



US00D336702S

# United States Patent [19] Brethouwer

[11] Patent Number: Des. 336,702

[45] Date of Patent: \*\* Jun. 22, 1993

[54] COMPOST CONTAINER

[75] Inventor: Tijmen D. Brethouwer, Bennekom, Netherlands

[73] Assignee: N.V. Vuilafvoer Maatschappij VAM, Amsterdam, Netherlands

[\*\*] Term: 14 Years

[21] Appl. No.: 677,443

[22] Filed: Mar. 22, 1991

[52] U.S. Cl. .... D34/1; D34/7

[58] Field of Search ..... D34/1-11;  
220/908, DIG. 13, DIG. 27; 52/192, 245,  
169.5; 71/9; 47/83, 82

[56] **References Cited**

**U.S. PATENT DOCUMENTS**

- D. 248,611 7/1978 Dingwall ..... D34/7
- D. 254,951 5/1980 Gedye ..... D34/1

- D. 258,258 2/1981 Haddock ..... D34/7
- D. 269,046 5/1983 Faul ..... D34/4
- 4,060,945 12/1977 Wilson ..... 52/245

*Primary Examiner*—Kay H. Chin  
*Attorney, Agent, or Firm*—Foley & Lardner

[57] **CLAIM**

The ornamental design for a compost container, as shown and described.

**DESCRIPTION**

- FIG. 1 is a front perspective view of a compost container showing my dew design;
- FIG. 2 is a front elevational view thereof without the cover;
- FIG. 3 is a right side elevational view thereof without the cover;
- FIG. 4 is a bottom plan view thereof;
- FIG. 5 is a top plan view thereof;
- FIG. 6 is a top plan view of the cover thereof; and,
- FIG. 7 is a front elevational view of the cover thereof.

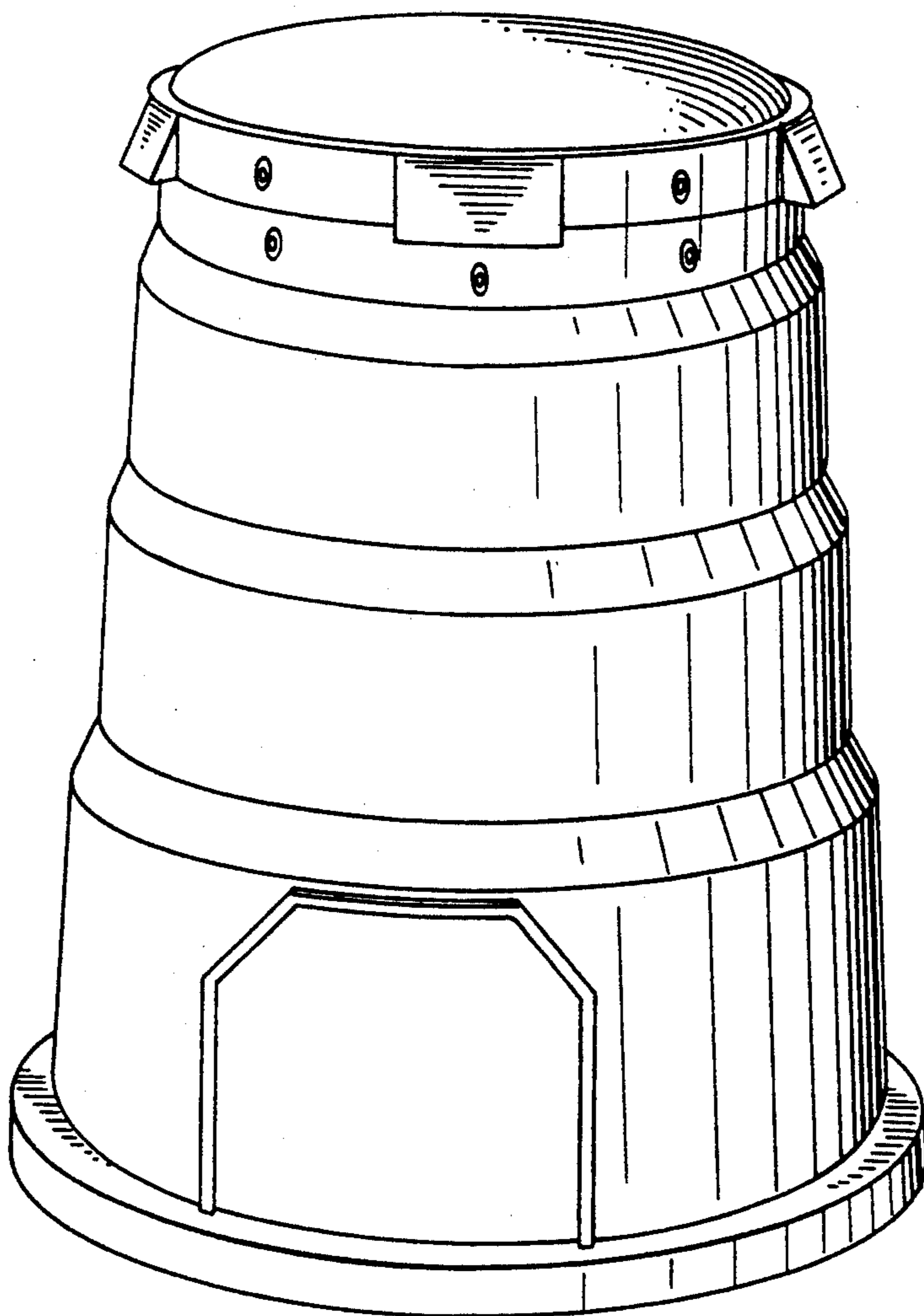


FIG. 1

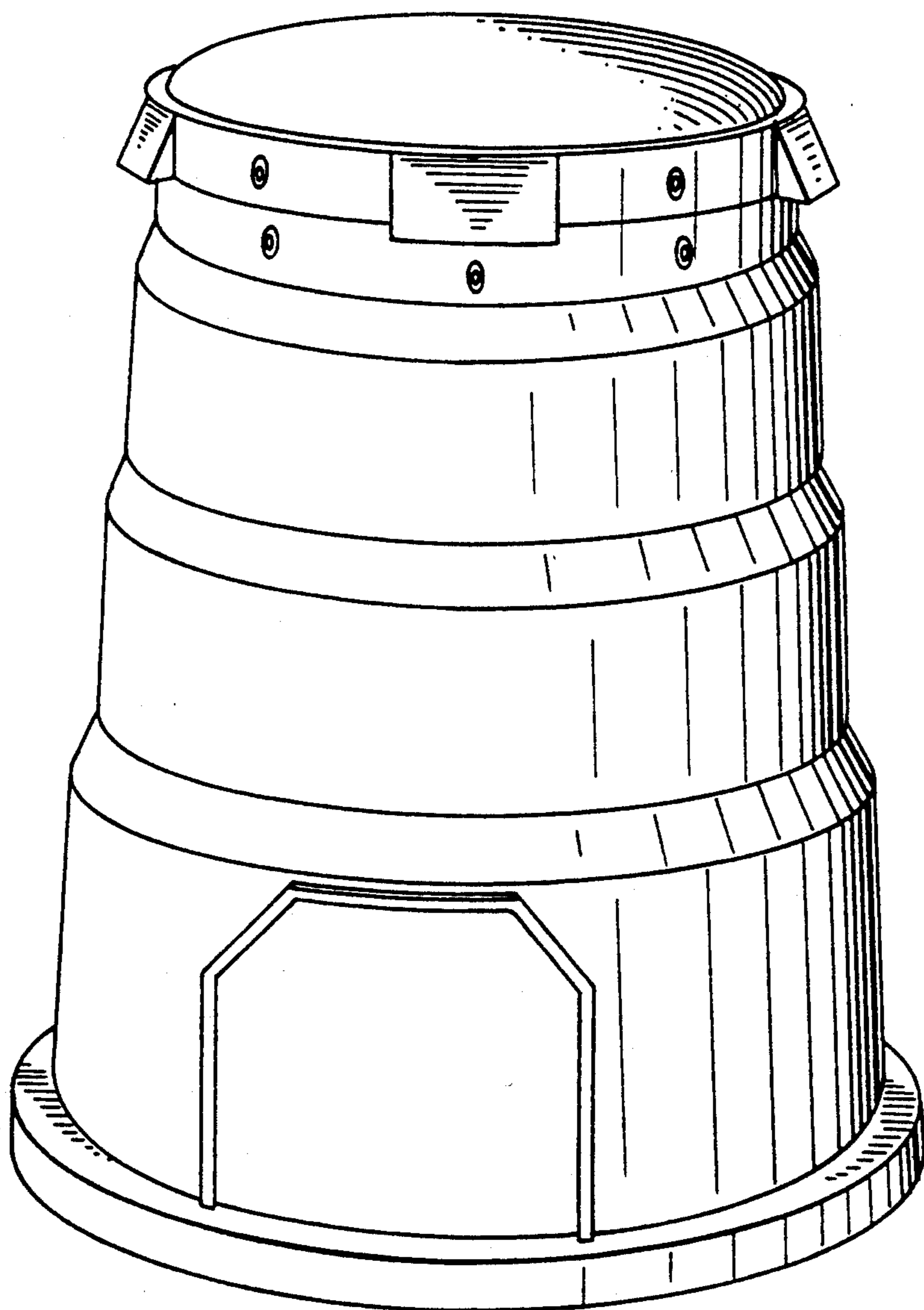


FIG. 3

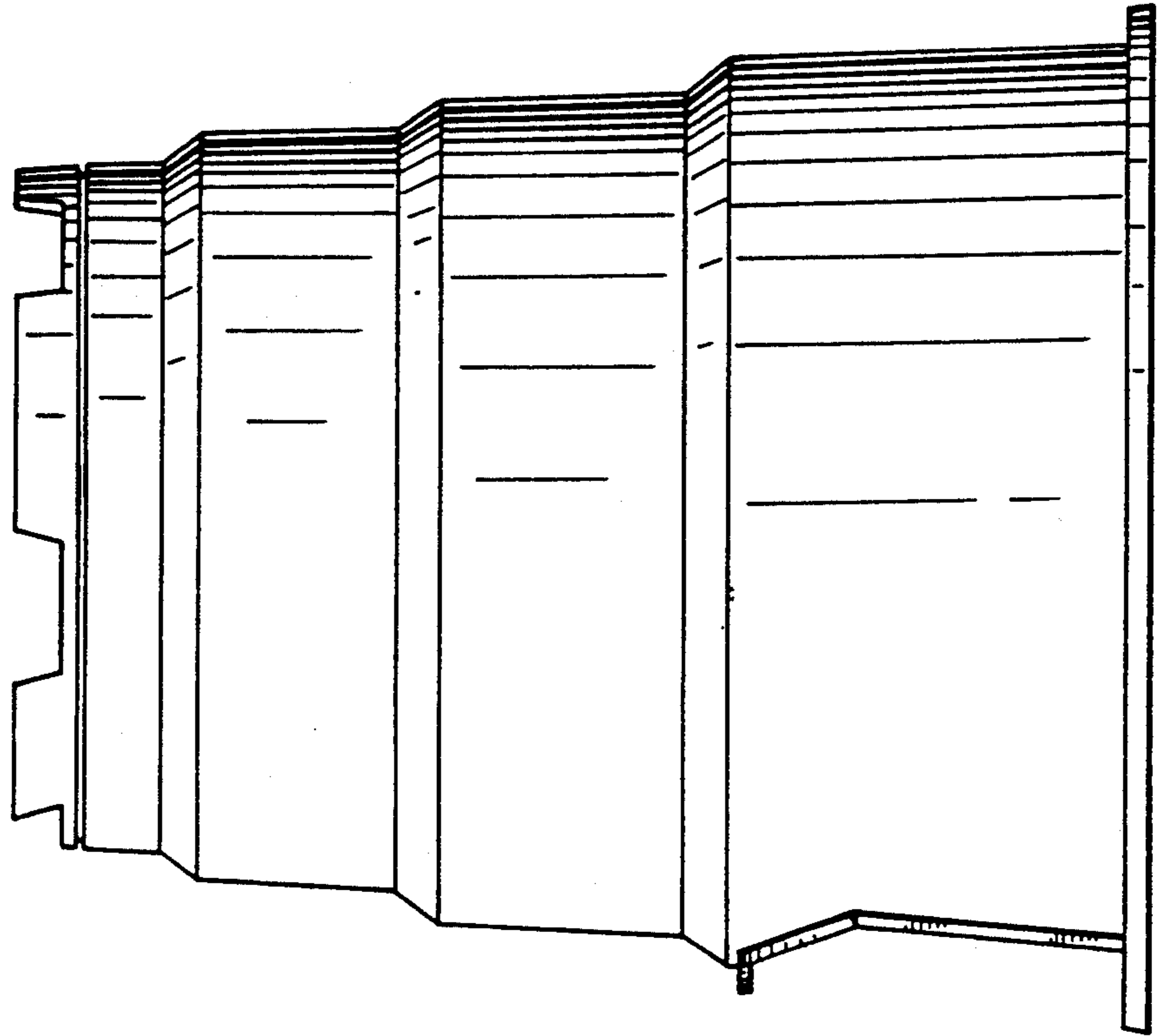


FIG. 2

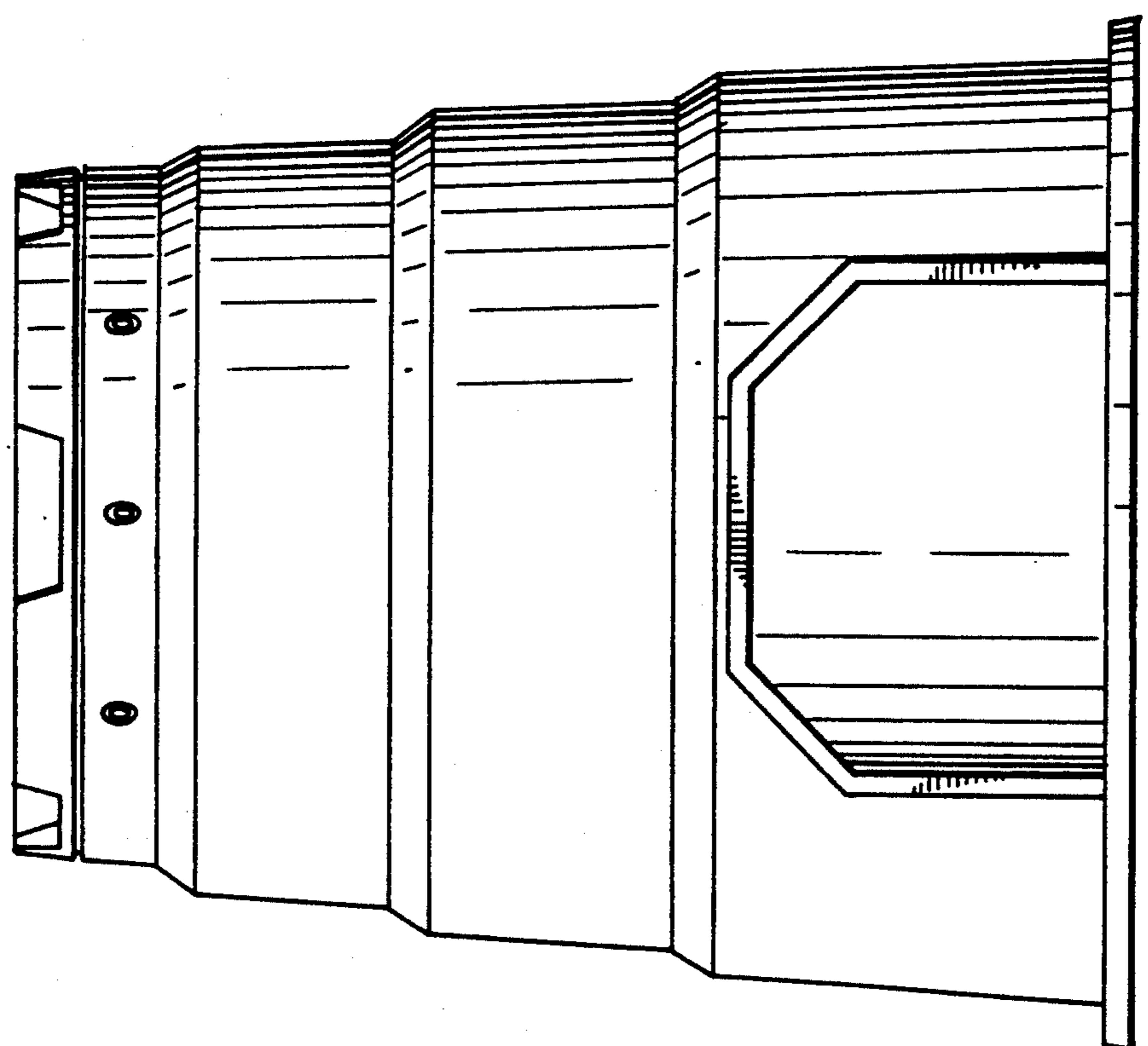




FIG. 4

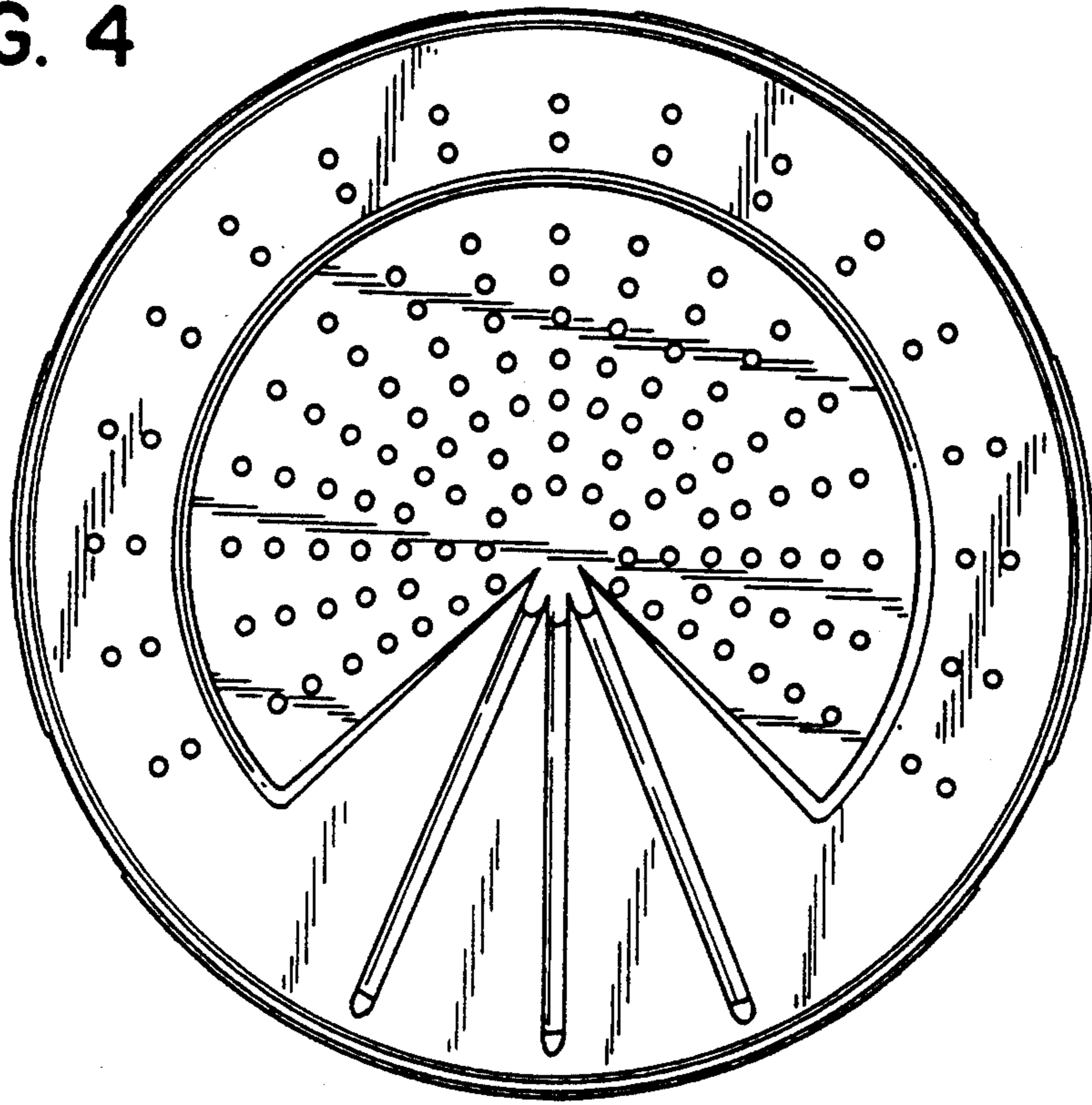


FIG. 5

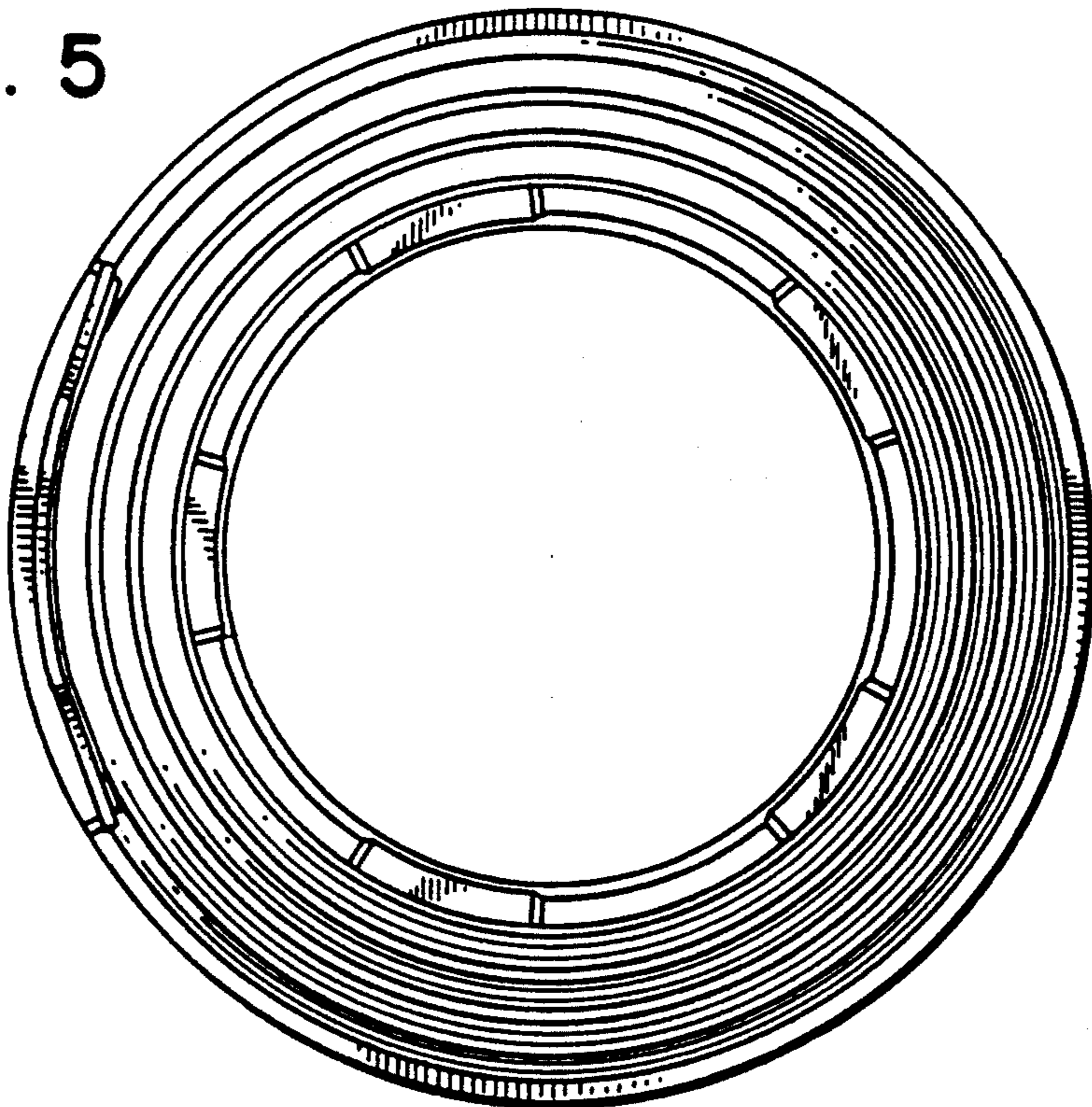


FIG. 6

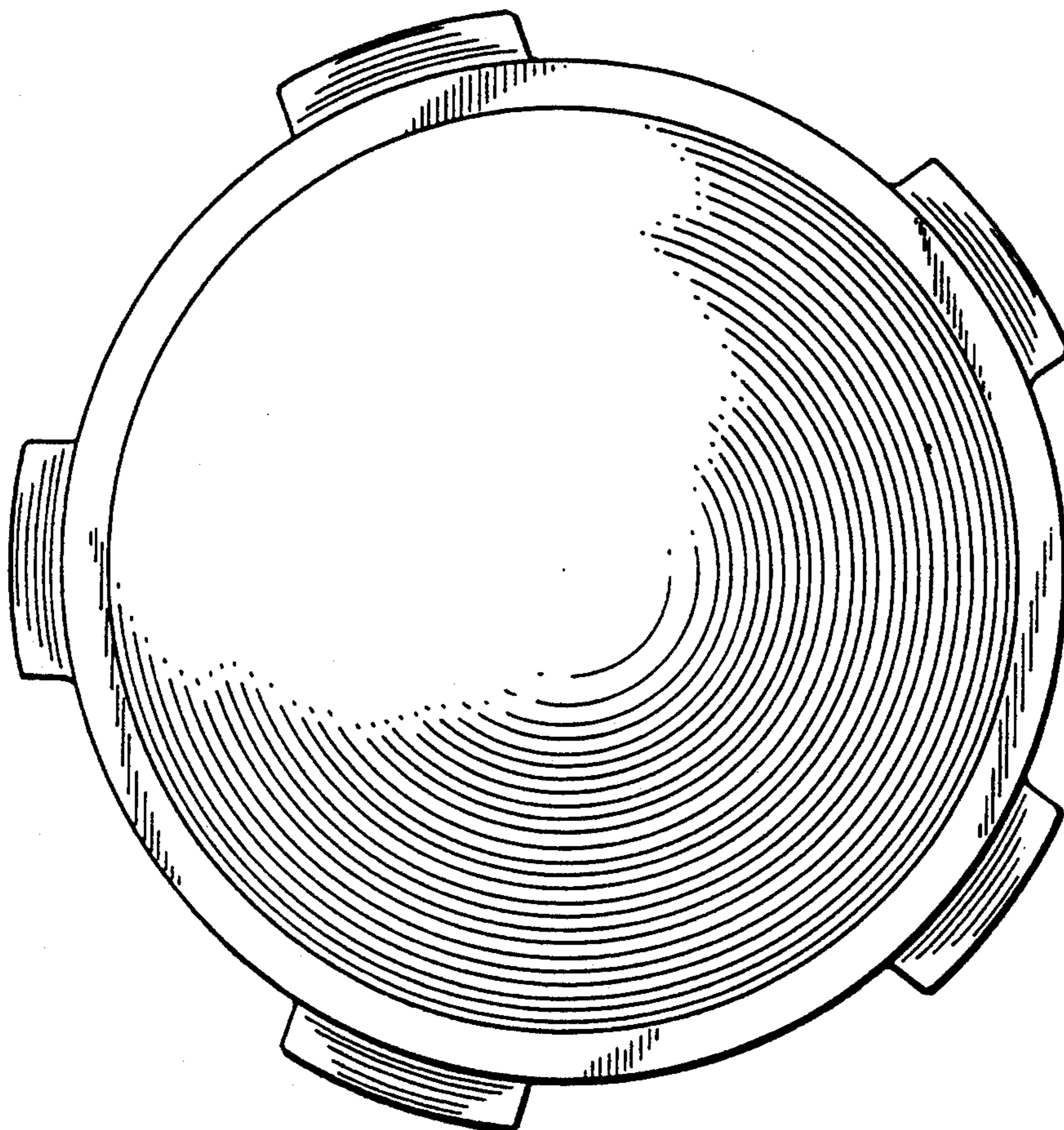


FIG. 7

