



US00D336700S

# United States Patent [19] Riemann

[11] Patent Number: **Des. 336,700**  
[45] Date of Patent: **\*\* Jun. 22, 1993**

[54] **IRON SHOE**

[76] Inventor: **Mary Riemann**, P.O. Box 2571,  
Edison, N.J. 08818

[\*\*] Term: **14 Years**

[21] Appl. No.: **605,027**

[22] Filed: **Oct. 29, 1990**

[52] U.S. Cl. .... **D32/71**

[58] Field of Search ..... **D32/71, 73; 38/81, 94,  
38/96-97**

[56] **References Cited**

**U.S. PATENT DOCUMENTS**

2,142,032	12/1938	Matsen .....	38/97
2,750,697	6/1956	Jacobson .....	38/97
2,876,565	3/1959	Jacobson .....	38/97
3,142,916	8/1964	Jacobson .....	38/97
3,318,029	5/1967	Jacobson .....	38/97
3,404,471	10/1968	Wilsker et al. ....	38/97
4,209,921	7/1980	Kochauf .....	38/97

*Primary Examiner*—Wallace R. Burke  
*Assistant Examiner*—Lavone D. Tabor

*Attorney, Agent, or Firm*—Mathews, Woodbridge & Collins

[57] **CLAIM**

The ornamental design for an iron shoe, as shown and described.

**DESCRIPTION**

FIG. 1 is a rear perspective view of an iron shoe showing my design;  
 FIG. 2 is a top plan view thereof;  
 FIG. 3 is a right side elevational view thereof;  
 FIG. 4 is a left side elevational view thereof;  
 FIG. 5 is a bottom plan view thereof;  
 FIG. 6 is a front elevational view thereof;  
 FIG. 7 is a rear elevational view thereof; and,  
 FIG. 8 is a rear perspective view of a second embodiment of the design shown in FIGS. 1-7, the only difference residing in the fact that the left side of the flapped top overlaps the right side, the appearance of the chain, and the appearance of the chains attaching means and the manner in which the chain is attached to the body of the shoe.  
 The broken line showing of an iron in FIG. 4 is for illustrative purposes only and forms no part of the claimed design.

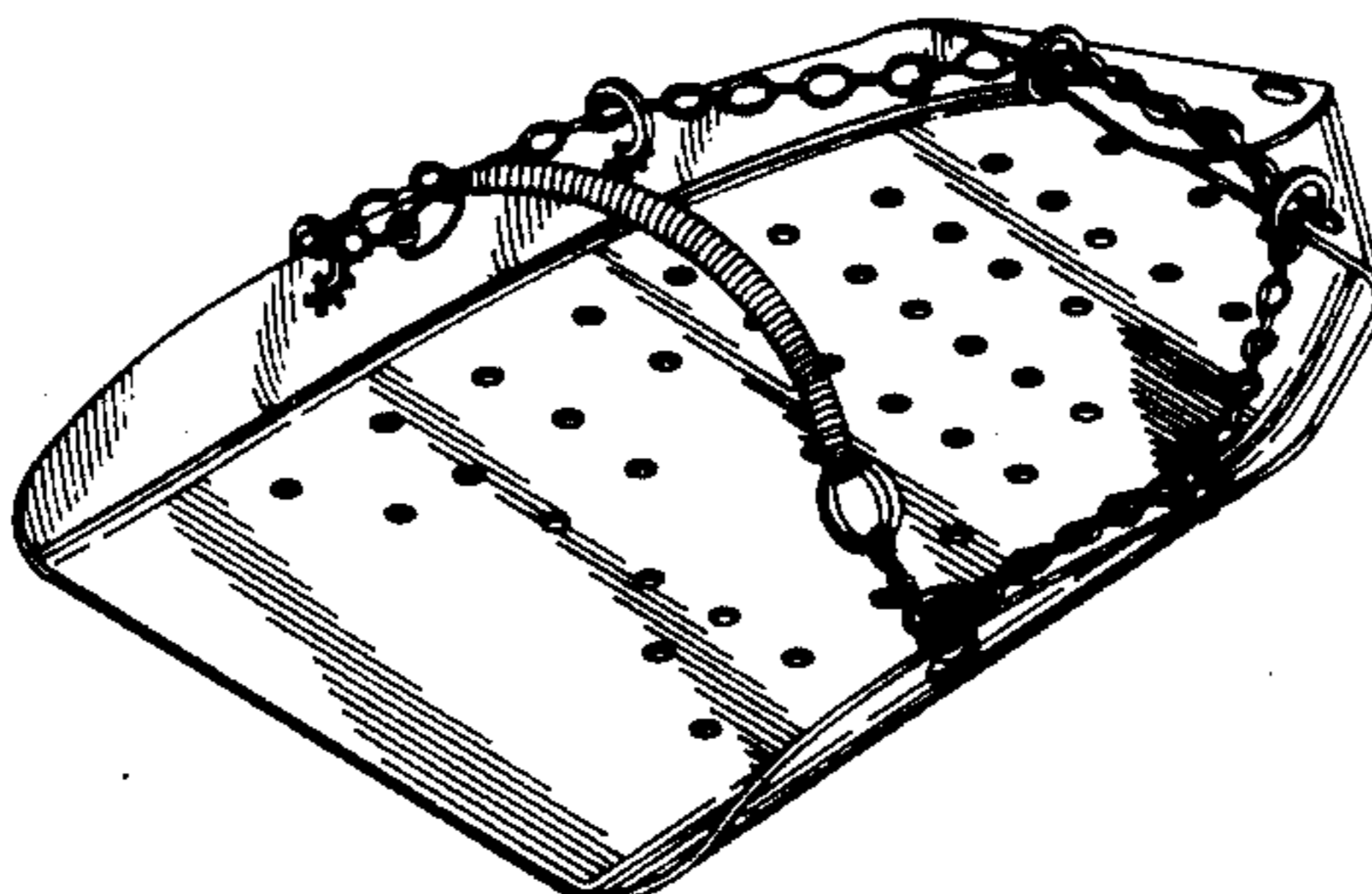
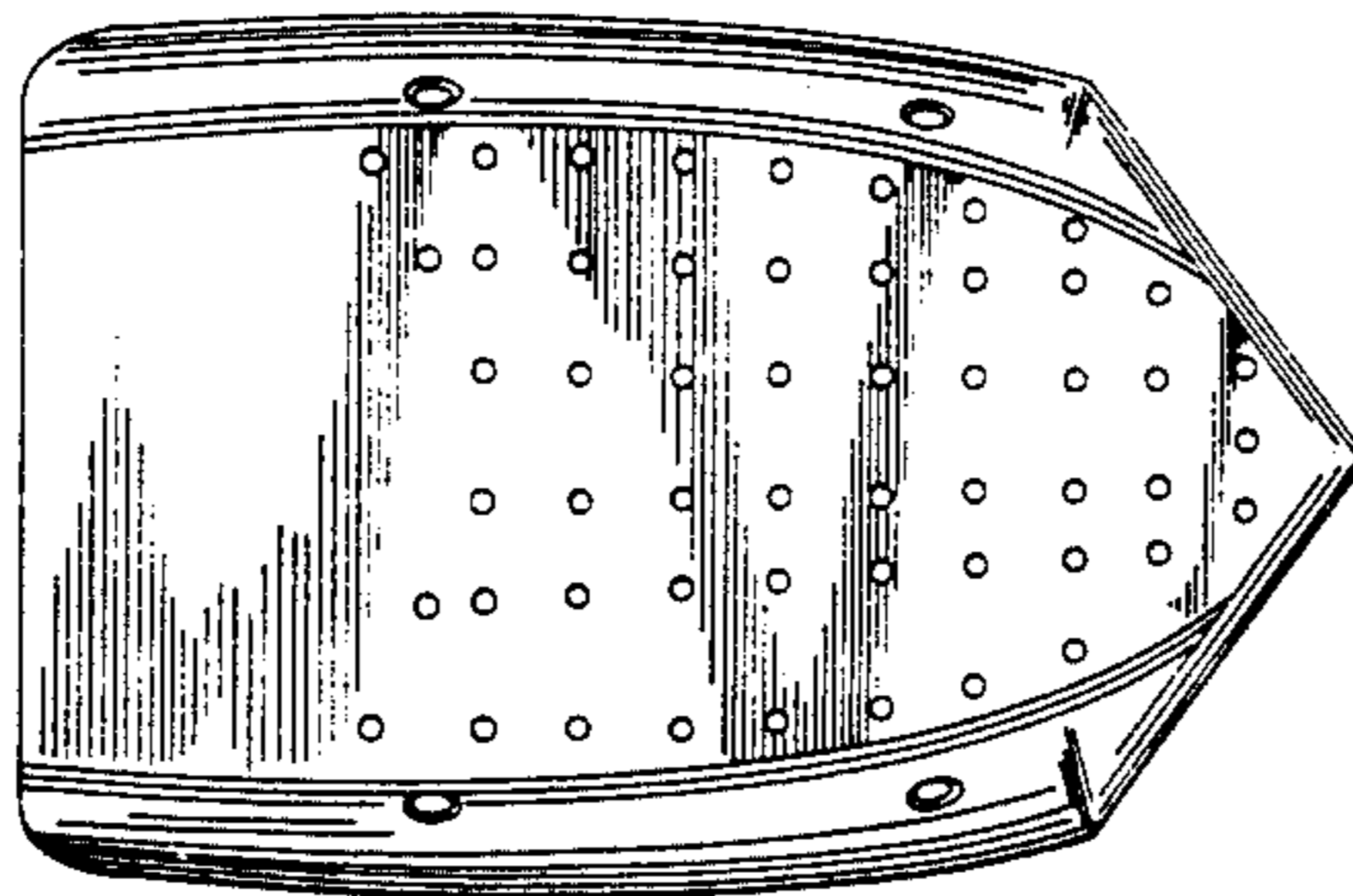
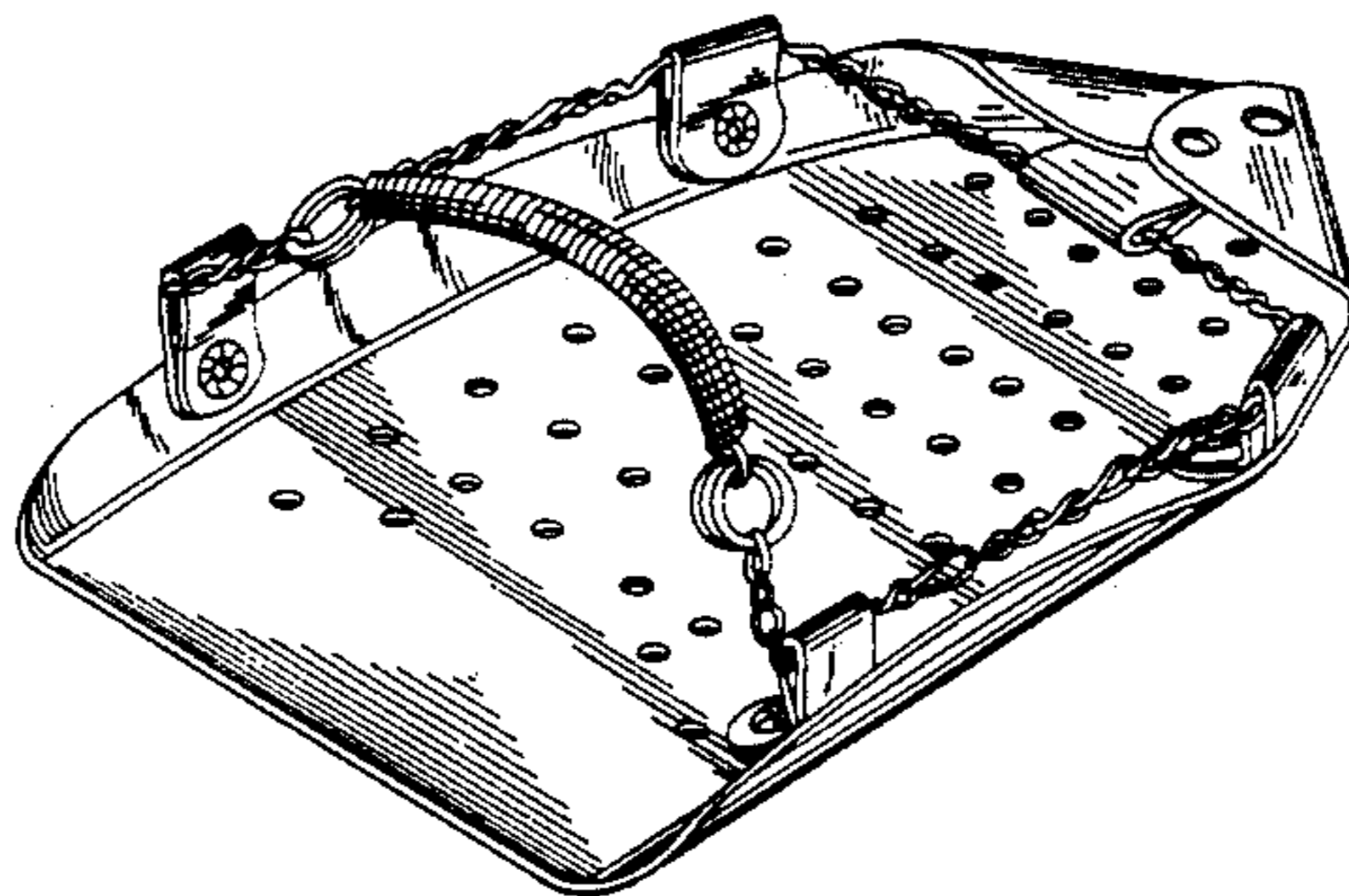


FIG. 1

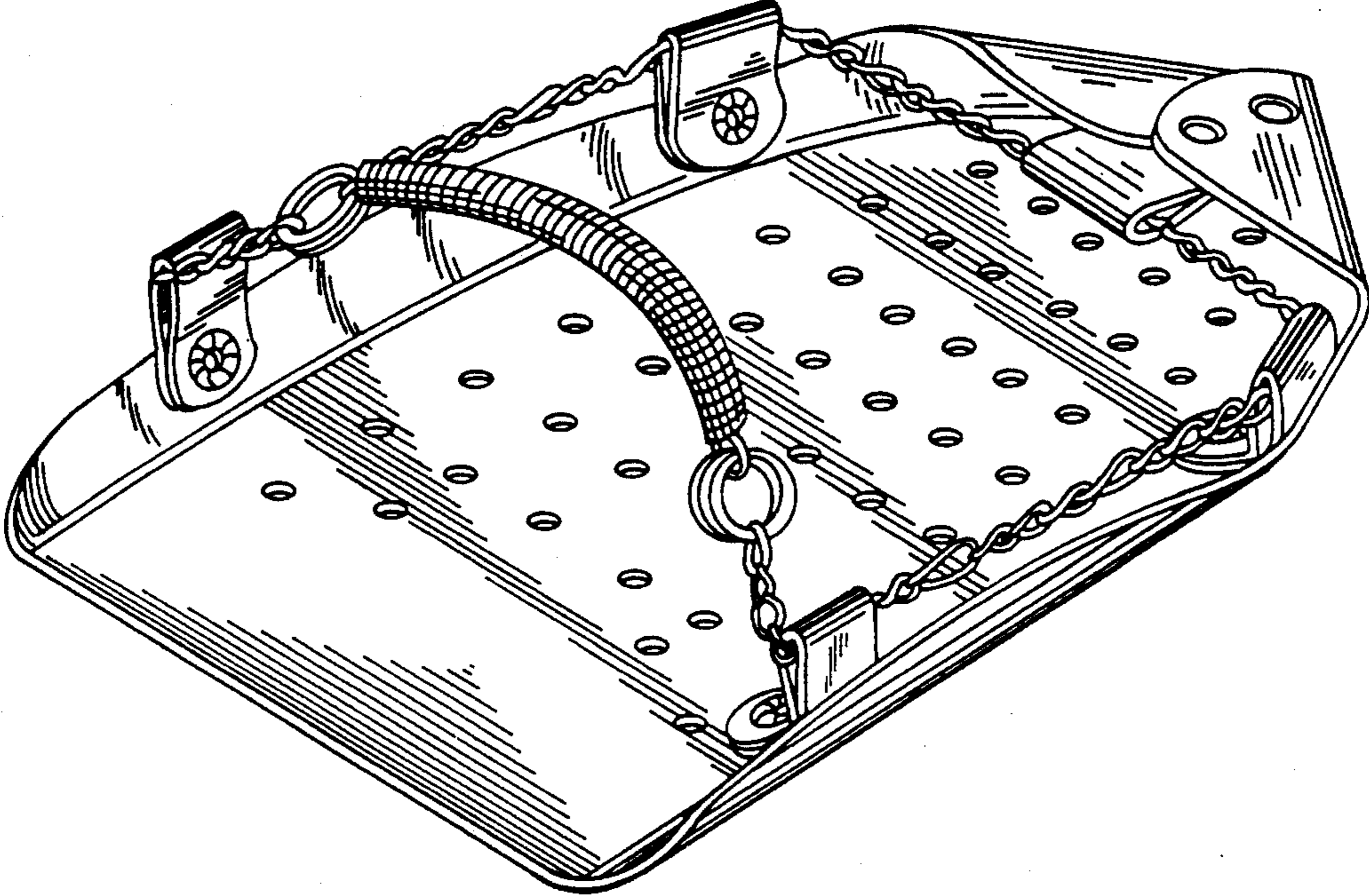


FIG. 2

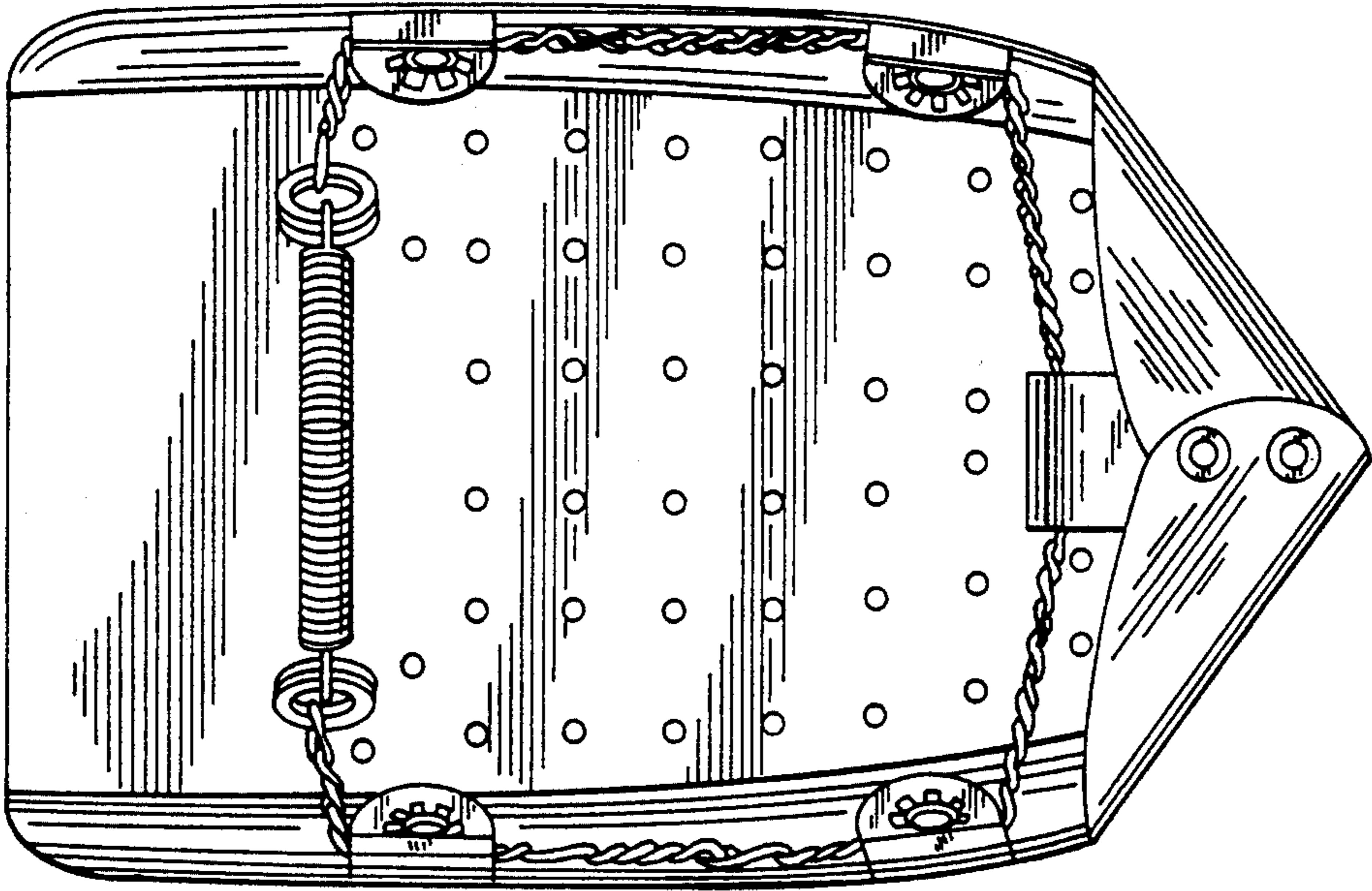
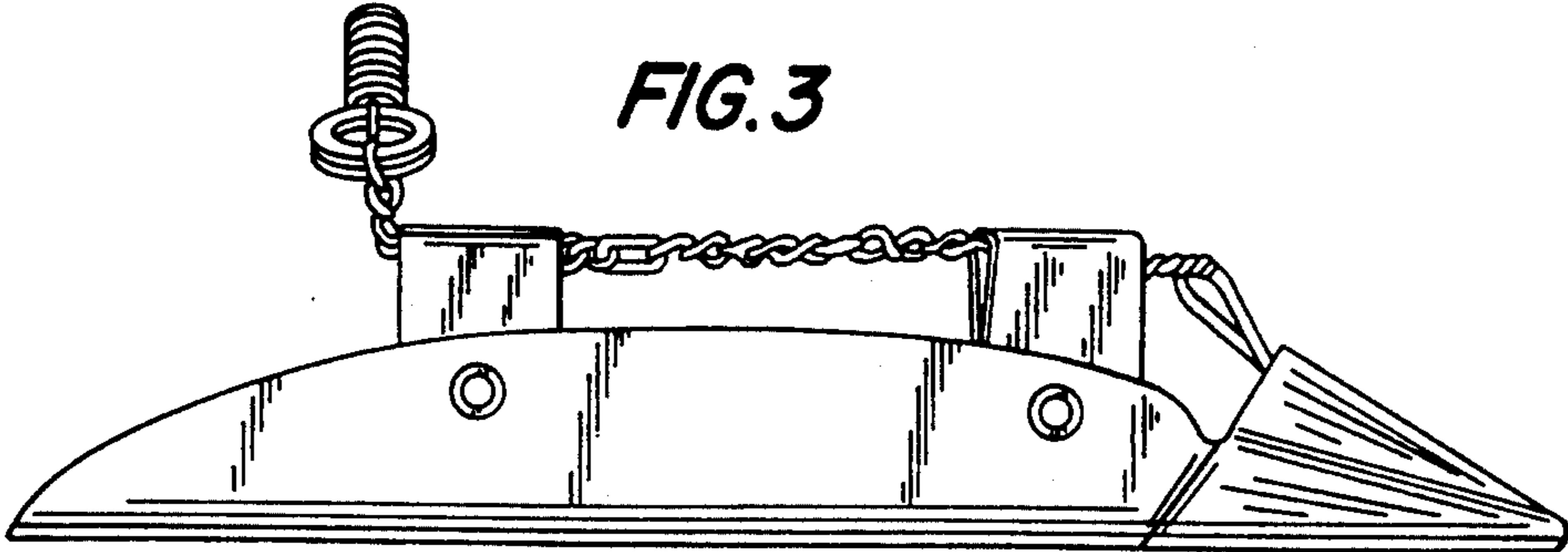
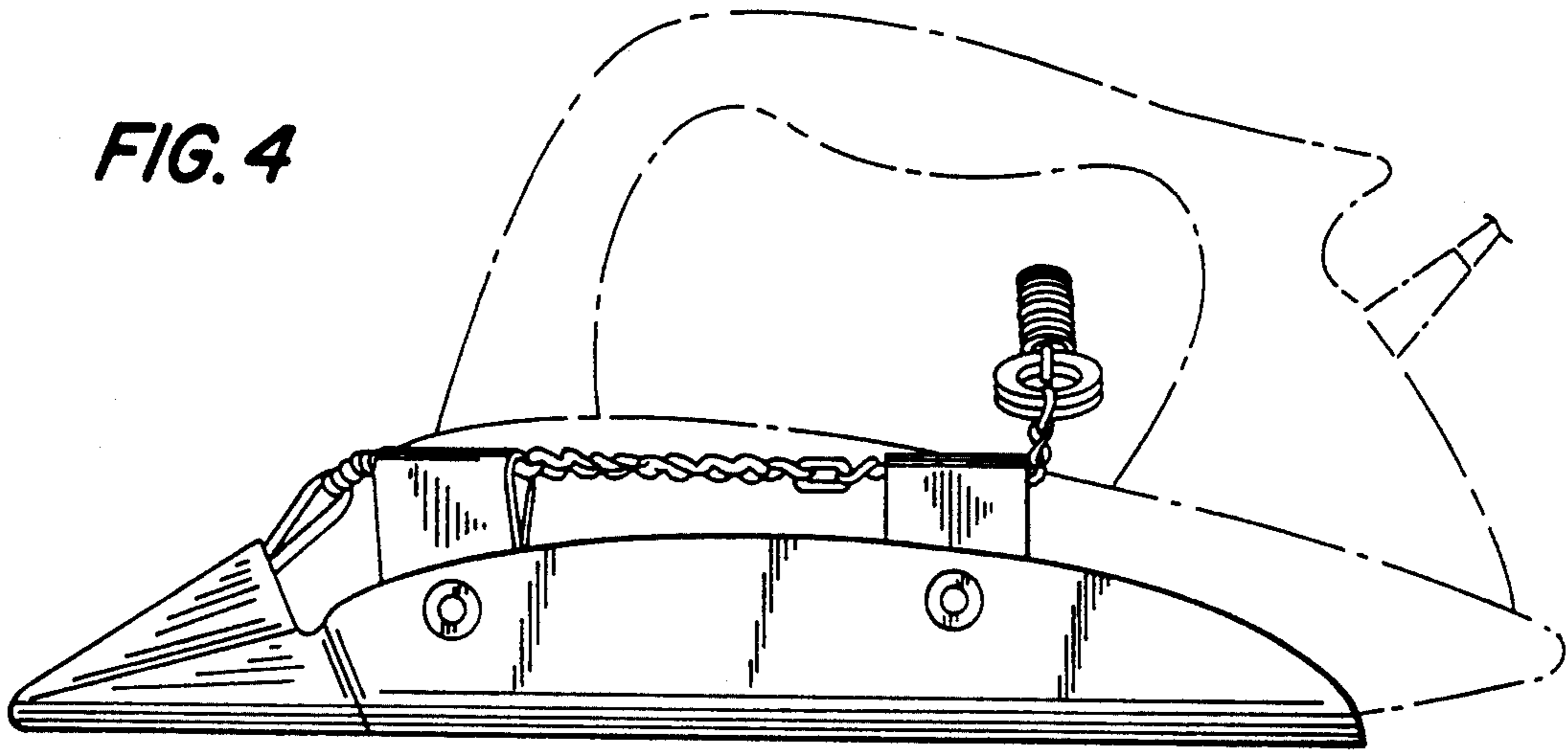


FIG. 3

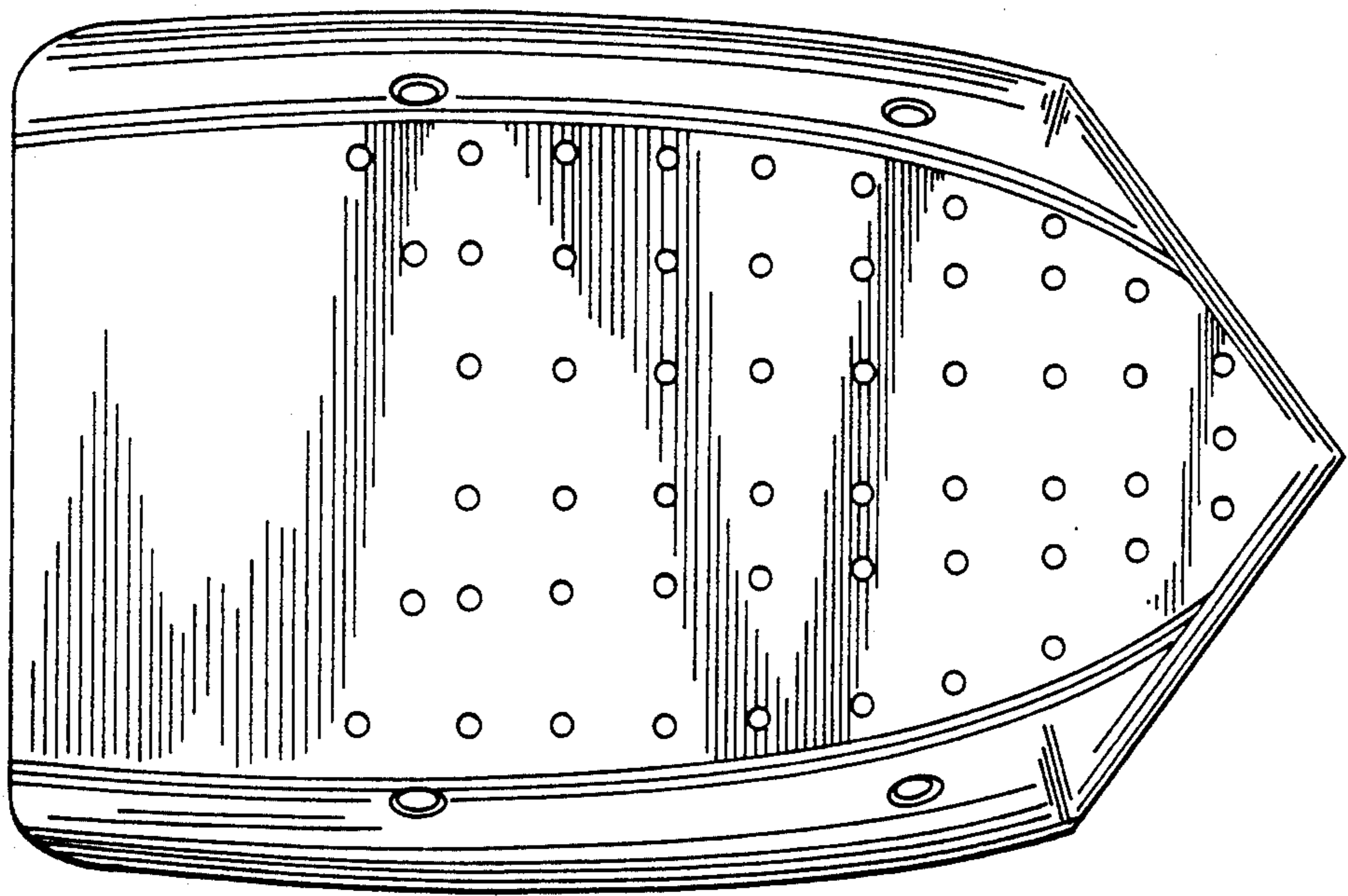




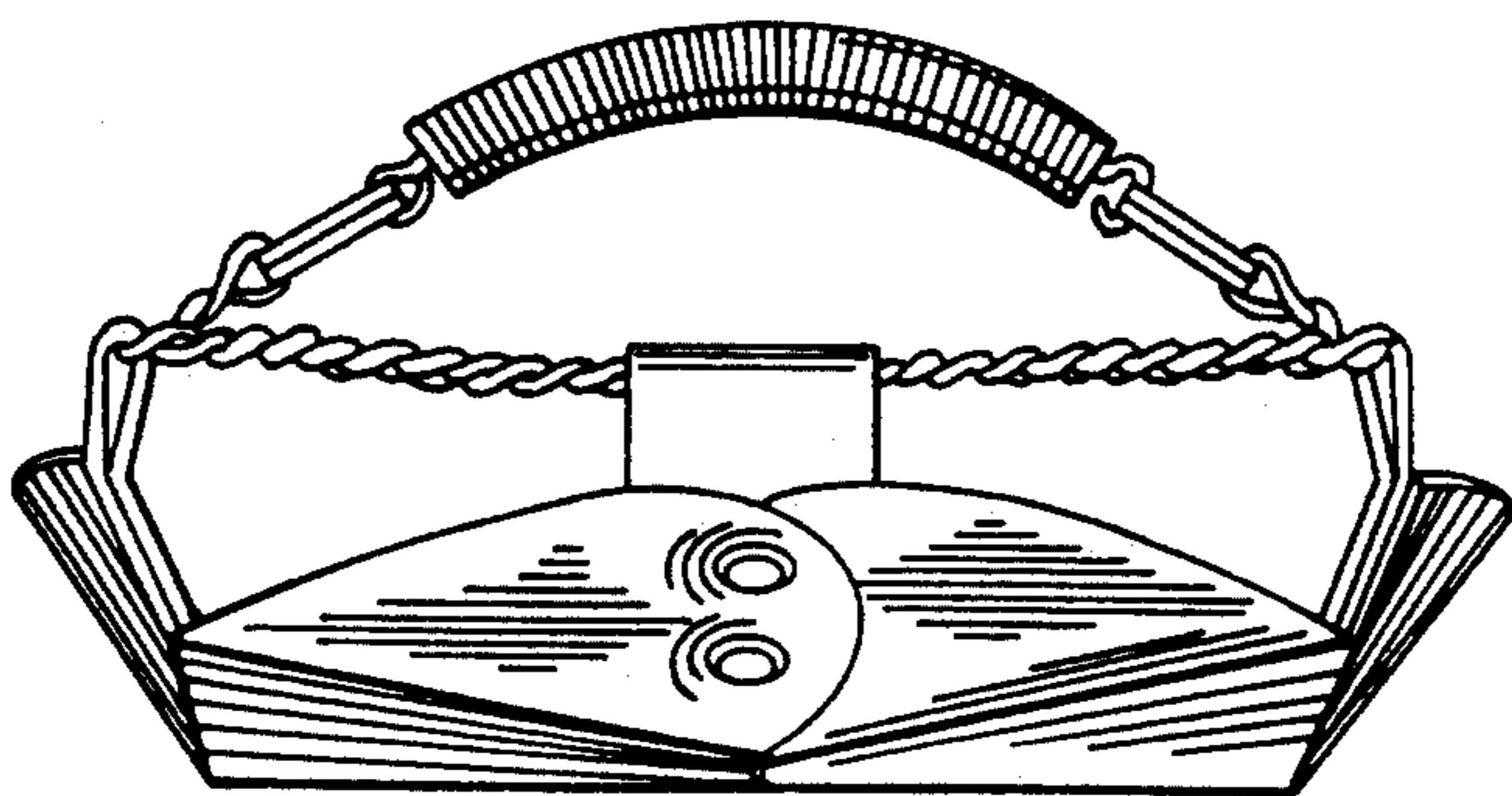
**FIG. 4**



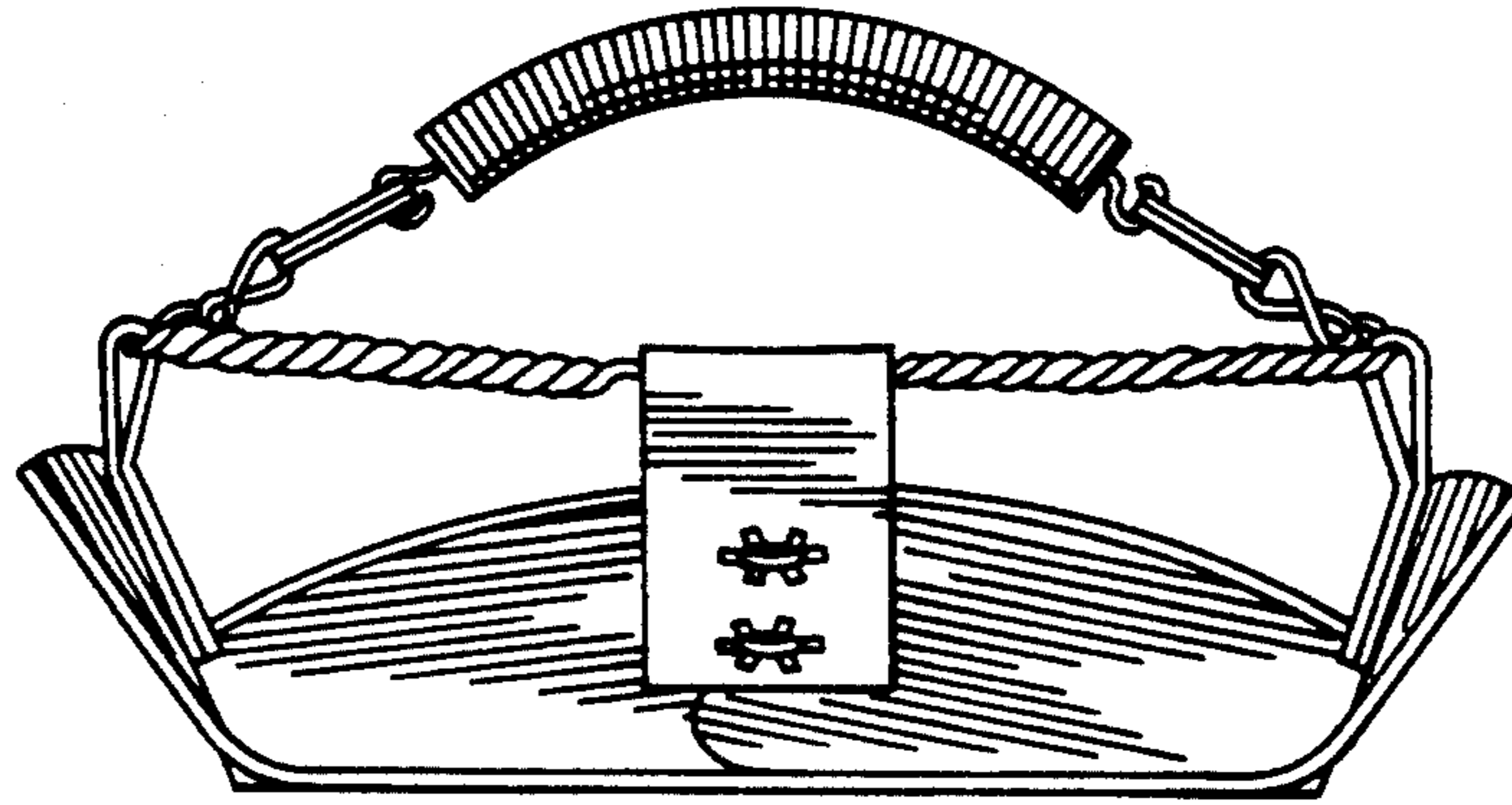
**FIG. 5**



**FIG. 6**



**FIG. 7**



**FIG. 8**

