



US00D336699S

United States Patent [19] Murphy

[11] Patent Number: **Des. 336,699**
[45] Date of Patent: **** Jun. 22, 1993**

- [54] SPONGE MOP
- [75] Inventor: **Kent W. Murphy, Wooster, Ohio**
- [73] Assignee: **Rubbermaid Incorporated, Wooster, Ohio**
- [**] Term: **14 Years**
- [21] Appl. No.: **548,727**
- [22] Filed: **Jul. 2, 1990**
- [52] U.S. Cl. **D32/44**
- [58] Field of Search **D32/40, 44, 50-52; 15/115, 116.1-116.2, 119 R, 119 A, 244.1-244.4**

- [56] **References Cited**
- U.S. PATENT DOCUMENTS**
- D. 199,178 9/1964 Cornell et al. D32/44
 - D. 205,442 8/1966 Tillinghast D32/44
 - 3,030,648 4/1962 Greenleaf 15/119 A
 - 3,188,676 6/1965 Zelinski et al. 15/119 A X

OTHER PUBLICATIONS

P. 18, Sparta Brush Co., Sparta Sanitary Supply Cata-

log. Catalog #800, P.O. Box 317, Sparta, Wis. 54656-0317. Publication date unknown.
Pp. 63 and 64, Rubbermaid Canada Inc., Consumer Products Division, 2562 Stanfield Road, Mississauga, Ontario, Canada L4V 155. Publication date 1989.

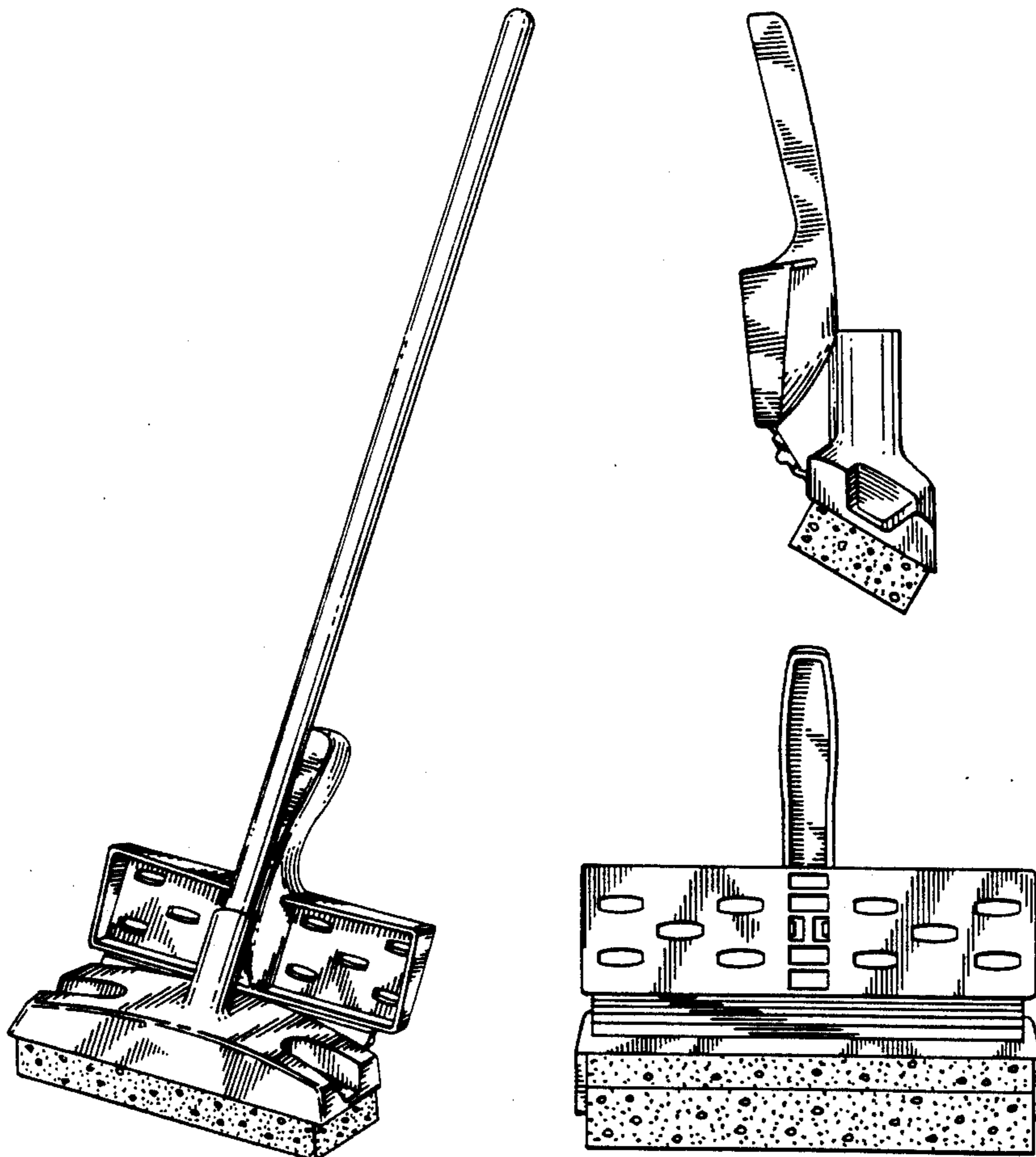
Primary Examiner—Wallace R. Burke
Assistant Examiner—Lavone D. Tabor
Attorney, Agent, or Firm—Richard B. O'Planick

[57] CLAIM

The ornamental design for a sponge mop, shown and described.

DESCRIPTION

FIG. 1 is a perspective view of a sponge mop showing my new design, the undisclosed sides of the handle being unornamented;
FIG. 2 is an enlarged perspective view thereof shown without the handle for clarity of illustration only;
FIG. 3 is a top plan view thereof;
FIG. 4 is a bottom plan view thereof, the mop being positioned at a forward tilt;
FIG. 5 is a left side elevational view thereof; the opposite side being a mirror image;
FIG. 6 is a front elevational view thereof; and,
FIG. 7 is a rear elevational thereof.



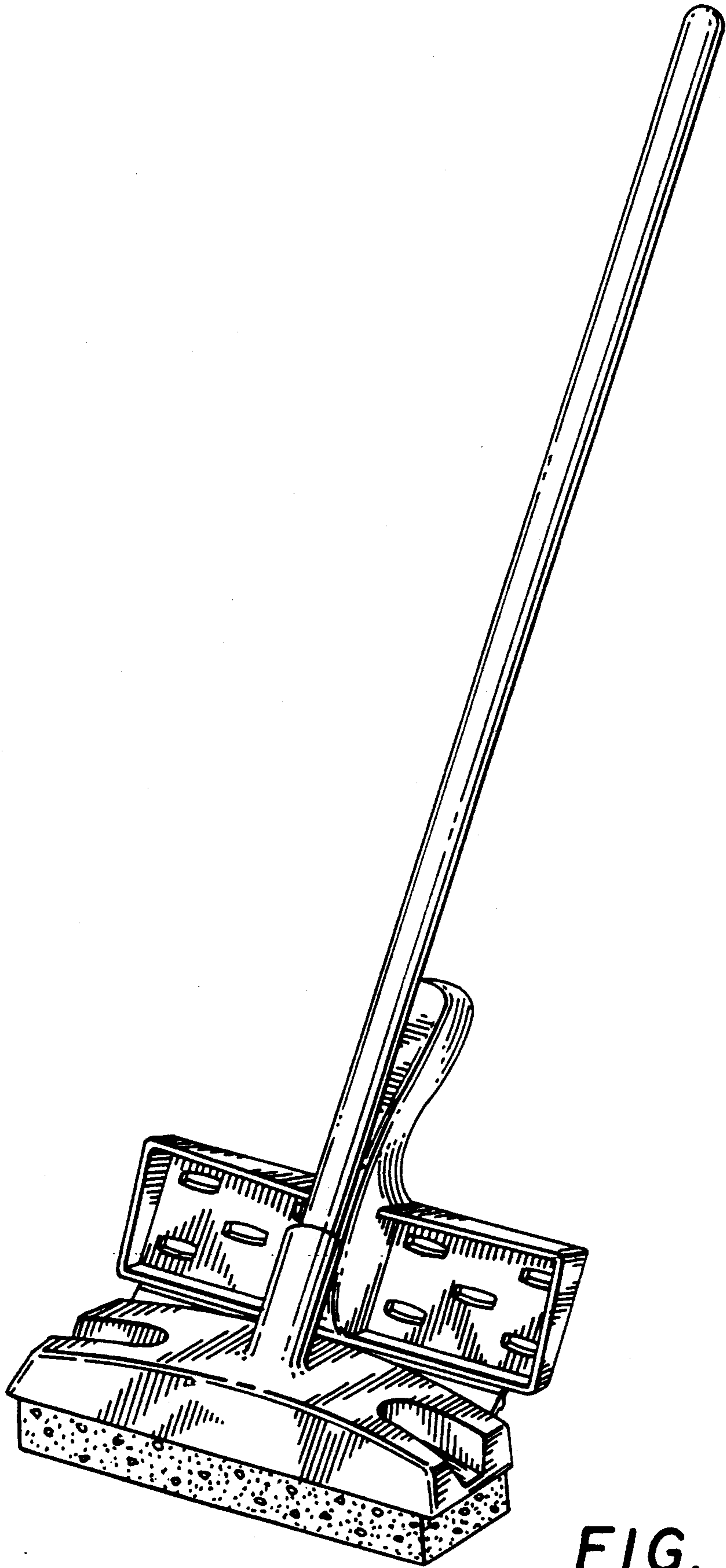


FIG. 1

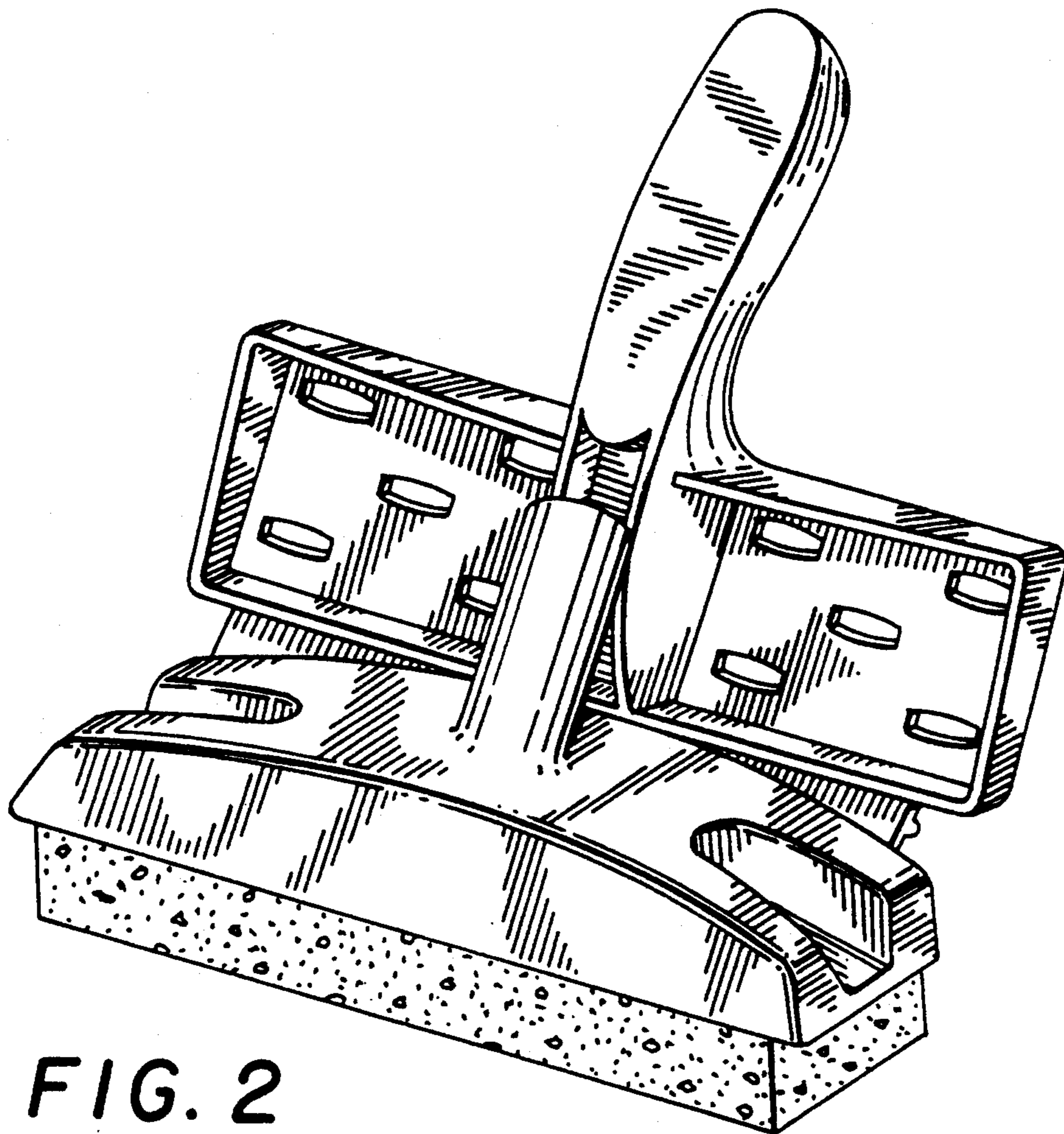


FIG. 2

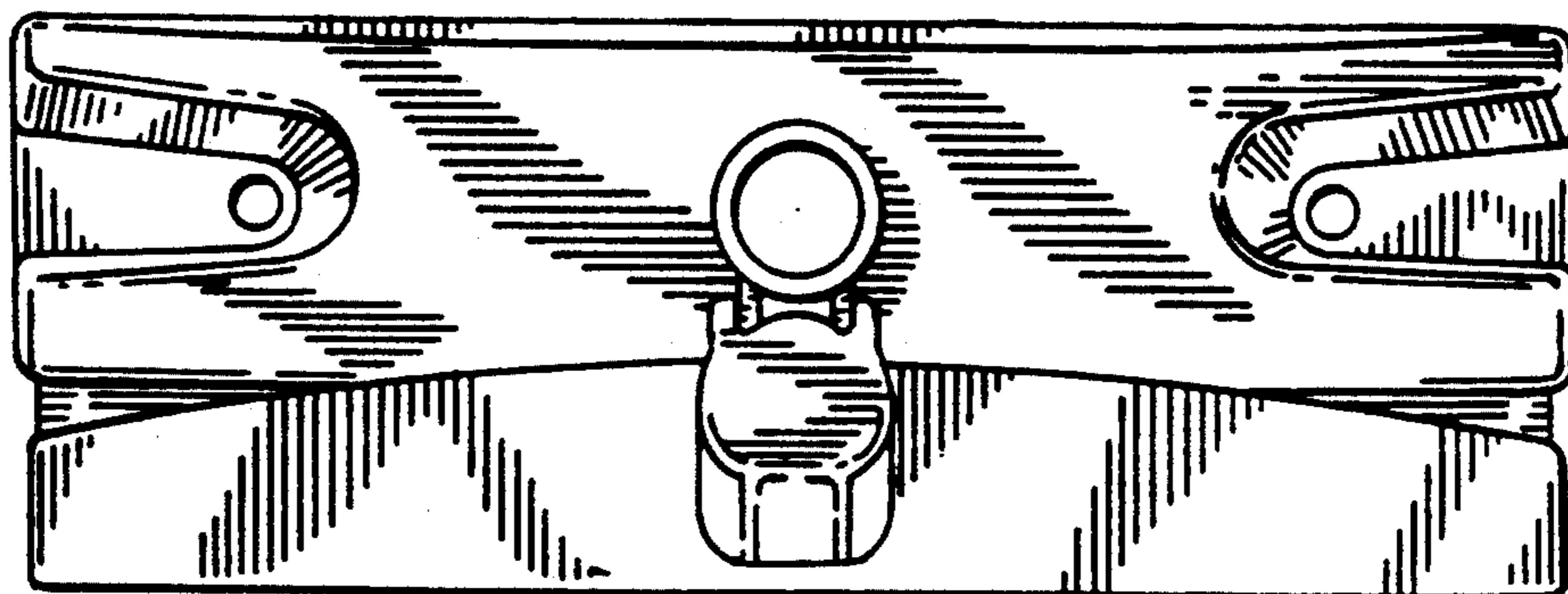


FIG. 3

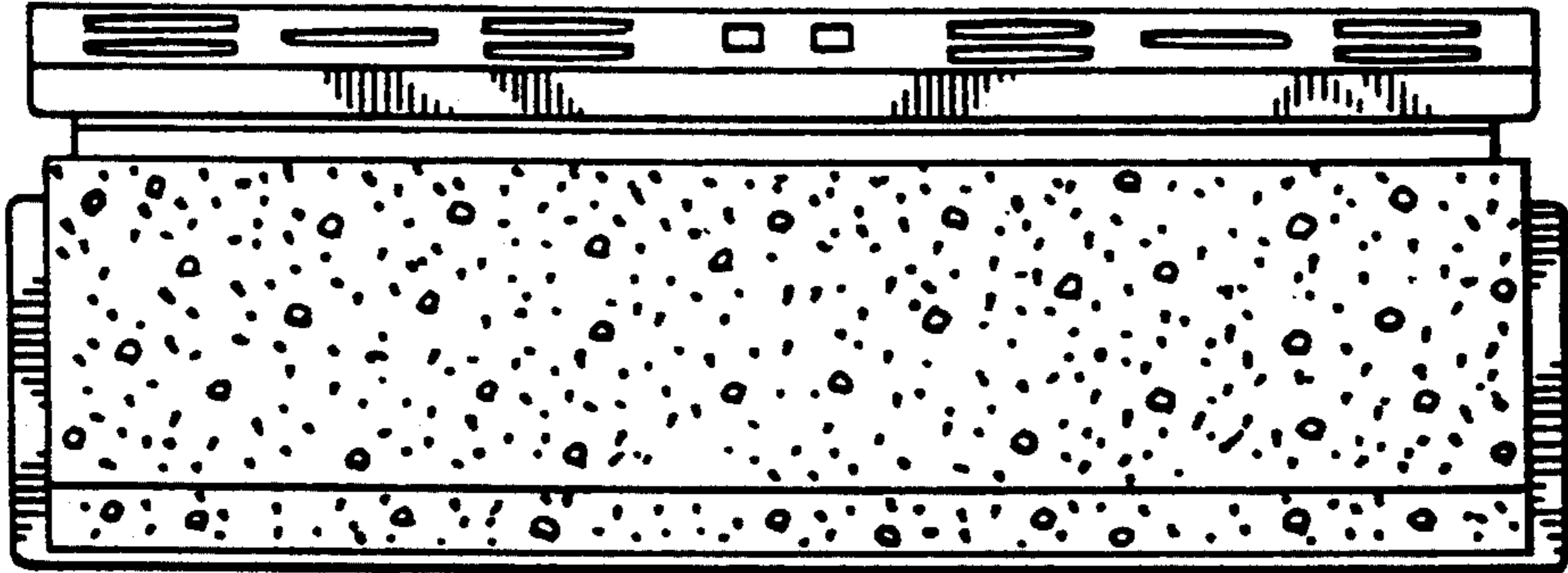


FIG. 4

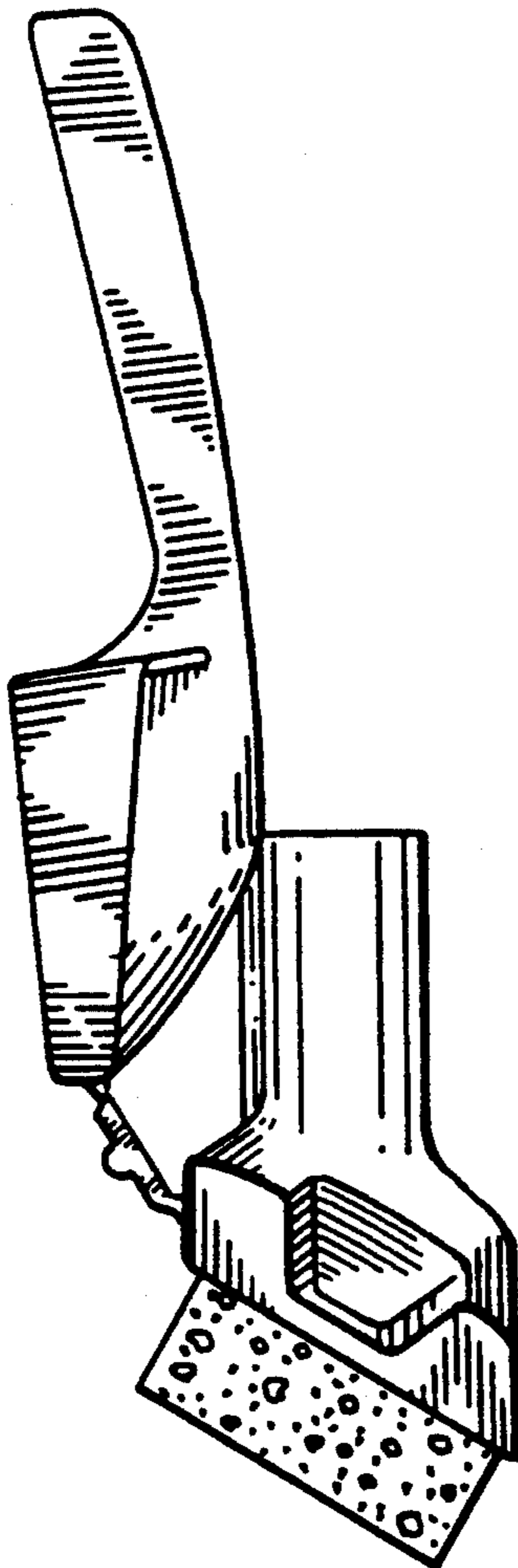


FIG. 5

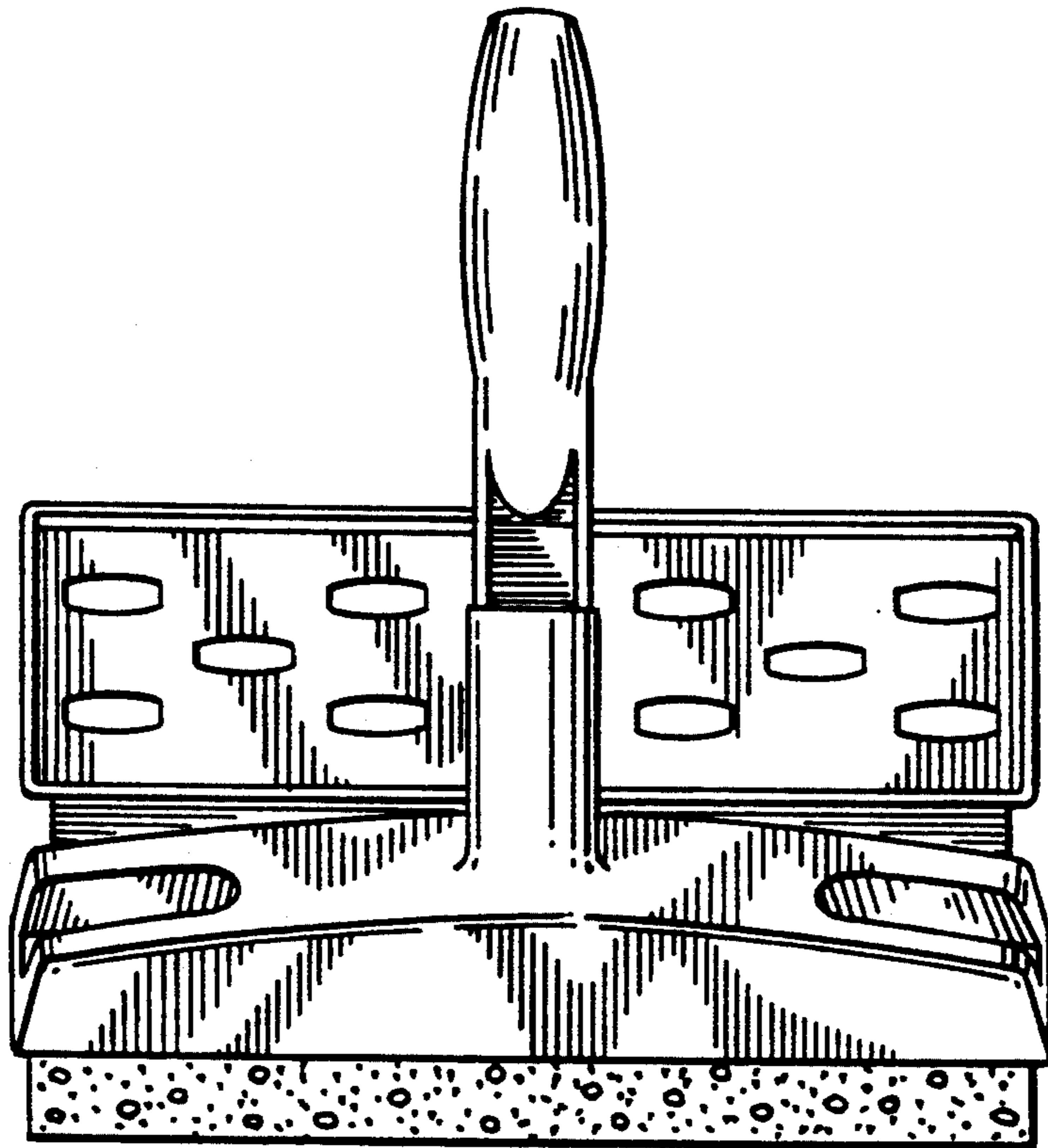


FIG. 6

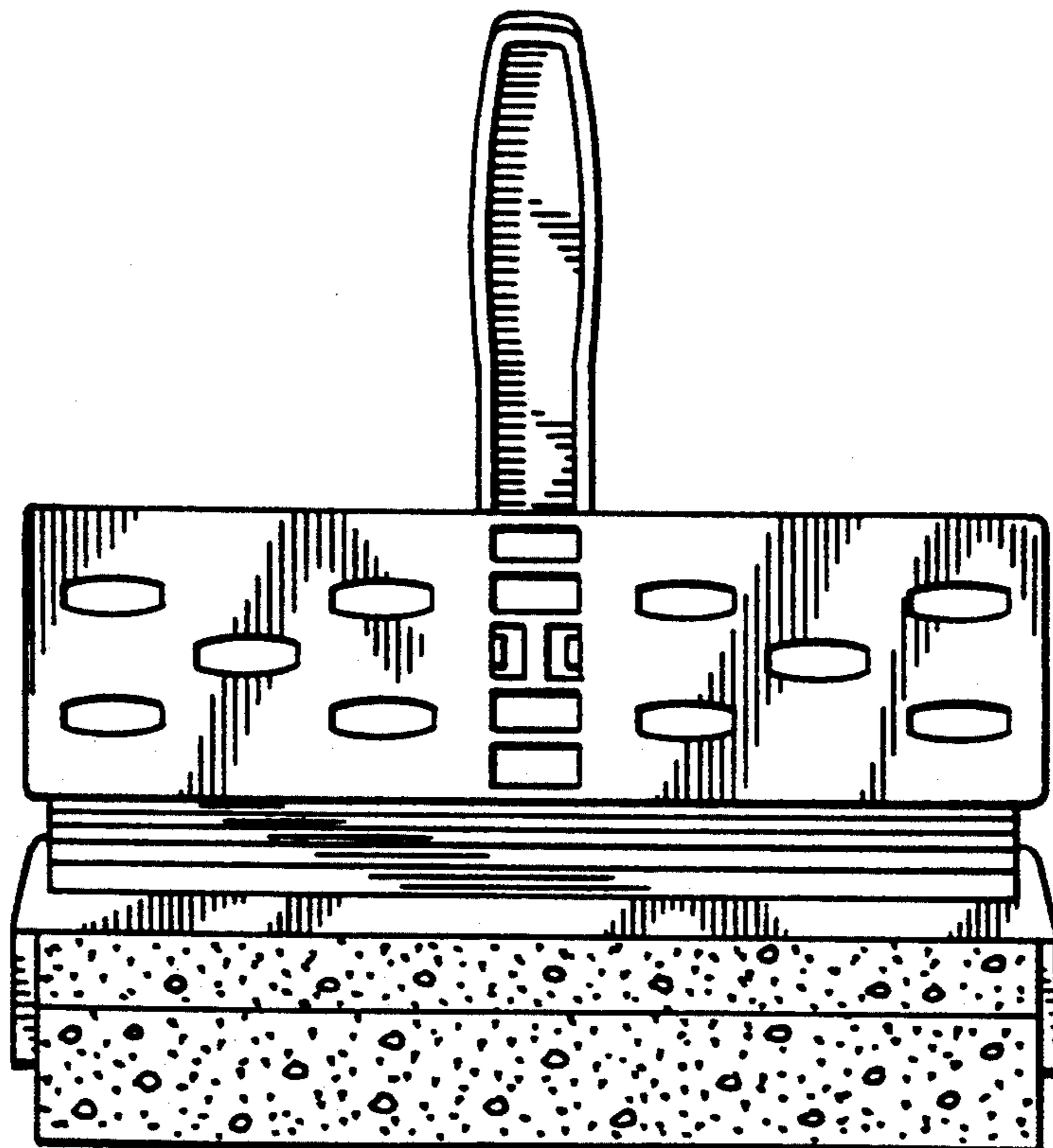


FIG. 7