



US00D336688S

United States Patent [19] Osterhout

[11] Patent Number: **Des. 336,688**
[45] Date of Patent: **** Jun. 22, 1993**

[54] **FLASHLIGHT**
[75] Inventor: **Ralph F. Osterhout**, San Francisco, Calif.
[73] Assignee: **Rayovac Corporation**, Madison, Wis.
[**] Term: **14 Years**
[21] Appl. No.: **659,580**
[22] Filed: **Feb. 22, 1991**
[52] U.S. Cl. **D26/46**
[58] Field of Search **D26/37-50;**
362/157, 158, 183-191, 196, 197, 198, 199, 200, 202, 205

4,250,539 2/1981 Leitzel et al. 362/196
4,524,409 6/1985 Yakubek 362/189
4,556,932 12/1985 Lehrer et al. 362/103
4,731,712 3/1588 Amthor 362/189
4,964,023 10/1990 Nishizawa et al. 362/100

Primary Examiner—Susan J. Lucas
Attorney, Agent, or Firm—Kenyon & Kenyon

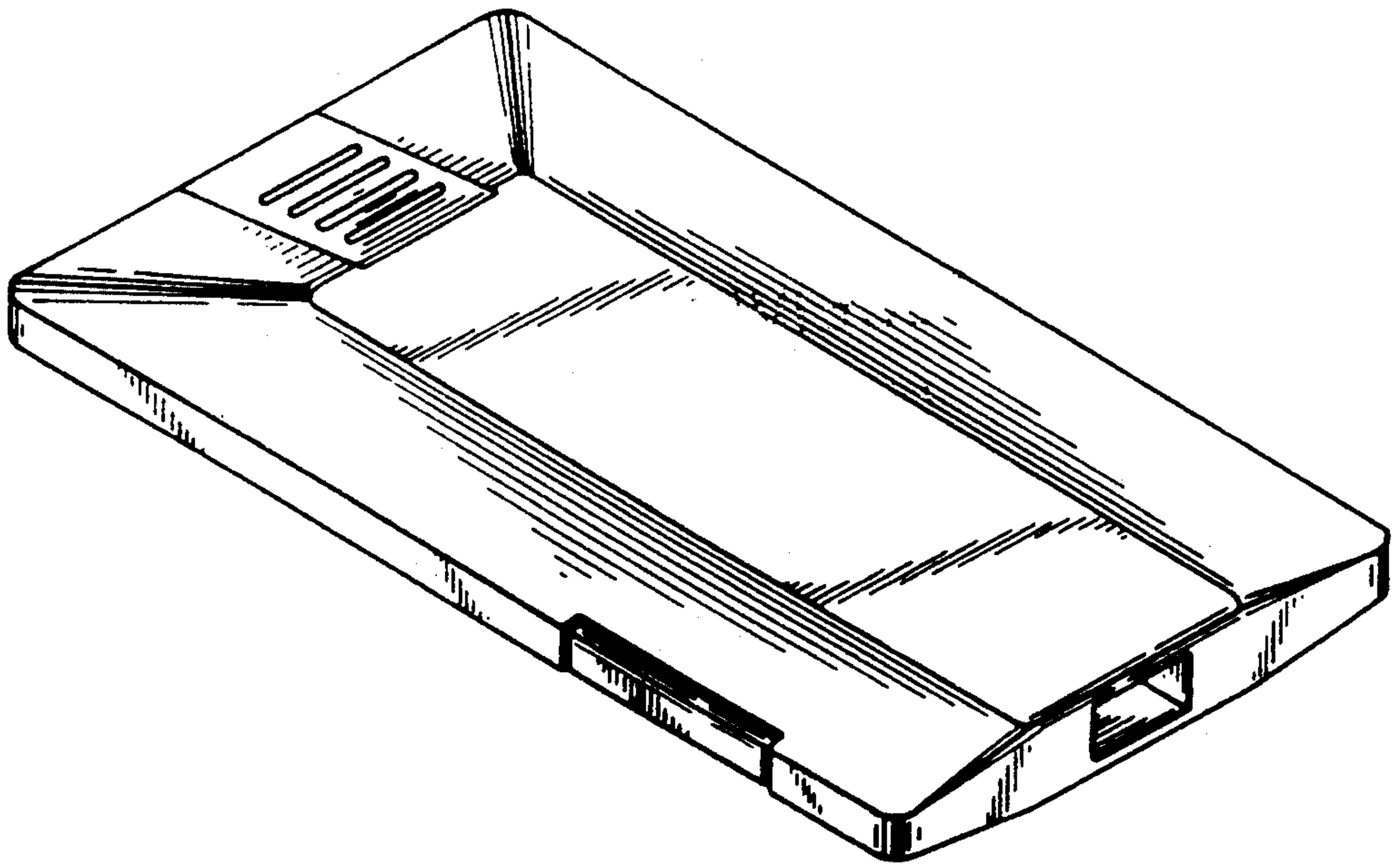
[57] CLAIM

The ornamental design for a flashlight, as shown and described.

DESCRIPTION

FIG. 1 is a top perspective view of a flashlight showing my new design;
FIG. 2 is a top plan view thereof;
FIG. 3 is a right side view thereof;
FIG. 4 is a left side view thereof;
FIG. 5 is a front end view thereof; and,
FIG. 6 is a rear end view thereof.
The bottom of the flashlight is identical to the top, as shown in FIG. 2.

[56] **References Cited**
U.S. PATENT DOCUMENTS
D. 217,925 6/1970 Stahel, II D26/46
D. 277,415 1/1985 Berger D26/46
D. 298,860 12/1988 Witte D26/46
2,089,897 8/1937 Judkins 362/200
2,591,112 4/1952 Zwierzynski 362/196



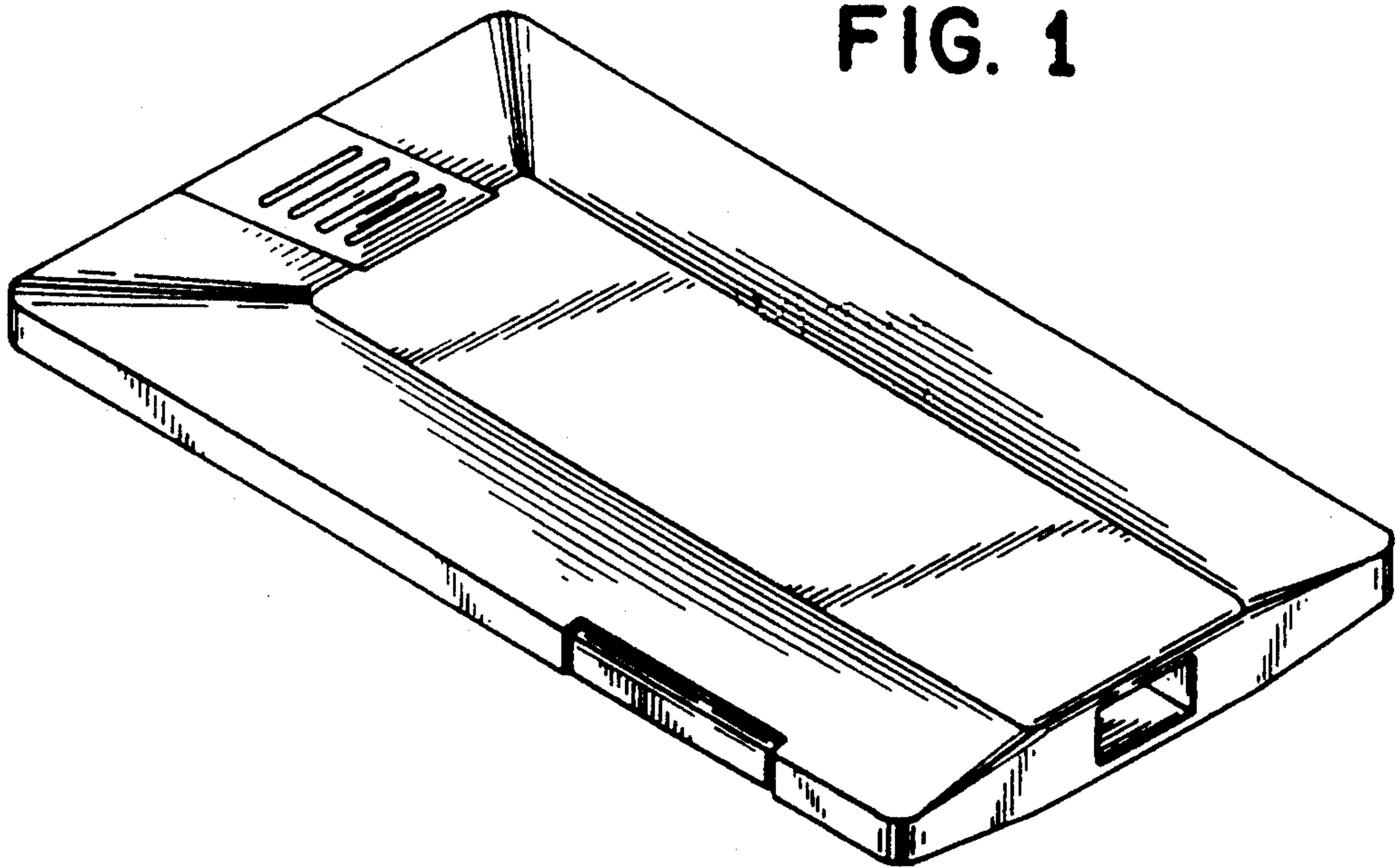


FIG. 2

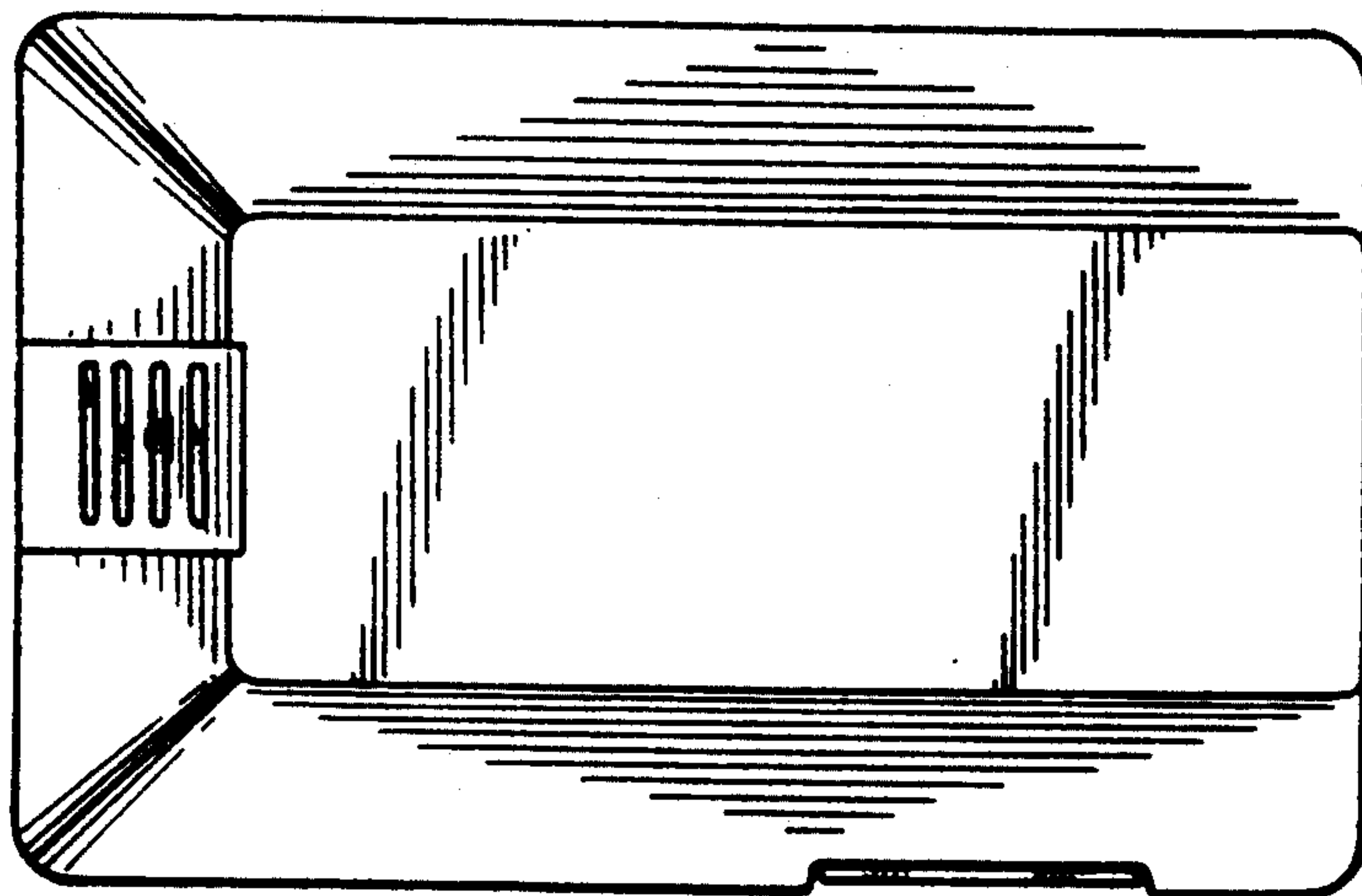


FIG. 3



FIG. 4

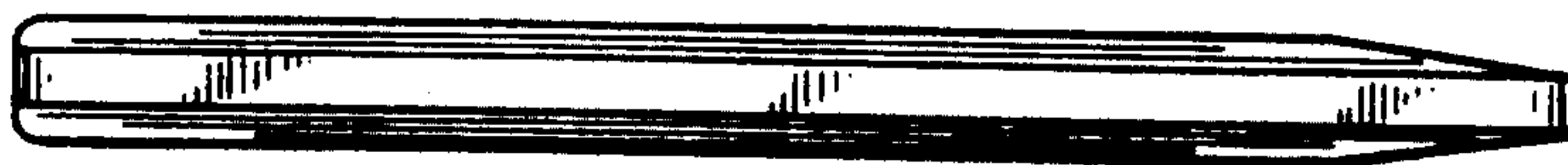


FIG. 5



FIG. 6

