



US00D336687S

United States Patent [19] Schremmer

[11] Patent Number: **Des. 336,687**
[45] Date of Patent: **** Jun. 22, 1993**

[54] **ELONGATE STRIP MEMBER SIDE PANEL FOR SHELVING UNIT**

[75] Inventor: **Paul Schremmer, Hunters Hill, Australia**

[73] Assignee: **John Lysaght (Australia) Limited, Sydney, Australia**

[**] Term: **14 Years**

[21] Appl. No.: **802,689**

[22] Filed: **Dec. 9, 1991**

[30] **Foreign Application Priority Data**

Jun. 13, 1991 [AU] Australia 1663/91

[52] U.S. Cl. **D25/138; D6/491**

[58] Field of Search **D25/119-125, D25/136, 164, 138; 52/287, 273, 288, 290, 483; 160/19; 174/37; 49/395; D6/491-492**

[56] **References Cited**

U.S. PATENT DOCUMENTS

2,560,308 7/1951 Sprarager 49/495
2,882,564 4/1959 Couse et al. 52/287

3,055,969 9/1962 Schaller, Jr. 49/395
3,127,926 4/1964 Adelt 52/483
3,469,619 9/1965 Barnett 160/19
3,568,626 3/1971 Southworth, Jr. 174/37
4,996,801 5/1991 Ristow et al. 52/273

FOREIGN PATENT DOCUMENTS

11902/76 3/1976 Australia .
2125731 9/1972 France D25/38

Primary Examiner—A. Hugo Word
Assistant Examiner—Doris Clark
Attorney, Agent, or Firm—Nikaido, Marmelstein, Murray & Oram

[57] **CLAIM**

The ornamental design for an elongate strip member side panel for shelving unit, as shown and described.

DESCRIPTION

FIG. 1 is a fragmentary view of an elongate strip member side panel for shelving unit showing my new design, the elongate strip member side panel for shelving unit is broken in the center to show indeterminate length; and, FIG. 2 is a cross-sectional view taken along line 2—2 of FIG. 1.

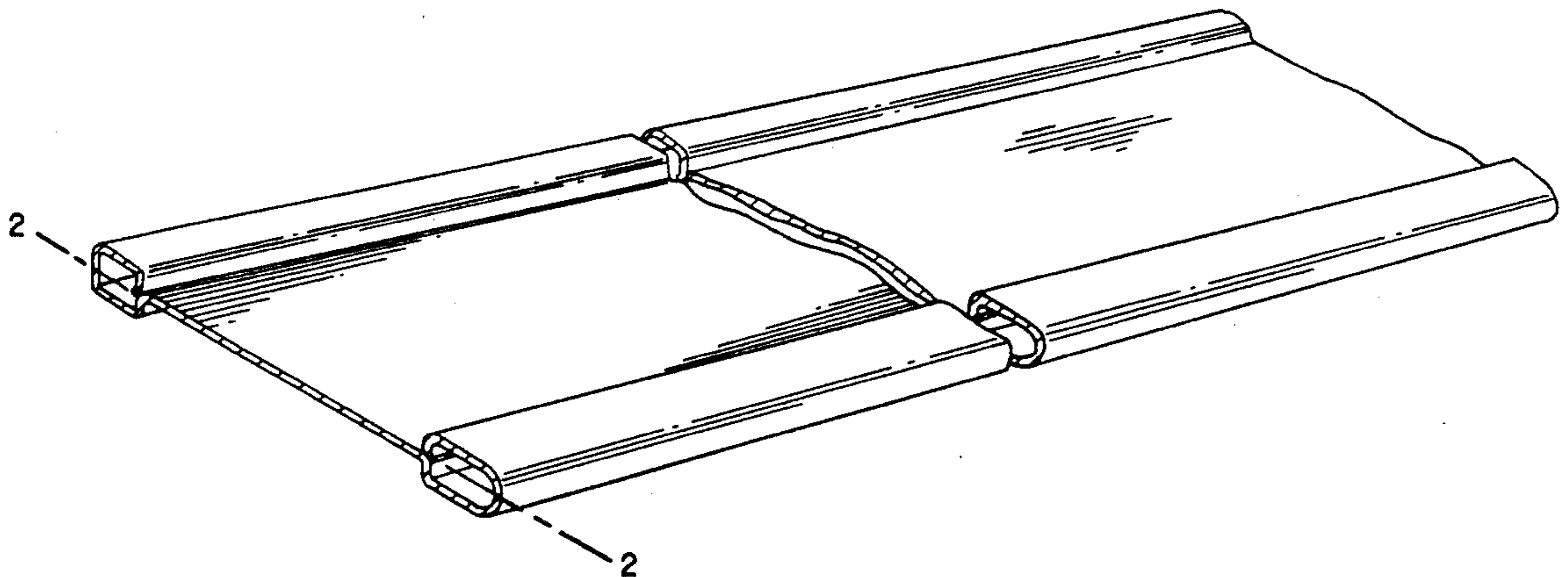


FIG.1

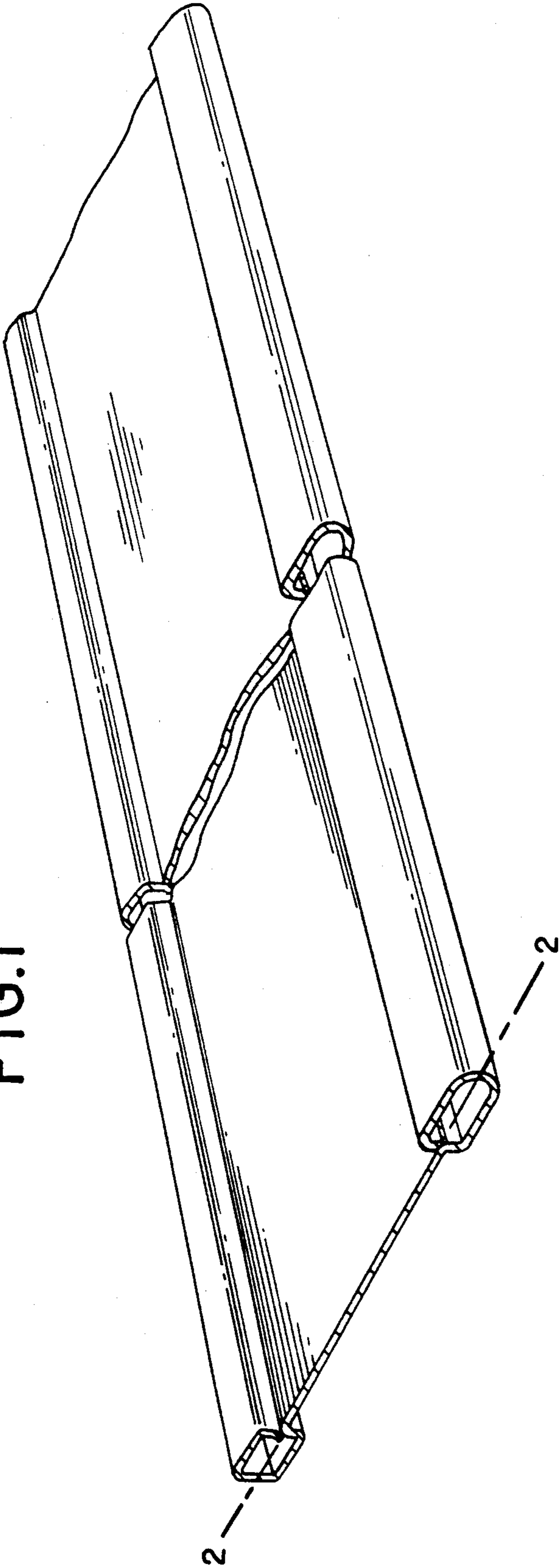


FIG.2

