



US00D336684S

United States Patent [19]
Hutton

[11] **Patent Number: Des. 336,684**
[45] **Date of Patent: ** Jun. 22, 1993**

[54] **OXYGEN HOSE RETAINER**
[76] **Inventor: Mary J. Hutton, 324-A Stadium St.,
Glade spring, Va. 24340**
[**] **Term: 14 Years**
[21] **Appl. No.: 482,745**
[22] **Filed: Feb. 21, 1990**
[52] **U.S. Cl. D24/164**
[58] **Field of Search D24/164, 191; 606/203,
606/54**

4,928,711 5/1990 Williams D24/191

Primary Examiner—A. Hugo Word
Assistant Examiner—Celia A. Murphy
Attorney, Agent, or Firm—Leon Gilden

[57] **CLAIM**

The ornamental design for a oxygen hose retainer, as shown and described.

DESCRIPTION

FIG. 1 is a front elevational view of an oxygen hose retainer showing my new design;
FIG. 2 is a rear elevational view thereof;
FIG. 3 is a left side elevational view thereof;
FIG. 4 is a right side elevational view thereof;
FIG. 5 is a top plan view thereof;
FIG. 6 is a bottom plan view thereof;
FIG. 7 is a front perspective view thereof;
FIG. 8 is a rear perspective view thereof;
FIG. 9 is a front elevational view thereof shown in use, the broken lines showing a human head and partial oxygen hoses being for illustrative purposes only and forming no part of the claimed design.

[56] **References Cited**
U.S. PATENT DOCUMENTS
D. 260,933 9/1981 Reichl D24/164
D. 279,463 6/1984 Clark D24/191
D. 283,158 3/1986 Jackson D24/164
D. 314,623 2/1991 Calabrese et al. D24/191
1,992,904 2/1935 Preston D24/191
3,307,541 3/1967 Hewson D24/164
3,351,052 11/1967 Hewson D24/164
4,878,274 11/1989 Patricy 606/203

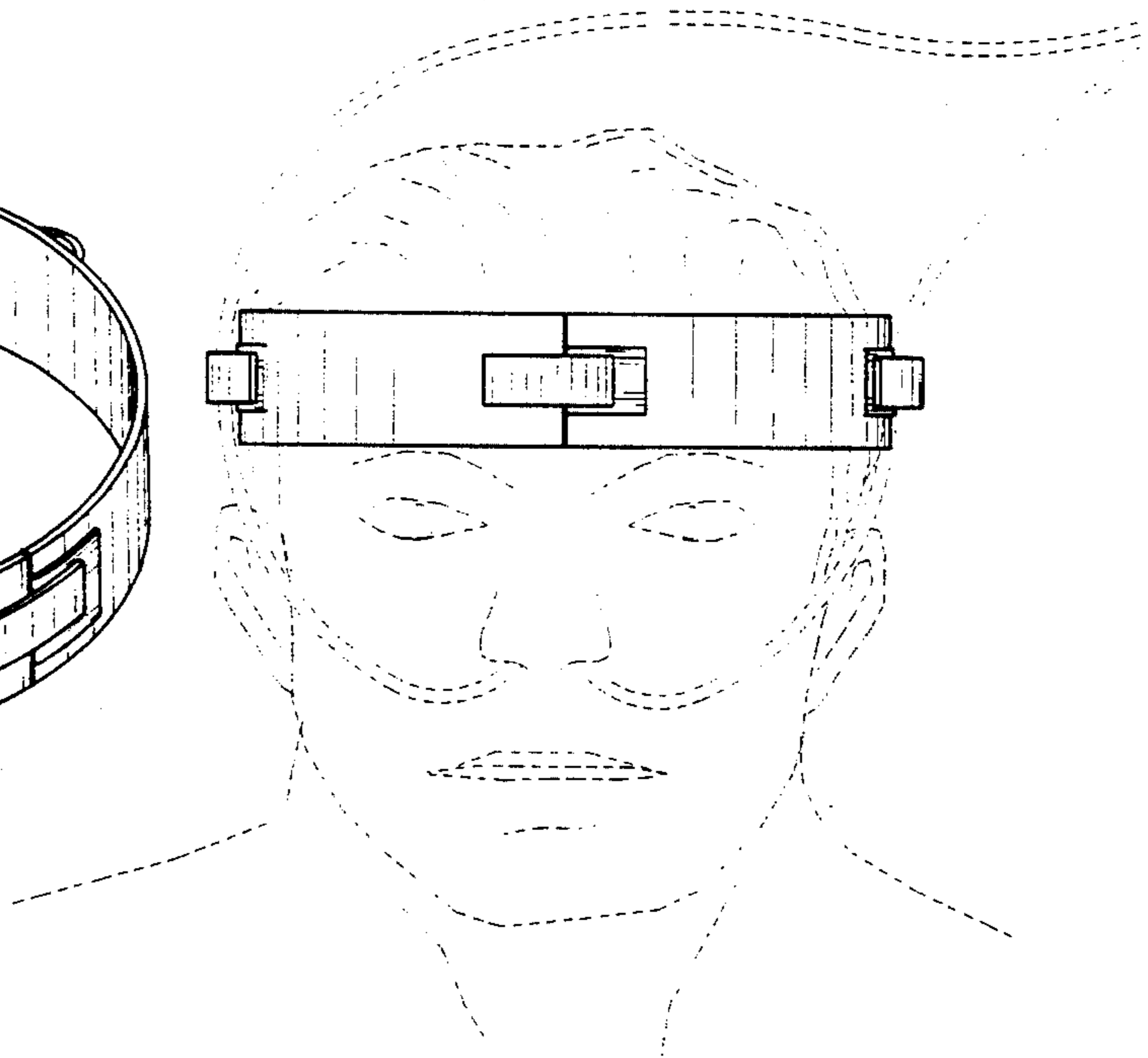
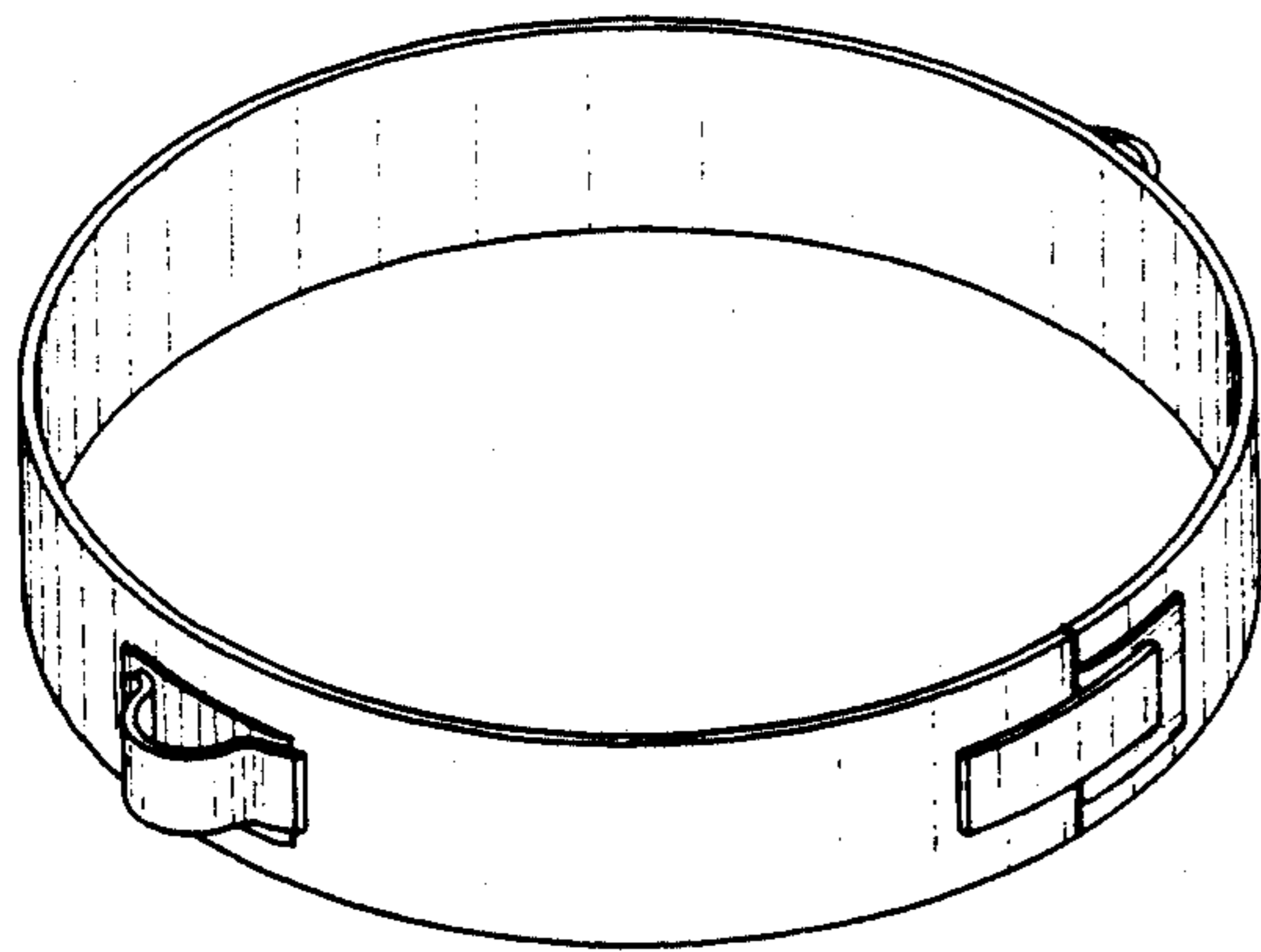


FIG. 1

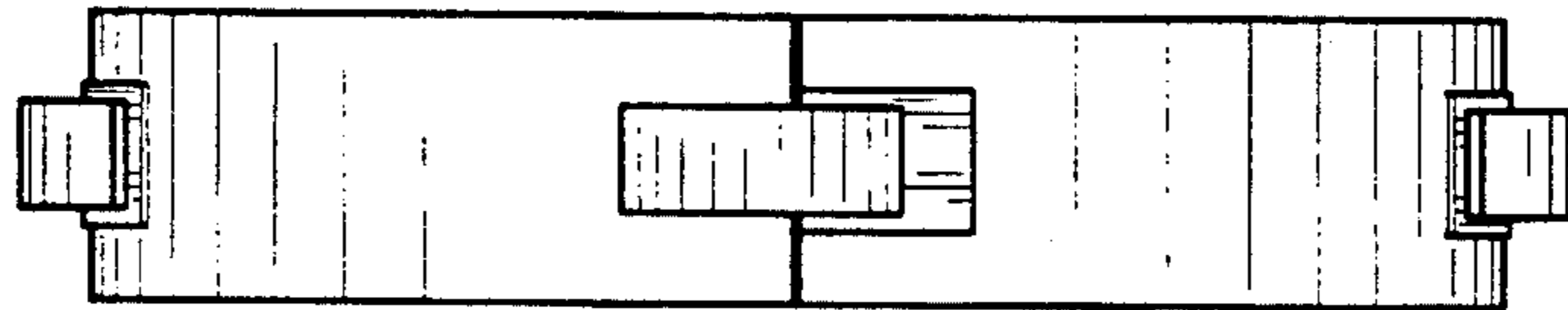


FIG. 2

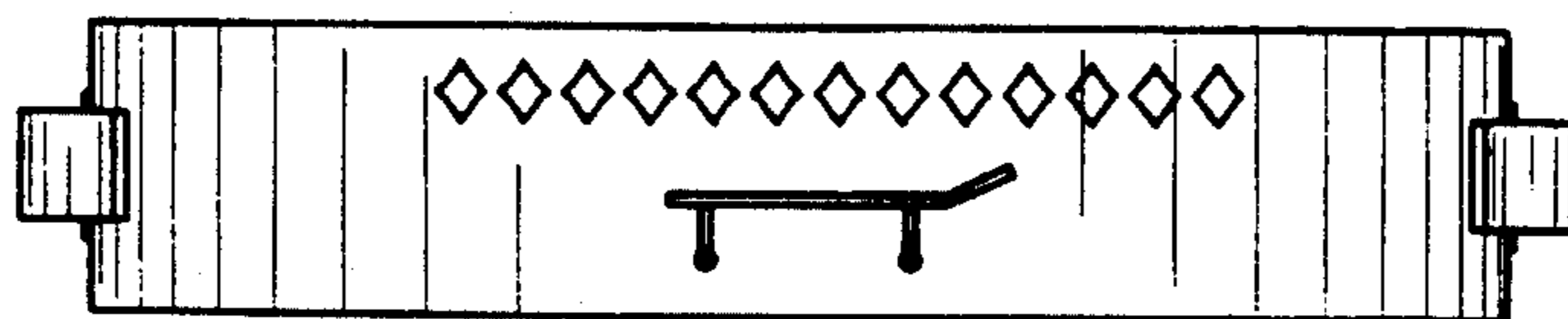


FIG. 3

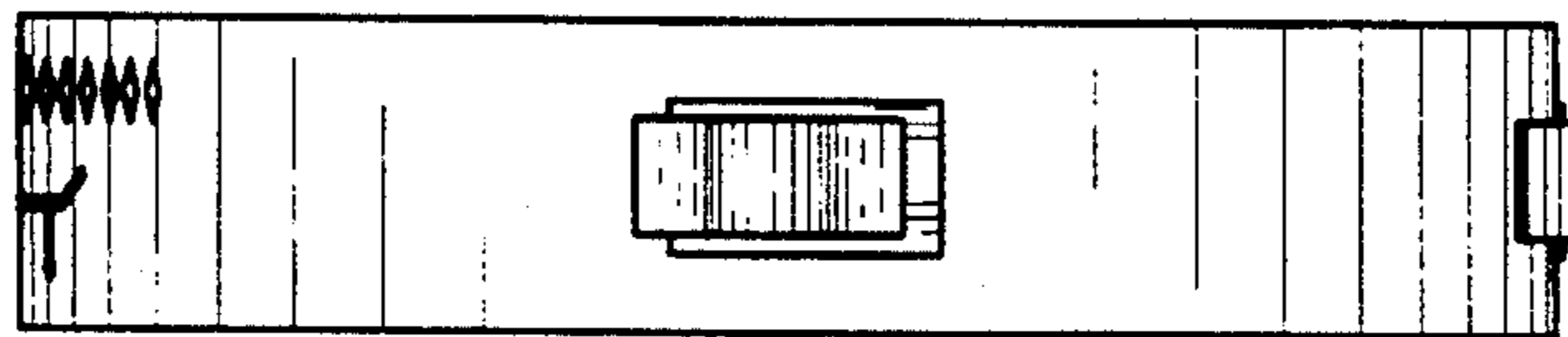


FIG. 4

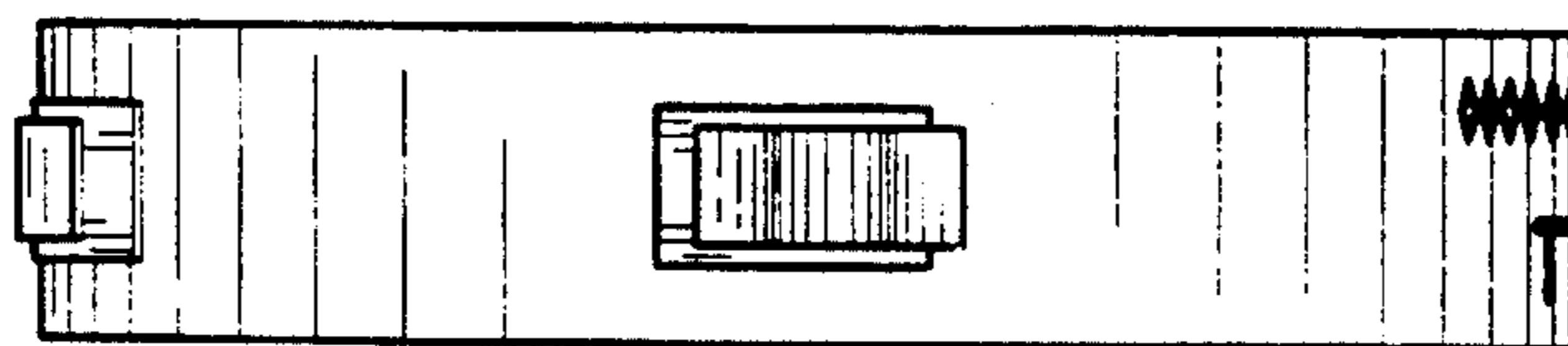


FIG. 5

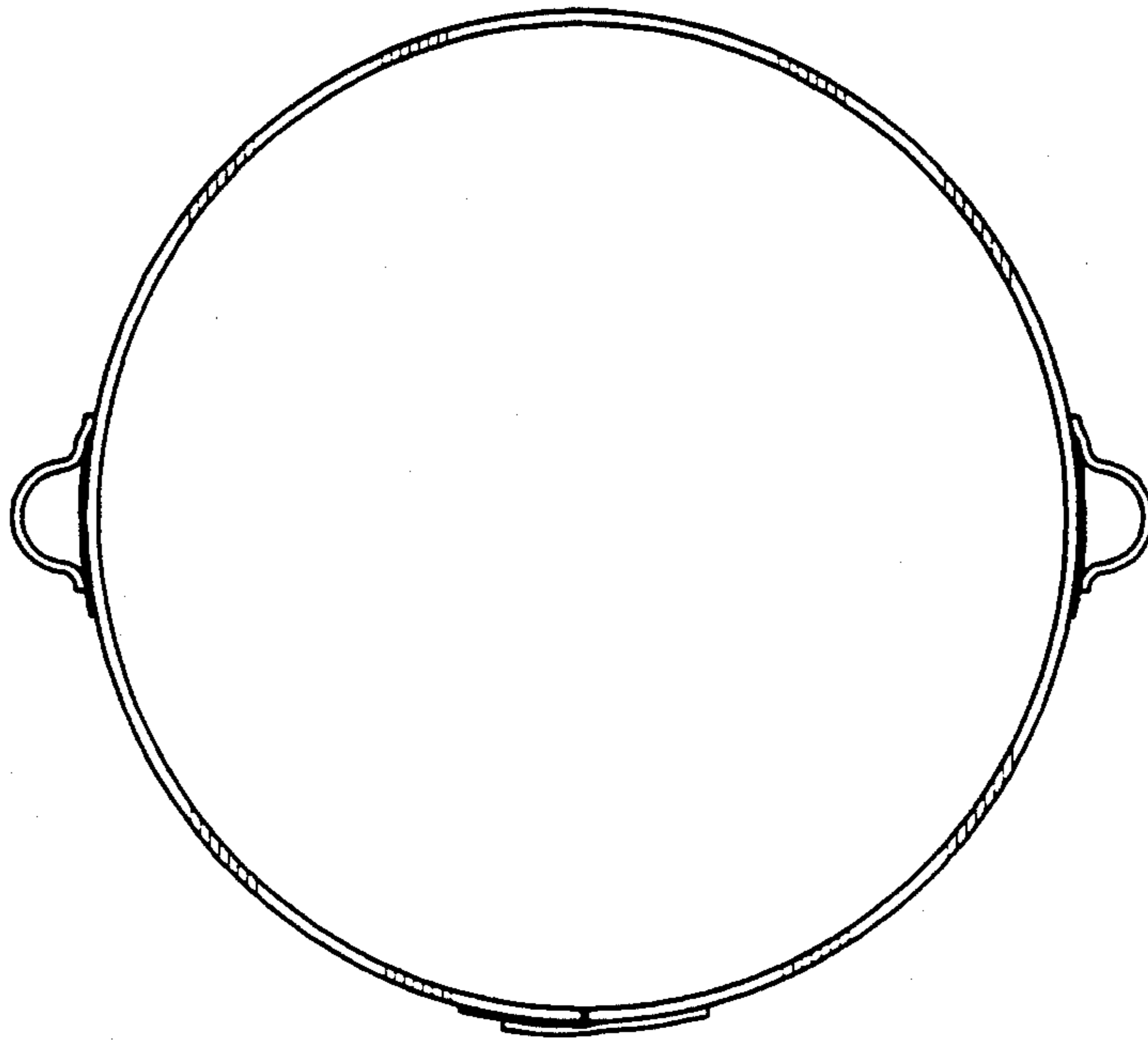


FIG. 6

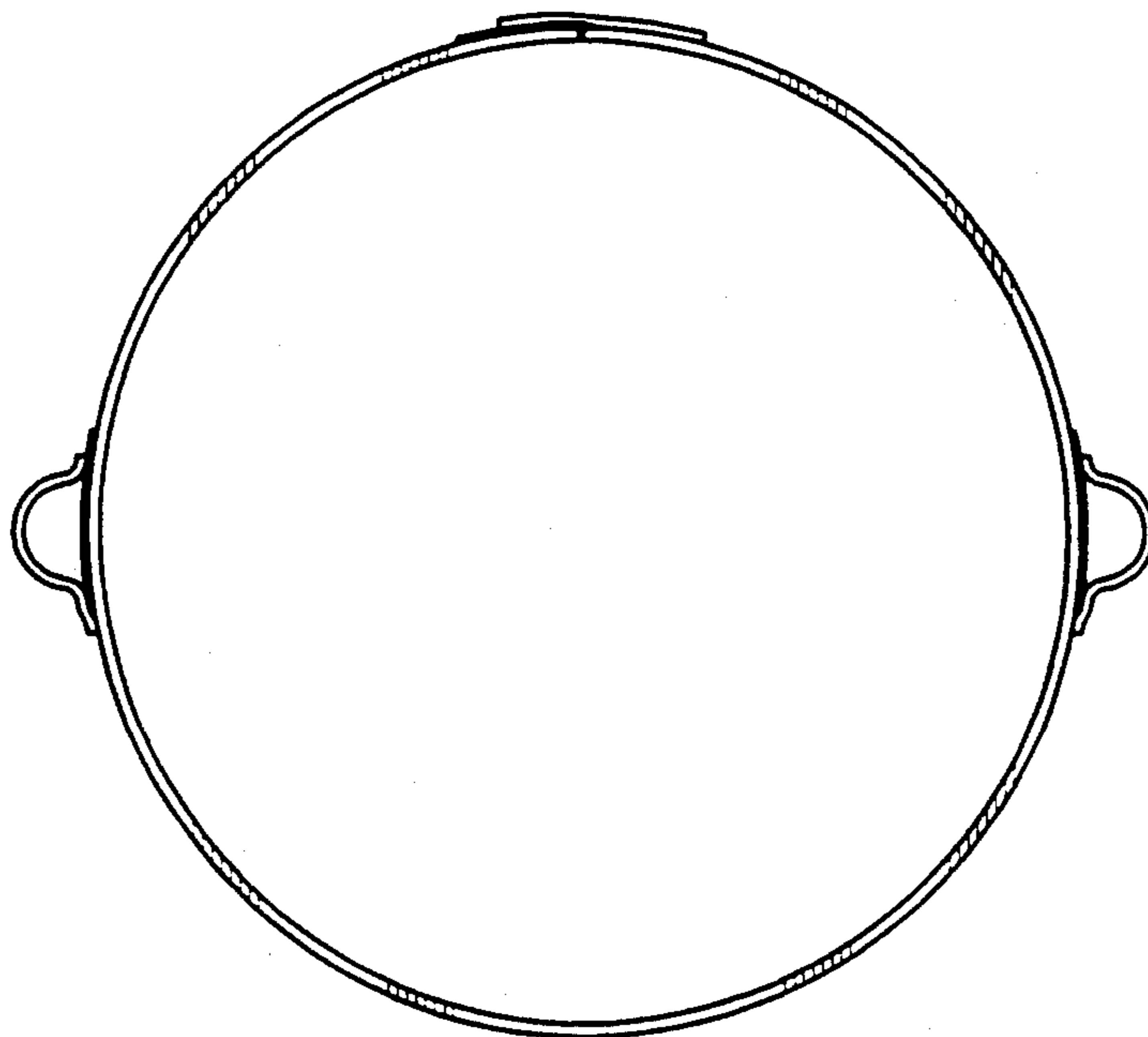


FIG. 7

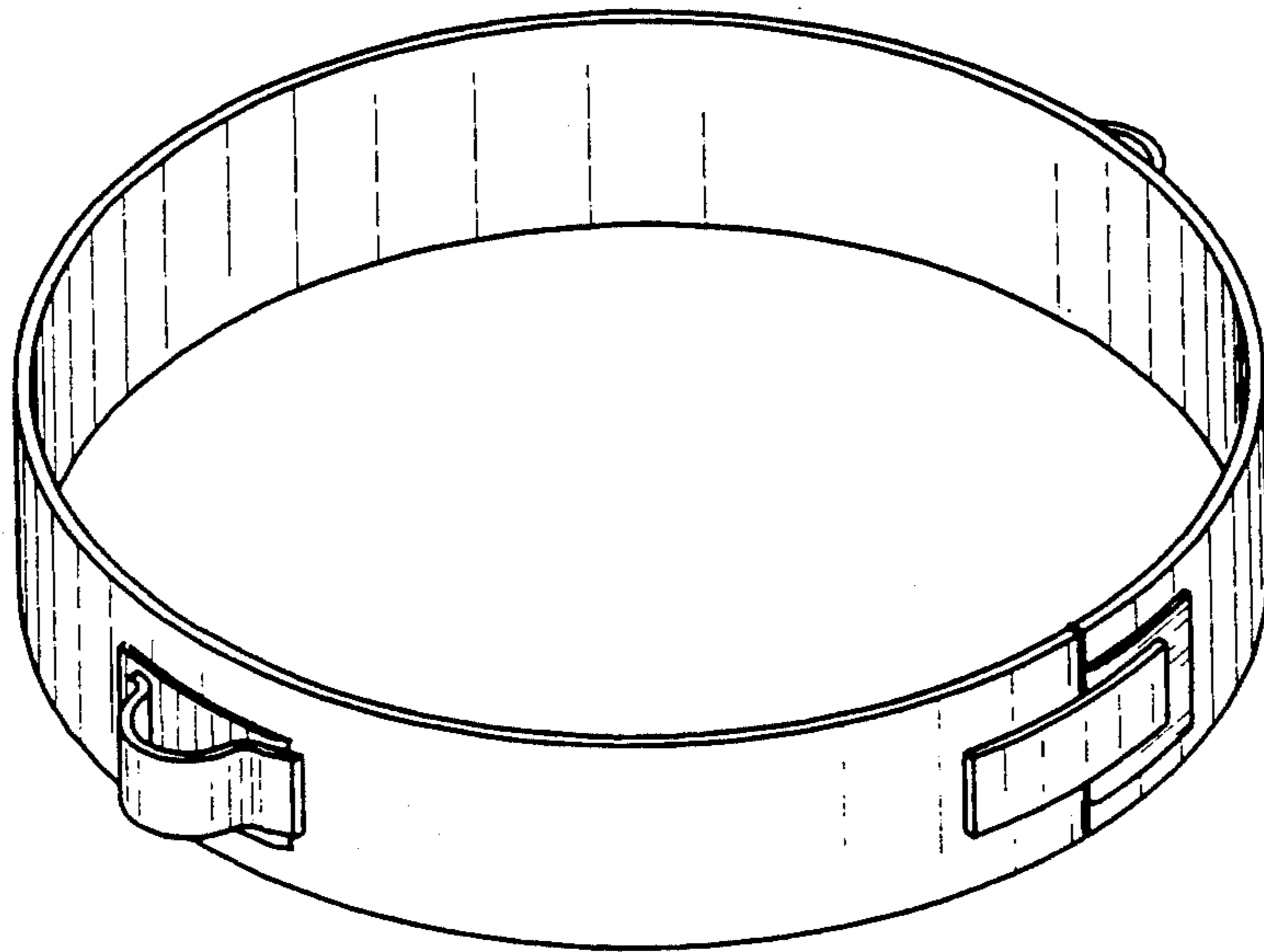


FIG. 8

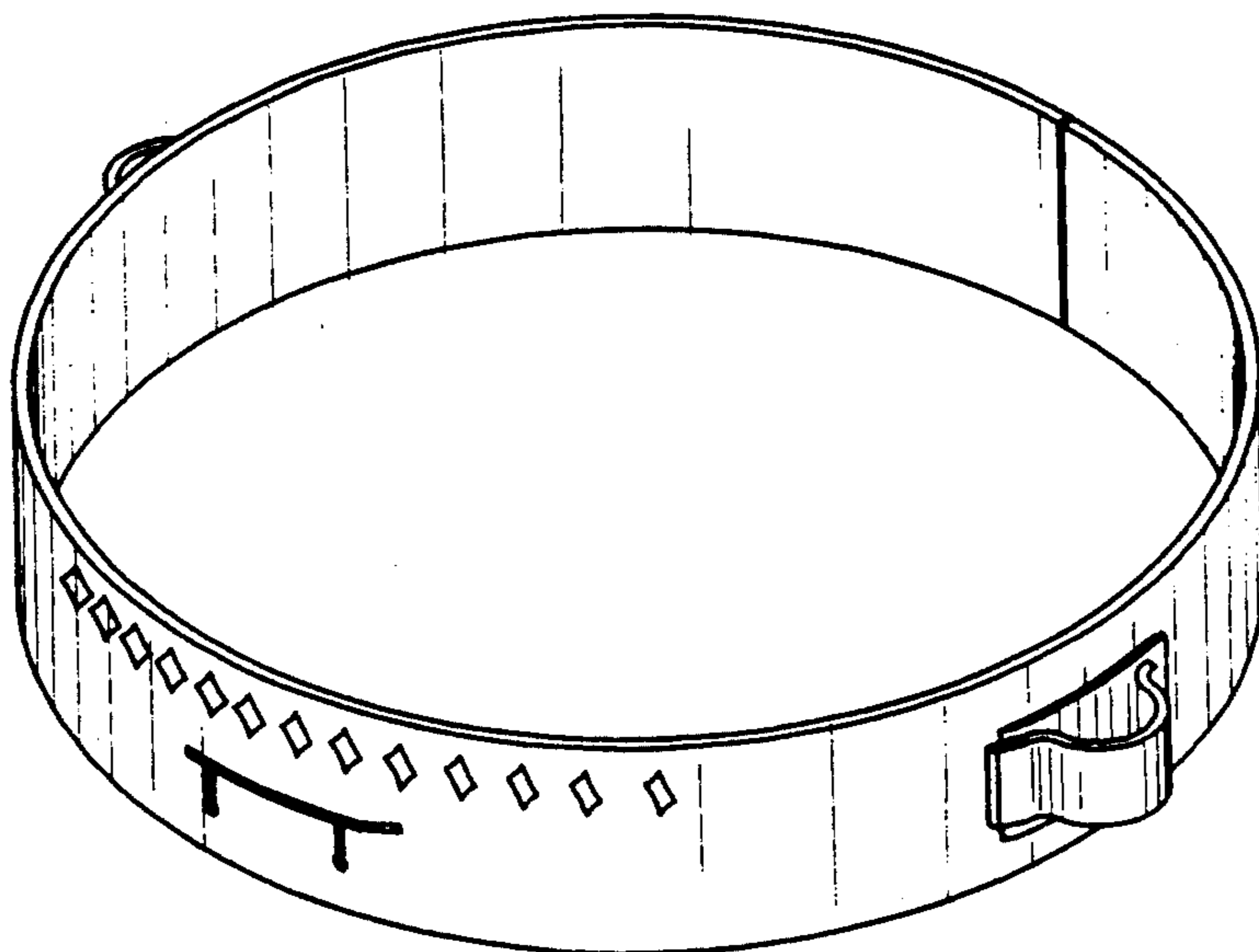


FIG. 9

