



US00D336683S

United States Patent [19]

[11] Patent Number: **Des. 336,683**

Inoue et al.

[45] Date of Patent: **** Jun. 22, 1993**

[54] **DENTAL IMPLANT**

4,768,956 9/1988 Kurpis 433/173
4,802,847 2/1989 Komatsu 433/176

[75] Inventors: **Kiyoshi Inoue**, 3-16-7 Kamiyoga, Setagaya-ku, Tokyo; **Yu Shimizu**, Yachiyo; **Katsuhiko Iwanaga**; **Takashi Miyazaki**, both of Tokyo, all of Japan

Primary Examiner—Wallace R. Burke
Assistant Examiner—M. H. Tung
Attorney, Agent, or Firm—Finnegan, Henderson, Farabow, Garrett & Dunner

[73] Assignee: **Kiyoshi Inoue**, Tokyo, Japan

[57] **CLAIM**

[**] Term: **14 Years**

The ornamental design for a dental implant, as shown and described.

[21] Appl. No.: **524,838**

DESCRIPTION

[22] Filed: **May 18, 1990**

[30] **Foreign Application Priority Data**

Nov. 20, 1989 [JP] Japan 1-41859

[52] U.S. Cl. **D24/156**

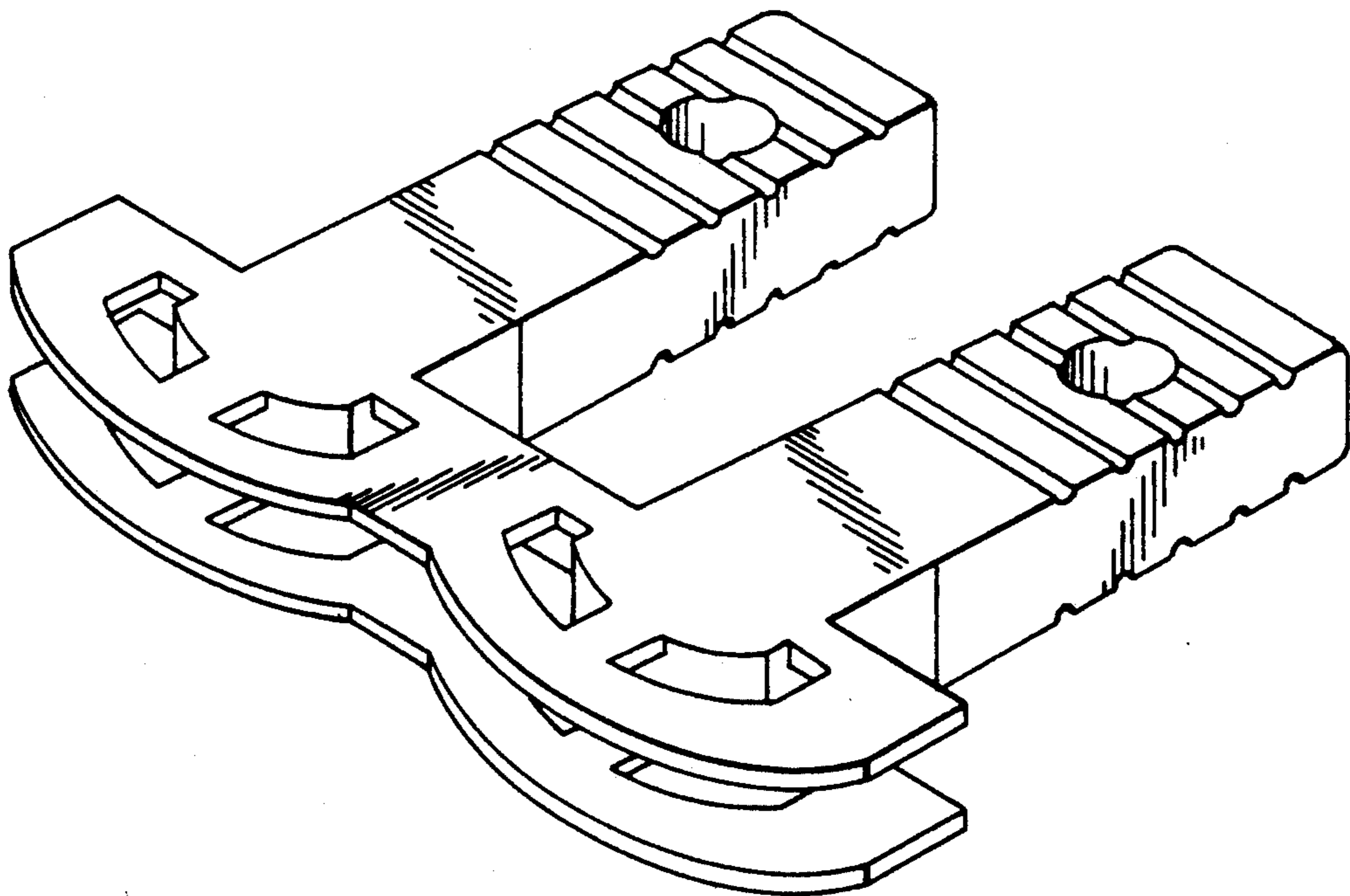
[58] Field of Search D24/176-182,
D24/155-156; 433/168.1, 169, 172-176,
191-195

FIG. 1 is a front elevational view of a dental implant showing our new design;
FIG. 2 is a top plan view thereof;
FIG. 3 is a bottom plan view thereof;
FIG. 4 is a side elevational view thereof, the opposite side being a mirror image;
FIG. 5 is a cross-sectional view thereof, taken on line V-V in FIG. 1;
FIG. 6 is a cross-sectional view thereof, taken on line VI-VI in FIG. 1;
FIG. 7 is a cross-sectional view thereof, taken on line VII-VII in FIG. 1;
FIG. 8 is a cross-sectional view thereof, taken on line VIII-VIII in FIG. 1; and,
FIG. 9 is a top perspective view thereof.

[56] **References Cited**

U.S. PATENT DOCUMENTS

3,977,081 8/1976 Zambelli et al. 433/176
4,459,111 7/1984 Valen 433/176
4,693,686 9/1987 Sendax 433/176 X



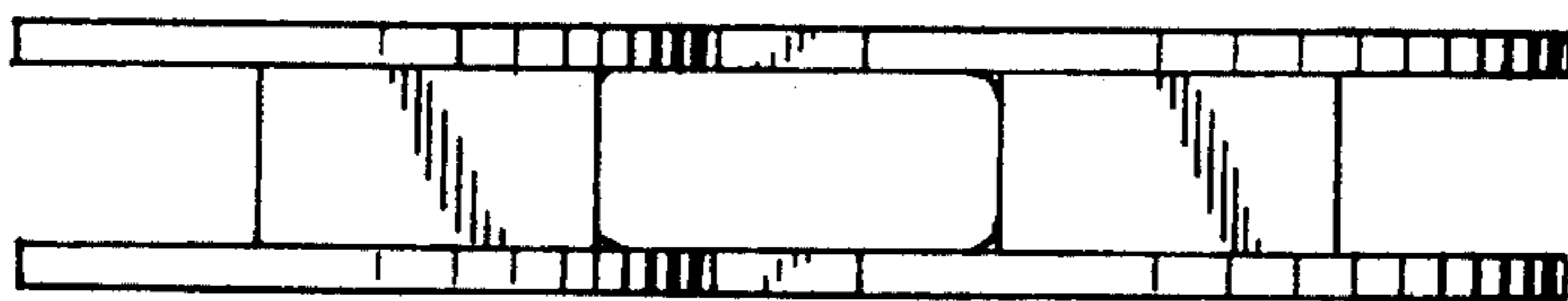
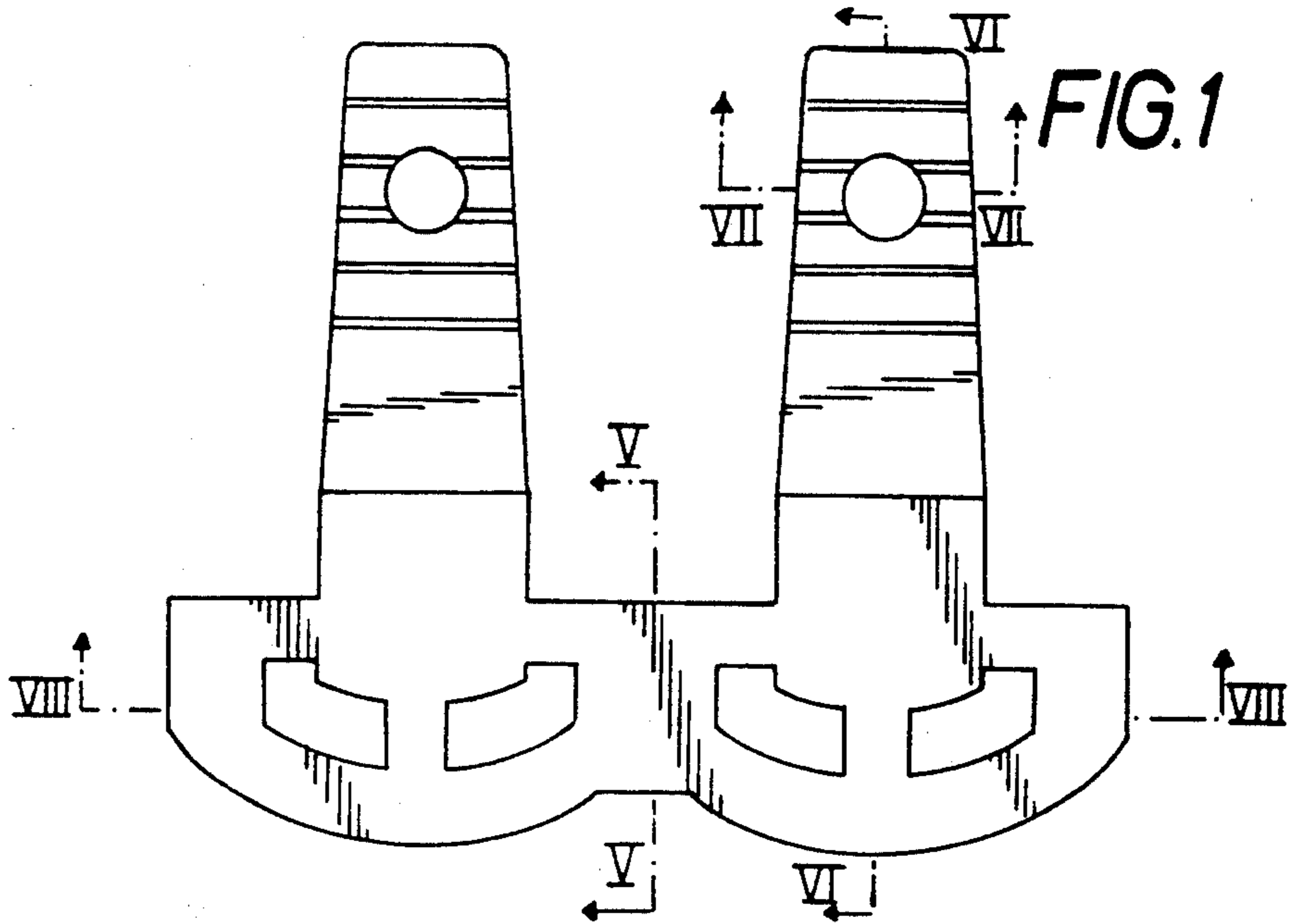


FIG. 3



FIG. 2

FIG. 4



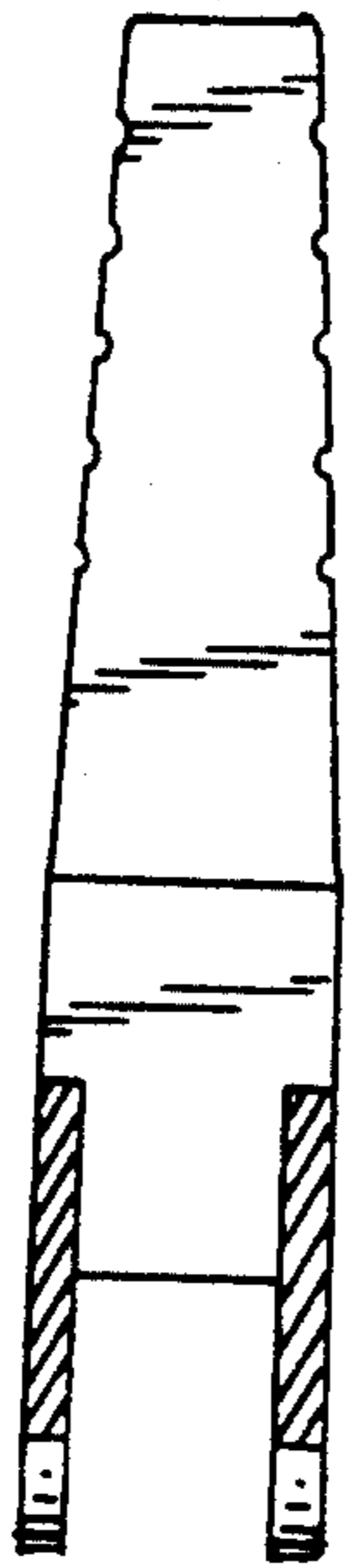


FIG. 5

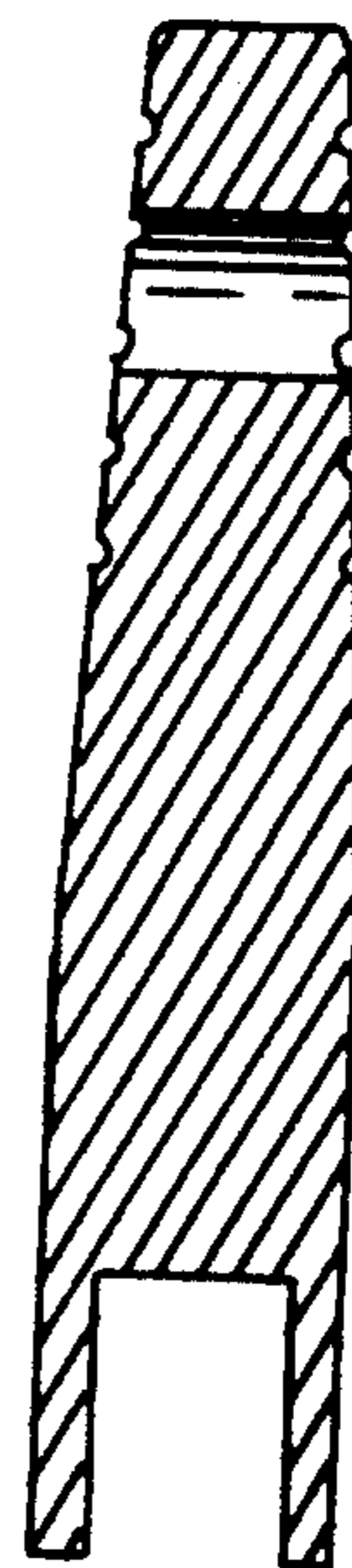


FIG. 6



FIG. 7

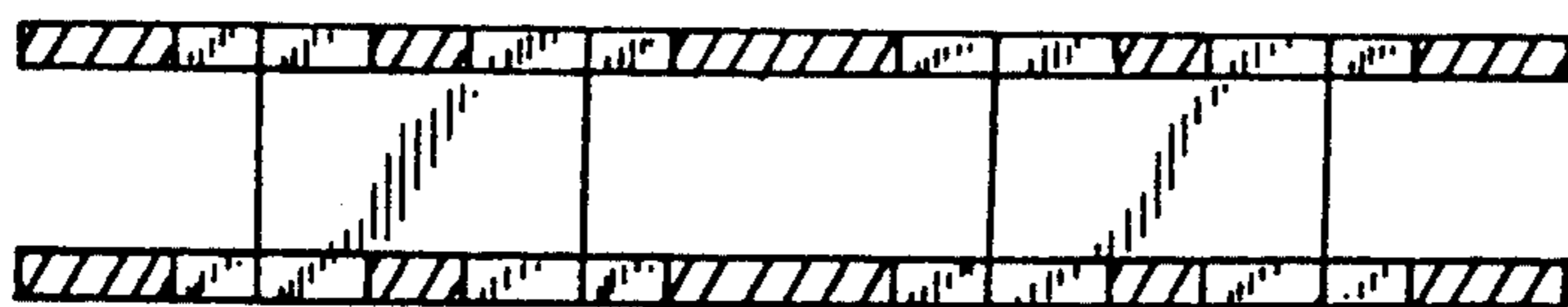


FIG. 8

FIG. 9

