



US00D336682S

United States Patent [19]

Francke et al.

[11] Patent Number: **Des. 336,682**

[45] Date of Patent: **** Jun. 22, 1993**

[54] **PIVOTABLE ARM REST FOR TOILET SEATS**

[75] Inventors: **Kurt Francke, Huddinge; Goran Wernqvist, Enskede, both of Sweden**

[73] Assignee: **RFSU Rehab AB, Stockholm, Sweden**

[**] Term: **14 Years**

[21] Appl. No.: **742,924**

[22] Filed: **Aug. 9, 1991**

[30] **Foreign Application Priority Data**

Feb. 13, 1991 [SE]	Sweden	91-0328
[52] U.S. Cl.		D23/309
[58] Field of Search		D23/309-312; 4/252.18, 254

[56] **References Cited**

U.S. PATENT DOCUMENTS

D. 257,879	1/1981	Hicks	D23/309
2,773,542	12/1956	Chasin	4/254
2,774,975	12/1956	Frank	4/254
3,011,179	12/1961	Hussey	4/254
3,323,144	6/1967	Ferris, Jr.	4/254
3,405,411	10/1968	Brown	4/254
3,574,242	4/1971	Towbridge	4/254
3,921,236	11/1975	Klein	4/254
3,969,778	7/1976	Richards	4/254
4,144,597	3/1979	Guenther et al.	4/254

4,196,480	4/1980	Guenther et al.	4/254
4,343,052	8/1982	Guenther	4/254
4,685,157	8/1987	James	4/254
4,715,069	12/1987	James	4/254
4,794,653	1/1989	Strasser	4/252.1
4,882,791	11/1989	Kimes	4/254

Primary Examiner—James R. Largen
Attorney, Agent, or Firm—Young & Thompson

[57] **CLAIM**

The ornamental design for a pivotable arm rest for toilet seats, as shown and described.

DESCRIPTION

FIG. 1 is a perspective view taken from the top, front and right side of a pivotable arm rest for toilet seats showing our new design;

FIG. 2 is a perspective view taken from the bottom, rear and left side thereof;

FIG. 3 is a perspective view taken from the top, front and left side of the pivot base portion thereof;

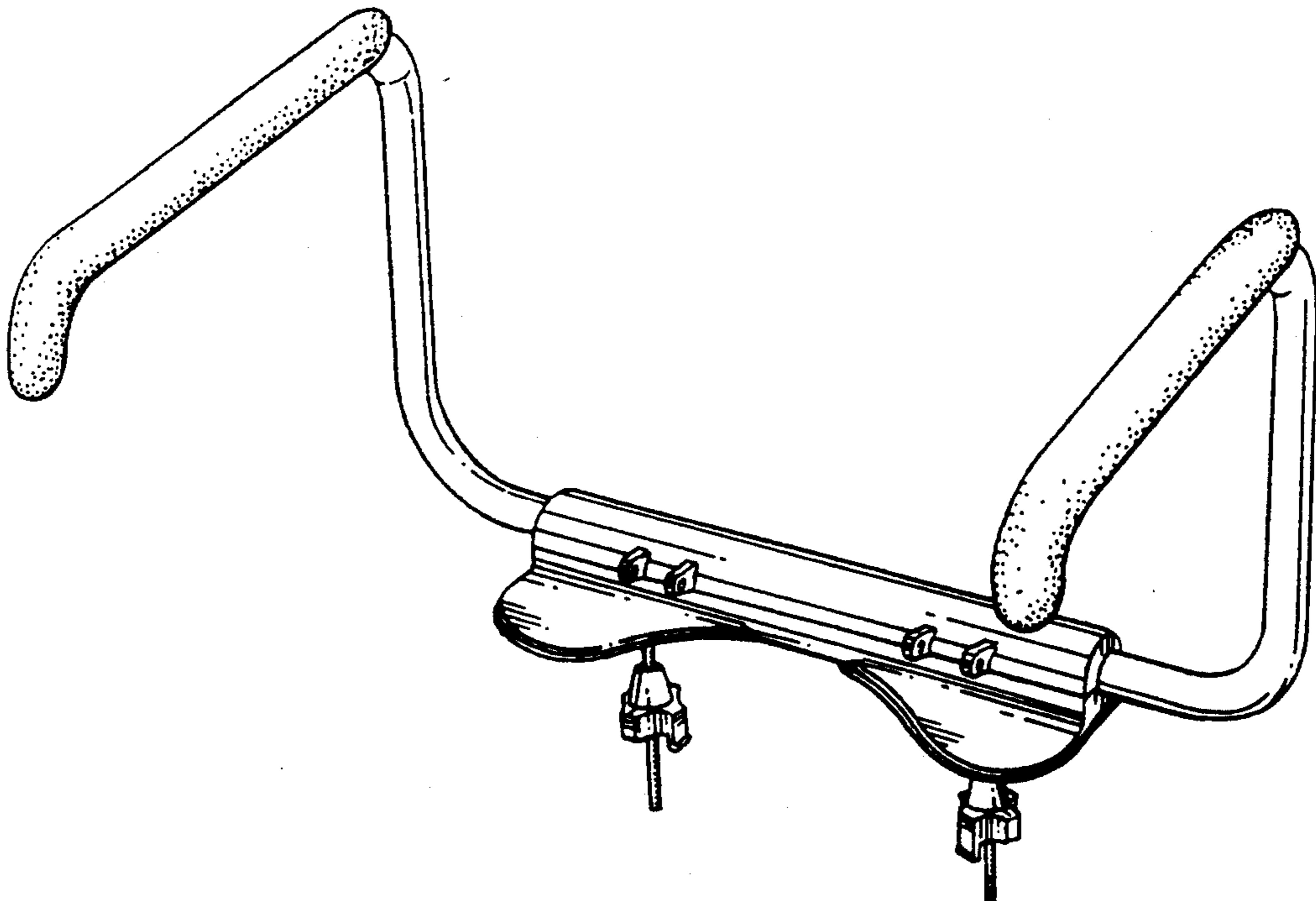
FIG. 4 is a perspective view taken bottom, rear and right side of FIG. 3;

FIG. 5 is a perspective view taken from the top, front and right side of the base cover portion thereof;

FIG. 6 is a perspective view taken from the bottom, rear and left side of FIG. 5;

FIG. 7 is a perspective view taken from the top, front and right side of a securing nut portion thereof; and,

FIG. 8 is a perspective view taken from the bottom, rear and left side of FIG. 7.



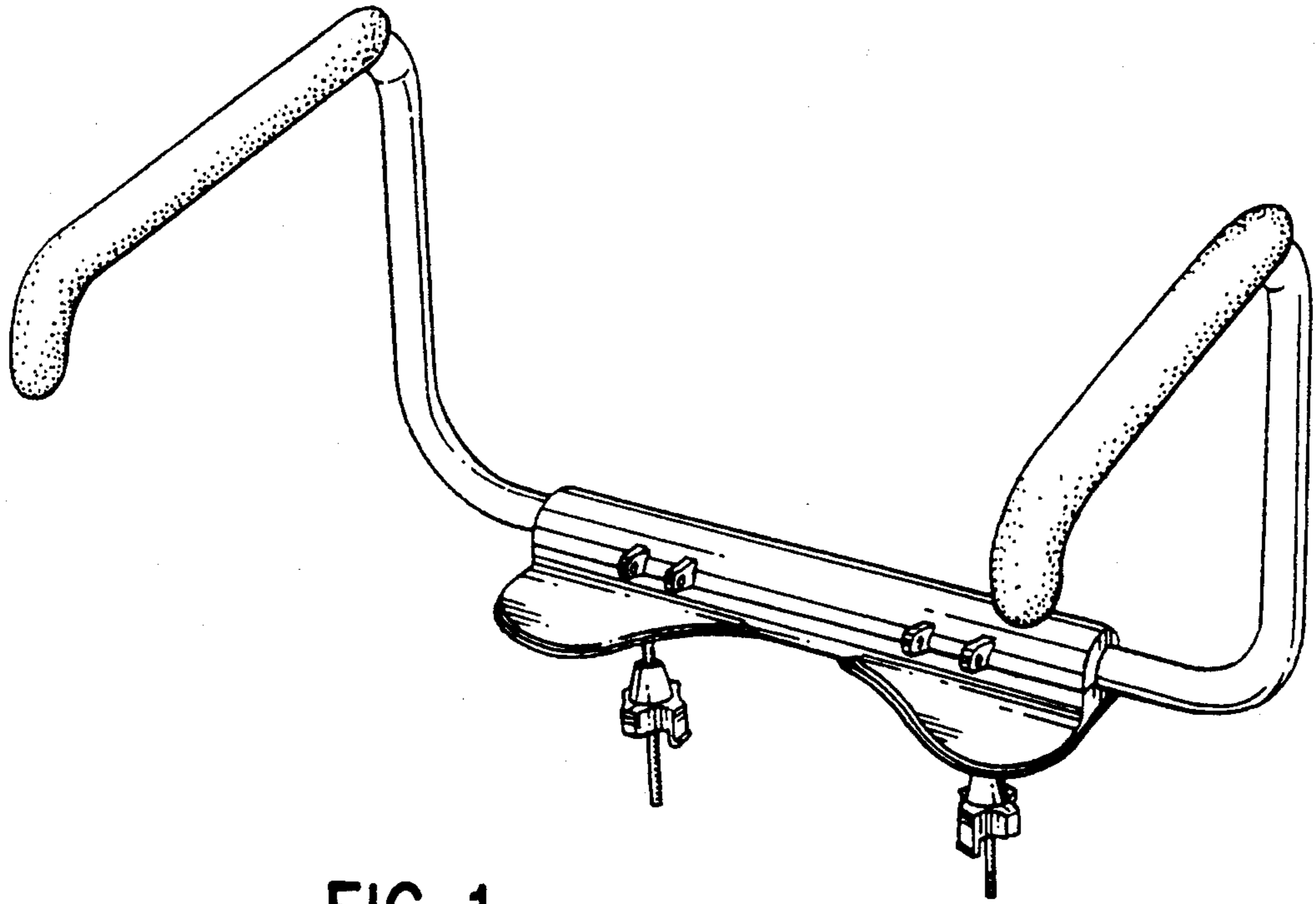


FIG. 1

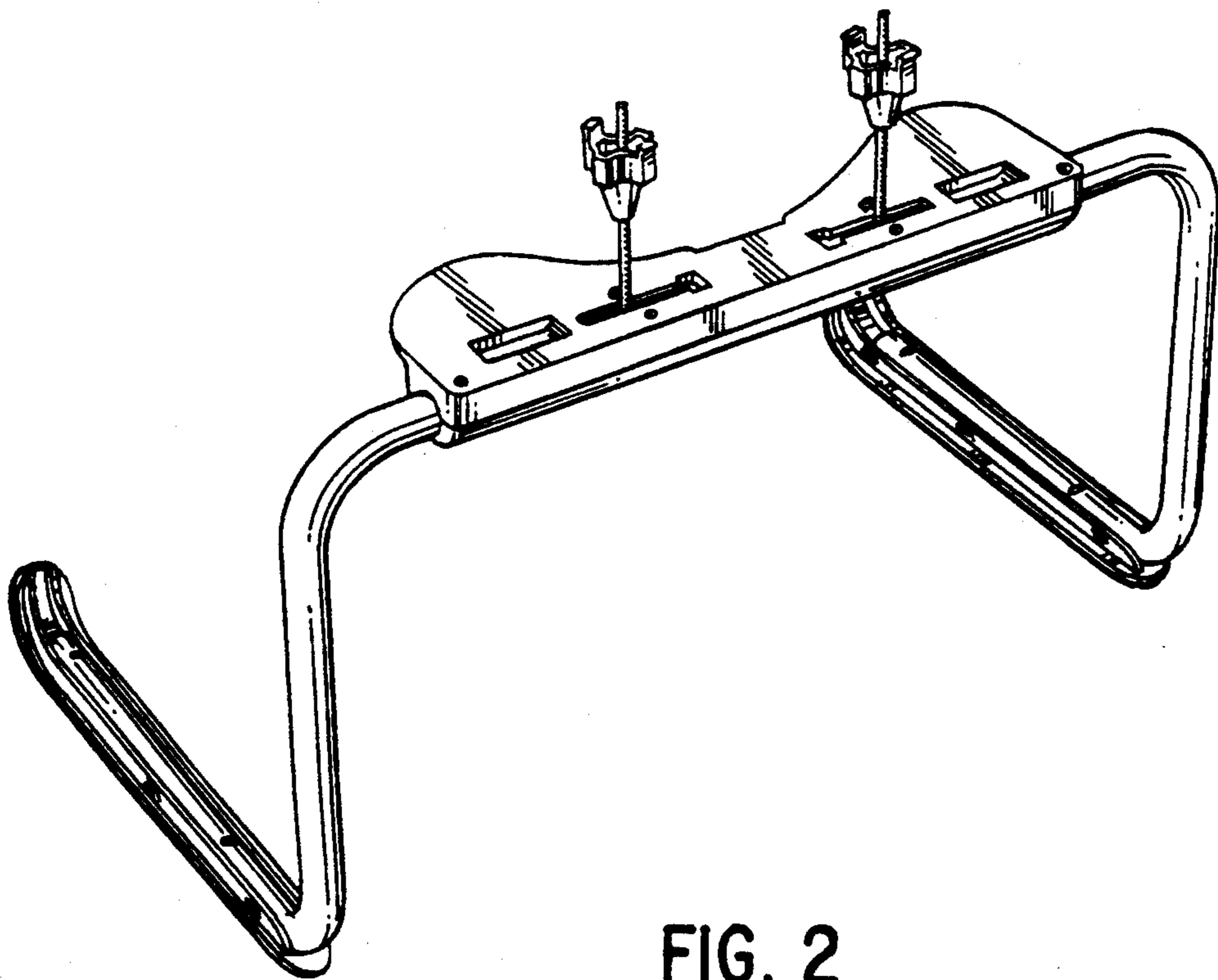


FIG. 2

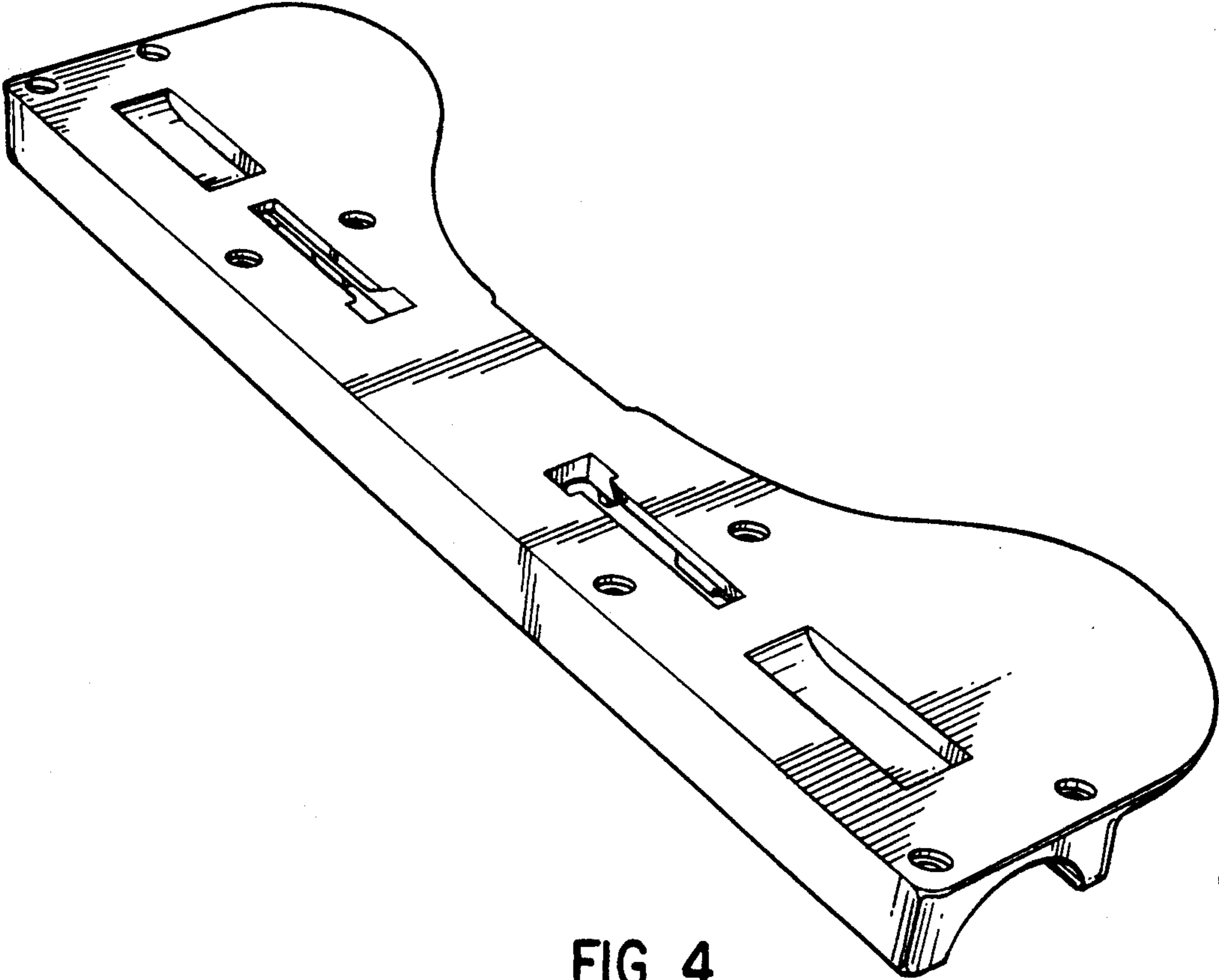


FIG. 4

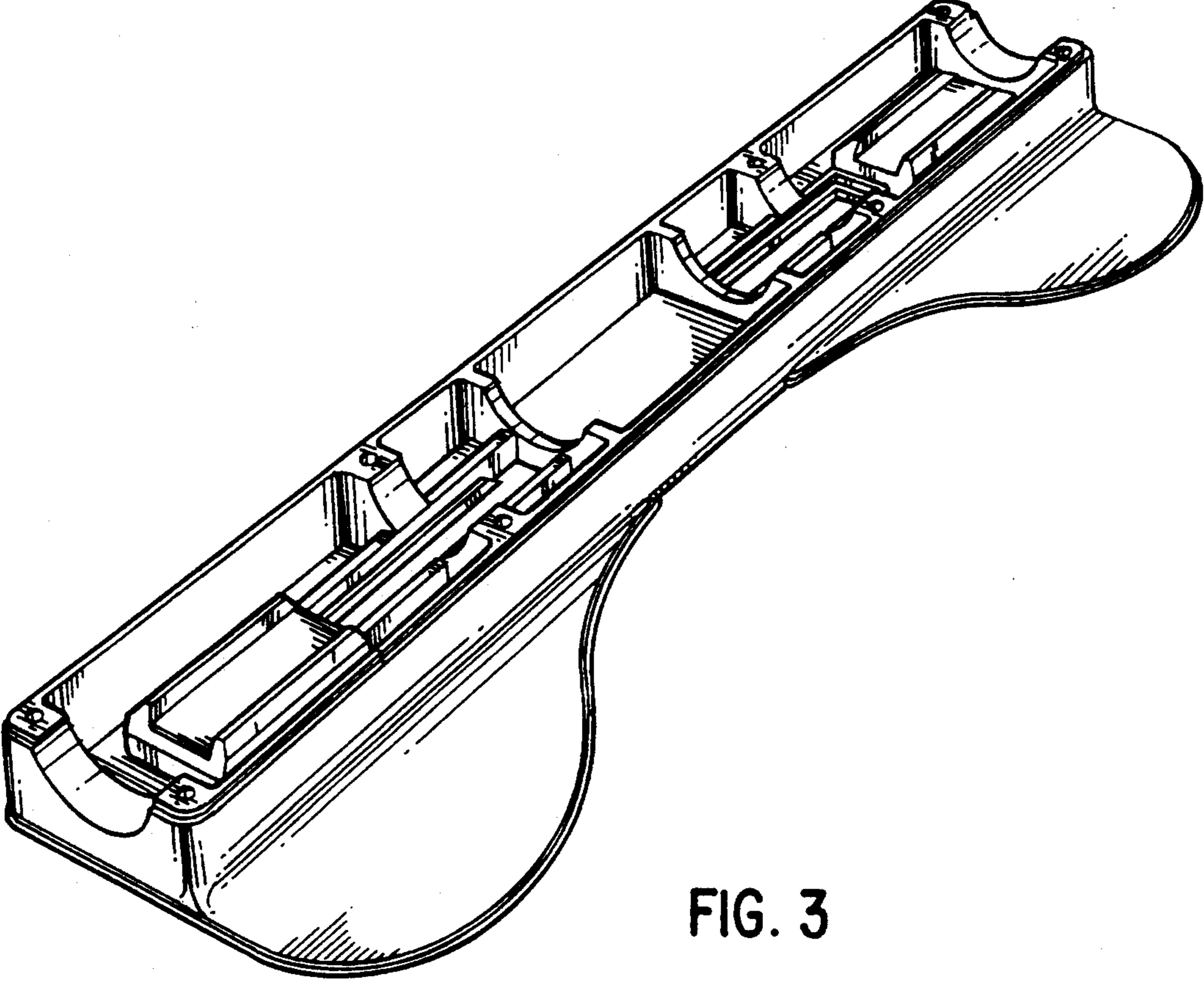


FIG. 3

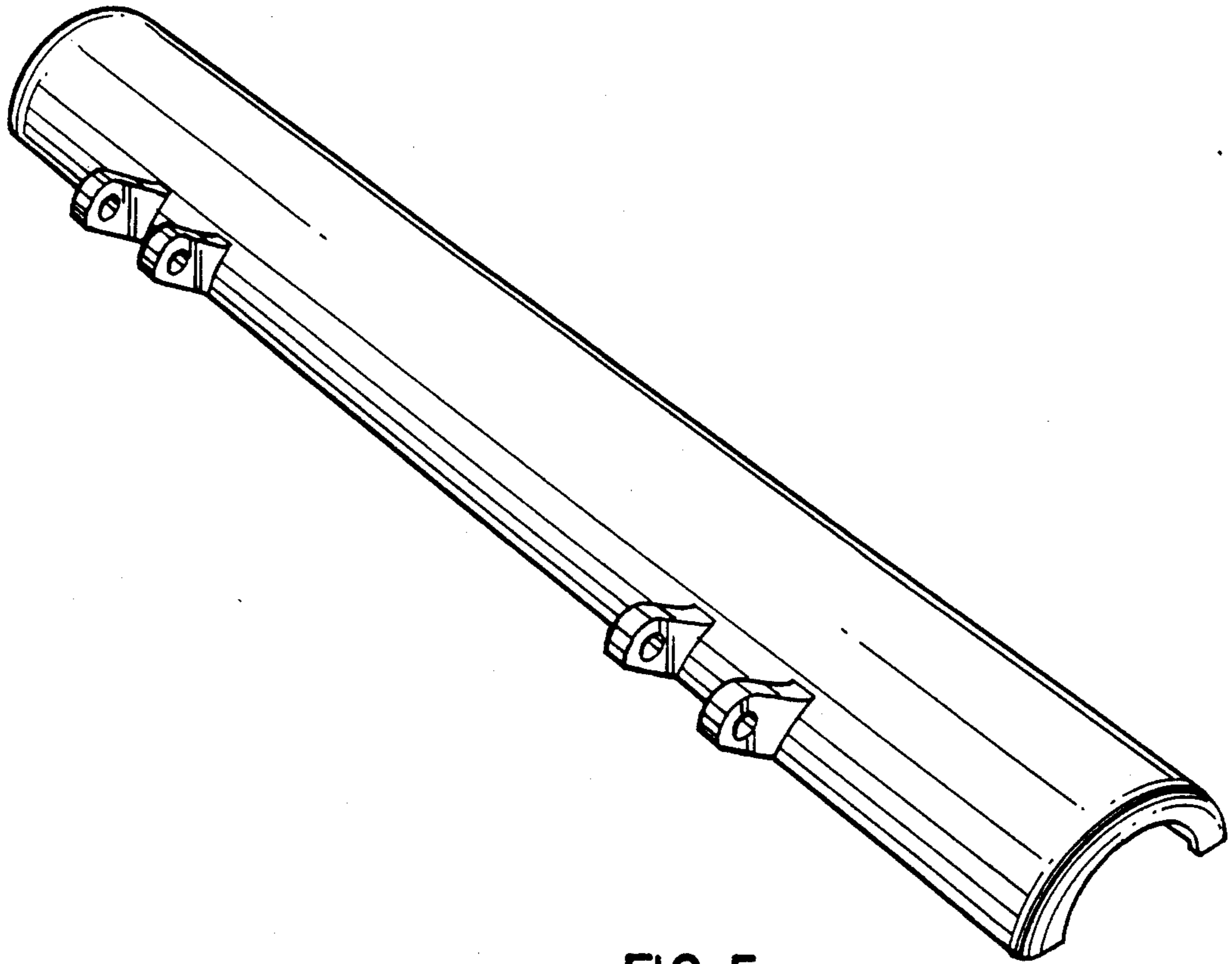


FIG. 5

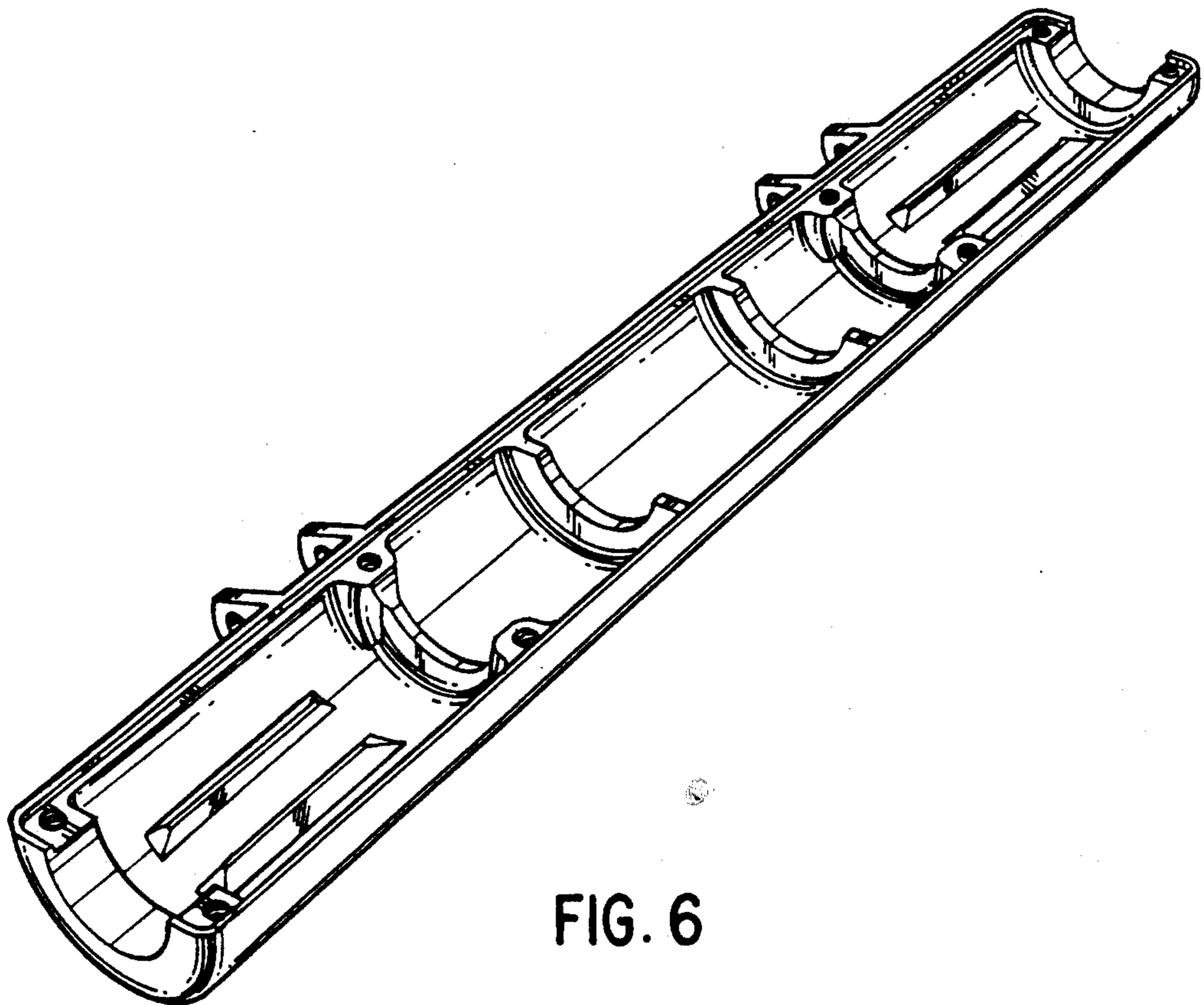


FIG. 6

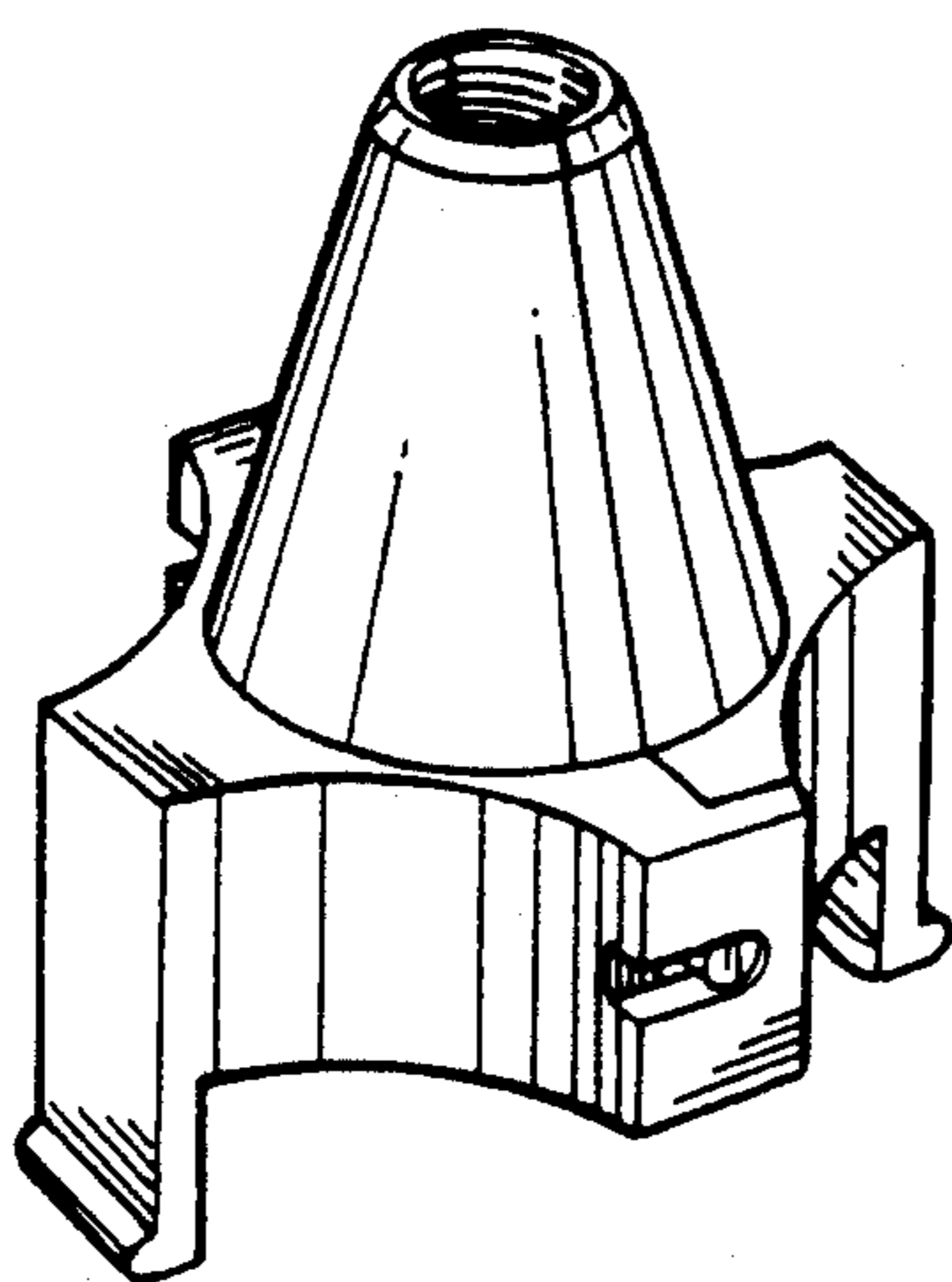


FIG. 7

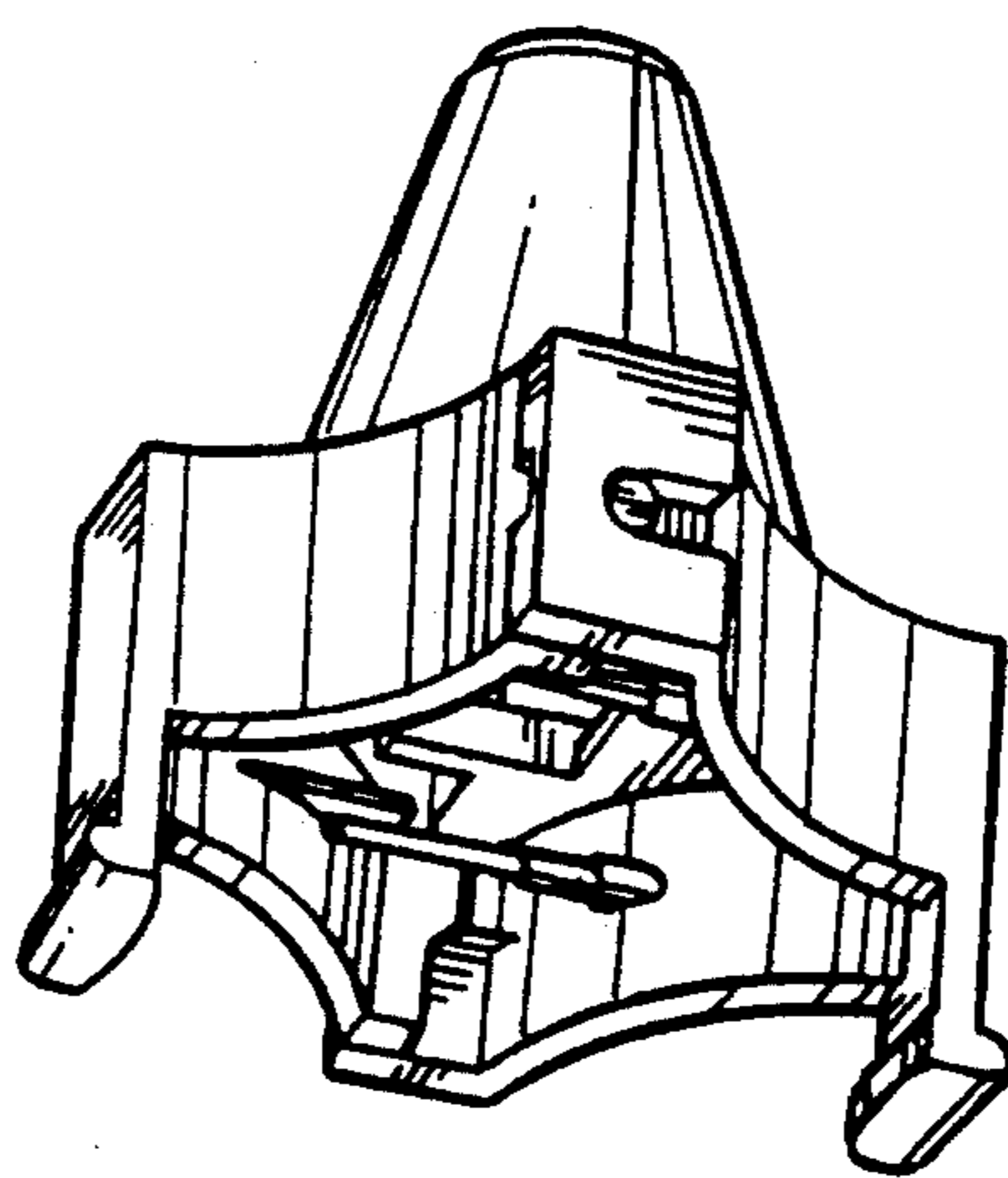


FIG. 8