



US00D336681S

United States Patent [19]

[11] Patent Number: **Des. 336,681**

Vickers

[45] Date of Patent: **** Jun. 22, 1993**

[54] **COMBINED PIPE COUPLER AND PLUG**

[75] Inventor: **David L. Vickers**, Boynton Beach, Fla.

[73] Assignee: **Mew Pump Corp.**, Deerfield Beach, Fla.

[**] Term: **14 Years**

[21] Appl. No.: **553,131**

[22] Filed: **May 31, 1990**

[52] U.S. Cl. **D23/262**

[58] Field of Search **D23/259-261;**
285/197, 901, 915; 4/295, 323; 215/306, 254;
220/375; 138/89

D. 262,181	12/1981	Hardy	D23/262	X
2,783,771	3/1957	Thomas	285/197	X
3,490,177	1/1976	Perrion	220/375	X
3,860,135	1/1975	Yung et al.	220/375	X
4,060,100	11/1977	Miller	220/375	X
4,065,035	12/1977	Eissler	220/375	X
4,123,035	10/1978	Boudreau	285/197	X
4,706,841	11/1987	Grajek	220/375	X

Primary Examiner—James R. Largen
Attorney, Agent, or Firm—Harry W. Barron

[57] **CLAIM**

The ornamental design for a combined pipe coupler and plug, as shown and described.

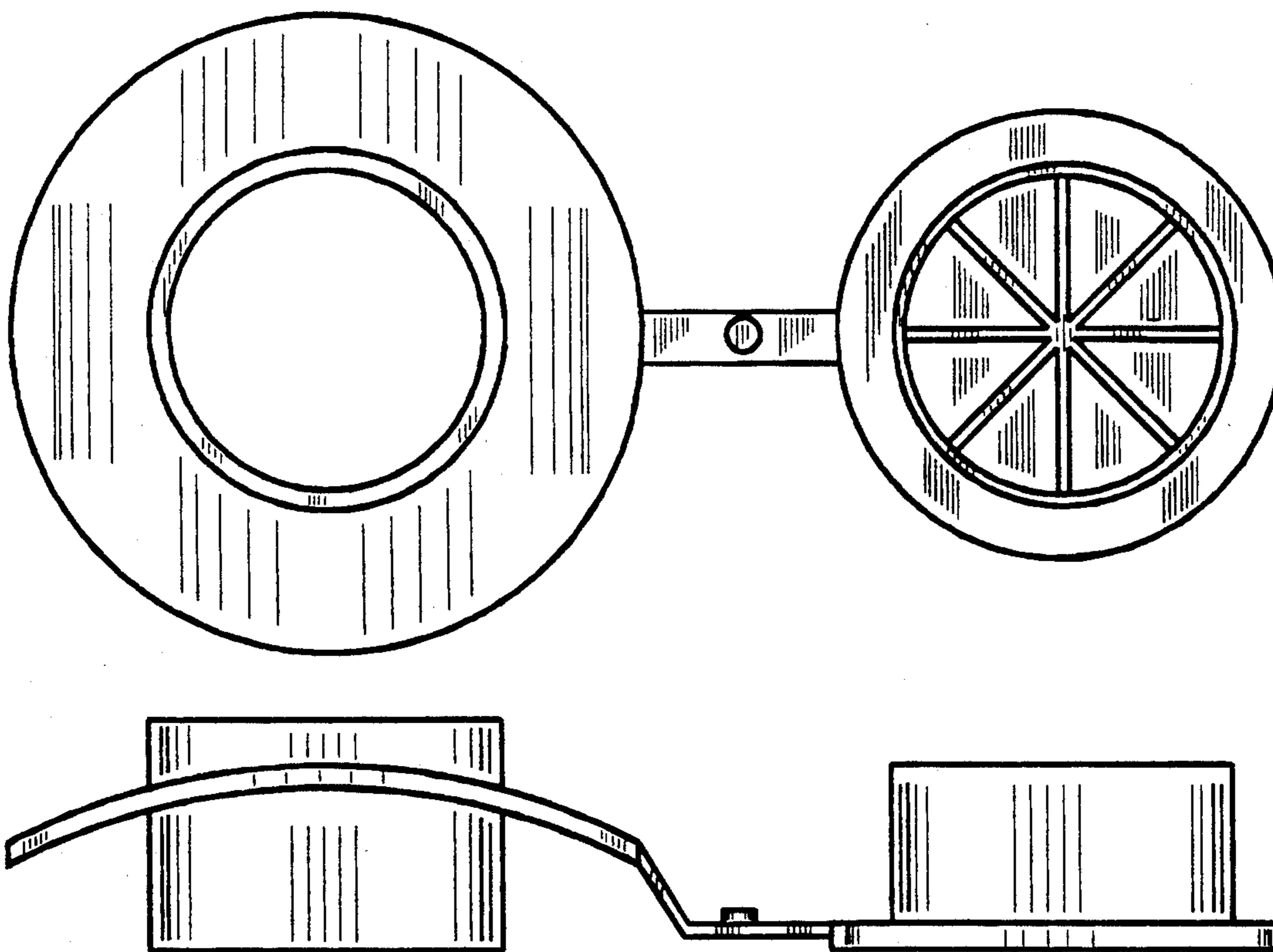
DESCRIPTION

FIG. 1 is a top plan view of a combined pipe coupler and plug showing my new design;
FIG. 2 is a front elevational view thereof, the rear view being a mirror image thereof;
FIG. 3 is a bottom plan view thereof;
FIG. 4 is a right side elevational view thereof; and,
FIG. 5 is a left side elevational view thereof.

[56] **References Cited**

U.S. PATENT DOCUMENTS

D. 186,971	12/1959	Chakine	D23/260
D. 205,276	7/1966	Kort	D23/260
D. 240,428	7/1976	Hoffman	D23/262
D. 257,057	9/1980	Logsdon	D23/260



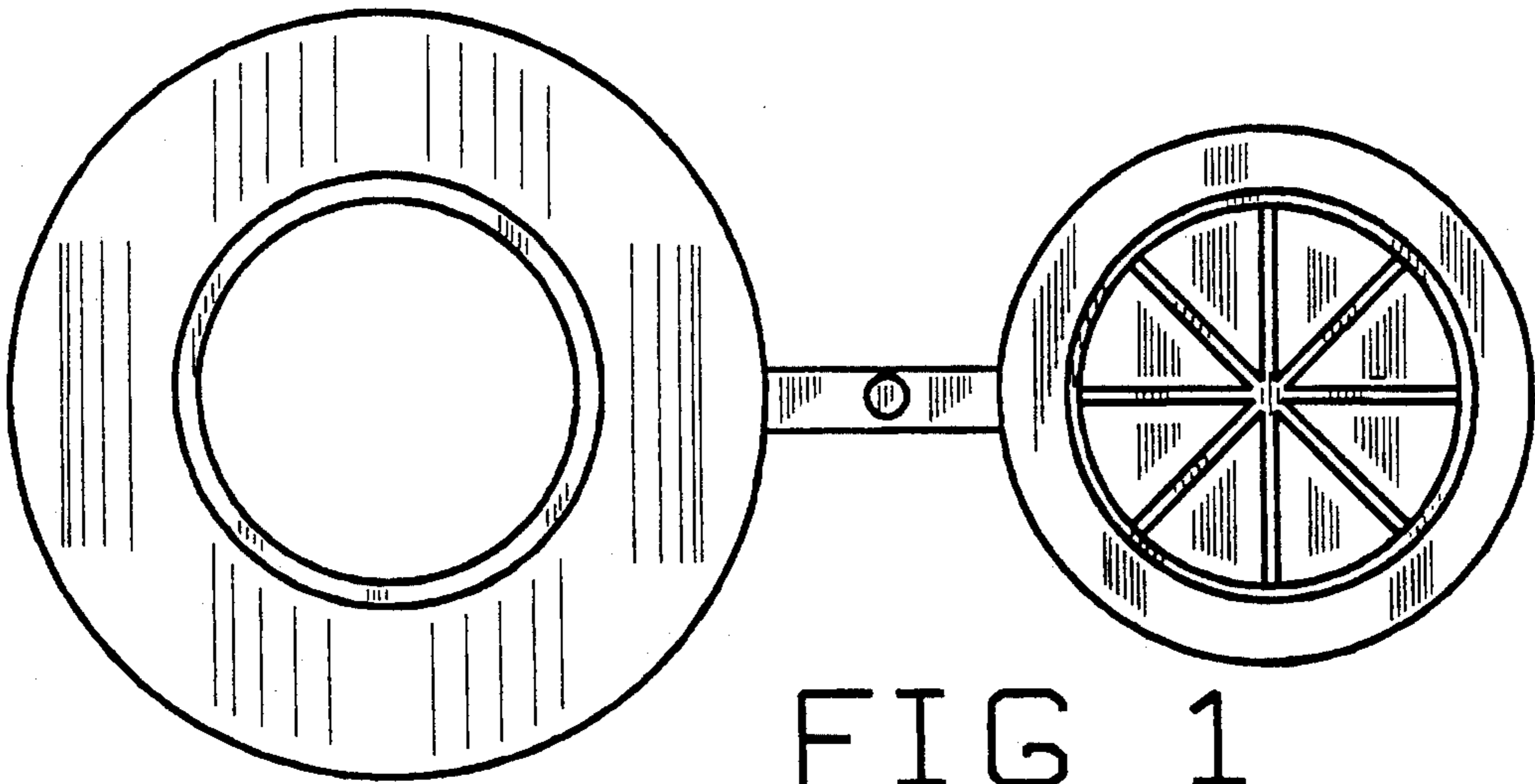


FIG 1

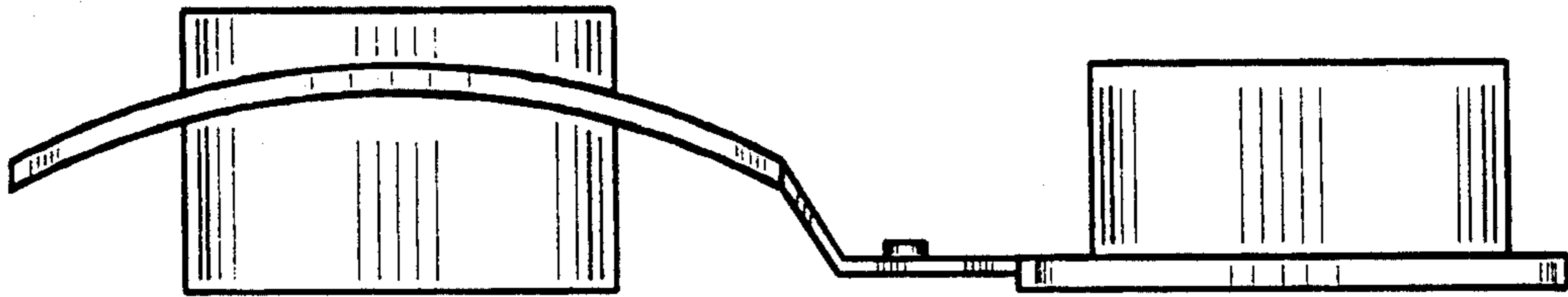


FIG 2

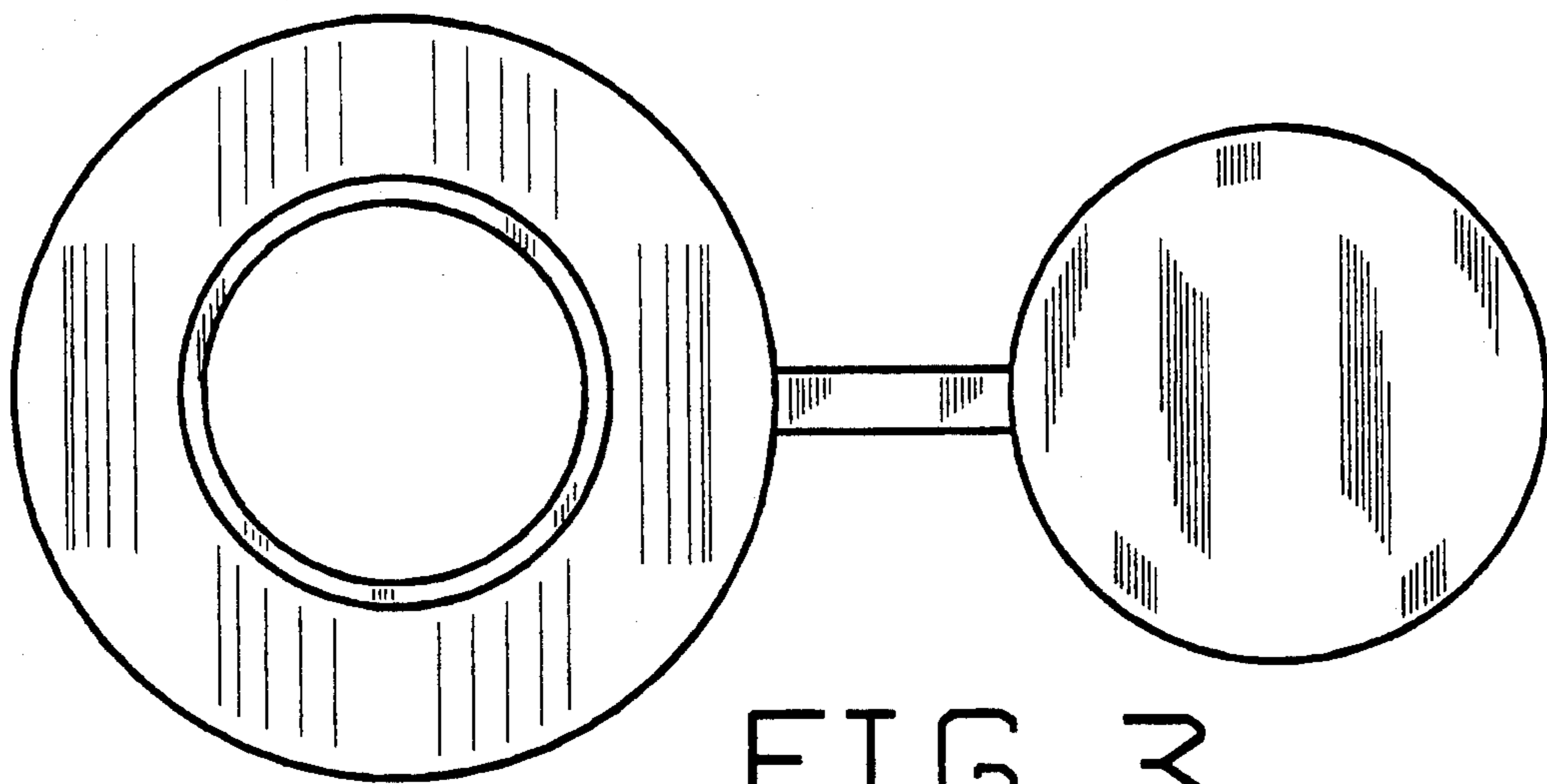


FIG 3

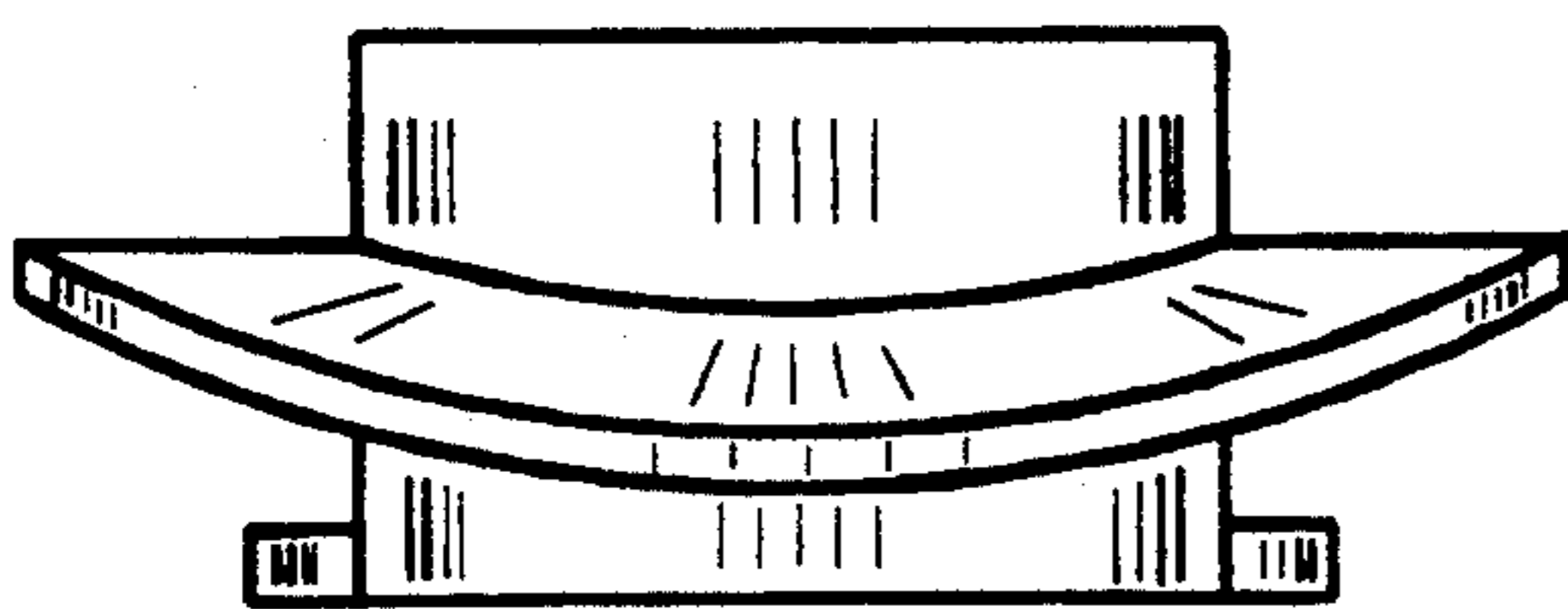


FIG 4

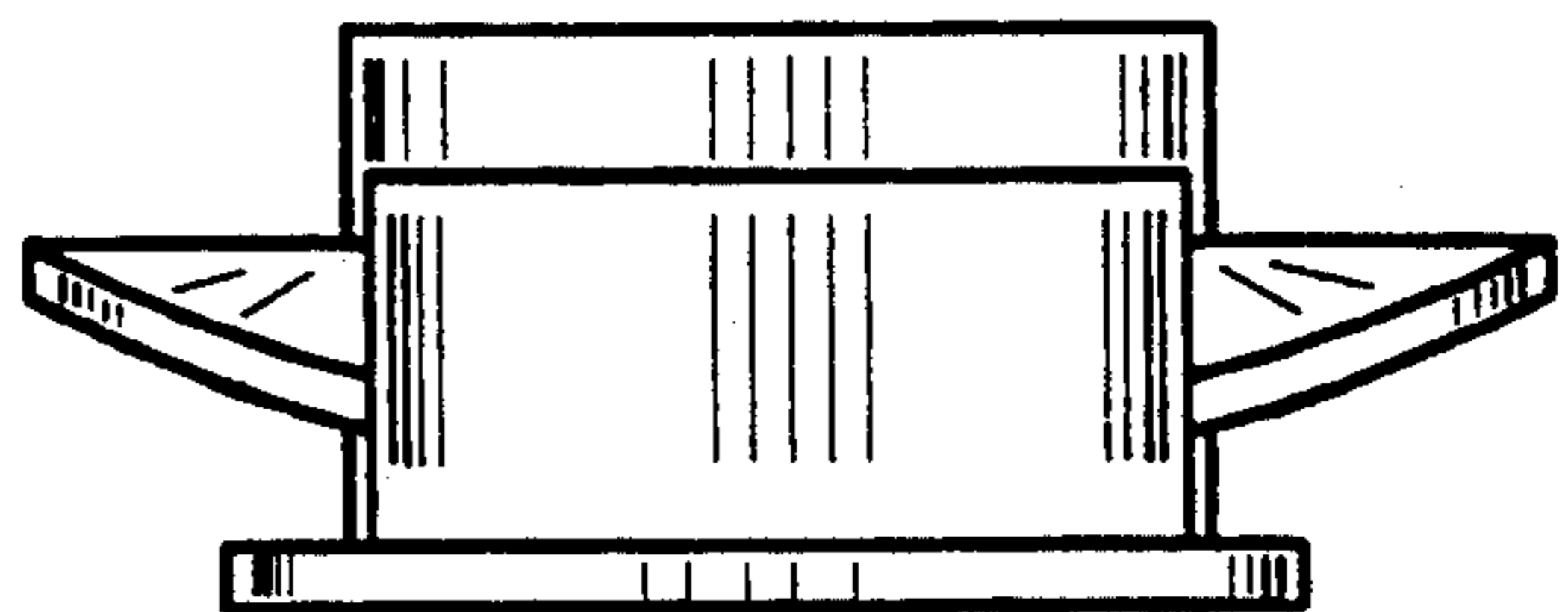


FIG 5