



US00D336678S

United States Patent [19]

[11] Patent Number: **Des. 336,678**

Finkelstein et al.

[45] Date of Patent: **** Jun. 22, 1993**

[54] GREASE FILTER

3,812,972	5/1974	Rosenblum	210/498 X
4,059,528	11/1977	Grosshandler	210/282
4,268,391	5/1981	Paquette	210/445 X
4,537,680	8/1985	Barth	210/448 X

[75] Inventors: **Burl Finkelstein, Shenandoah; Eino M. Lehto, Newnan, both of Ga.**

[73] Assignee: **Kason Industries, Inc., Shenandoah, Ga.**

[*] Notice: The portion of the term of this patent subsequent to Jul. 28, 2006 has been disclaimed.

[**] Term: **14 Years**

[21] Appl. No.: **686,570**

[22] Filed: **Apr. 17, 1991**

OTHER PUBLICATIONS

1 Sheet Photographs—Flame Guard 2-Piece Type (Showing Lanced and Fitted Baffles).

1 Sheet Photographs—Conventional Assembly (Baffled Type filter).

Primary Examiner—Wallace R. Burke

Assistant Examiner—M. H. Tung

Attorney, Agent, or Firm—Kennedy & Kennedy

[57] CLAIM

The ornamental design for a grease filter, as shown and described.

Related U.S. Application Data

[63] Continuation-in-part of Ser. No. 597,748, Oct. 12, 1990, Pat. No. Des. 331,962, which is a continuation-in-part of Ser. No. 556,795, Jul. 23, 1990, Pat. No. Des. 328,334.

[52] U.S. Cl. **D23/209**

[58] Field of Search **D23/207-210; 210/282, 443-449, 498, 231; D10/109, 111**

[56] References Cited

U.S. PATENT DOCUMENTS

D. 307,462	4/1990	Merkouris	D23/209
786,203	3/1905	Gailey	210/498 X

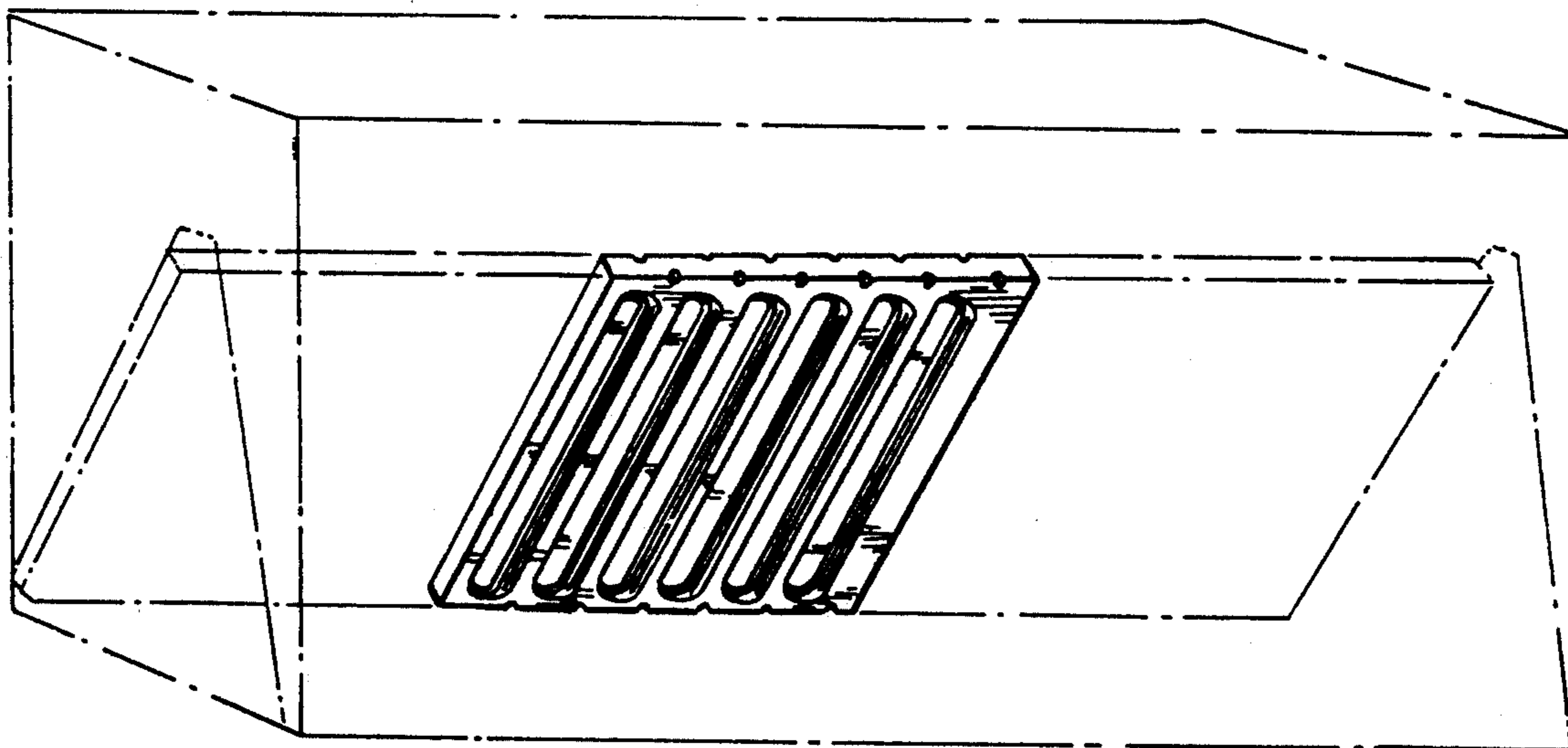
DESCRIPTION

FIG. 1 is a perspective view of a grease filter showing our new design, the broken line drawing of a kitchen stove exhaust air hood is for illustrative purposes only and forms no part of the claimed design, on a reduced scale;

FIG. 2 is a front elevational view thereof, the rear view being identical;

FIG. 3 is a top plan view thereof, the bottom view being identical; and,

FIG. 4 is a side elevational view thereof, the opposite side being identical.



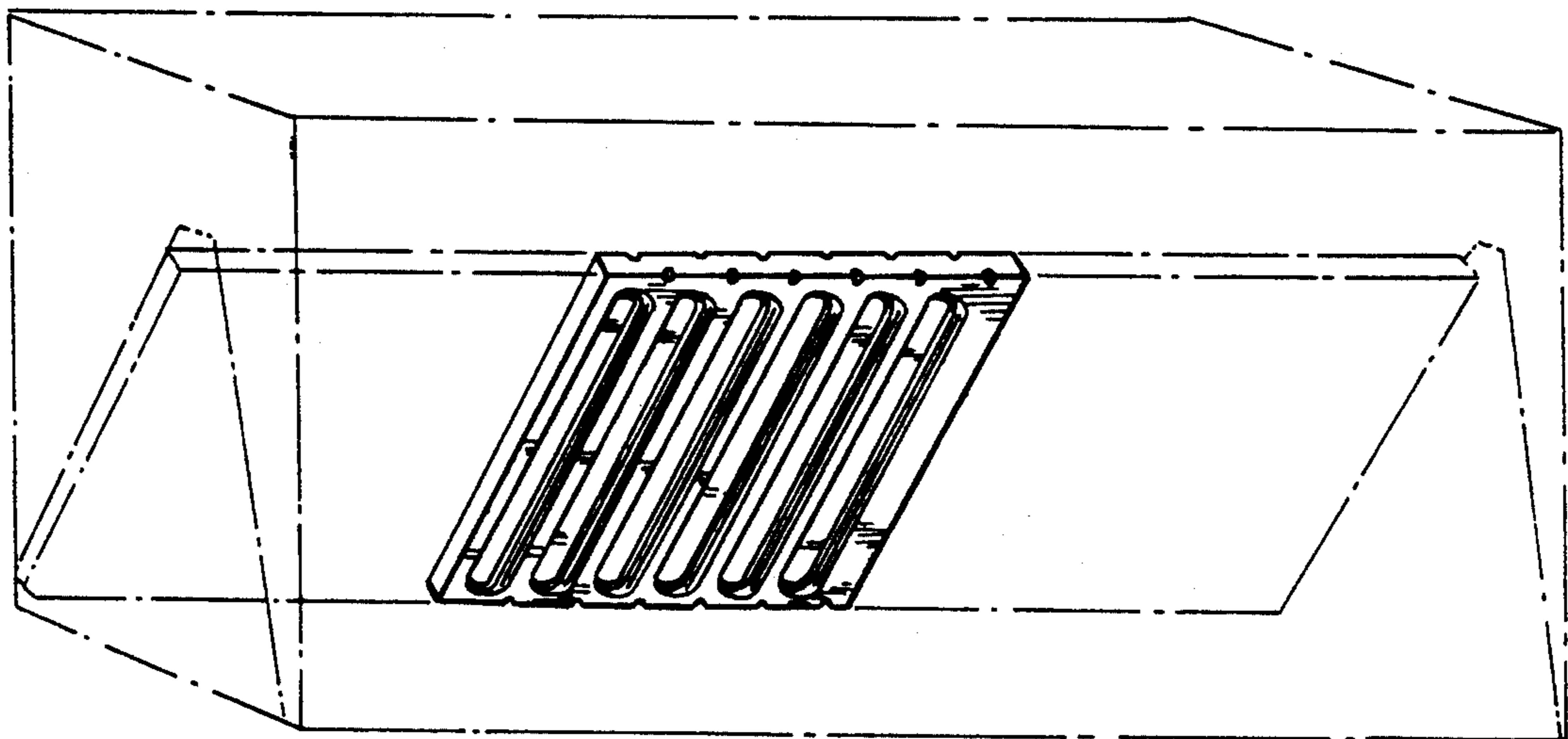


Fig 1

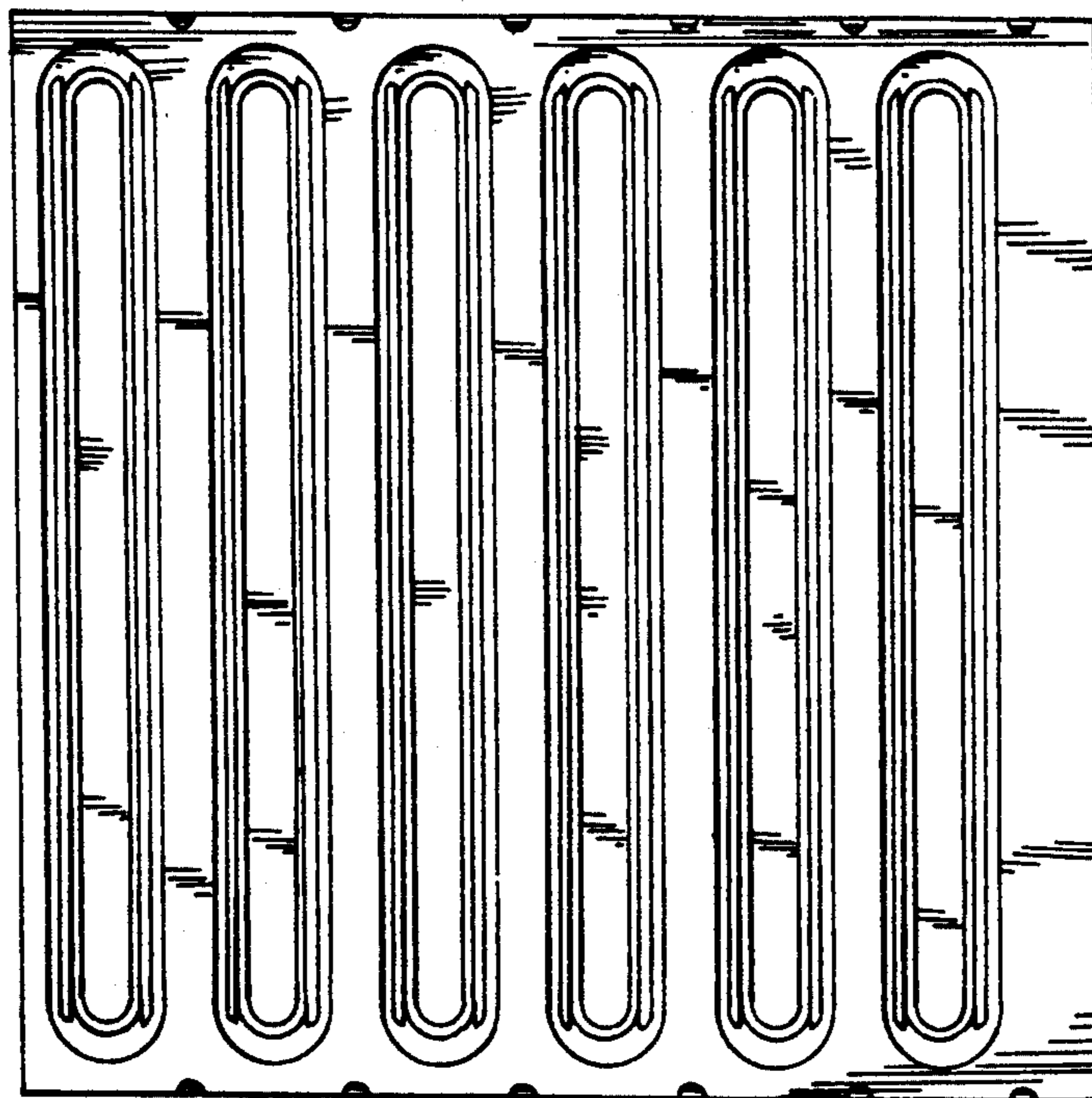


Fig 2



Fig 3



Fig 4