



US00D336677S

# United States Patent [19] Shiozaki

[11] Patent Number: **Des. 336,677**  
[45] Date of Patent: **\*\* Jun. 22, 1993**

- [54] FISHING REEL
- [75] Inventor: **Akihisa Shiozaki, Musashino, Japan**
- [73] Assignee: **Daiwa Seiko, Inc., Tokyo, Japan**
- [\*\*] Term: **14 Years**
- [21] Appl. No.: **662,793**
- [22] Filed: **Feb. 28, 1991**

### [30] Foreign Application Priority Data

- Aug. 28, 1990 [JP] Japan ..... 2-28789
- [52] U.S. Cl. .... **D22/141**
- [58] Field of Search ..... D22/141, 140;  
242/230-236, 257-262, 279

### [56] References Cited

#### U.S. PATENT DOCUMENTS

- D. 294,855 3/1988 Iinuma et al. .... D22/141
- D. 309,340 7/1990 Kameda et al. .... D22/141
- D. 309,650 7/1990 Kameda et al. .... D22/141
- D. 314,808 2/1991 Yoshikawa ..... D22/141
- D. 315,777 3/1991 Kameda et al. .... D22/141

#### OTHER PUBLICATIONS

Japanese Design Journal (s) issued Apr. 5, 1988, Japanese Design Registration No. 728848 (Daiwa Seiko, Inc.).  
Japanese Design Journal (s) issued Jun. 21, 1988, Japa-

nese Design Registration No. 728848-Similar Design No. 2, (Daiwa Seiko, Inc.).  
Japanese Design Journal (s) issued Mar. 30, 1988, Japanese Design Registration No. 728359, (Shimano Industrial Company Limited).  
Japanese Design Journal (s) issued Jun. 12, 1989, Japanese Design Registration No. 763987 (Daiwa Seiko, Inc.).  
Japanese Design Journal (s) issued Dec. 20, 1989, Japanese Design Registration No. 777832, (Daiwa Seiko, Inc.).

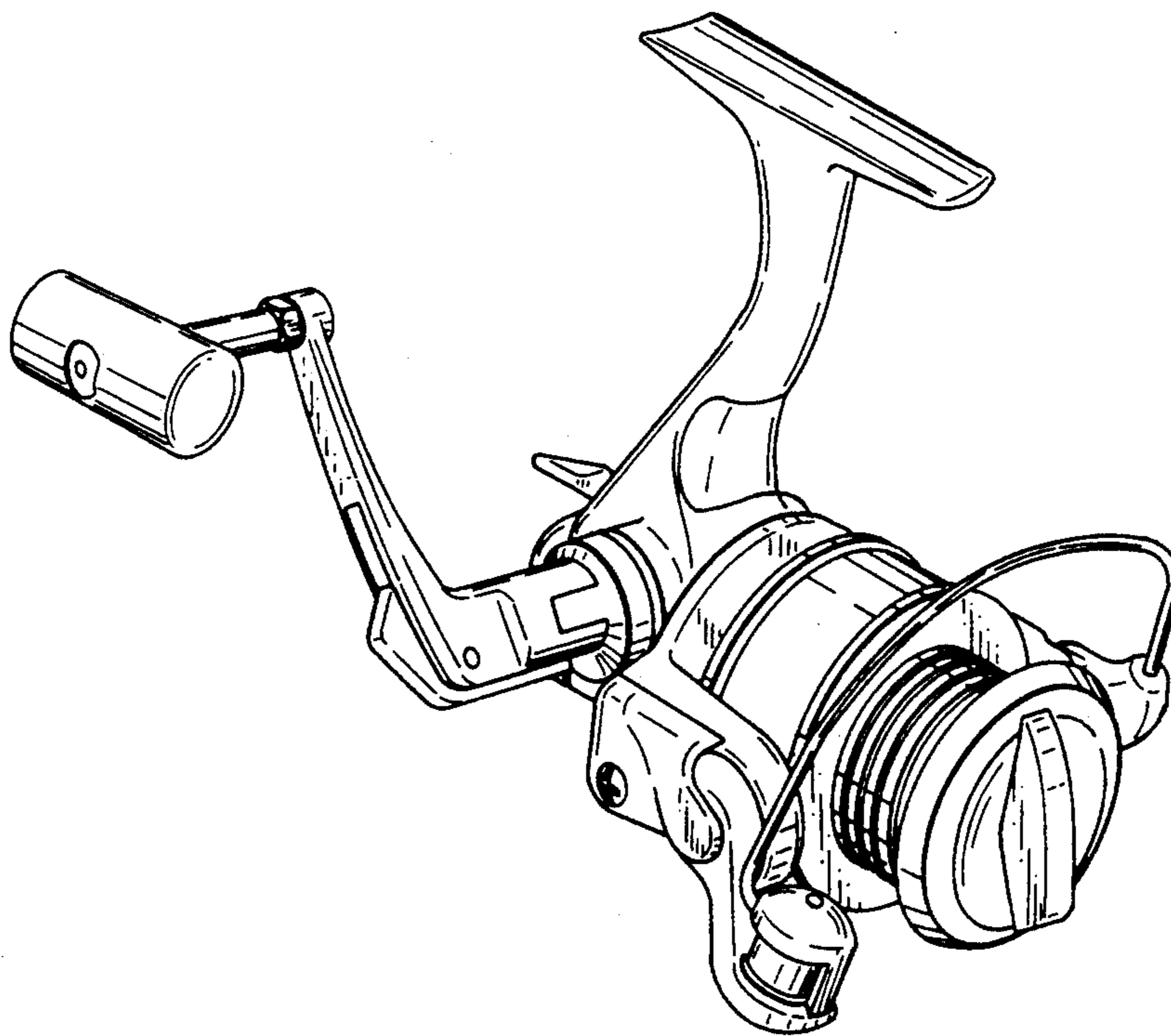
*Primary Examiner*—A. Hugo Word  
*Assistant Examiner*—Doris V. Coles  
*Attorney, Agent, or Firm*—Cushman, Darby & Cushman

### [57] CLAIM

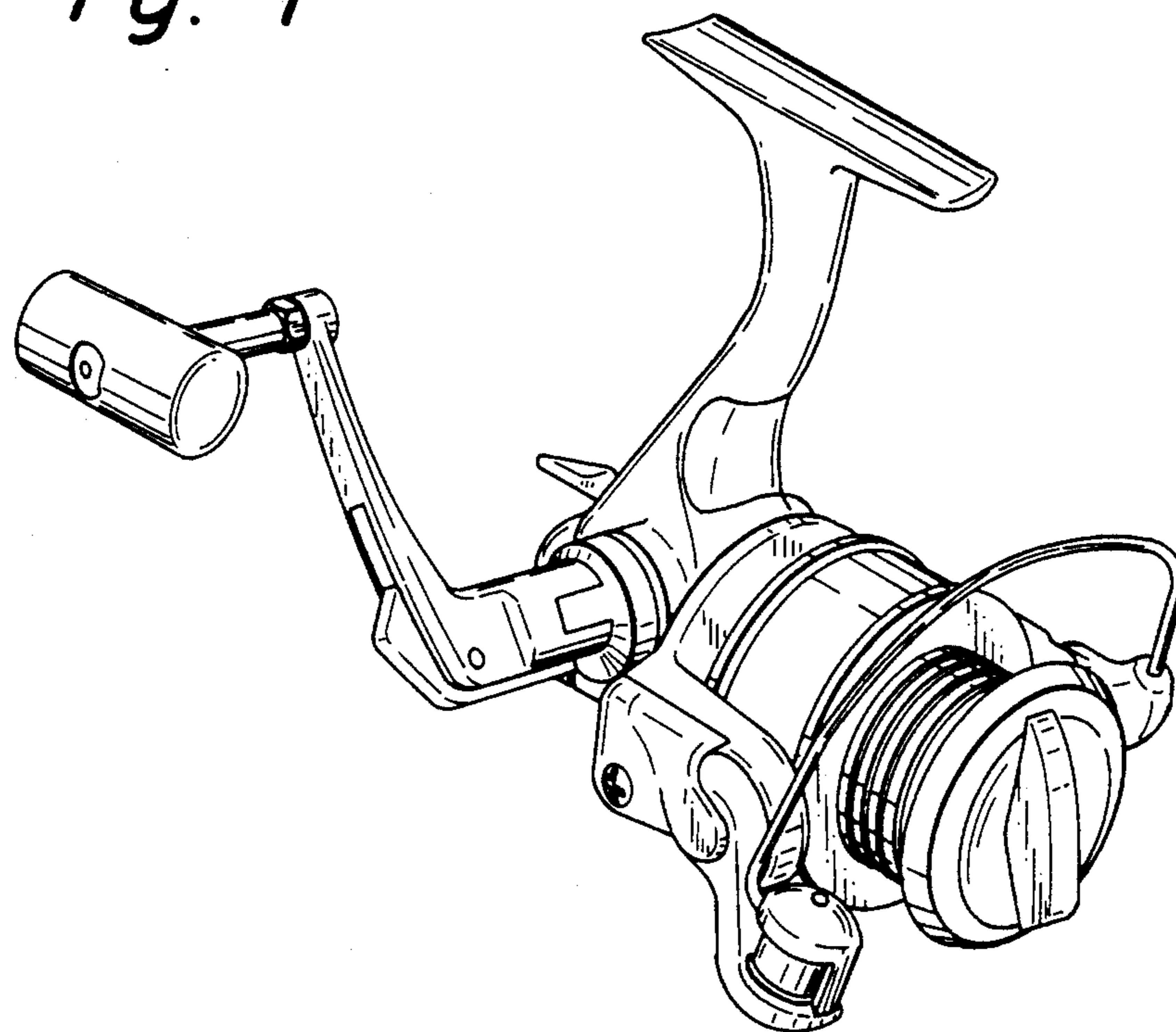
The ornamental design for a fishing reel, as shown and described.

### DESCRIPTION

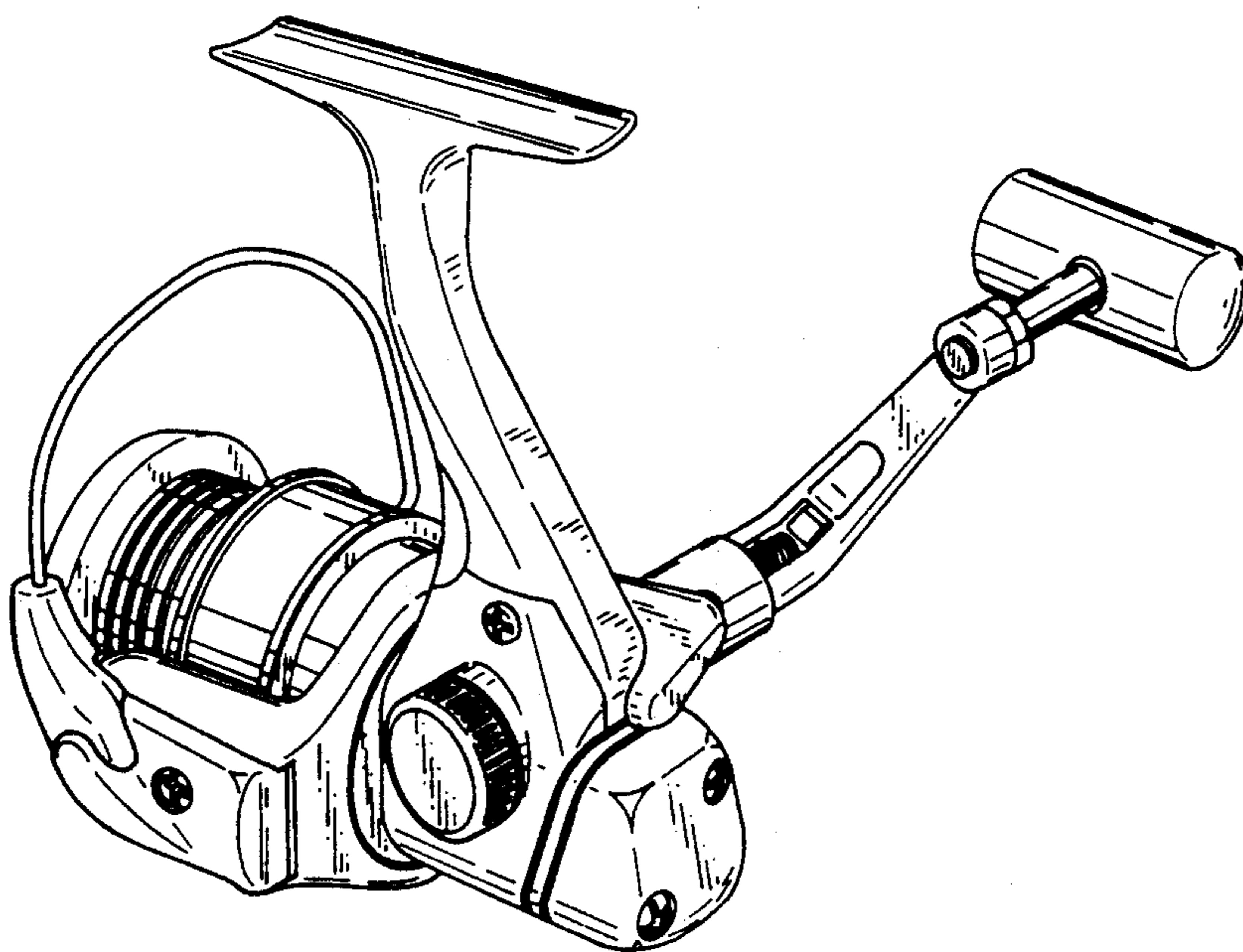
FIG. 1 is a top, rear and one side perspective view of a fishing reel showing my new design;  
FIG. 2 is a top, front and the opposite side perspective view thereof;  
FIG. 3 is a front elevational view thereof;  
FIG. 4 is a rear elevational view thereof;  
FIG. 5 is a side elevational view of one side thereof;  
FIG. 6 is a side elevational view of the opposite side thereof;  
FIG. 7 is a top plan view thereof; and,  
FIG. 8 is a bottom view thereof.



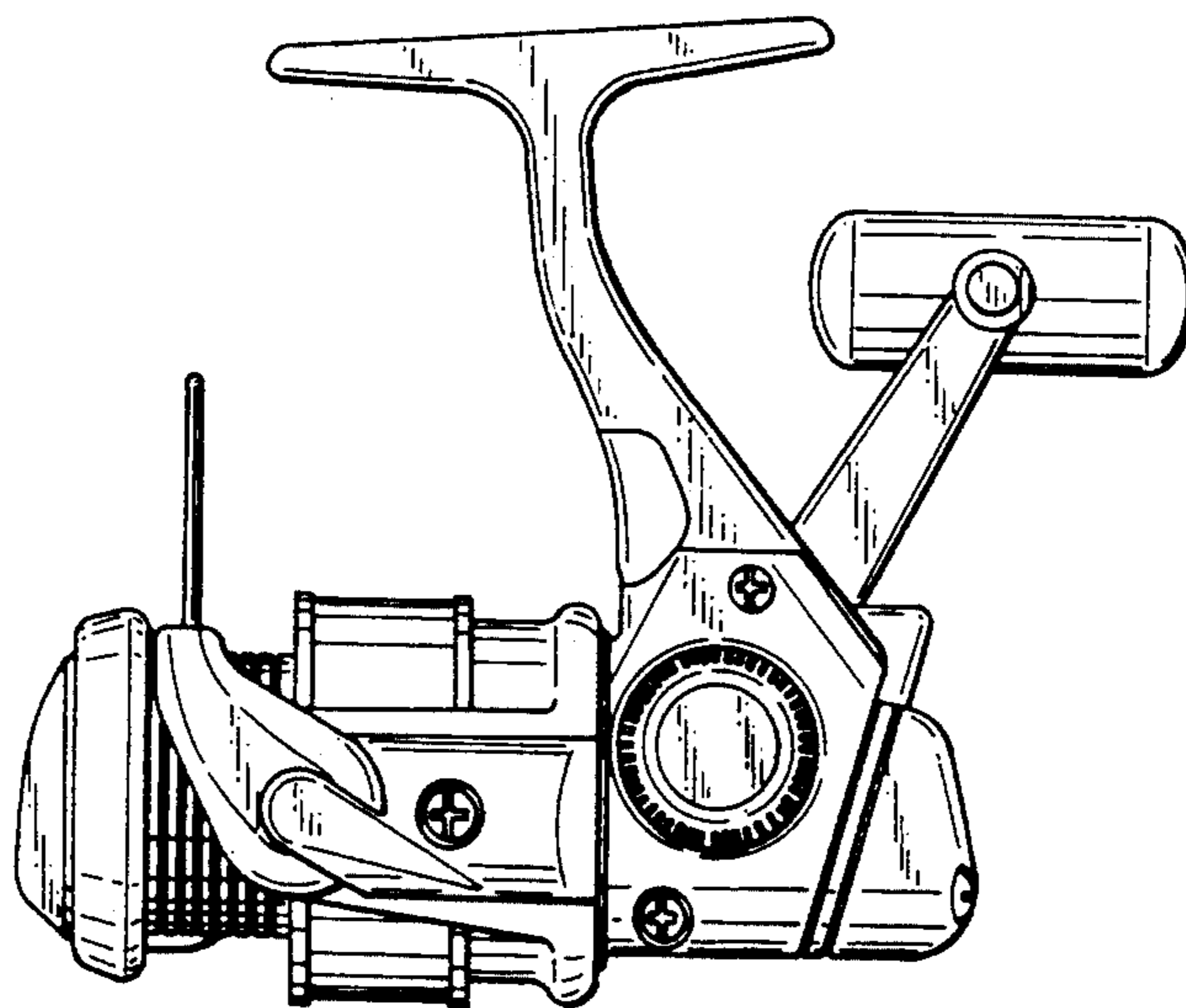
*Fig. 1*



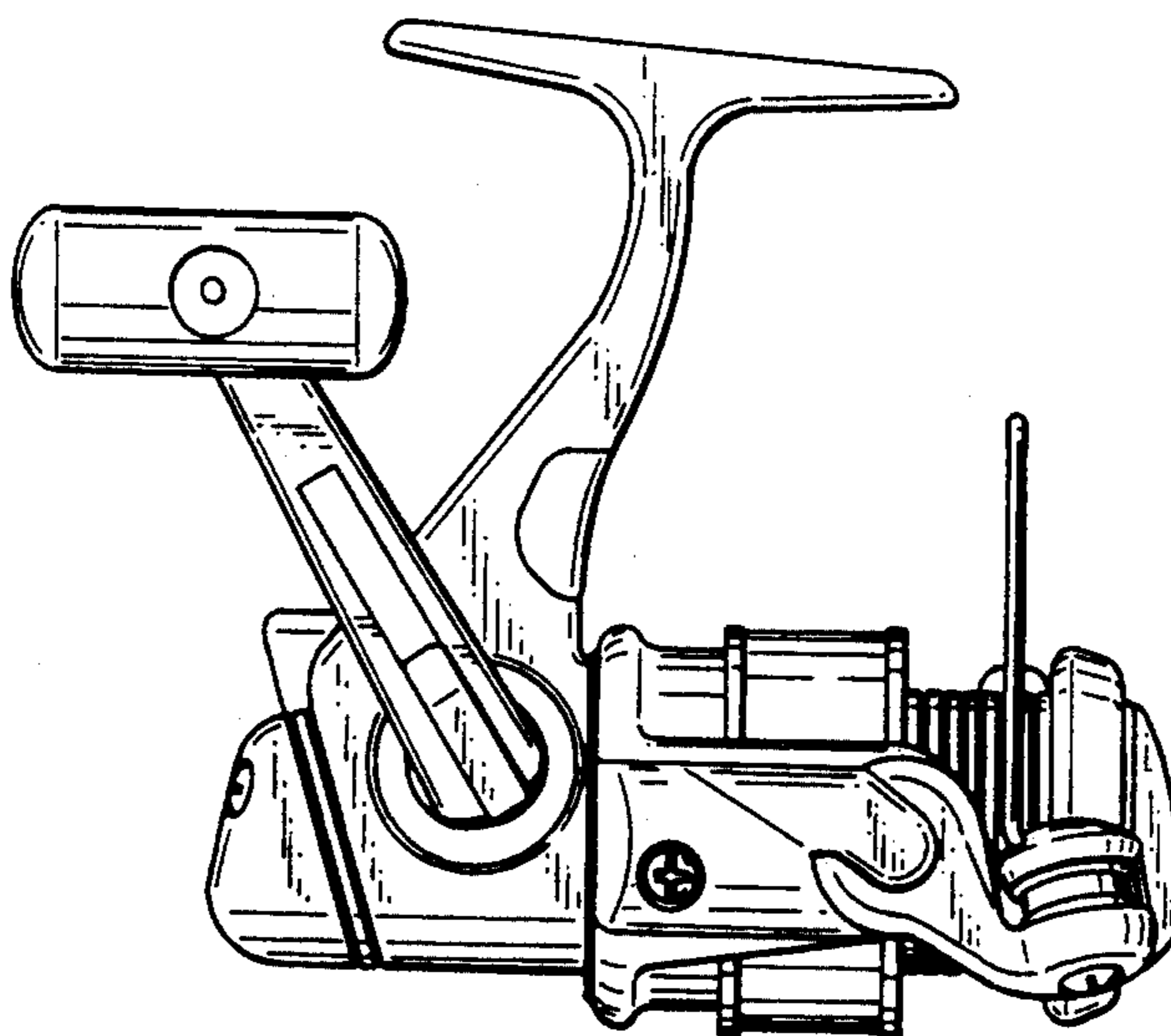
*Fig. 2*



*Fig. 3*

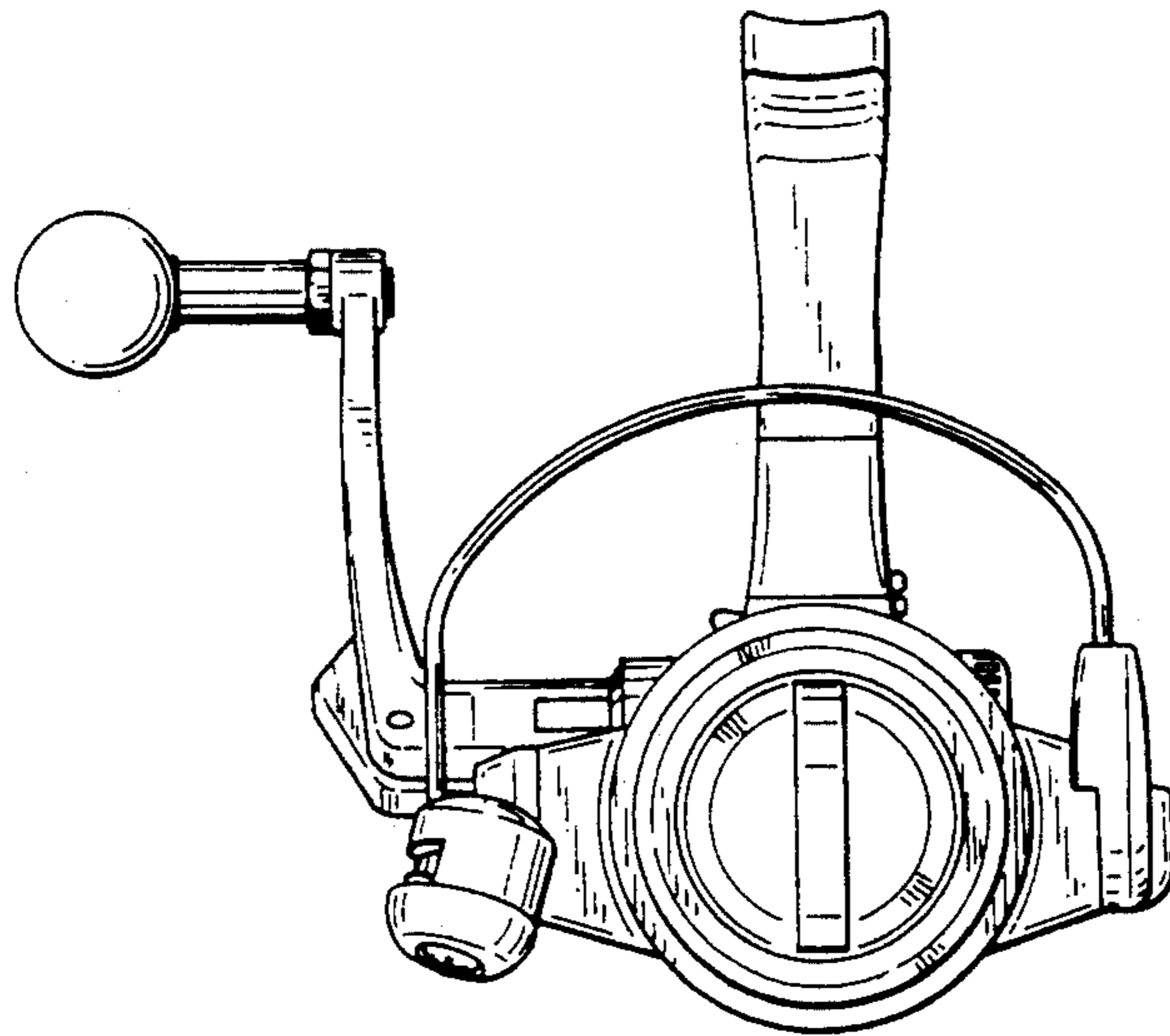


*Fig. 4*

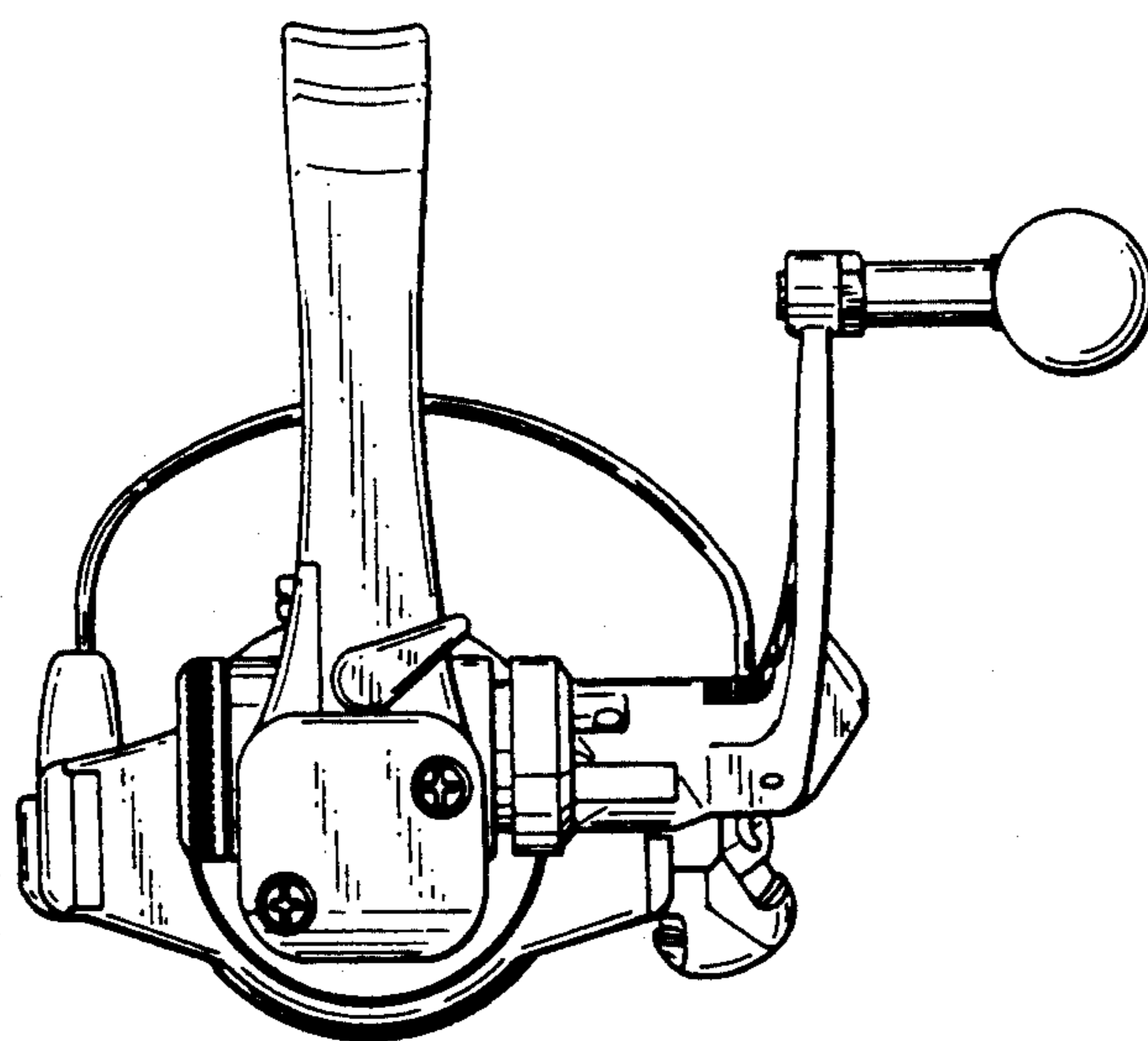




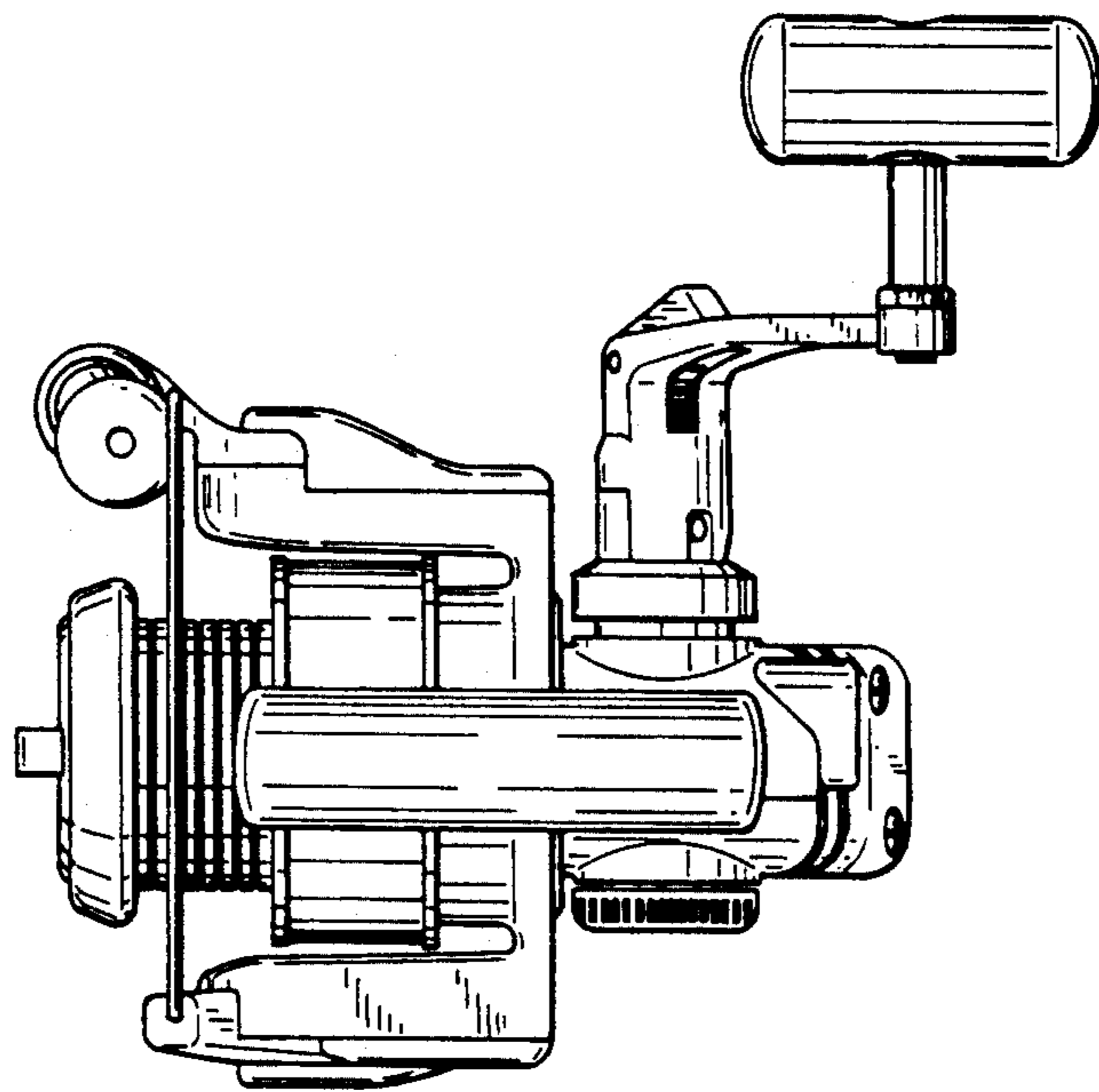
*Fig. 5*



*Fig. 6*



*Fig. 7*



*Fig. 8*

