



US00D336671S

United States Patent [19]
Novakoski

[11] **Patent Number: Des. 336,671**
[45] **Date of Patent: ** Jun. 22, 1993**

[54] **EXERCISE PLATFORM**

[76] **Inventor: Frank Novakoski, 2415 Brittany Ct.,
Ponte Vedra Beach, Fla. 32082**

[**] **Term: 14 Years**

[21] **Appl. No.: 935,368**

[22] **Filed: Aug. 26, 1992**

D. 321,918 11/1991 Blanchard D21/191
2,842,365 7/1958 Kelley 482/51
4,779,862 10/1988 Keppler 482/51
4,940,226 7/1990 Carra 482/51
5,052,682 10/1991 Croce, Jr. et al. 482/51

Primary Examiner—Bernard Ansher
Assistant Examiner—Philip Hyder
Attorney, Agent, or Firm—Young & Thompson

Related U.S. Application Data

[63] Continuation-in-part of Ser. No. 524,833, May 18,
1990, Pat. No. Des. 330,922.

[52] **U.S. Cl. D21/191**

[58] **Field of Search D21/191, 193; 482/51,
482/71; D6/616, 596; D7/550**

[56] **References Cited**

U.S. PATENT DOCUMENTS

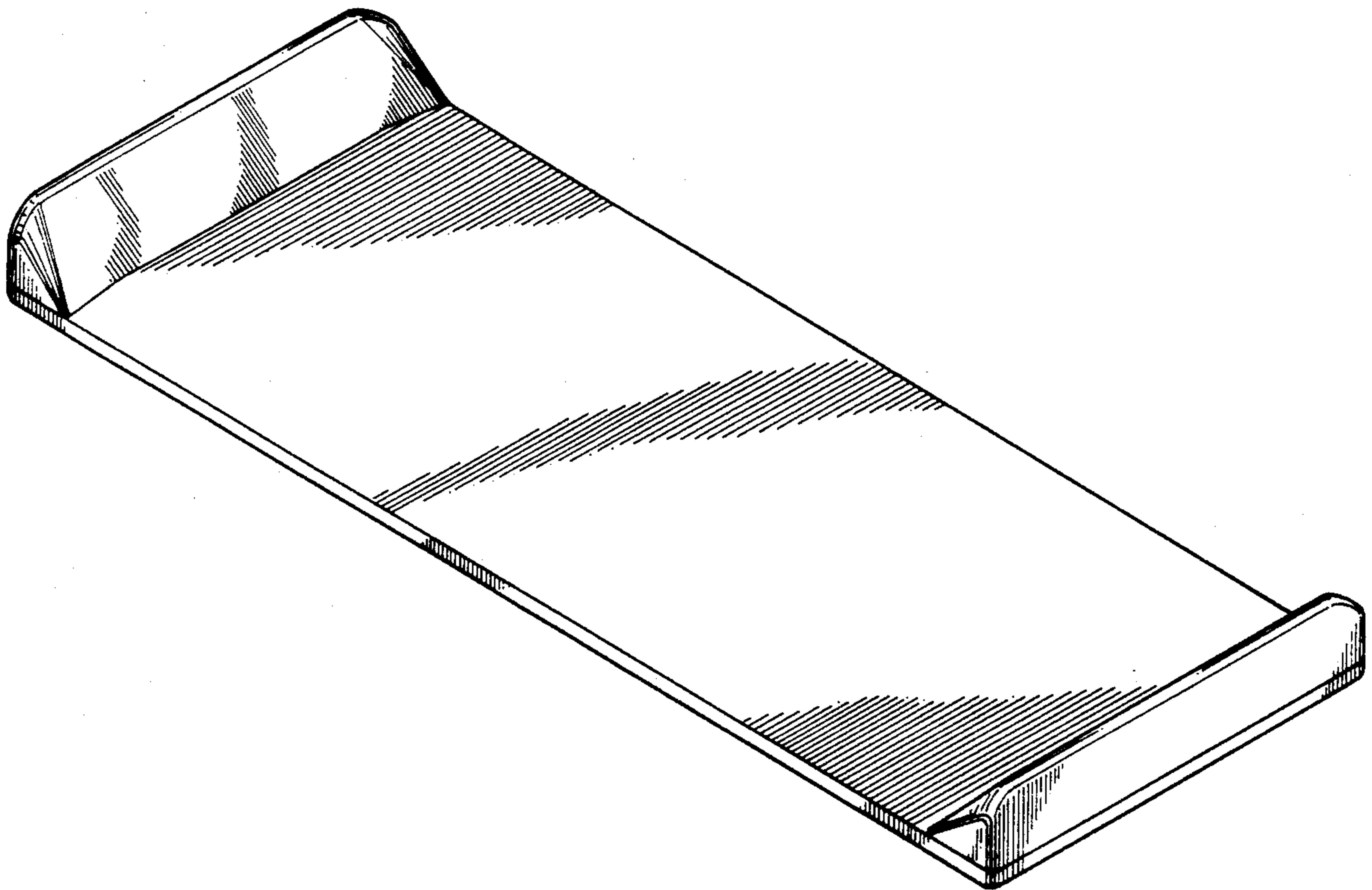
D. 173,319 10/1954 Levenhagen D7/550
D. 267,513 1/1983 Weigel et al. D21/193
D. 281,260 11/1985 Smith D21/191
D. 298,266 10/1988 Reyneke D21/191

[57] **CLAIM**

The ornamental design for an exercise platform, as shown and described.

DESCRIPTION

FIG. 1 is a perspective view of an exercise platform, showing my new design;
FIG. 2 is a top plan view thereof, shown fragmentarily for ease of illustration;
FIG. 3 is a front elevational view of FIG. 2, the rear view appearing the same;
FIG. 4 is a right side elevational view of FIG. 2, the left view appearing the same; and,
FIG. 5 is a bottom plan view of FIG. 2.



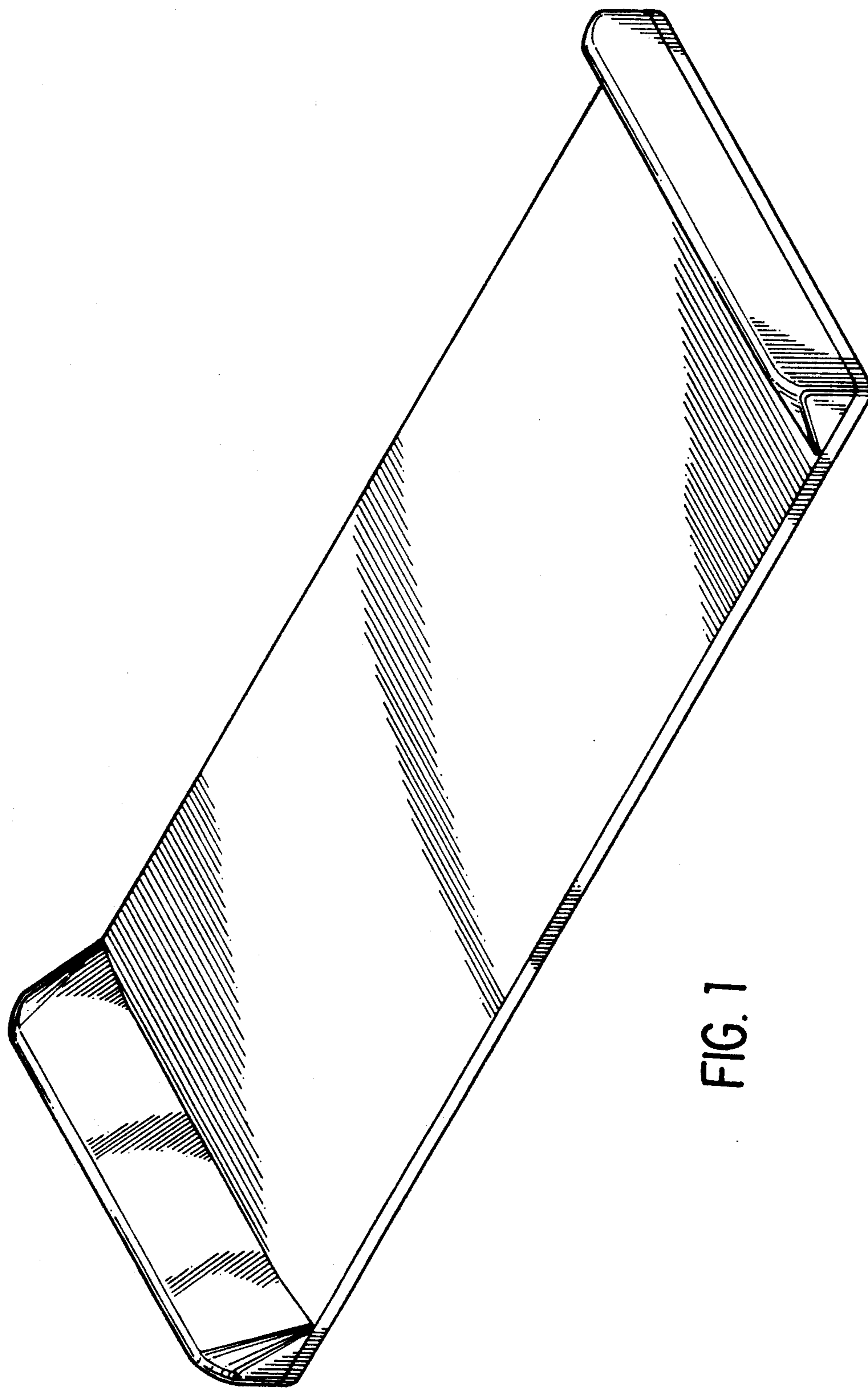


FIG. 1

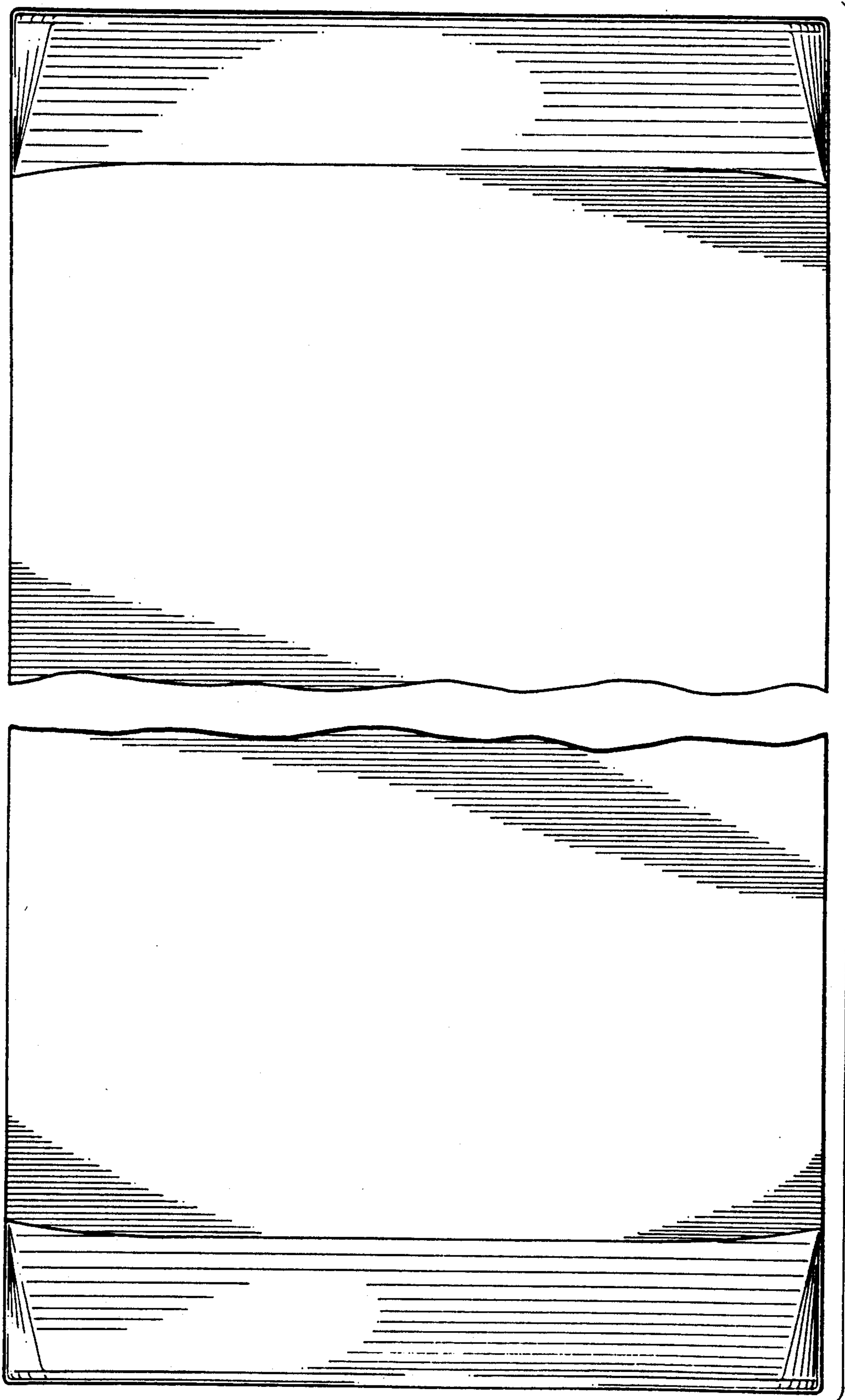


FIG. 2

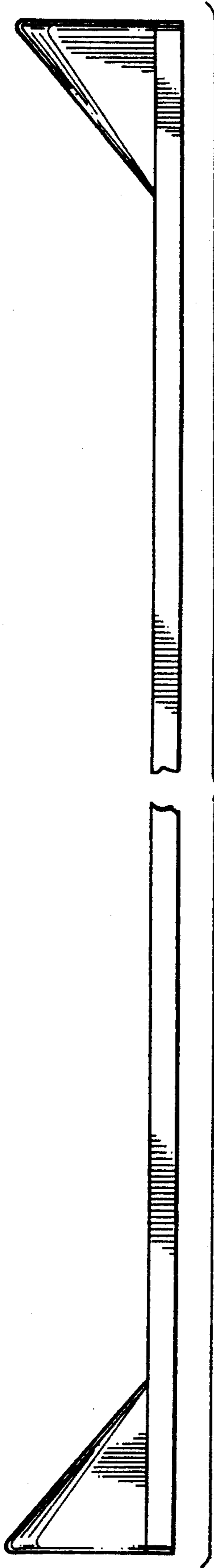


FIG. 3

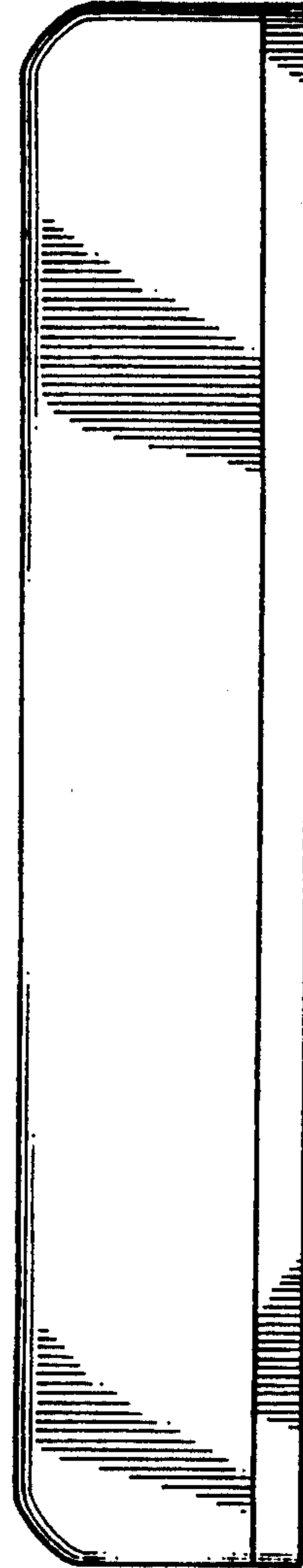


FIG. 4

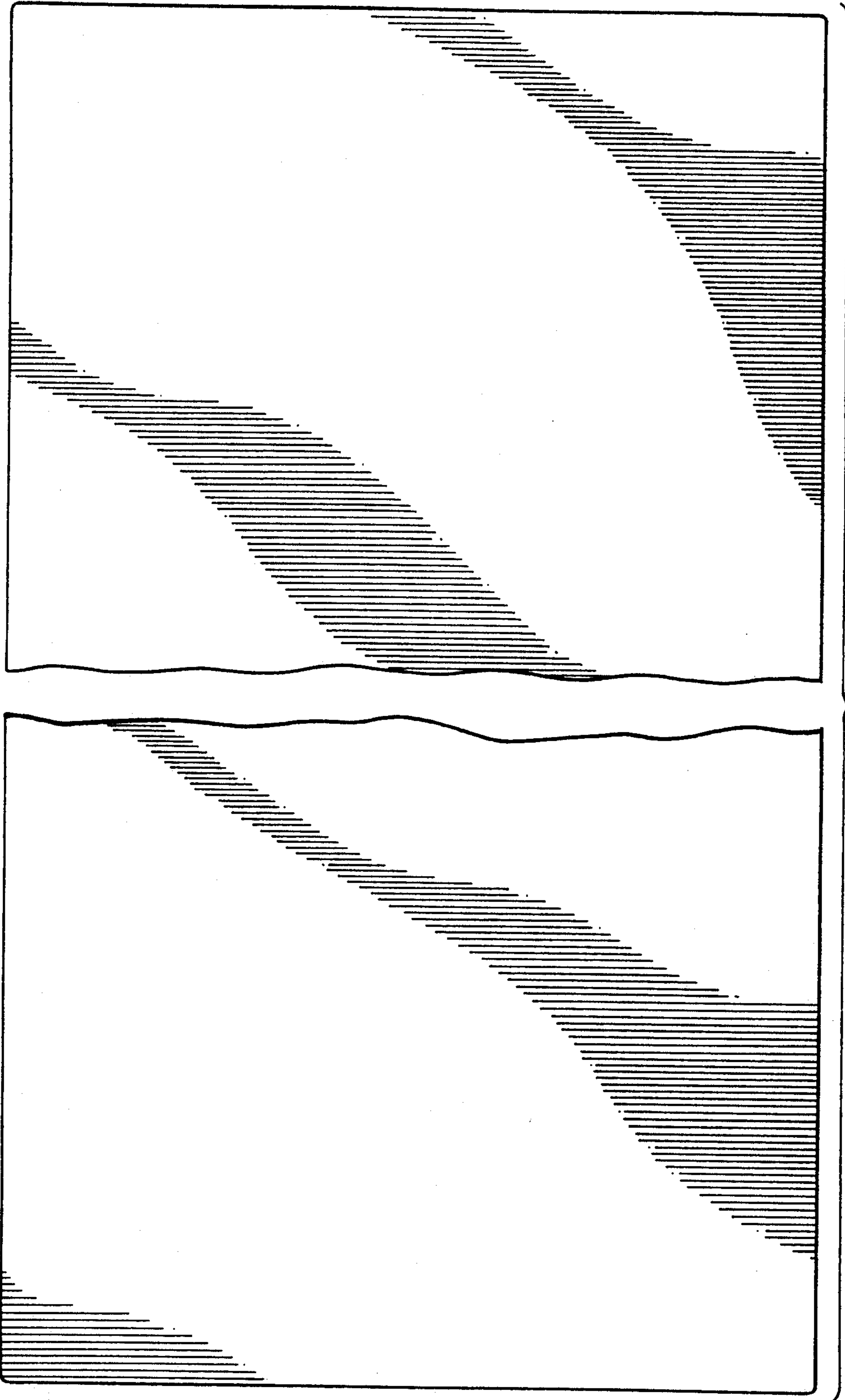


FIG. 5