



US00D336667S

**United States Patent** [19]  
**Monneret**

[11] **Patent Number: Des. 336,667**  
[45] **Date of Patent: \*\* Jun. 22, 1993**

[54] **TOY STROLLER**

[75] **Inventor: Alain Monneret, Voiteur, France**  
[73] **Assignee: Monneret Jouets Societe Anonyme,  
Lons le Saunier, France**  
[\*\*] **Term: 14 Years**  
[21] **Appl. No.: 870,715**  
[22] **Filed: Apr. 17, 1992**

[56] **References Cited**

**U.S. PATENT DOCUMENTS**

2,873,123	2/1959	Eppinger .....	280/643
3,421,774	1/1969	Patterson .....	280/642
4,632,421	12/1986	Shamie .....	280/47.36
4,779,879	10/1988	Kassai .....	280/47.36
5,087,066	2/1992	Mong-Hsing .....	280/644

*Primary Examiner*—Bernard Ansher  
*Assistant Examiner*—R. Barkai  
*Attorney, Agent, or Firm*—Young & Thompson

[57] **CLAIM**

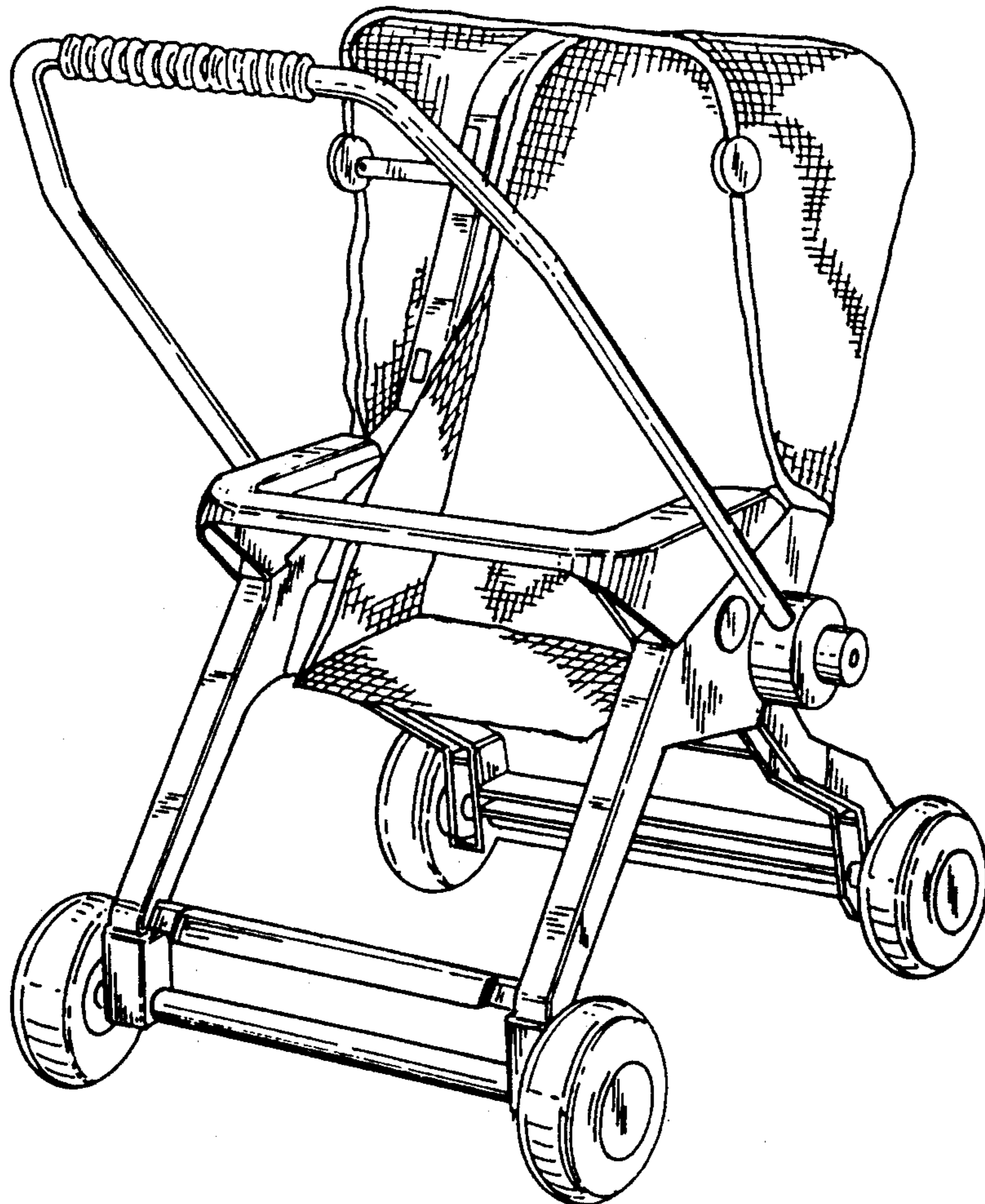
The ornamental design for a toy stroller, as shown and described.

**DESCRIPTION**

[30] **Foreign Application Priority Data**

Dec. 20, 1991 [XH] Hague ..... DM/021490  
[52] **U.S. Cl.** ..... **D21/134**  
[58] **Field of Search** ..... D21/73, 76-80,  
D21/124, 128, 134, 136, 139, 141, 141.1, 142,  
161, 168, 177, 250; D12/85, 92, 128, 129;  
D19/63; 446/7, 279, 281, 451, 465; 280/47.36,  
642-644, 658

FIG. 1 is a front, side and top perspective view of a toy stroller showing my new design;  
FIG. 2 is a front elevational view thereof;  
FIG. 3 is a rear elevational view thereof;  
FIG. 4 is a side elevational view thereof from the right of FIG. 2, the side opposite that shown in FIG. 4 being the mirror image thereof; and,  
FIG. 5 is a top plan view thereof.



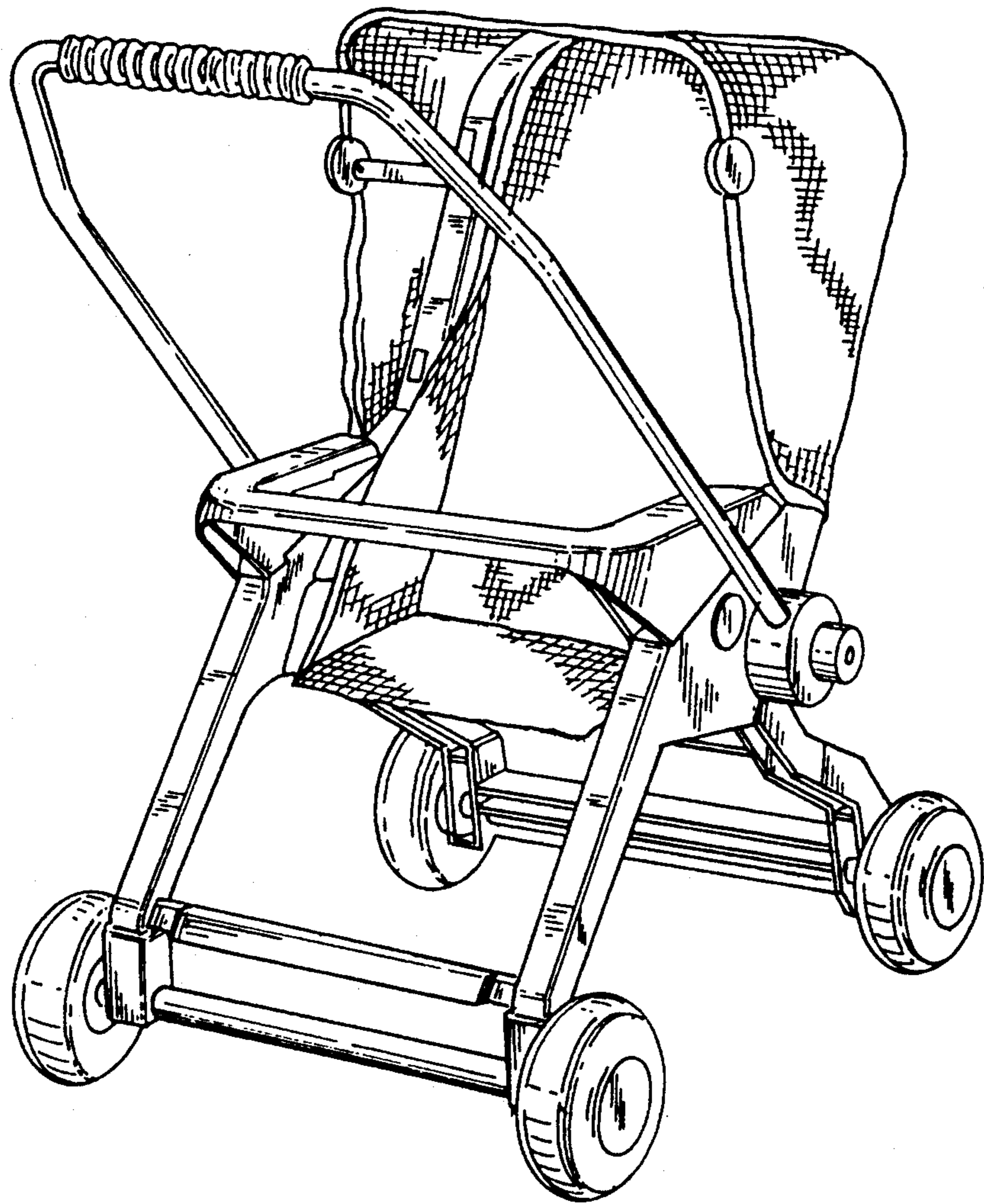


FIG. 1

FIG. 3

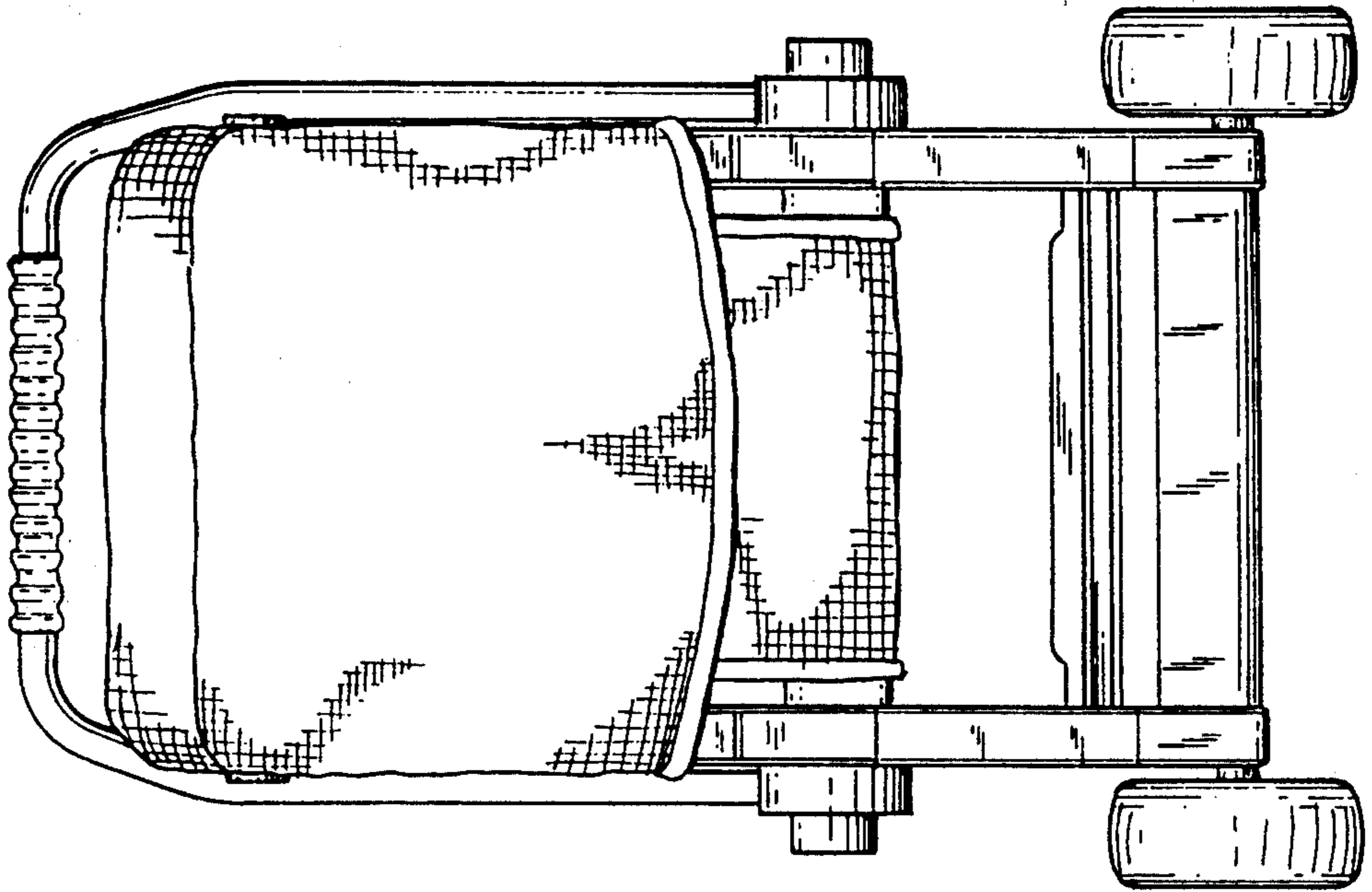
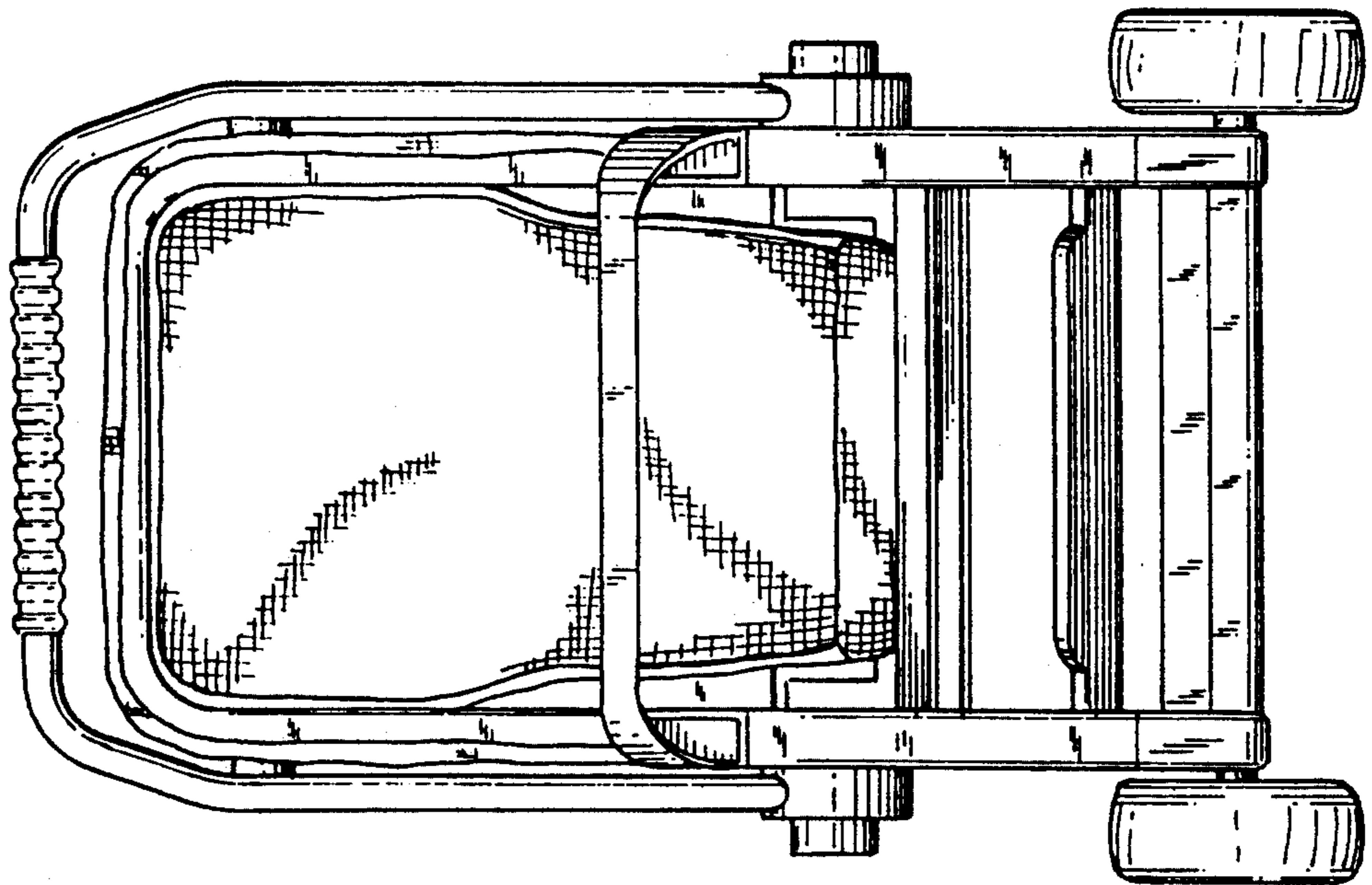


FIG. 2



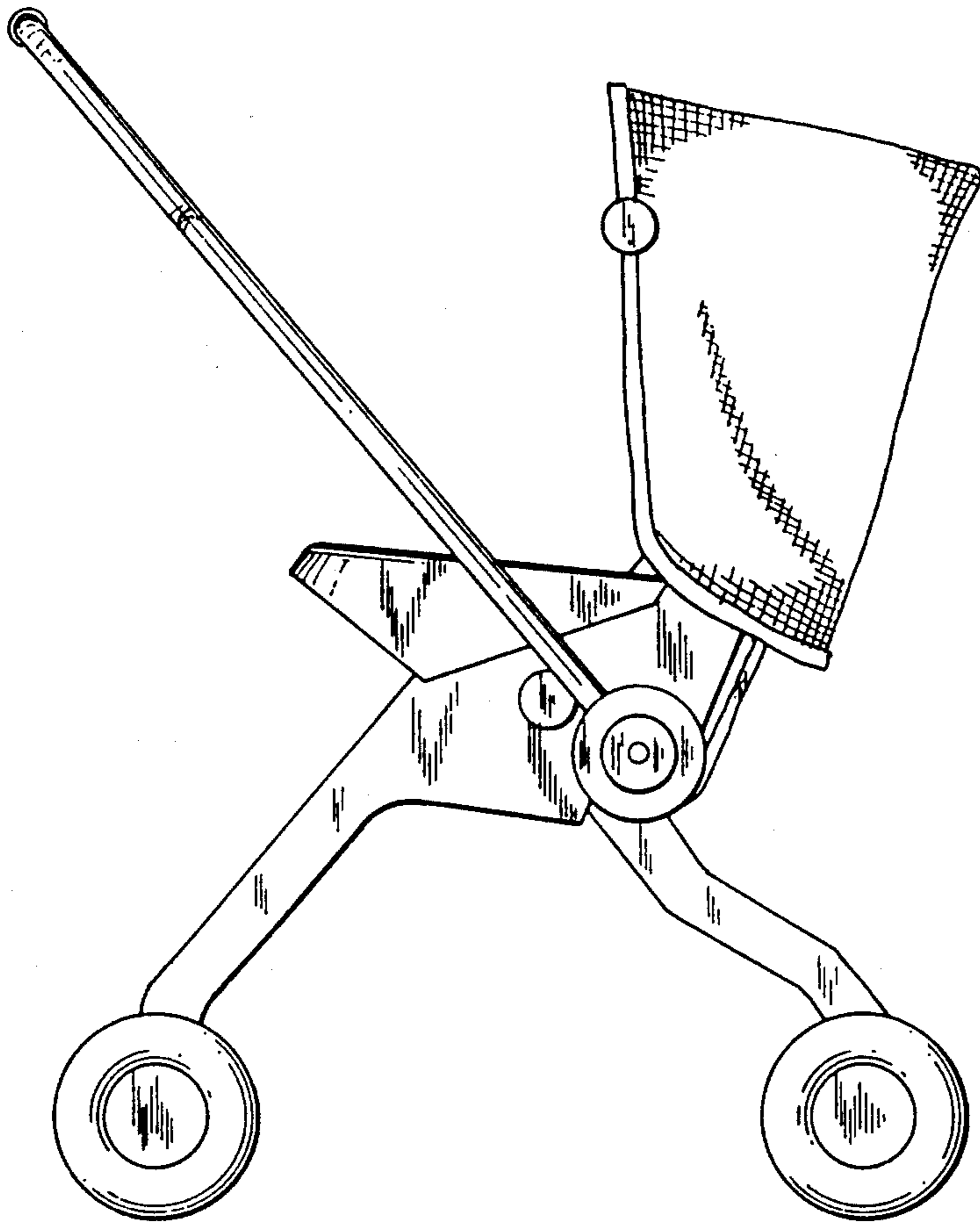


FIG. 4

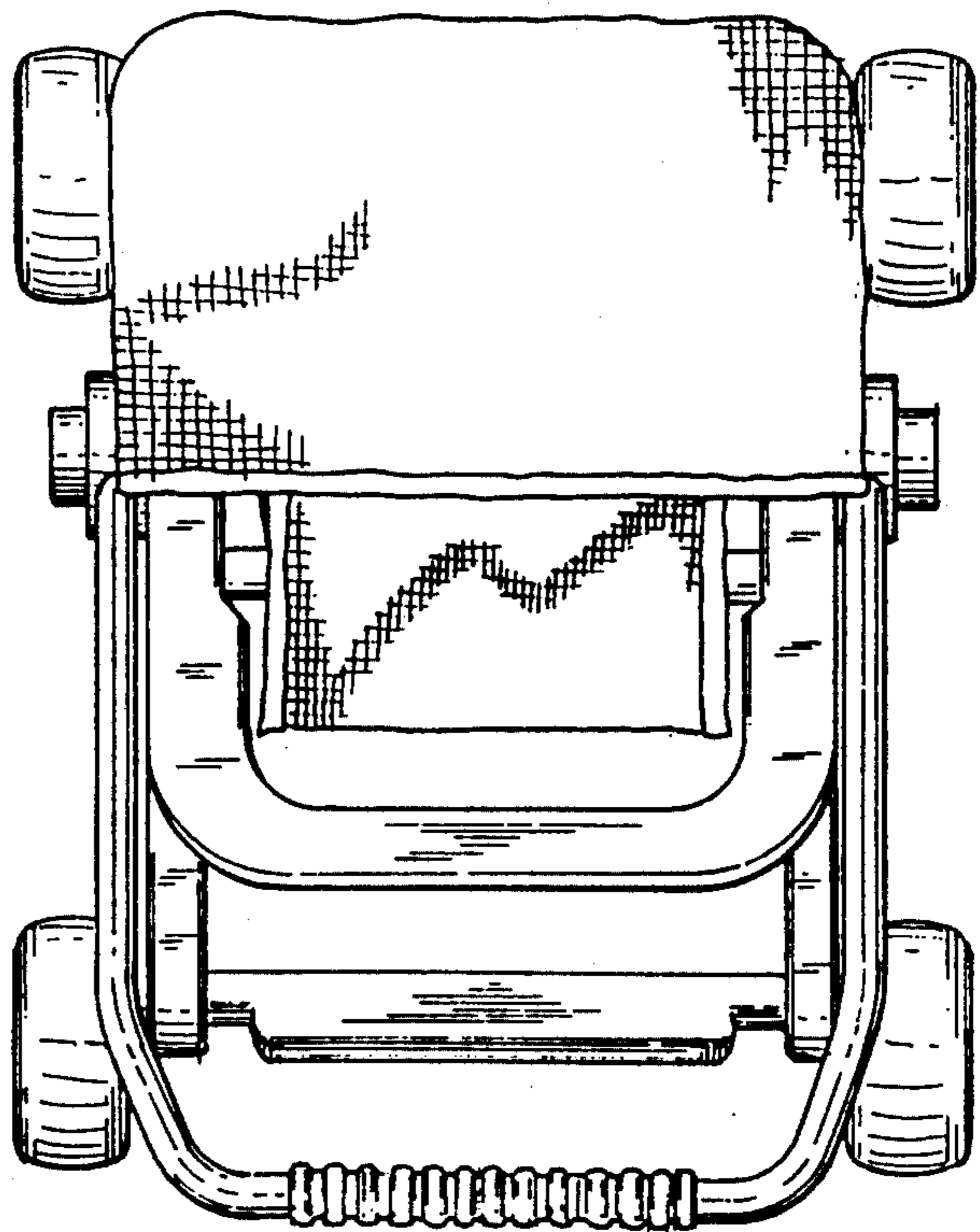


FIG. 5