



US00D336665S

# United States Patent [19]

[11] Patent Number: **Des. 336,665**

**Tugendhaft**

[45] Date of Patent: **\*\* Jun. 22, 1993**

[54] **COMBINED TOY PLANE AND VIDEO GAME**

D. 262,719 1/1982 Dweck ..... D21/13  
D. 309,474 7/1990 Murai ..... D19/75  
4,767,334 8/1988 Thorne et al. .... 446/7 X

[75] Inventor: **Majer Tugendhaft**, Amstelveen, Netherlands

*Primary Examiner*—Bernard Ansher  
*Assistant Examiner*—Dominic Simone  
*Attorney, Agent, or Firm*—Knobbe, Martens, Olson & Bear

[73] Assignee: **Sparco International B.V.**, Netherlands

[\*\*] Term: **14 Years**

### [57] CLAIM

[21] Appl. No.: **665,455**

The ornamental design for a combined toy plane and video game, as shown and described.

[22] Filed: **Mar. 6, 1991**

### DESCRIPTION

[30] **Foreign Application Priority Data**

Sep. 6, 1990 [XB] Benelux ..... 65848-00

[52] U.S. Cl. .... **D21/87; D21/13**

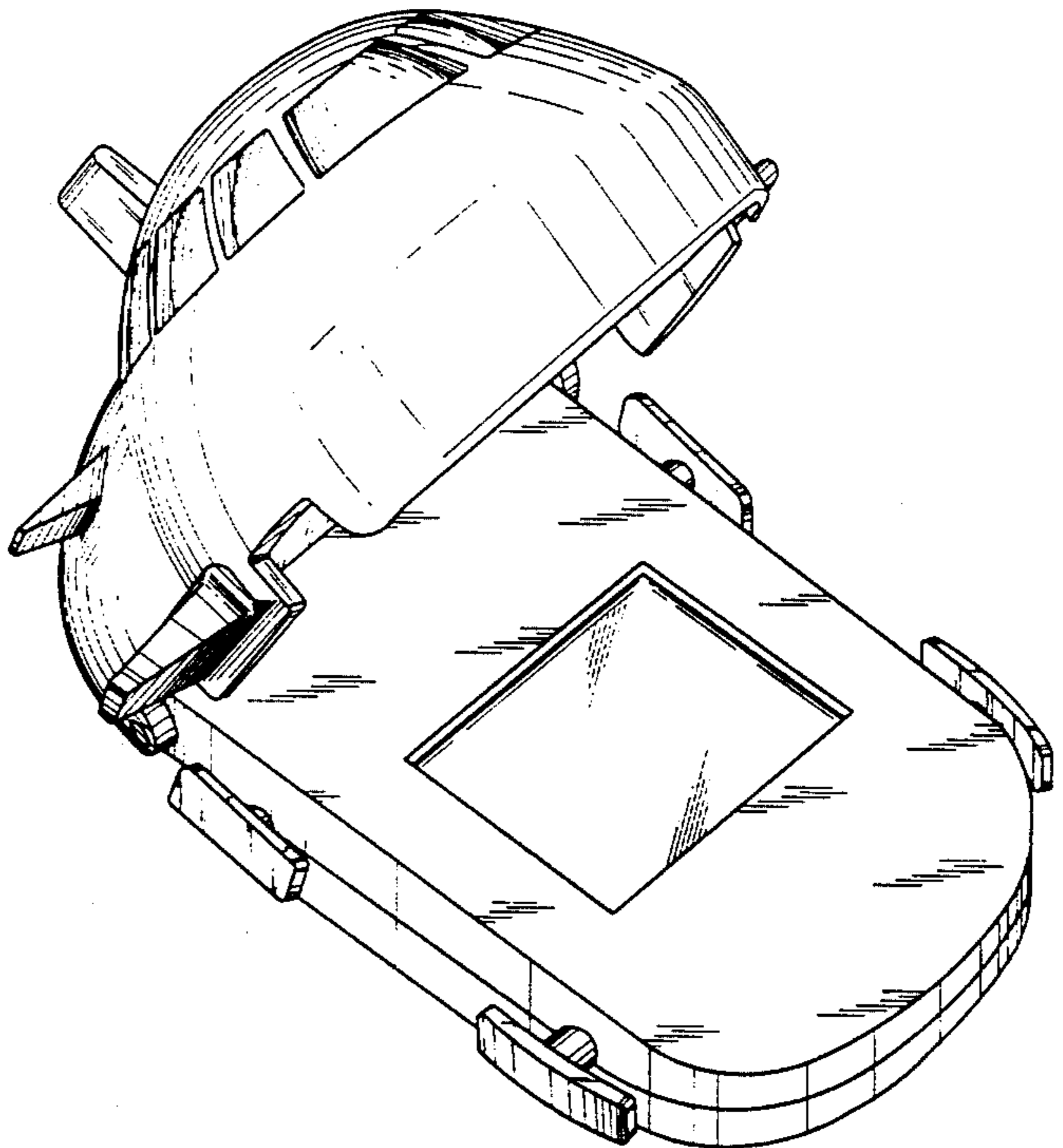
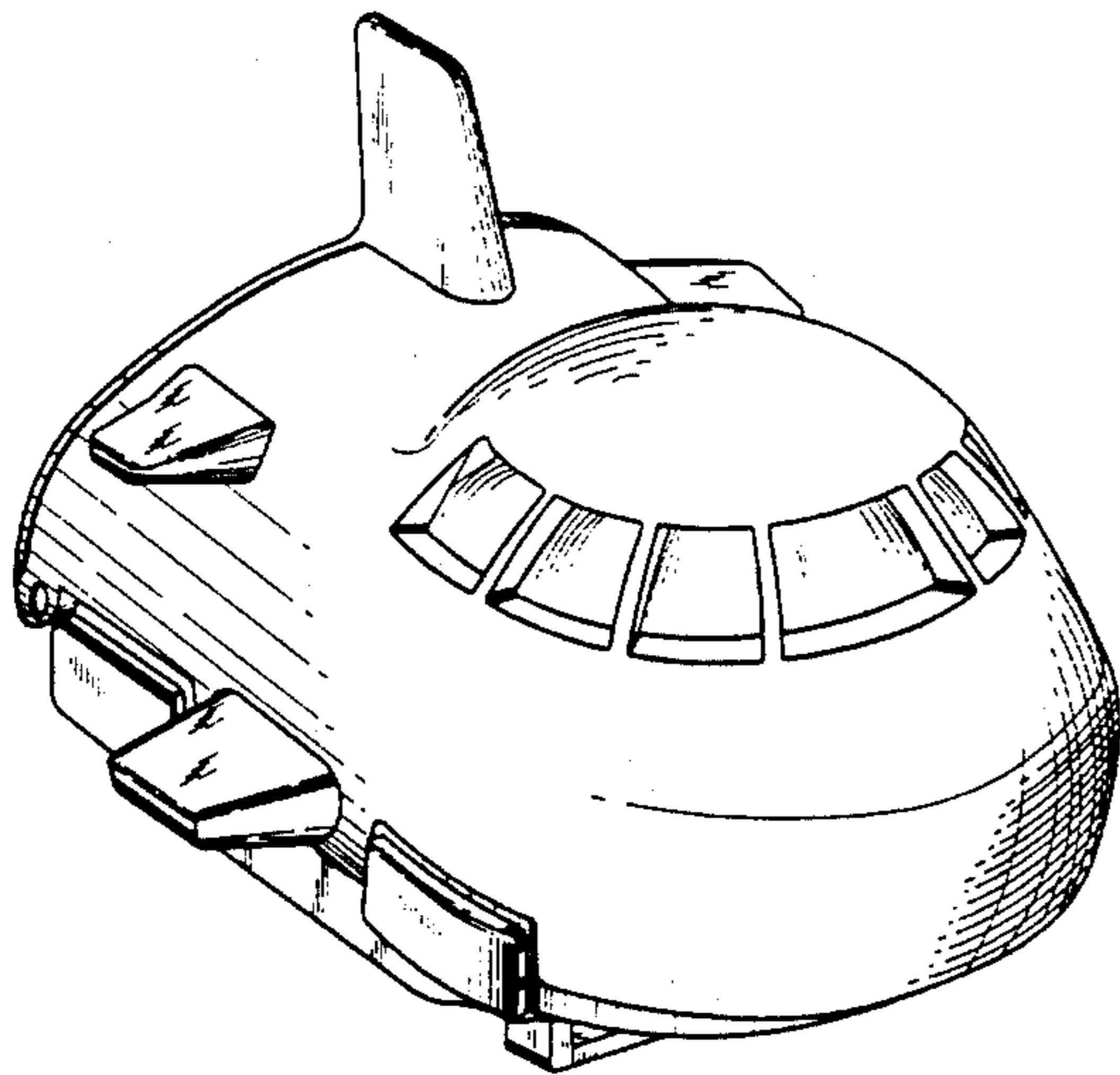
[58] Field of Search ..... D21/13, 82, 87; D19/65, D19/69, 75; D14/143, 176, 189; 446/7; 273/85  
G

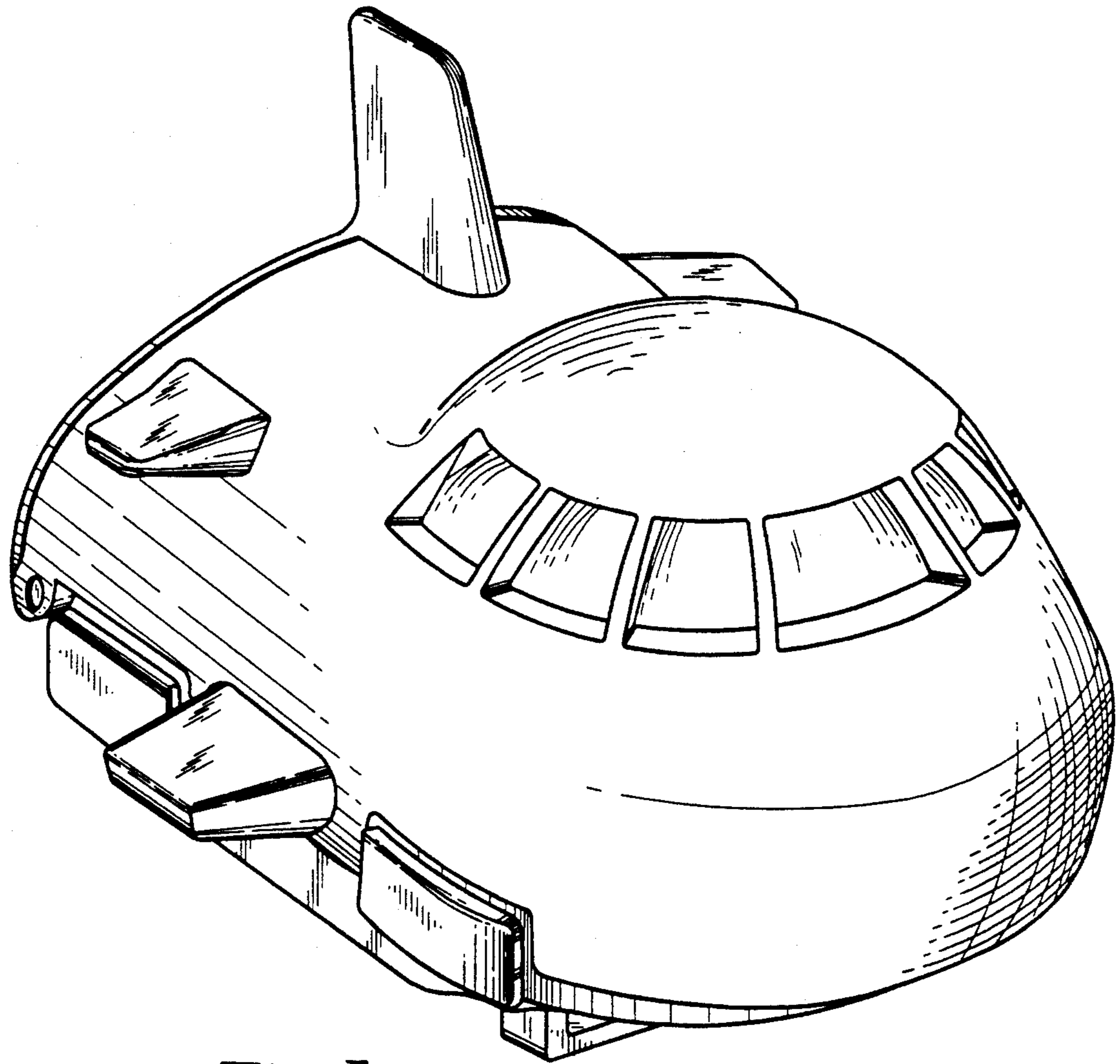
FIG. 1 is a perspective view of a combined toy plane and video game showing my new design;  
FIG. 2 is a front elevational view thereof;  
FIG. 3 is a left side elevational view thereof which is a mirror image of the right side;  
FIG. 4 is a rear view thereof;  
FIG. 5 is a top plan view thereof;  
FIG. 6 is a bottom plan view thereof;  
FIG. 7 is a perspective view thereof with the top of the toy plane raised;  
FIG. 8 is a front view of the toy plane of FIG. 7; and,  
FIG. 9 is a side view of the toy plane of FIG. 7.

### [56] References Cited

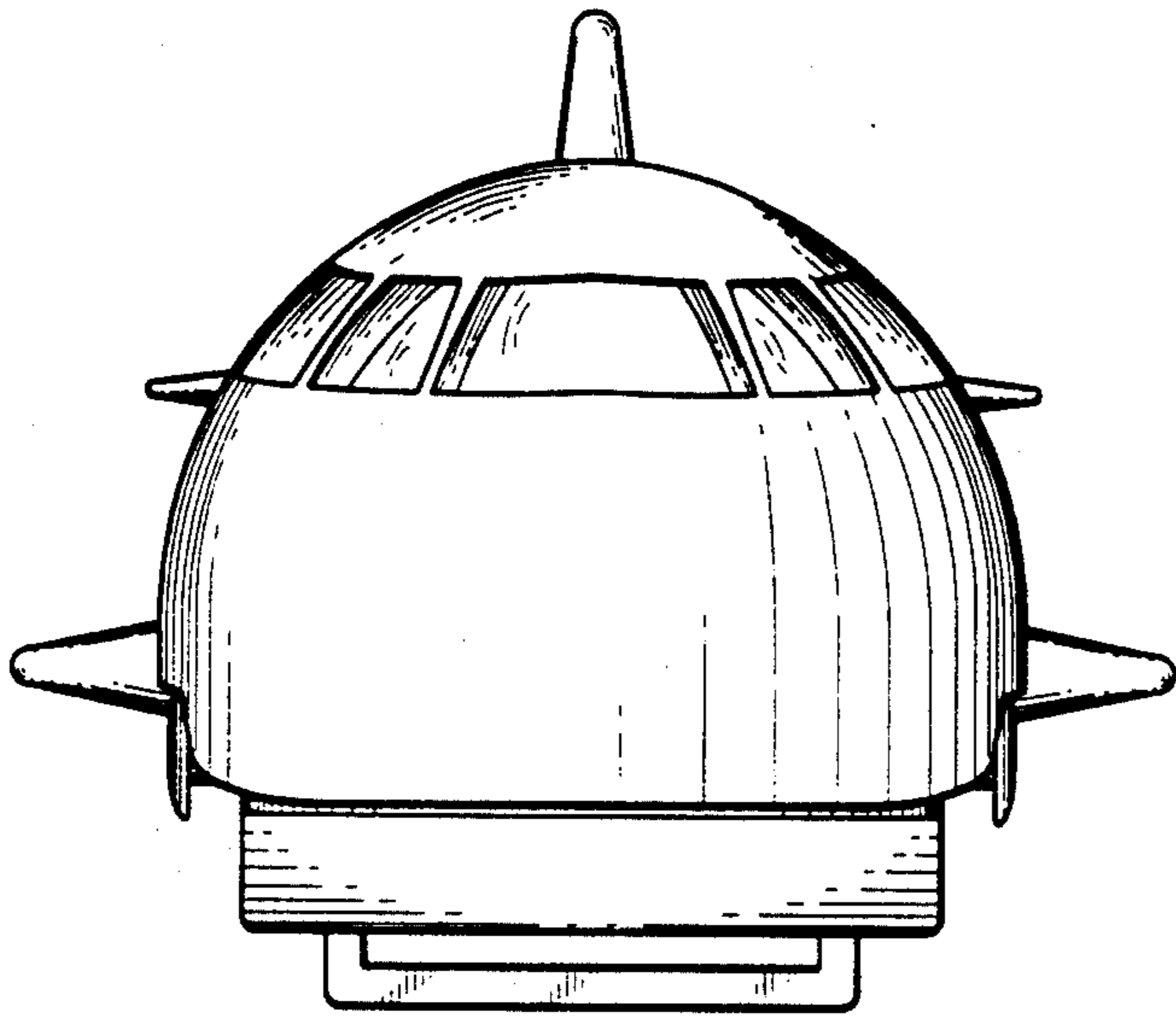
#### U.S. PATENT DOCUMENTS

D. 189,484 12/1960 Ramniceanu ..... D21/87 X  
D. 195,680 7/1963 Braun et al. .... D21/83

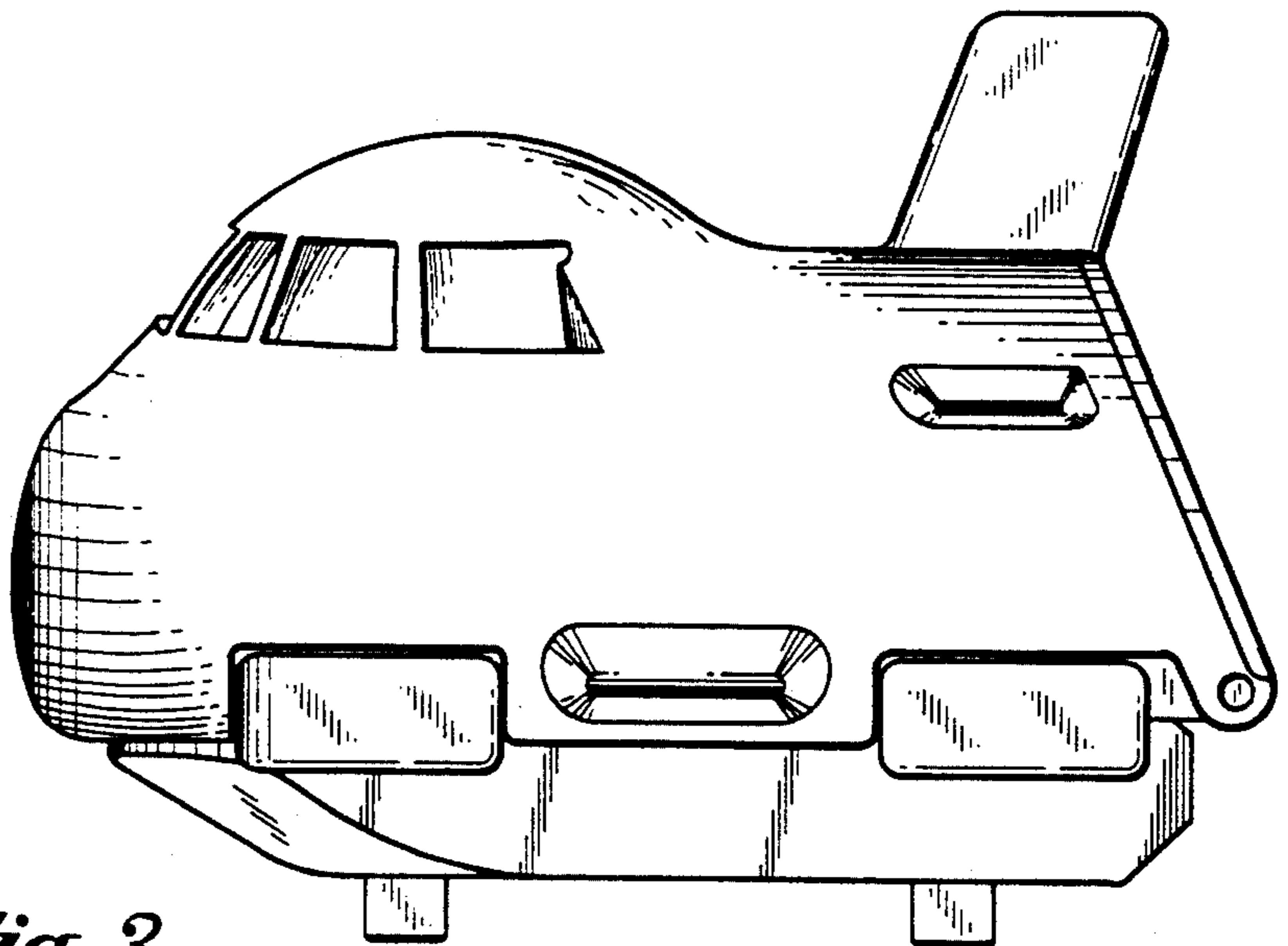




*Fig. 1*

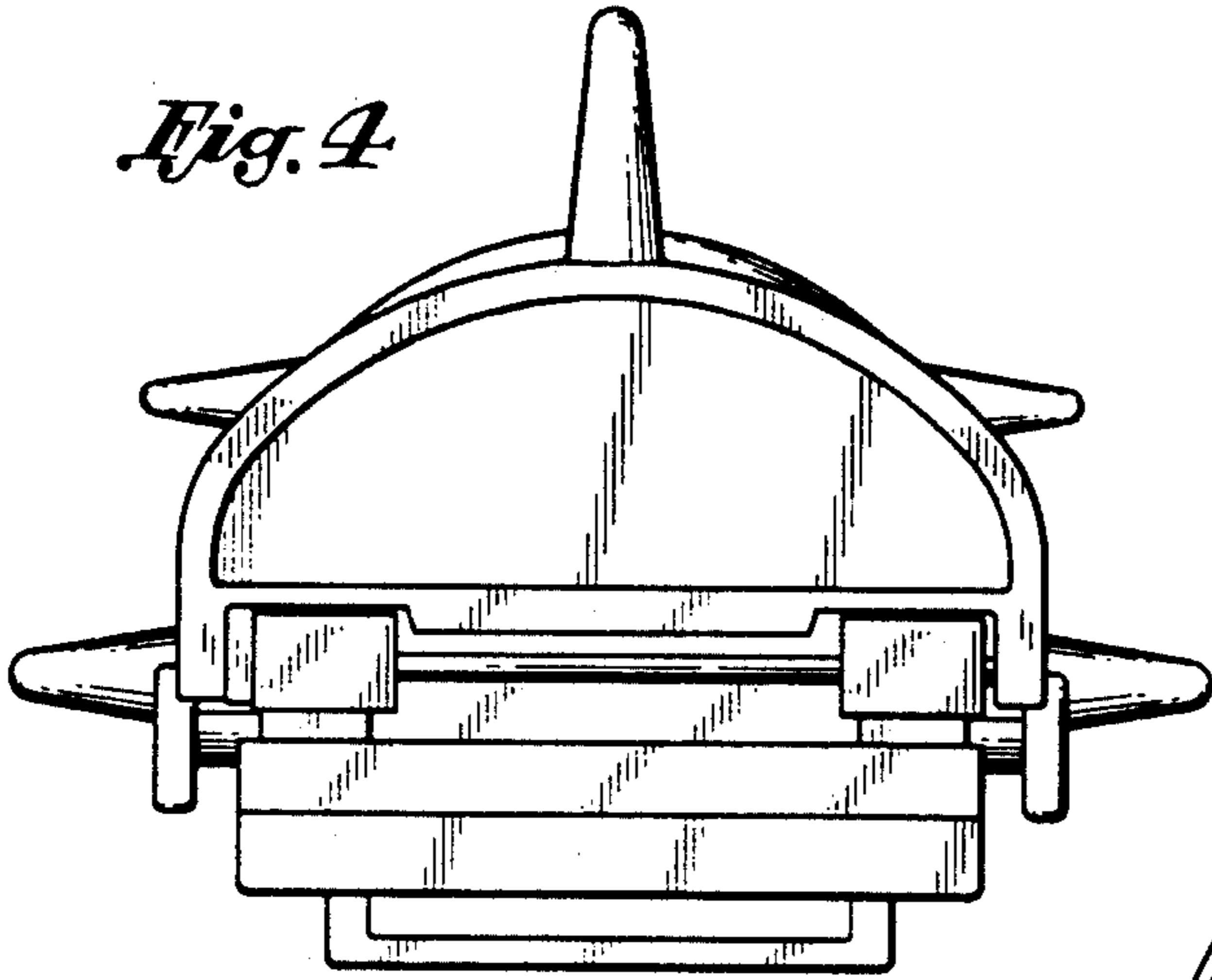


*Fig. 2*

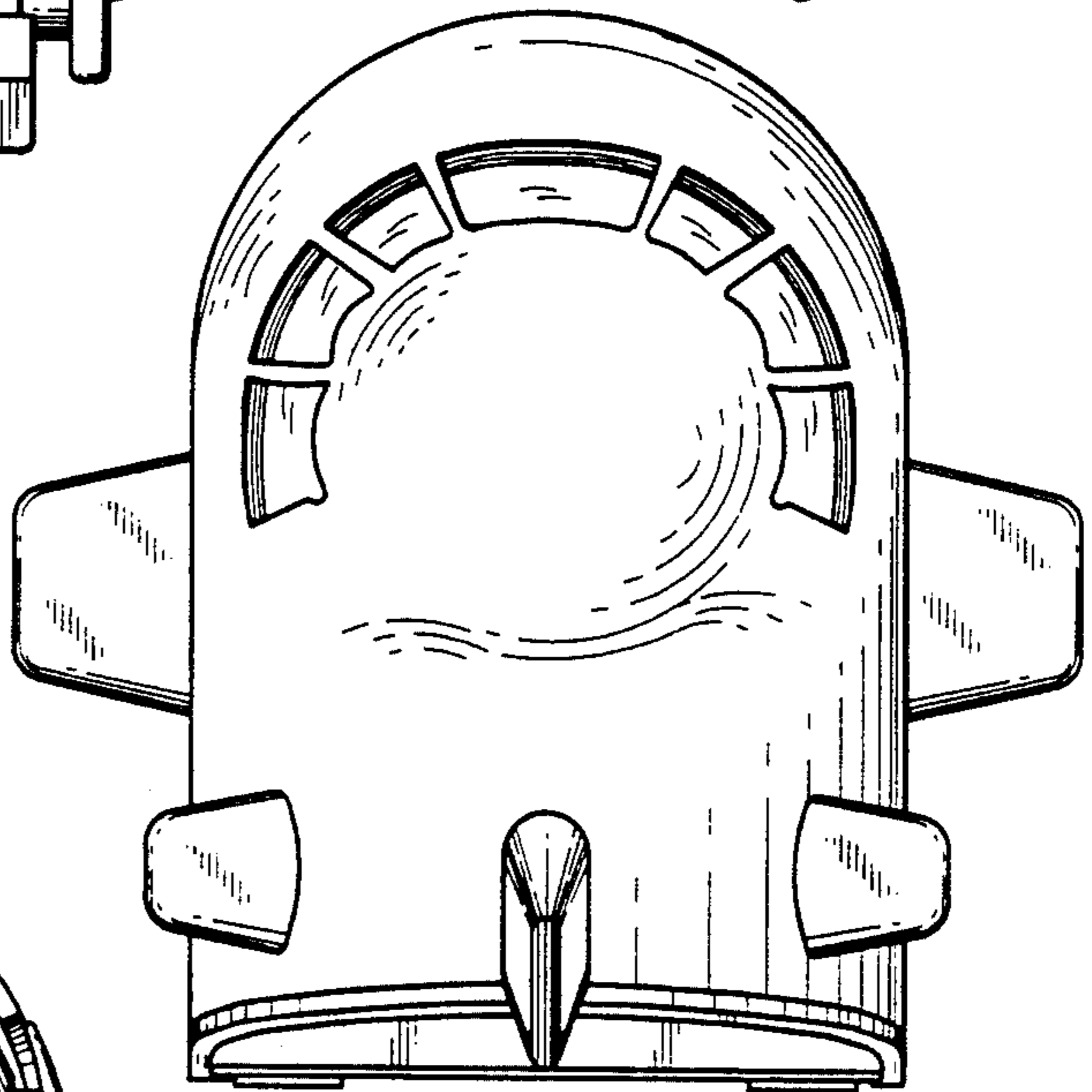


*Fig. 3*

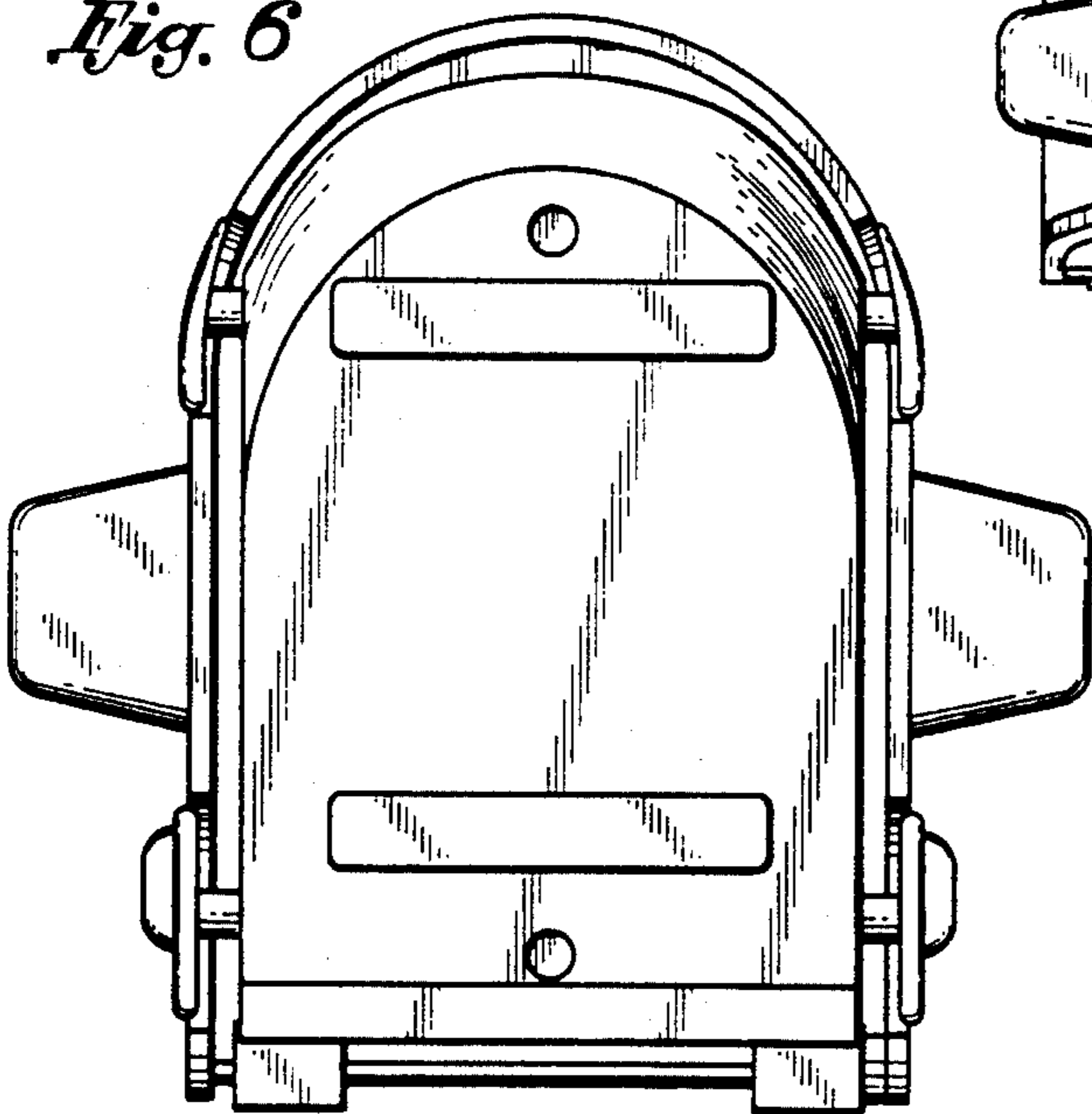
*Fig. 4*

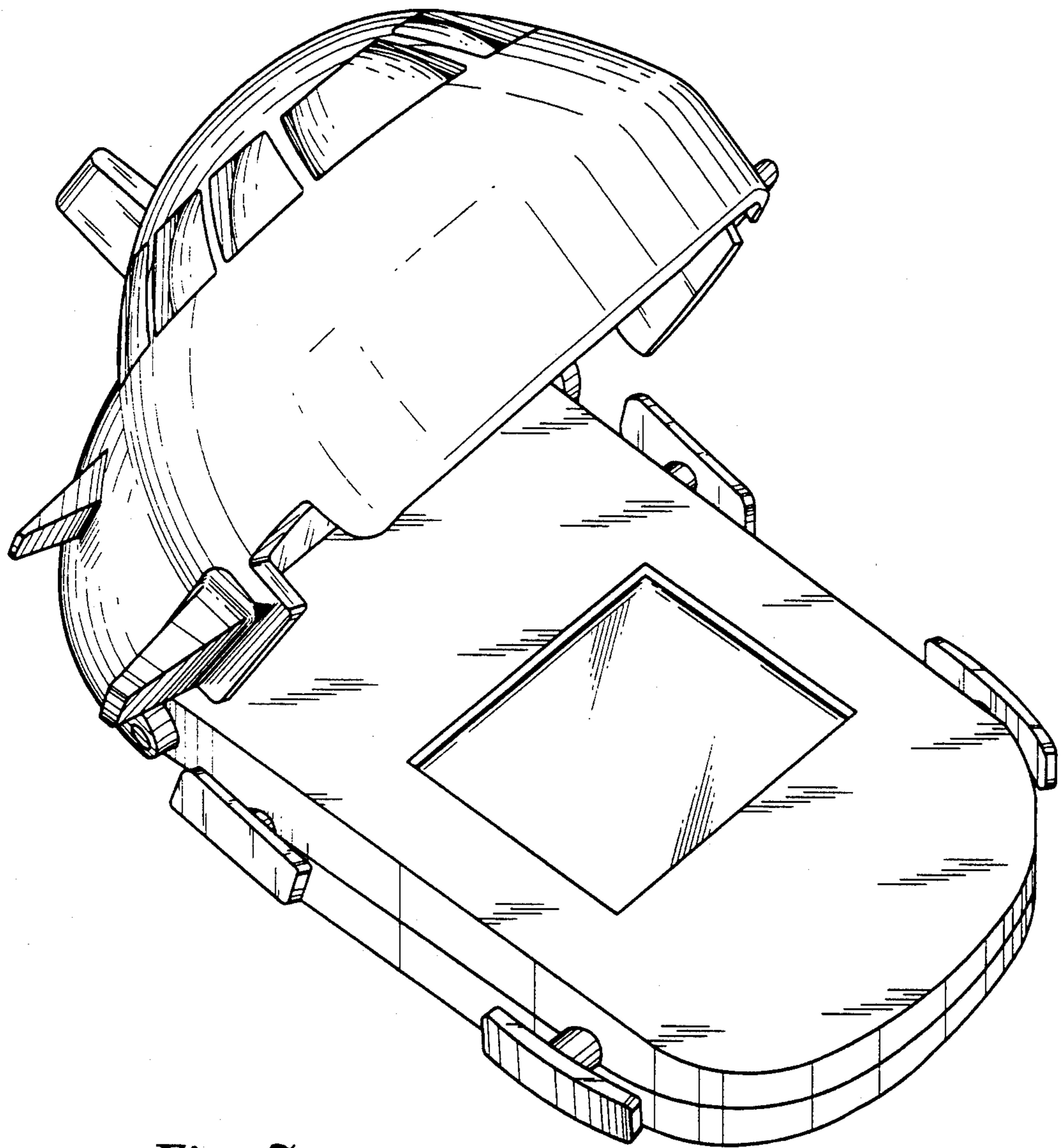


*Fig. 5*



*Fig. 6*





*Fig. 2*

