



US00D336664S

United States Patent [19]
Uchida

[11] **Patent Number: Des. 336,664**
[45] **Date of Patent: ** Jun. 22, 1993**

- [54] **TOY PLANE**
- [75] **Inventor: Yoshie Uchida, Tokyo, Japan**
- [73] **Assignee: Tomy Company, Ltd., Tokyo, Japan**
- [**] **Term: 14 Years**
- [21] **Appl. No.: 806,457**
- [22] **Filed: Dec. 13, 1991**
- [30] **Foreign Application Priority Data**
 - Jun. 14, 1991 [JP] Japan 3-17874
- [52] **U.S. Cl. D21/87; D21/82; D21/90**
- [58] **Field of Search D21/82, 87, 90; 446/230, 231, 232, 431, 465, 491**
- [56] **References Cited**
 - U.S. PATENT DOCUMENTS**
 - D. 161,474 1/1951 Latina D21/87

- D. 265,574 7/1982 Nagode D21/90
- D. 267,102 11/1982 Steinberg D21/87
- D. 320,421 10/1991 Harris D21/90
- 4,889,514 12/1989 Auer et al. 446/230

Primary Examiner—Bernard Ansher
Assistant Examiner—Dominic Simone
Attorney, Agent, or Firm—Staas & Halsey

[57] **CLAIM**

The ornamental design for a toy plane, as shown and described.

DESCRIPTION

FIG. 1 is a front elevational view of a toy plane showing my new design;
FIG. 2 is a rear elevational view thereof;
FIG. 3 is a left side elevational view thereof;
FIG. 4 is a right side elevational view thereof;
FIG. 5 is a top plan view thereof; and,
FIG. 6 is a bottom plan view.

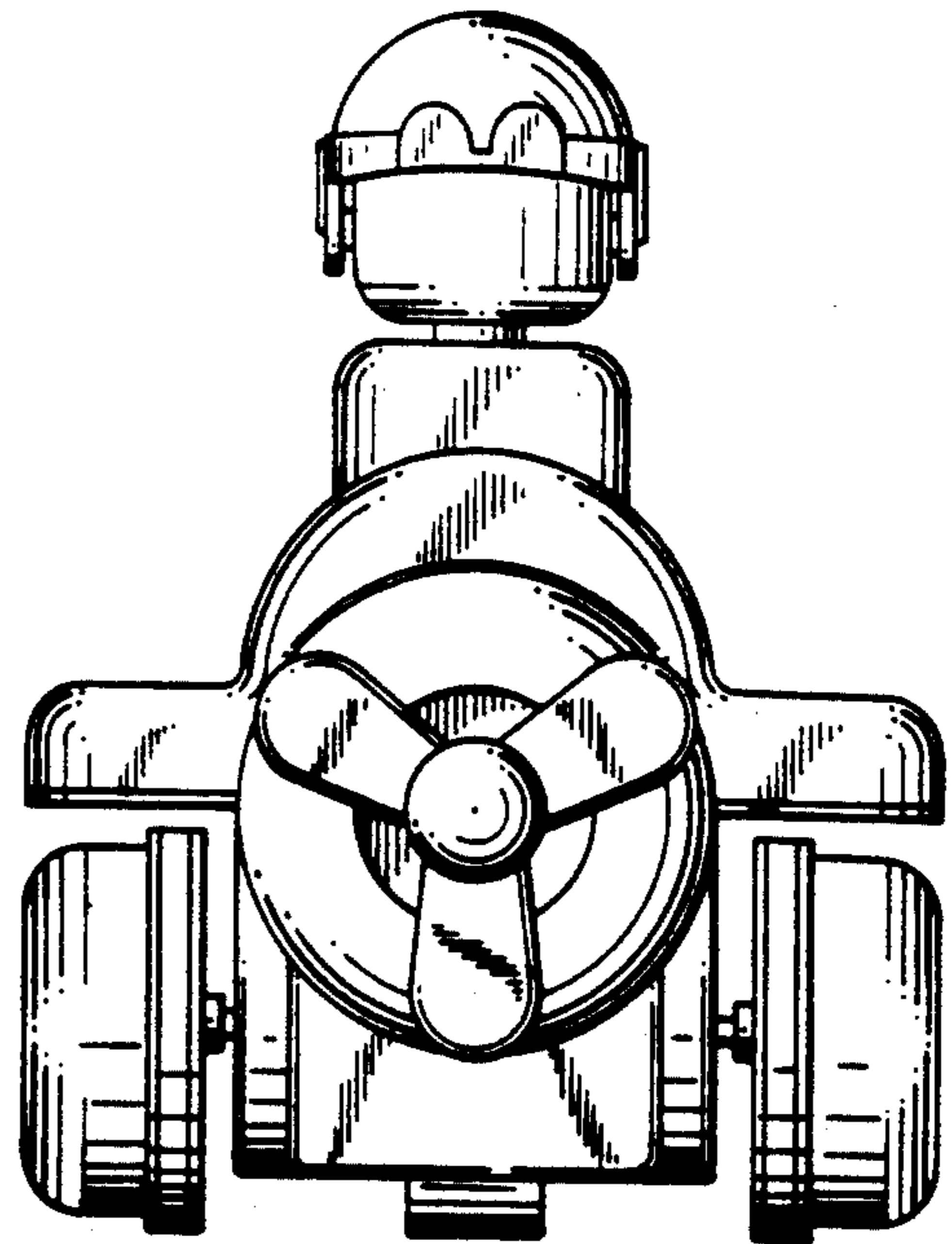
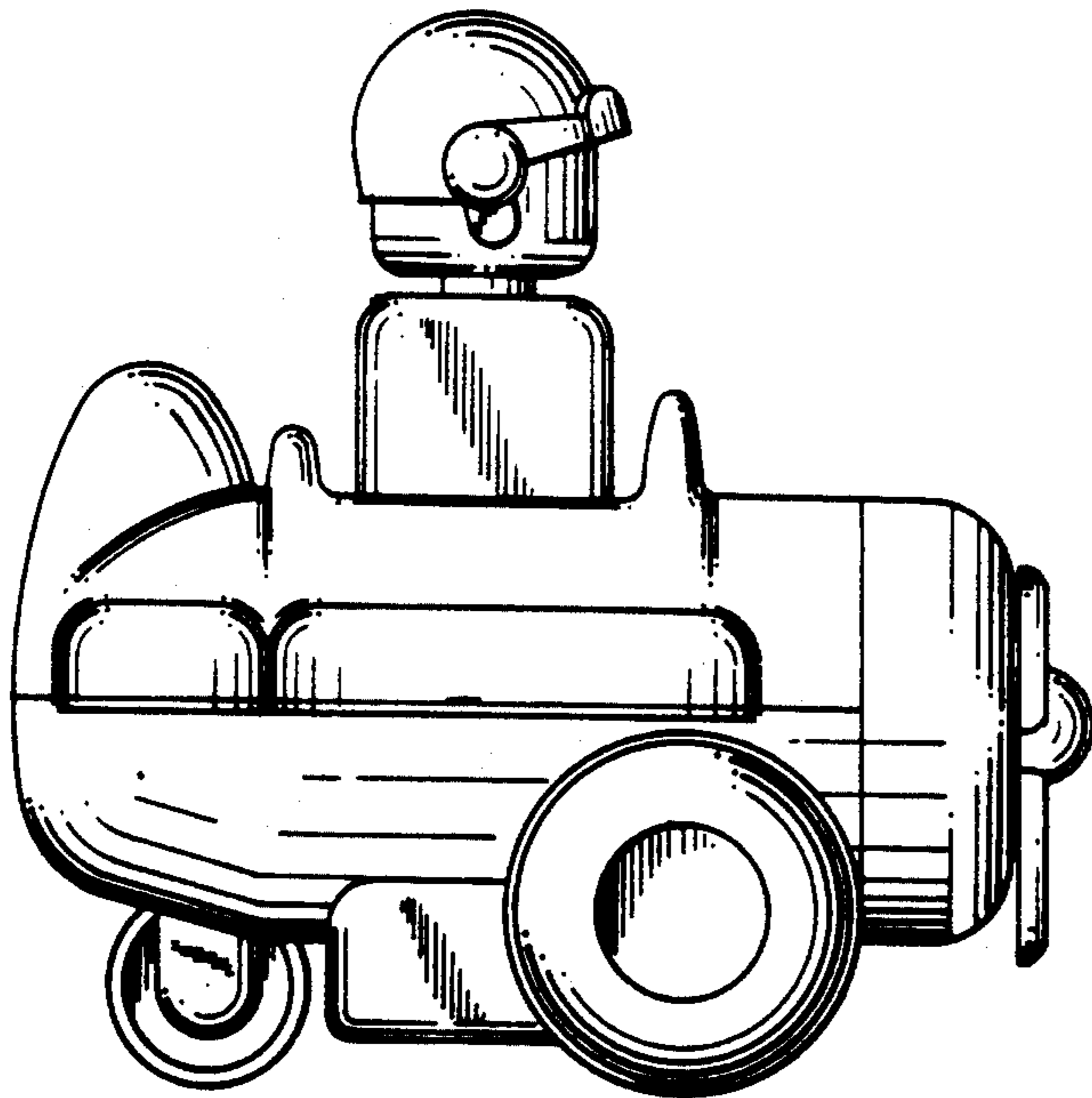


FIG. 1

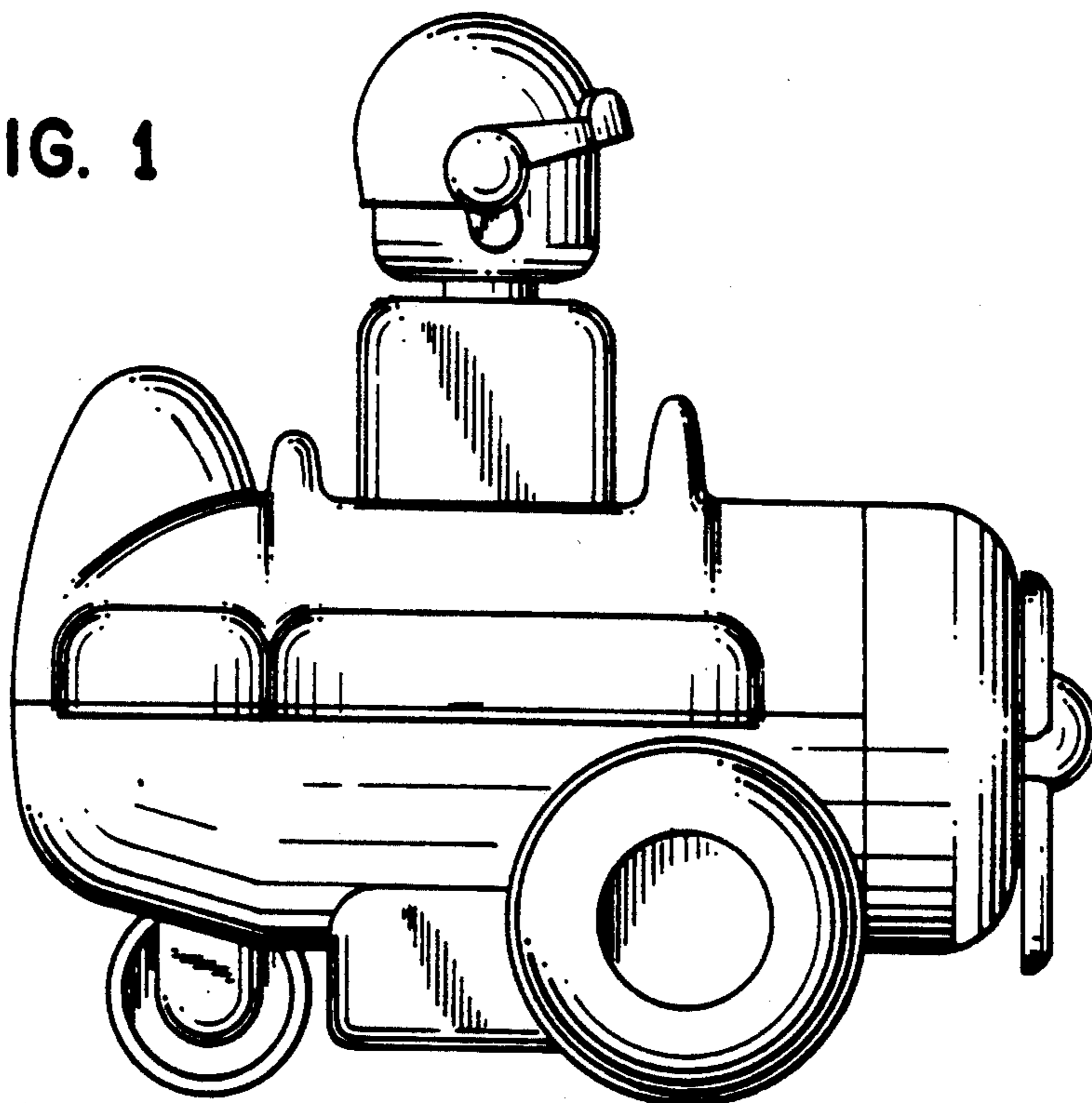


FIG. 2

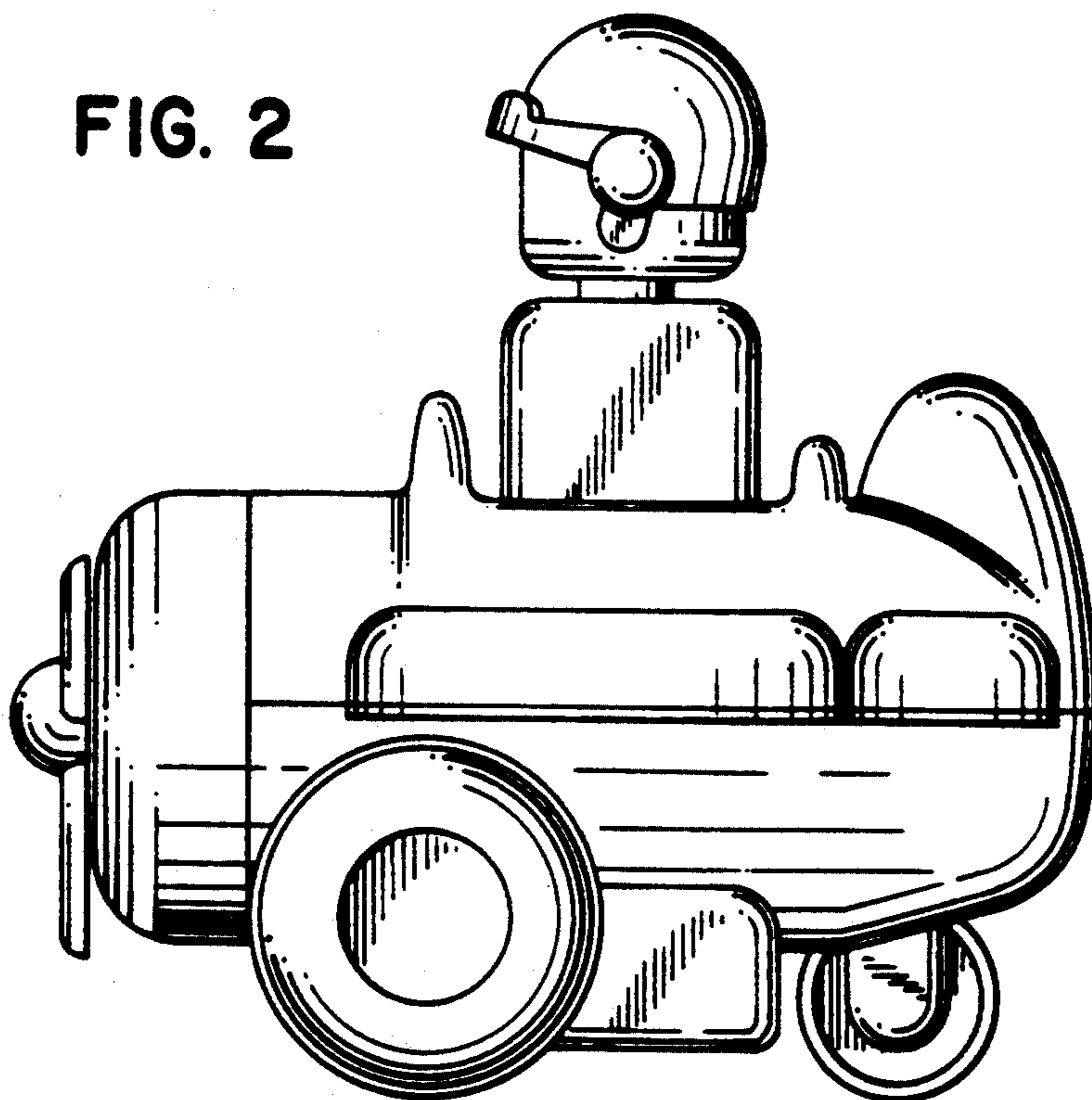


FIG. 3

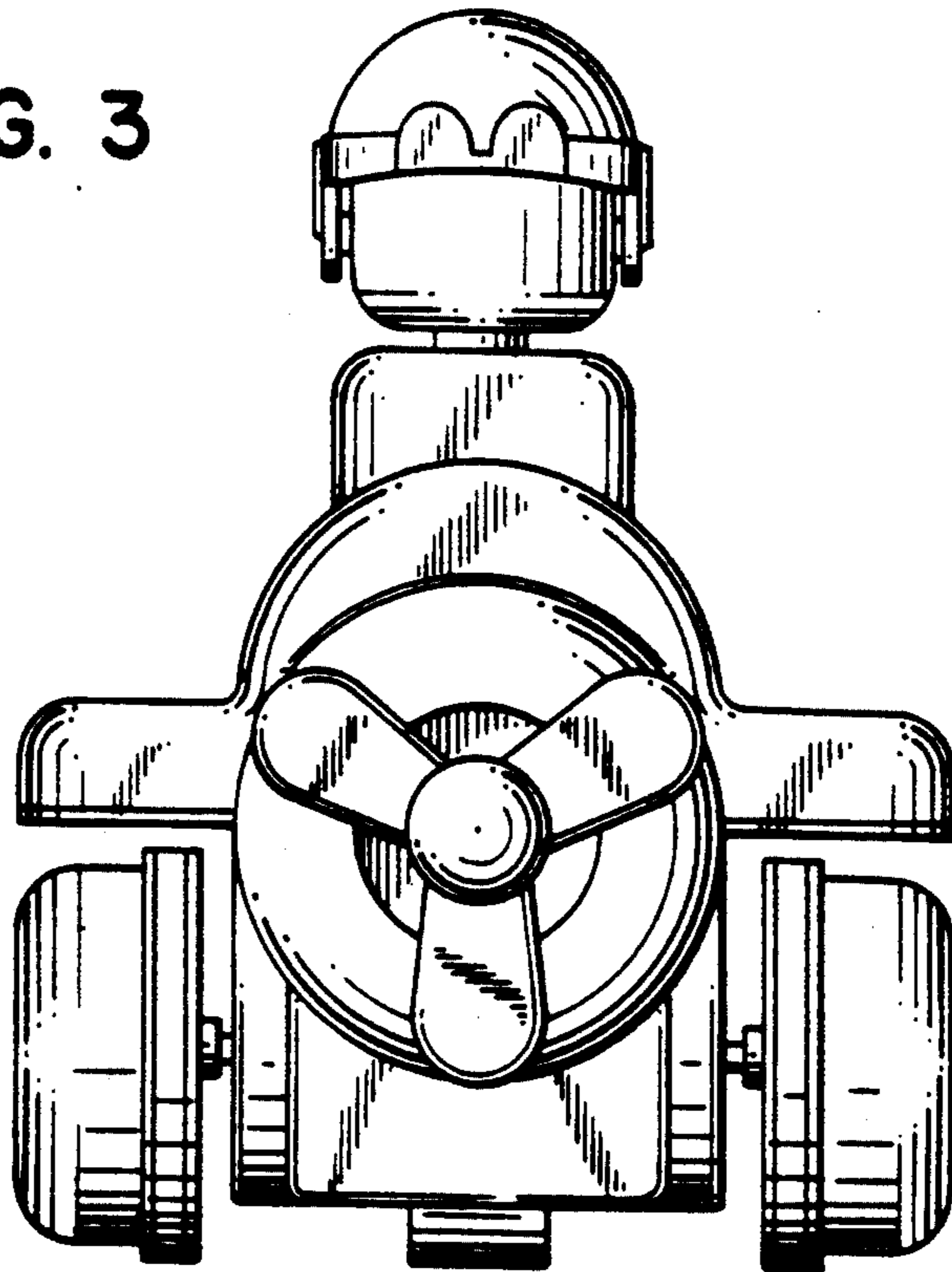


FIG. 4

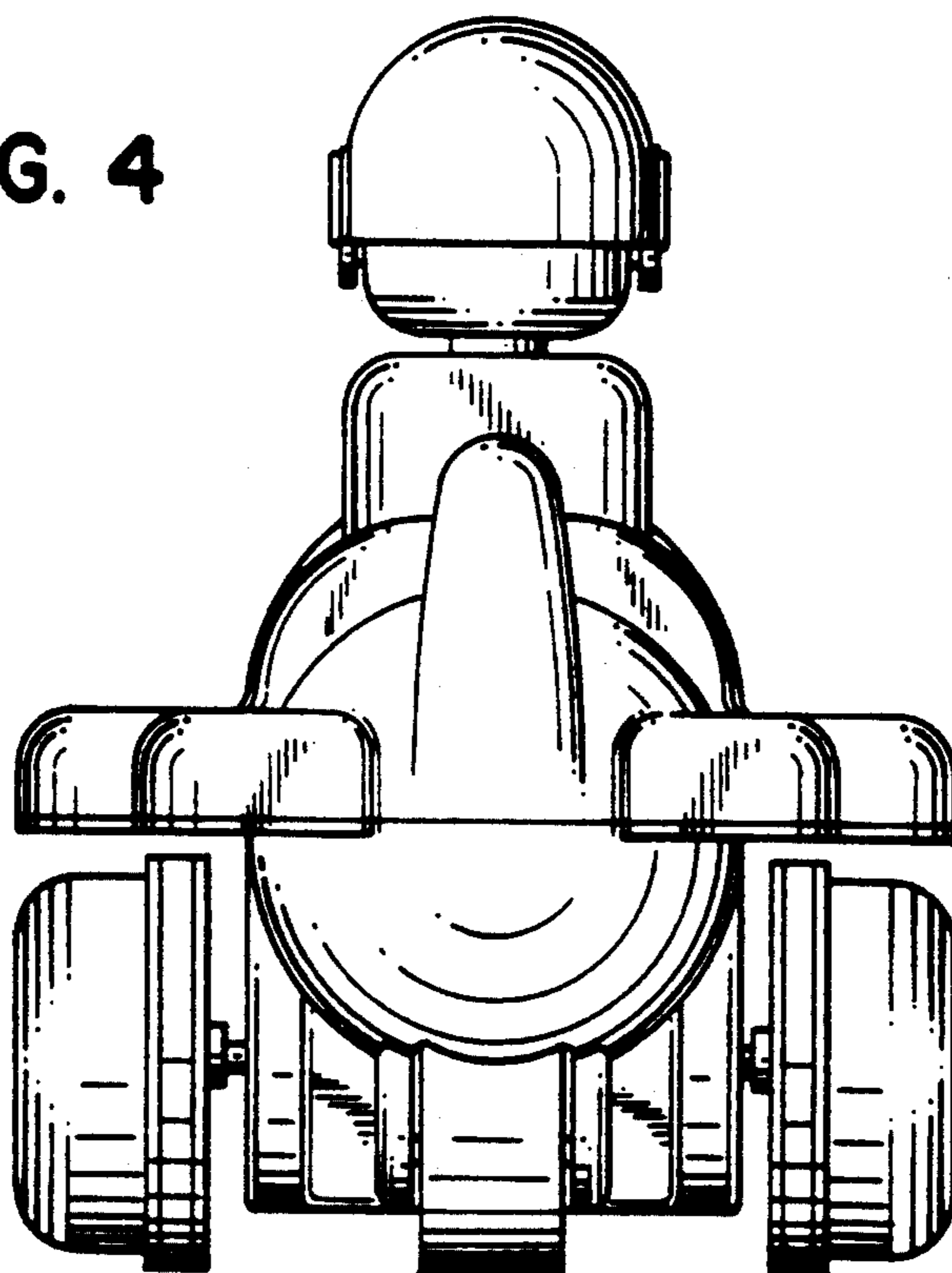


FIG. 5

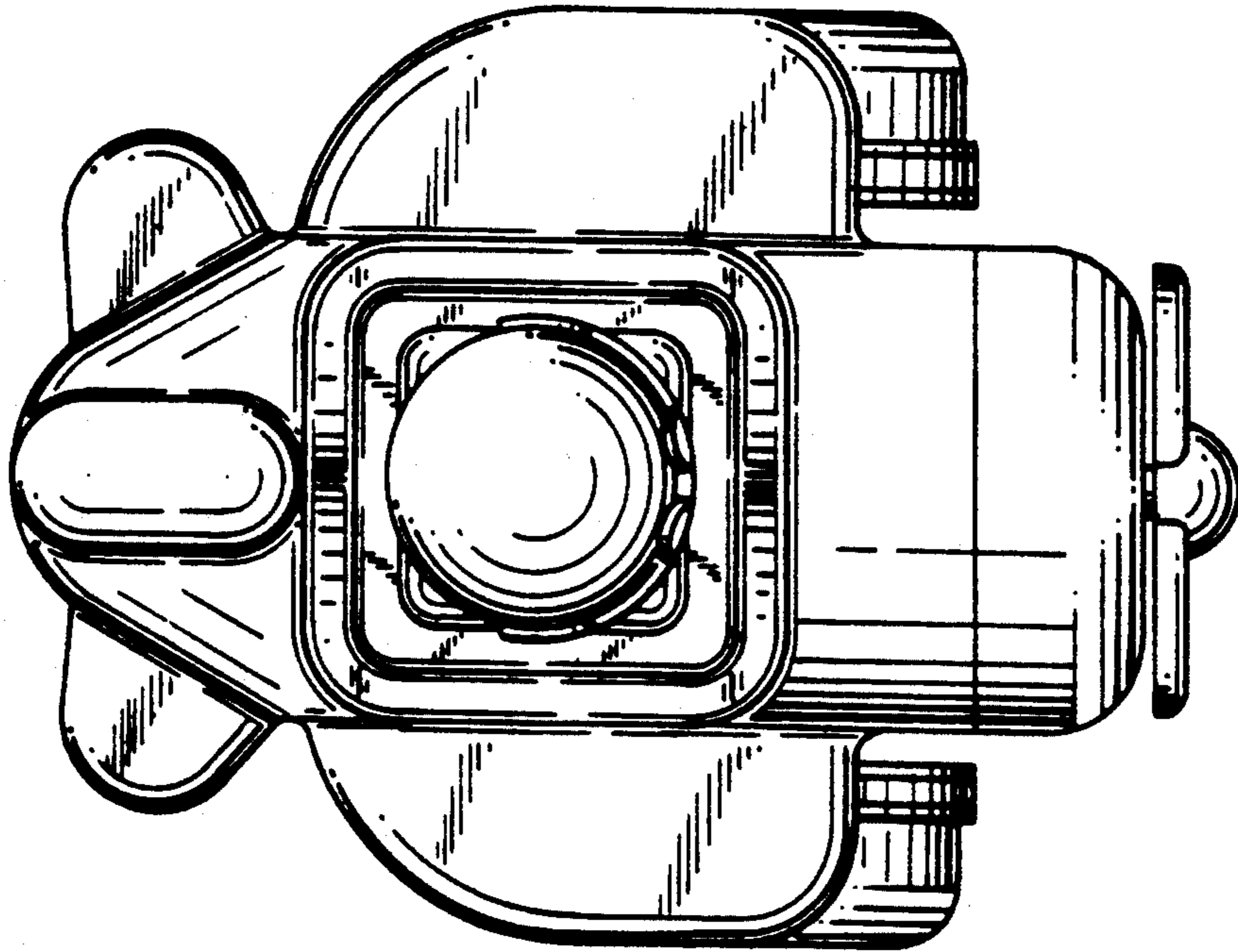


FIG. 6

