



US00D336656S

United States Patent [19] Peersmann

[11] Patent Number: Des. 336,656
[45] Date of Patent: ** Jun. 22, 1993

[54] **COMBINED BUREAU ORGANIZER AND CALCULATOR**

1,863,937 6/1932 Shields 206/566

[75] Inventor: **Richard Peersmann**, Scheveningen, Netherlands

[73] Assignee: **Pollyflame International B.V.**, Roelofarendsveen, Netherlands

[**] Term: **14 Years**

[21] Appl. No.: **816,067**

[22] Filed: **Jan. 2, 1992**

[52] U.S. Cl. **D18/7; D18/2; D3/75**

[58] Field of Search **D18/1, 2, 6, 7, 11, D18/12; D14/100, 106, 107; 200/5 A; 235/61 K; 340/365, 700; 364/706-710; D3/75; D6/440; 206/566**

[56] **References Cited**

U.S. PATENT DOCUMENTS

- D. 203,887 2/1966 Braun D3/75
- D. 285,094 8/1986 Li D18/2
- D. 331,254 11/1992 Hiromori D18/7

OTHER PUBLICATIONS

Pilliod brochure, p. 2, box 325-L, upper right of p.

Primary Examiner—Alan P. Douglas

Assistant Examiner—Ann Hunt

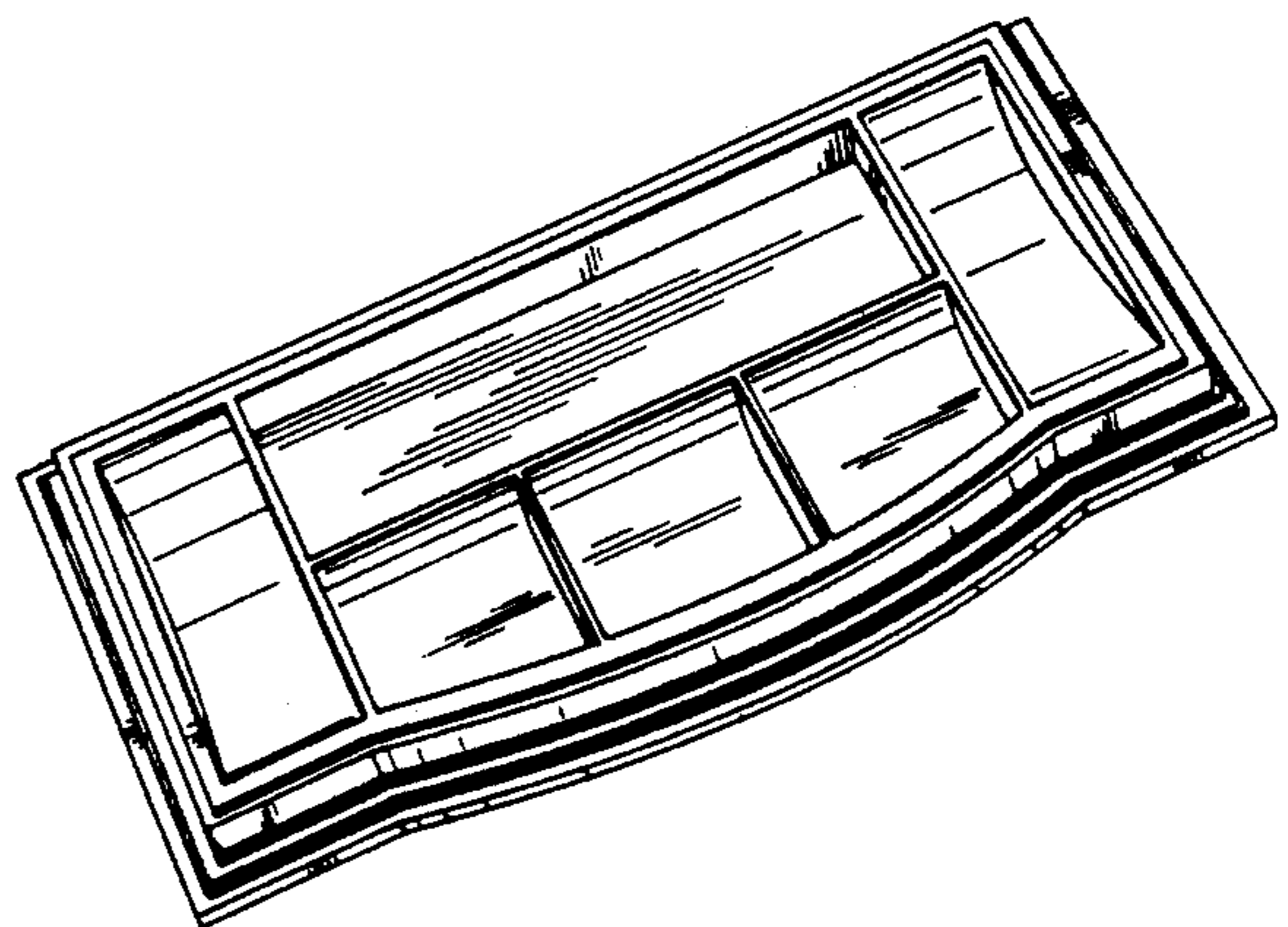
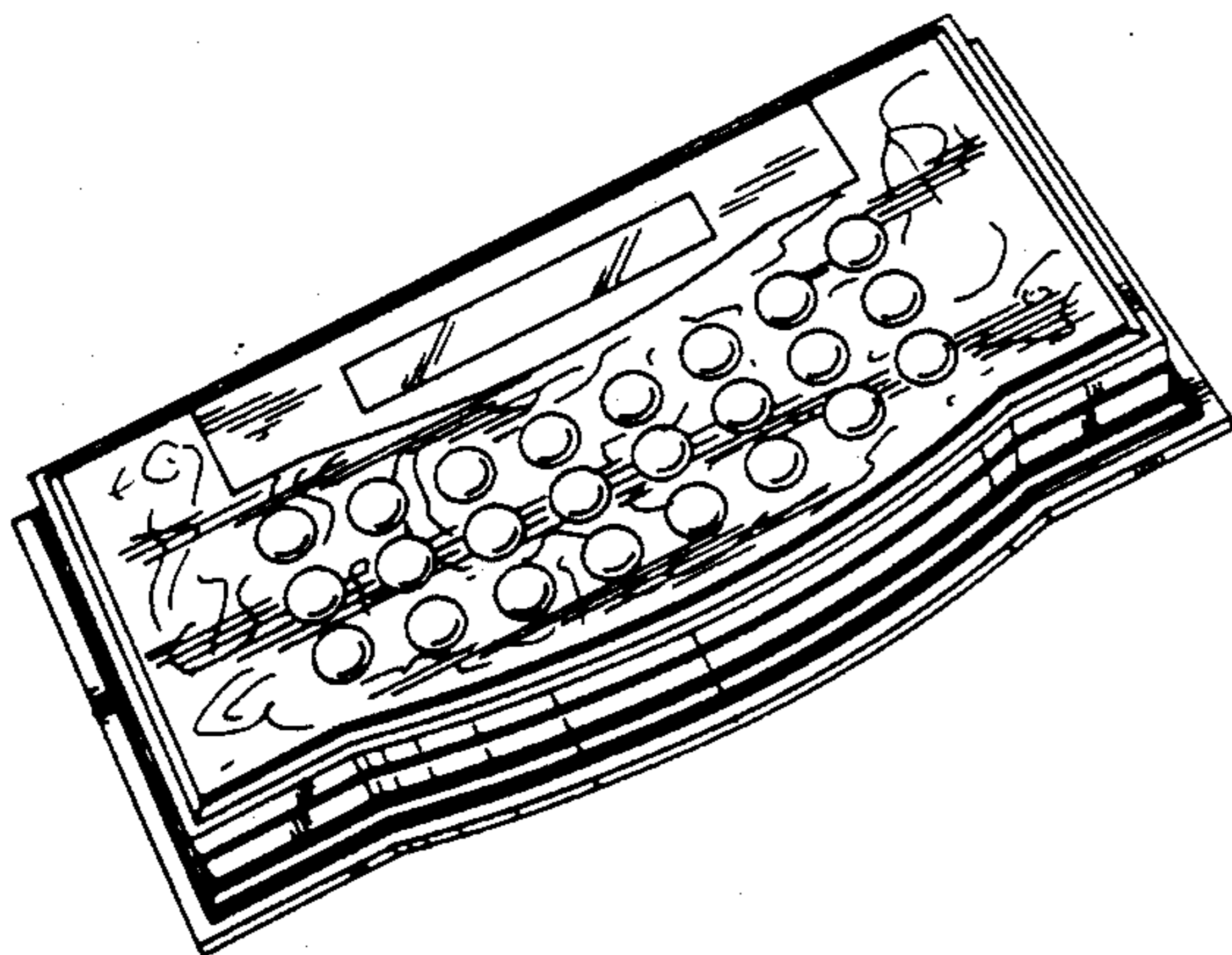
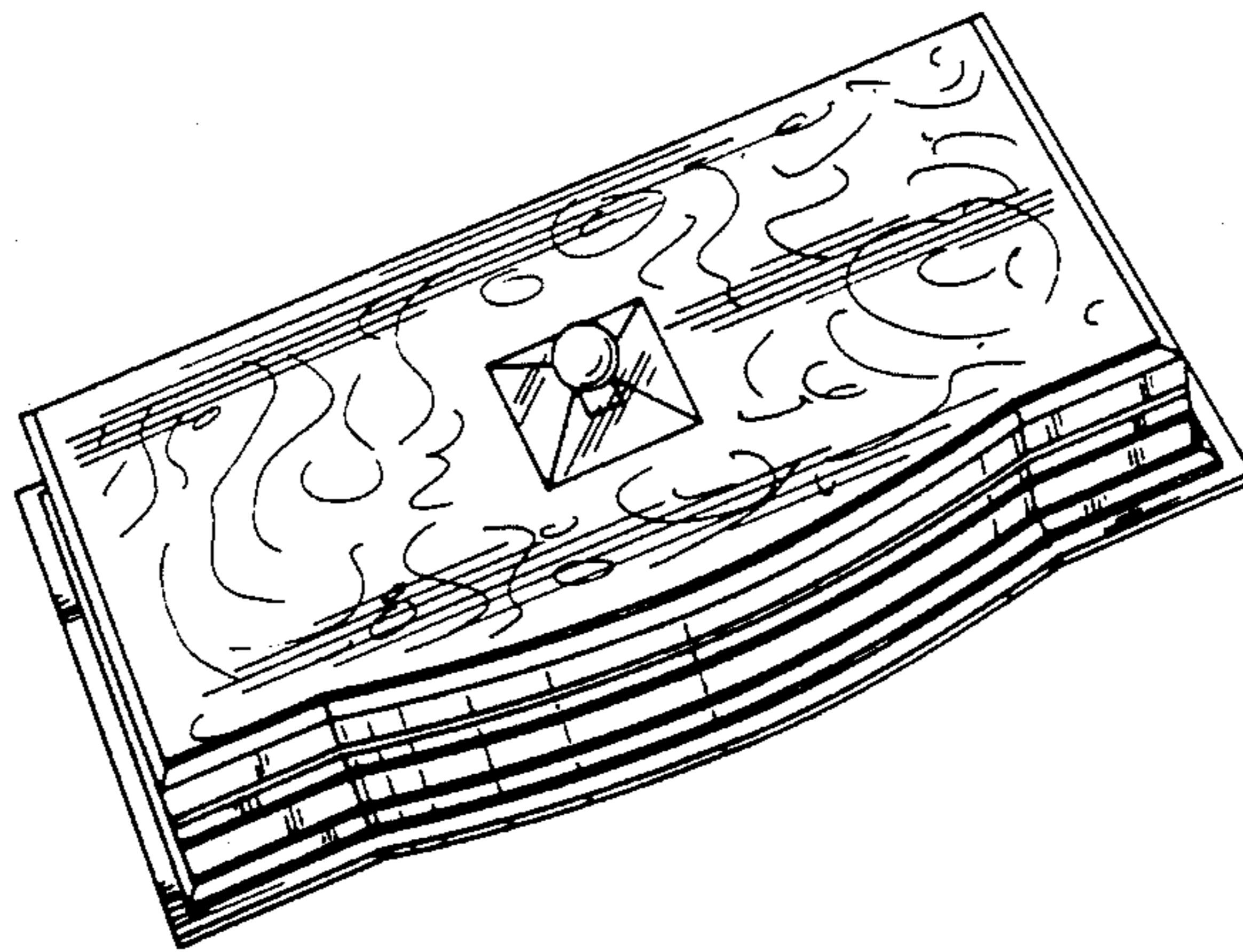
Attorney, Agent, or Firm—Foley & Lardner

[57] **CLAIM**

The ornamental design for a combined bureau organizer and calculator, as shown and described.

DESCRIPTION

FIG. 1 is a perspective view of a combined bureau organizer and calculator showing my new design; FIG. 2 is a front elevational view thereof; FIG. 3 is a rear elevational view thereof; FIG. 4 is a top plan view thereof; FIG. 5 is a bottom plan view thereof; FIG. 6 is a right side elevational view thereof; FIG. 7 is a left side elevational view thereof; FIG. 8 is a perspective view thereof with the cover removed; and, FIG. 9 is a perspective view thereof with the calculator removed.



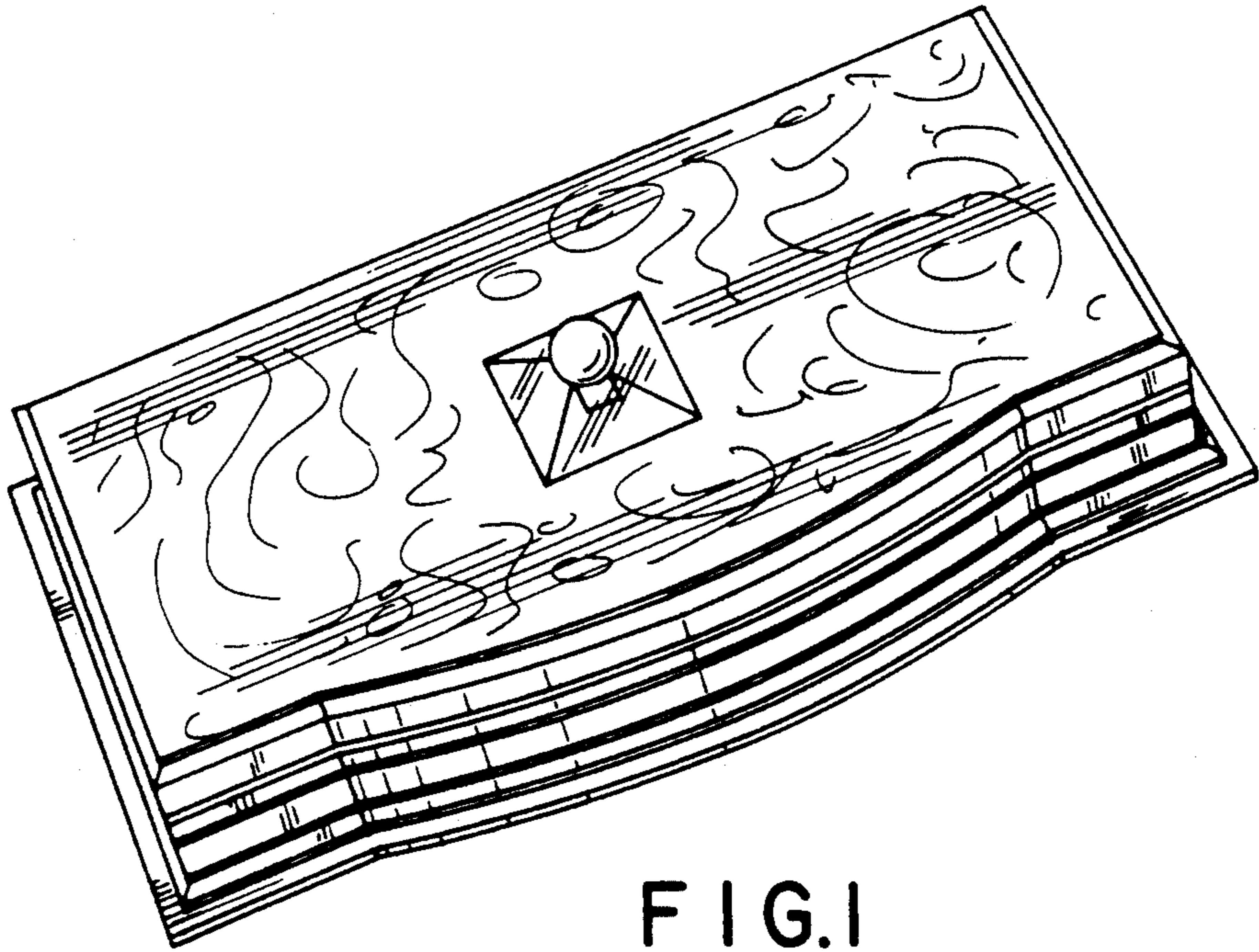


FIG. 1

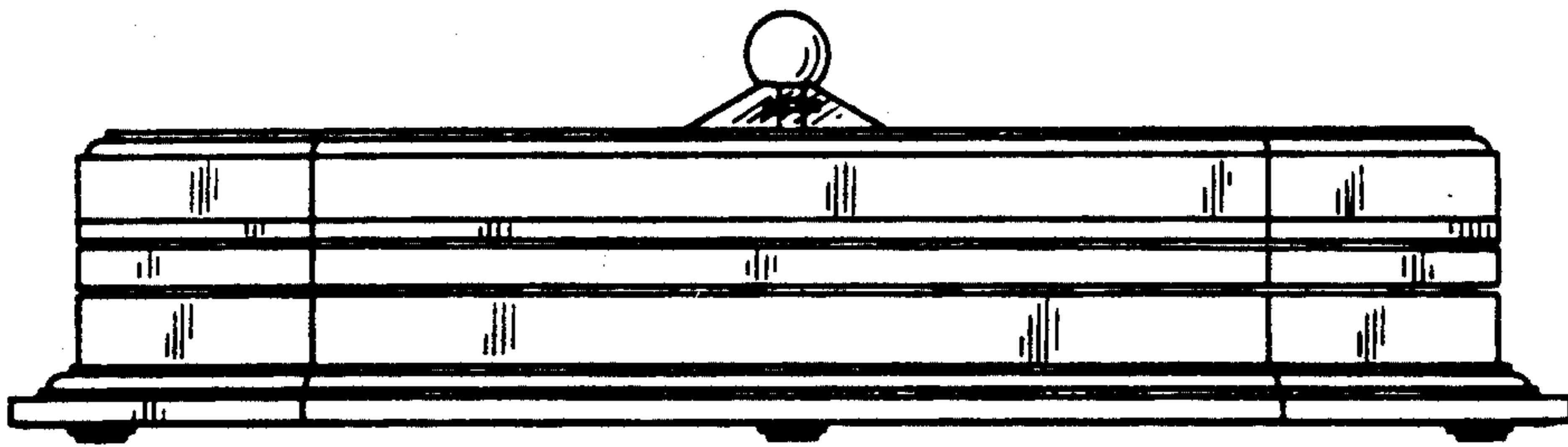


FIG. 2

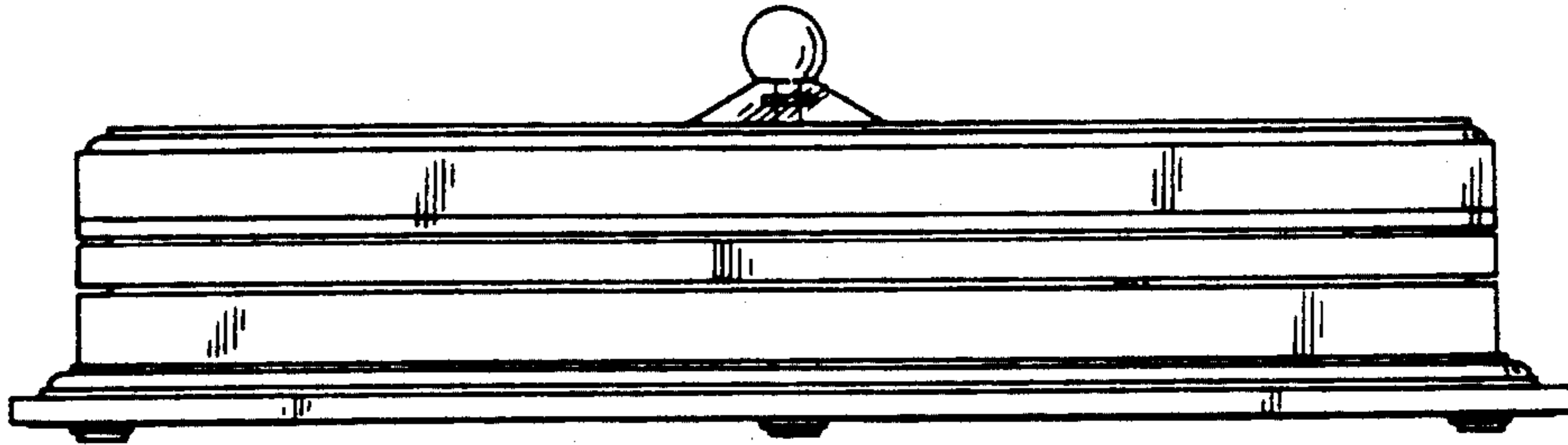


FIG. 3

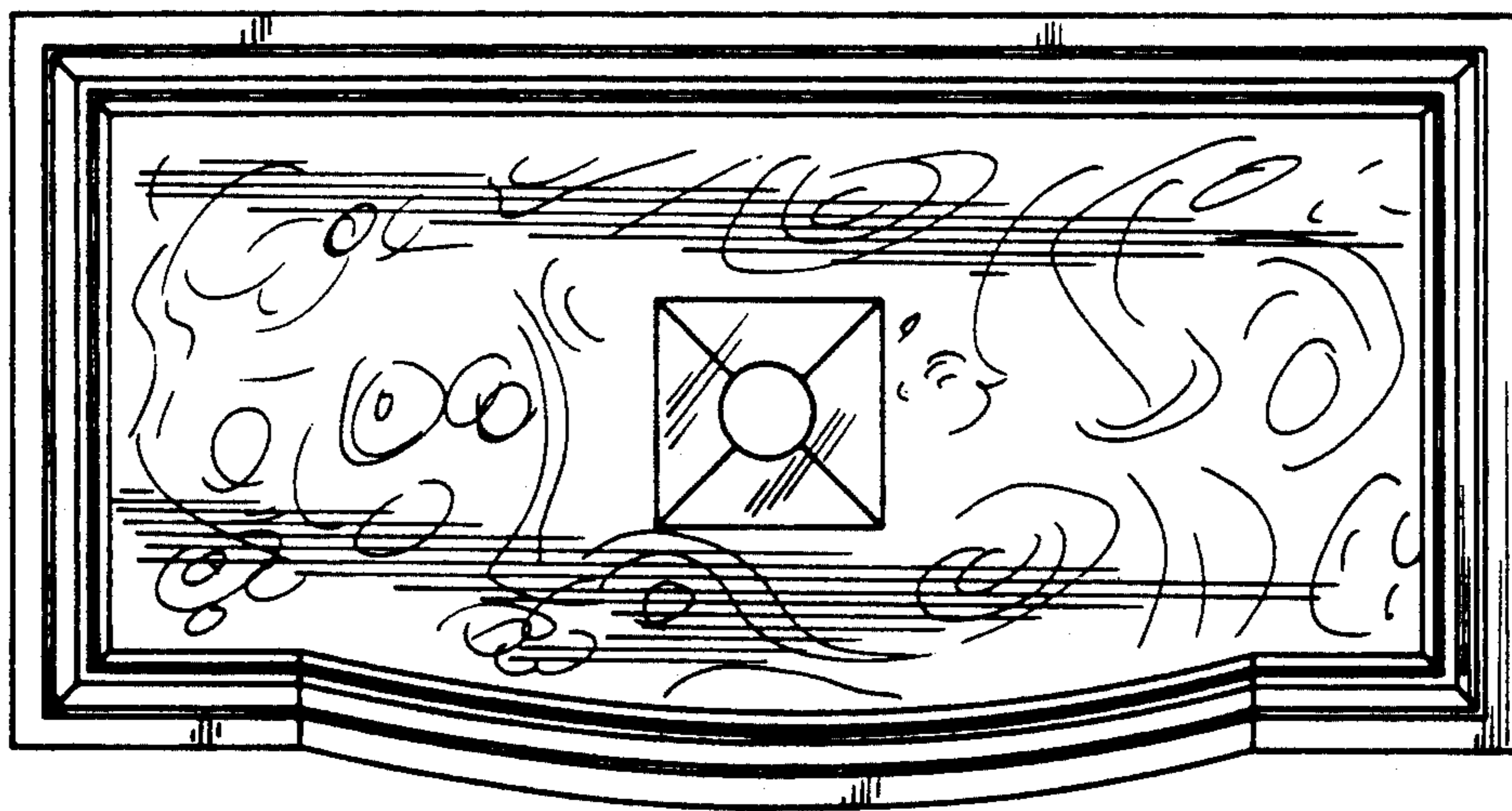


FIG. 4

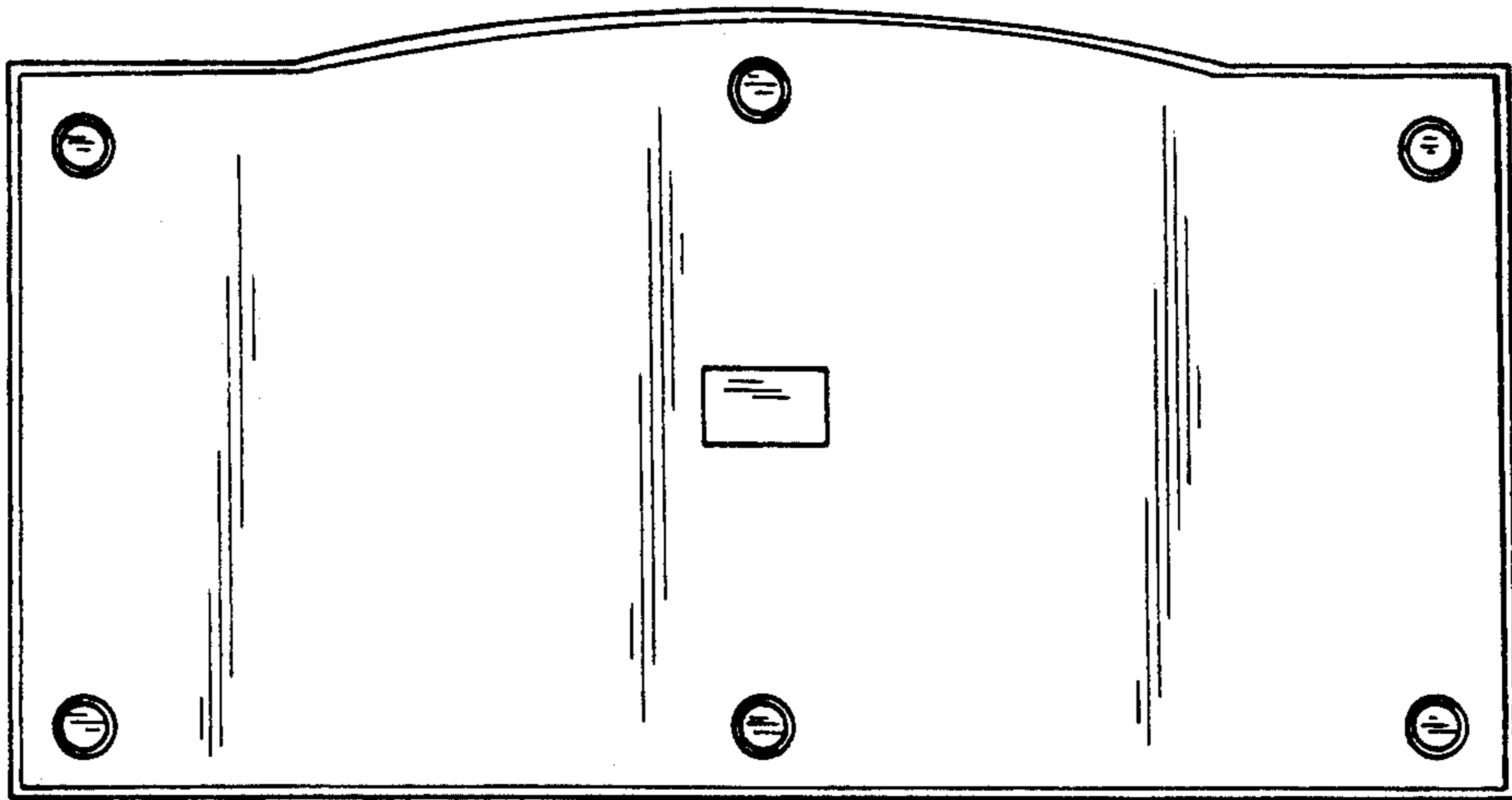


FIG. 5

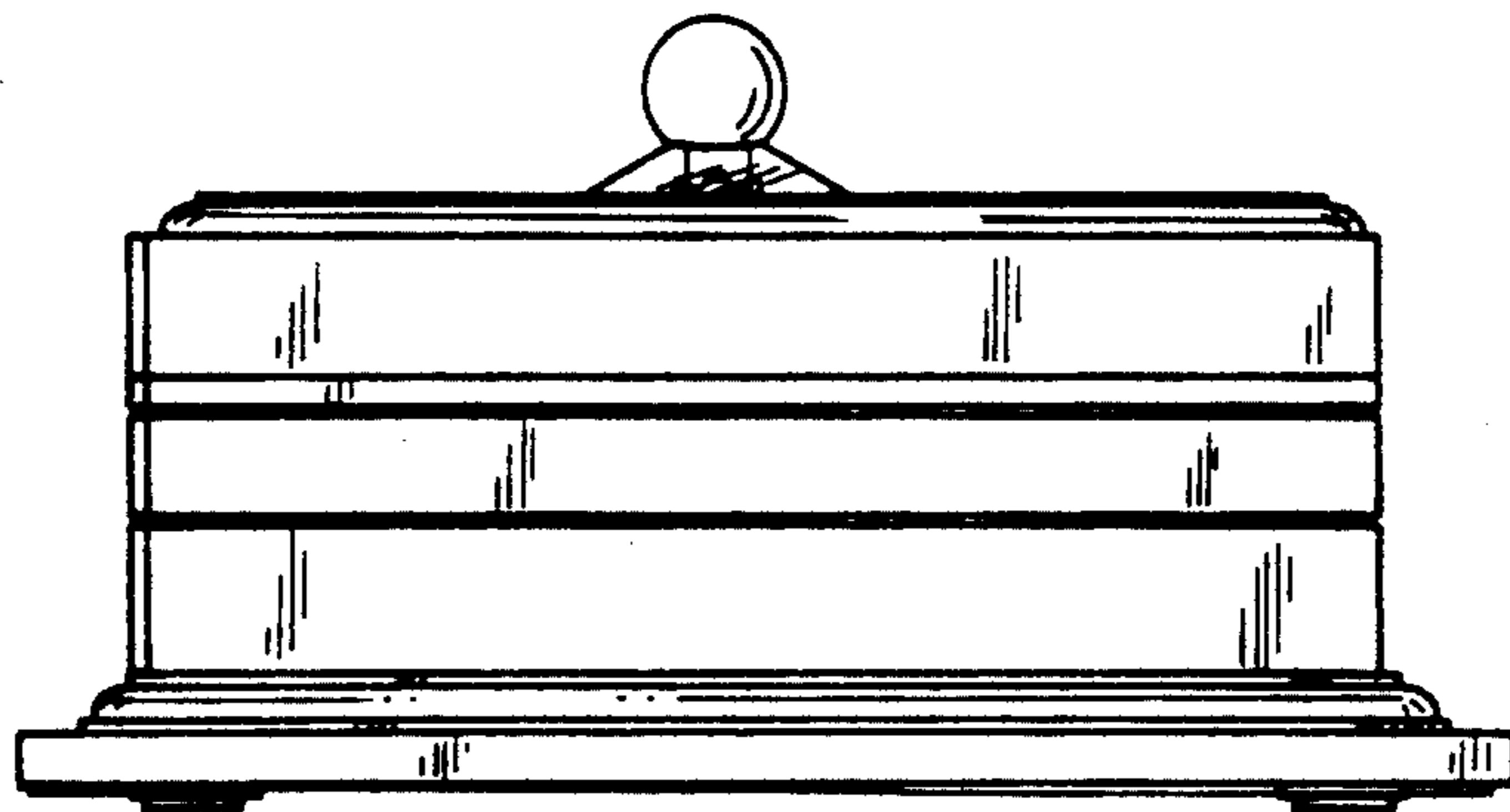


FIG. 6

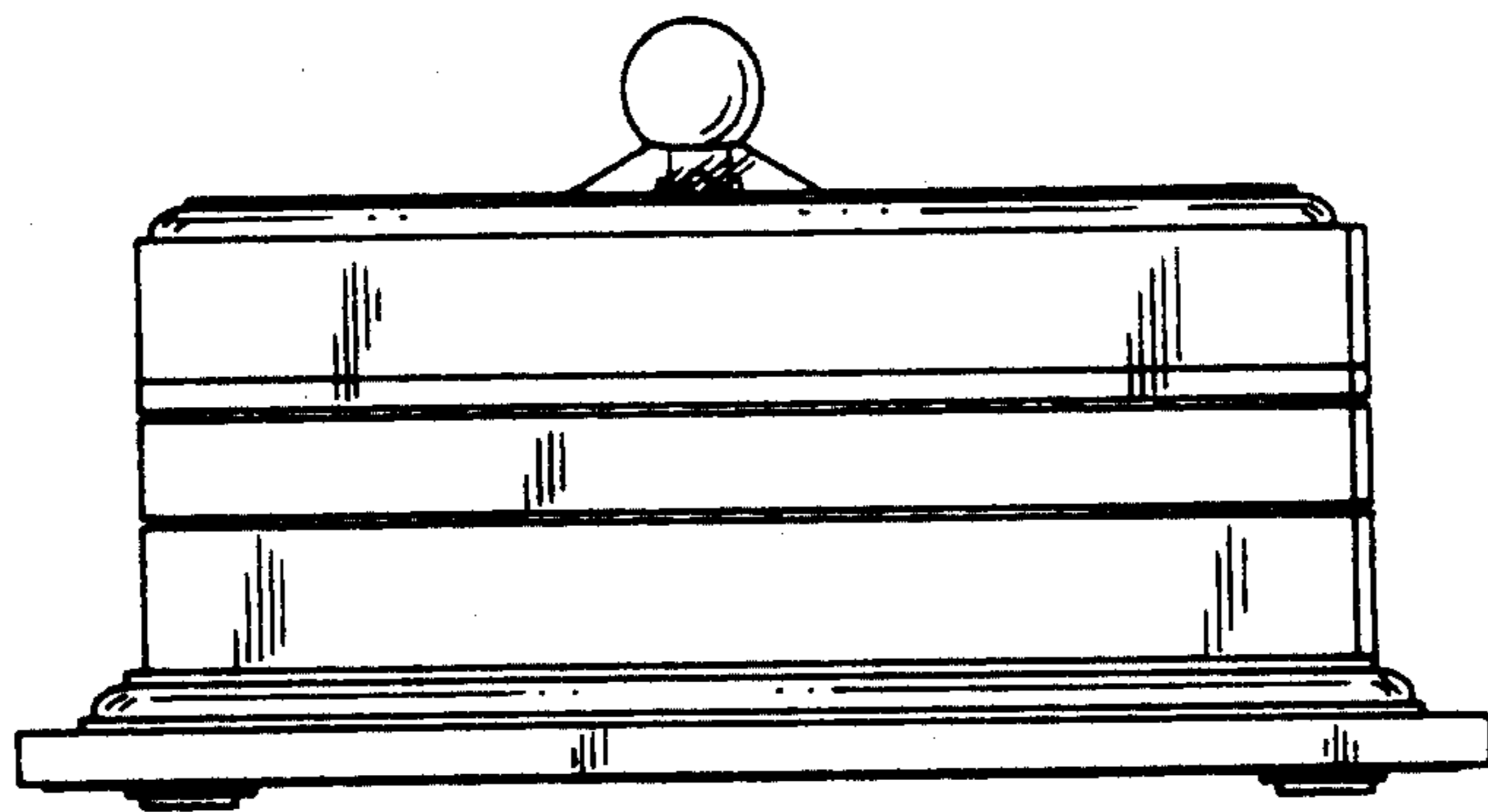


FIG. 7

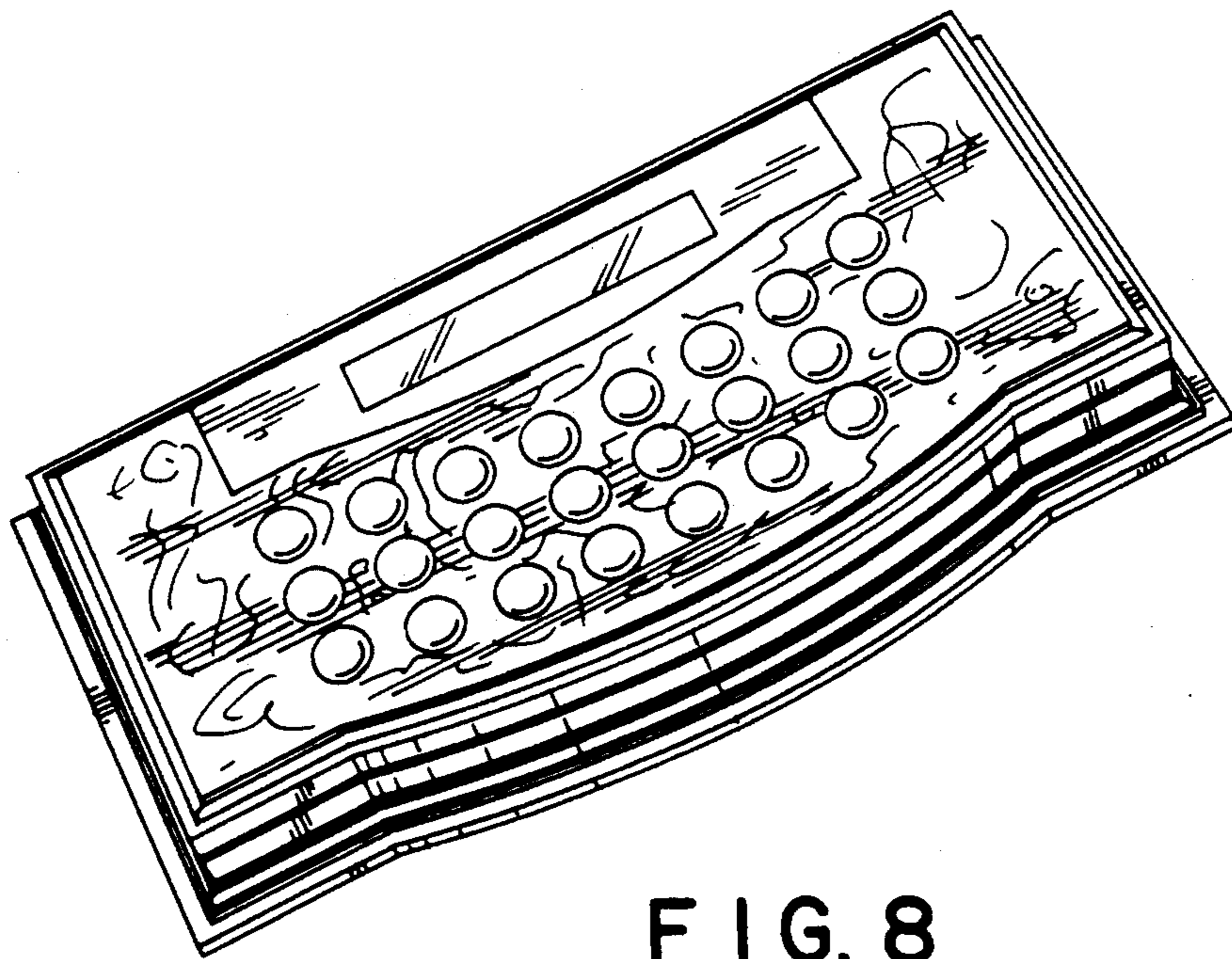


FIG. 8

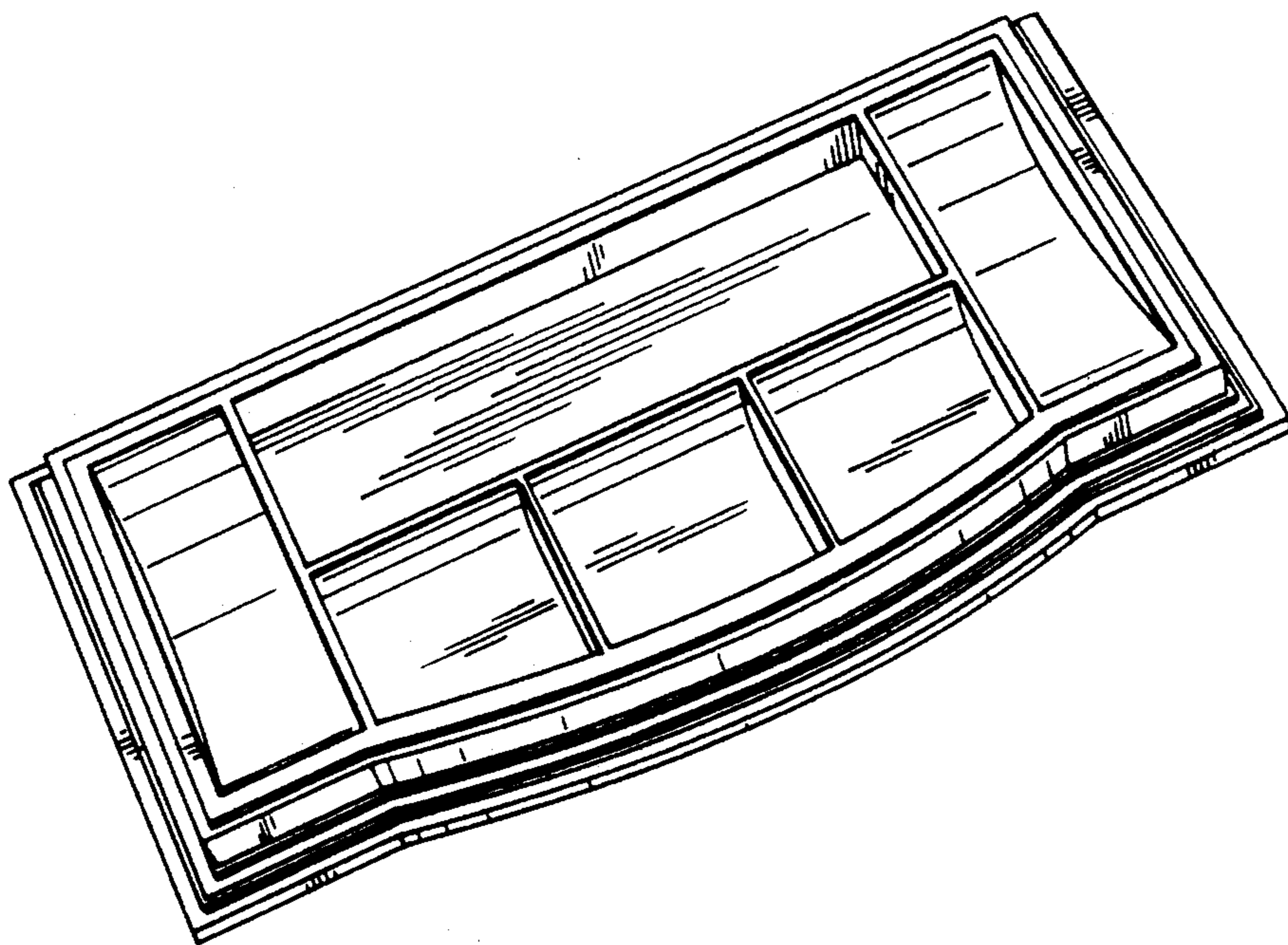


FIG. 9