



US00D336655S

United States Patent [19] Lee

[11] Patent Number: **Des. 336,655**
[45] Date of Patent: **** Jun. 22, 1993**

[54] **MAGNIFIER WITH LAMP**
[76] Inventor: **Ming-Jin Lee**, 7F, No. 21, Lane 67,
Lin-Shan N. Rd., Taipei, Taiwan
[**] Term: **14 Years**
[21] Appl. No.: **724,331**
[22] Filed: **Jul. 1, 1991**
[52] U.S. Cl. **D16/135; D26/51;**
D26/65
[58] **Field of Search** **D16/135; D26/51, 65,**
D26/61, 63, 37, 38, 42; 362/202, 109, 188, 193,
199, 183, 200, 98, 335; 359/818, 827, 798, 810,
801, 803

D. 314,632 2/1991 Van Brunshot D26/37
5,021,933 6/1991 Cordes 362/109
5,132,849 7/1992 Cordes 362/109 X

Primary Examiner—A. Hugo Word
Assistant Examiner—Doris V. Coles
Attorney, Agent, or Firm—Varndell Legal Group

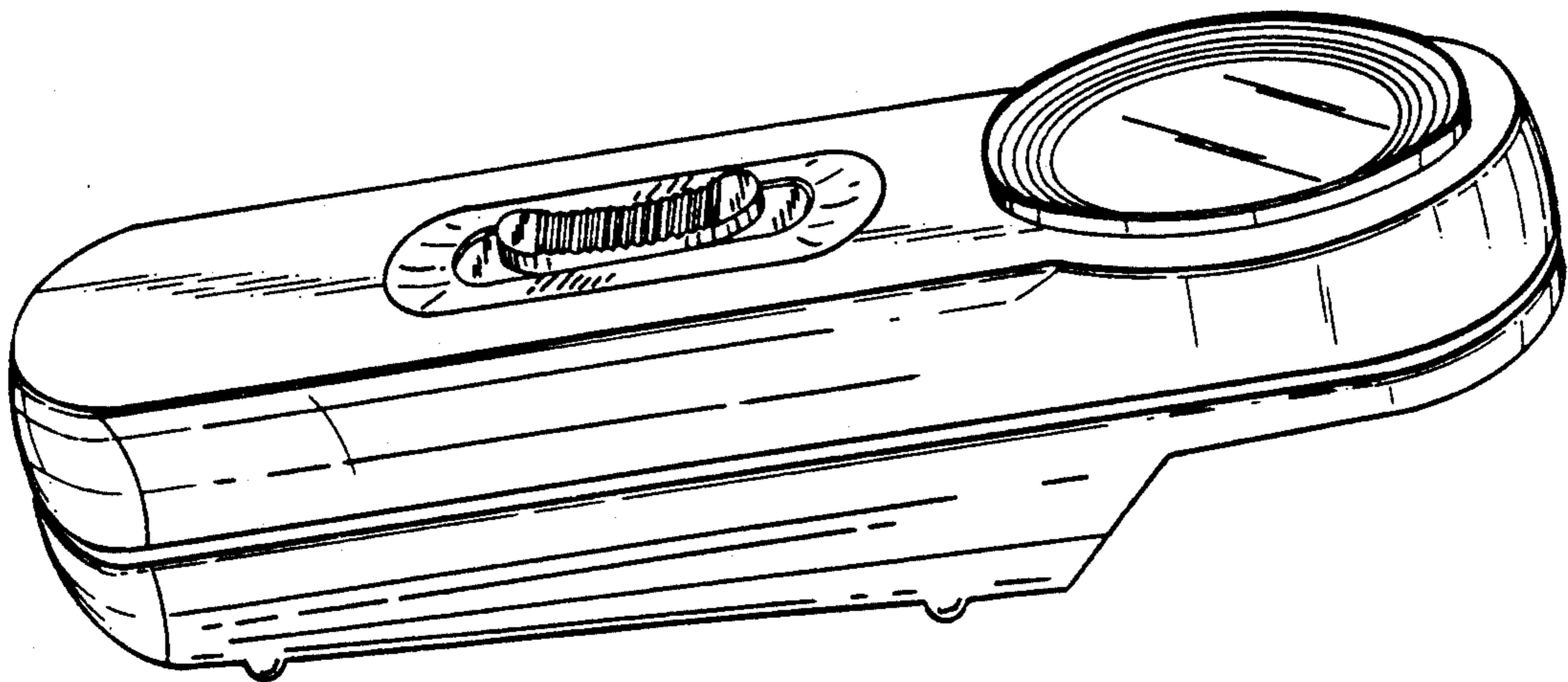
[56] **References Cited**
U.S. PATENT DOCUMENTS

D. 246,045 10/1977 Suzuki D16/135 X
D. 247,712 4/1978 LaBarge D16/135
D. 269,184 5/1983 Tweedle D16/135
D. 290,407 6/1987 Yuen D26/42
D. 298,634 11/1988 Yuen D16/135
D. 305,664 1/1990 Speaker D16/135
D. 307,806 5/1990 Byar et al. D26/38 X

[57] **CLAIM**
The ornamental design for a magnifier with lamp, as shown and described.

DESCRIPTION

FIG. 1 is a perspective view of a magnifier with lamp showing my new design;
FIG. 2 is a front elevational view;
FIG. 3 is a rear elevational view;
FIG. 4 is a right side elevational view thereof, the left side elevational view being a mirror image thereof;
FIG. 5 is a top plan view;
FIG. 6 is a bottom plan view;
FIG. 7 is an elevational view thereof showing that one stand is set up and the other is collapsed; and,
FIG. 8 is an another elevational view thereof showing that the two stands are both set up thereof.



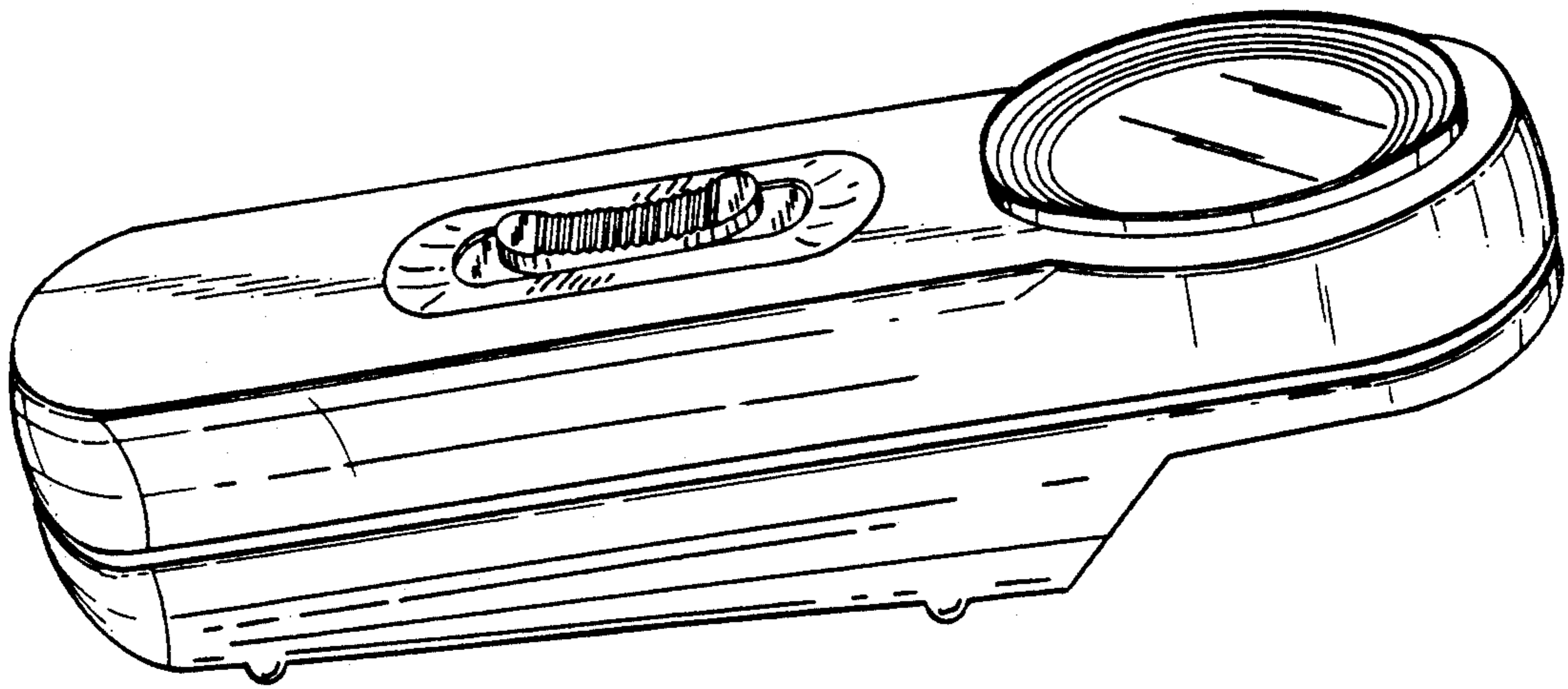


Fig. 1

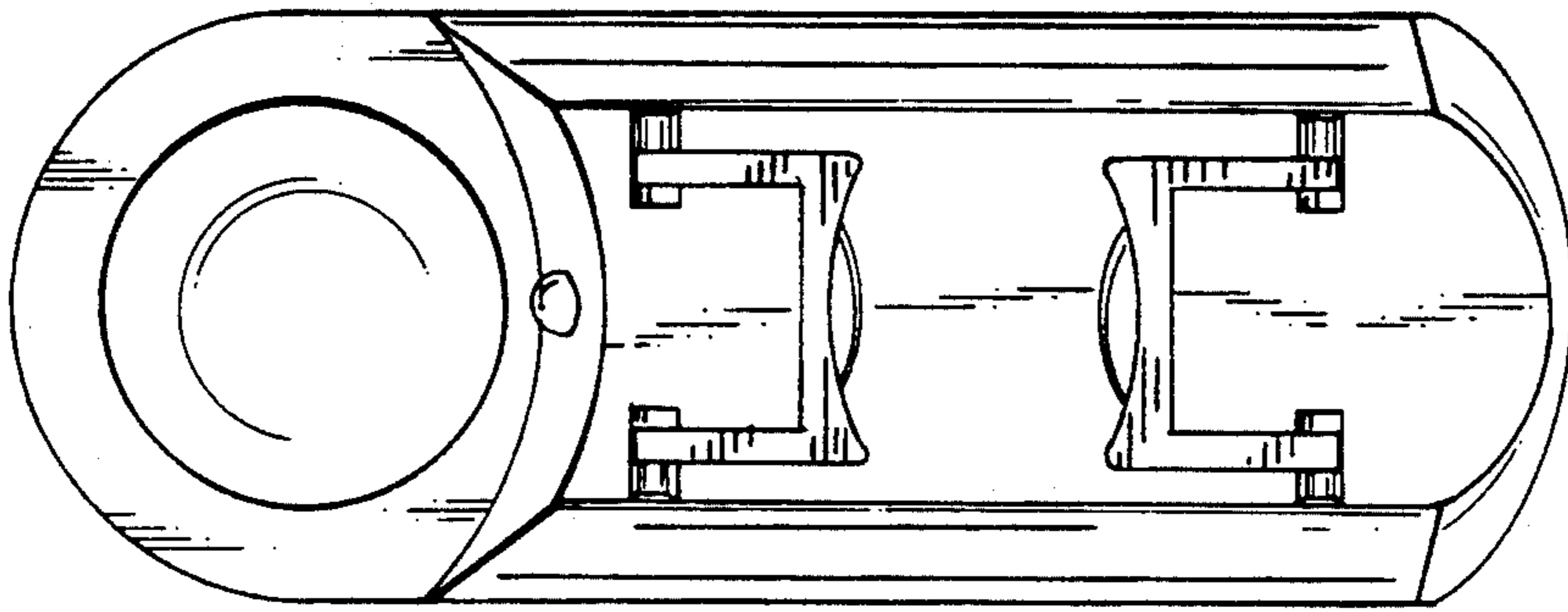


Fig. 3

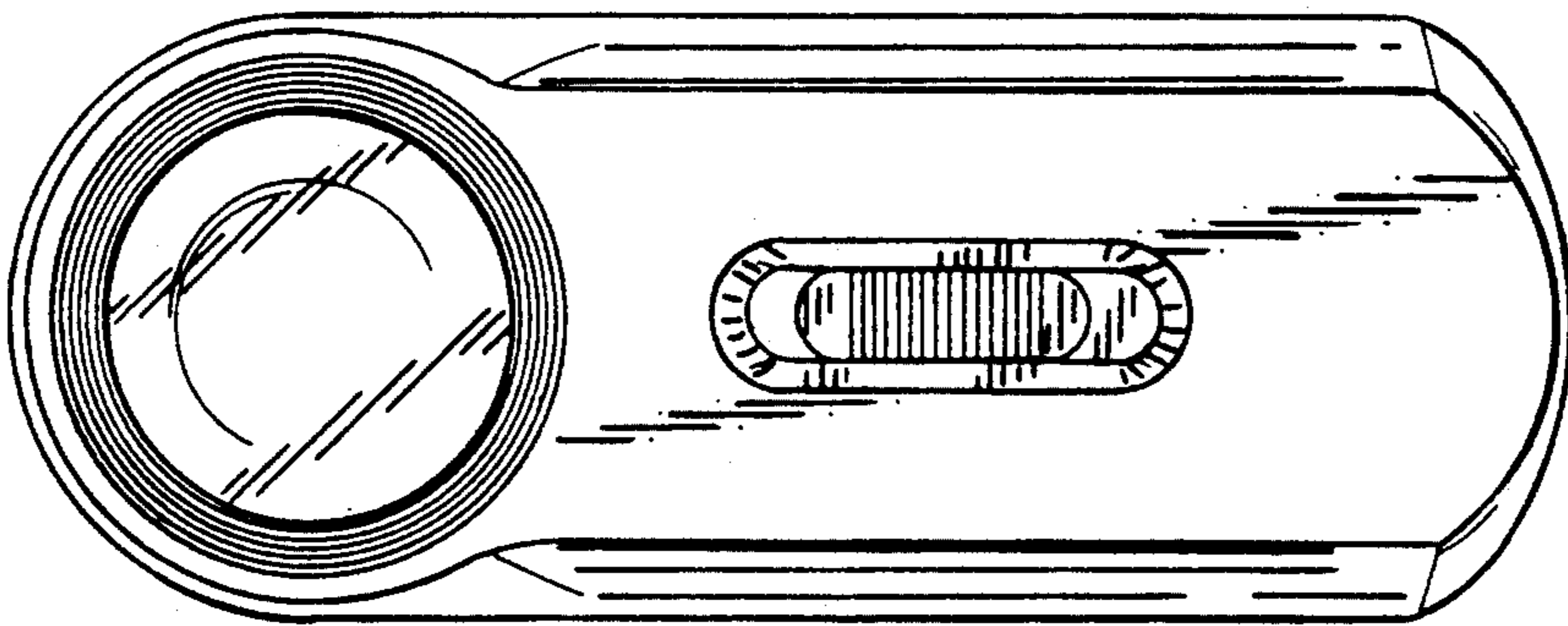


Fig. 2

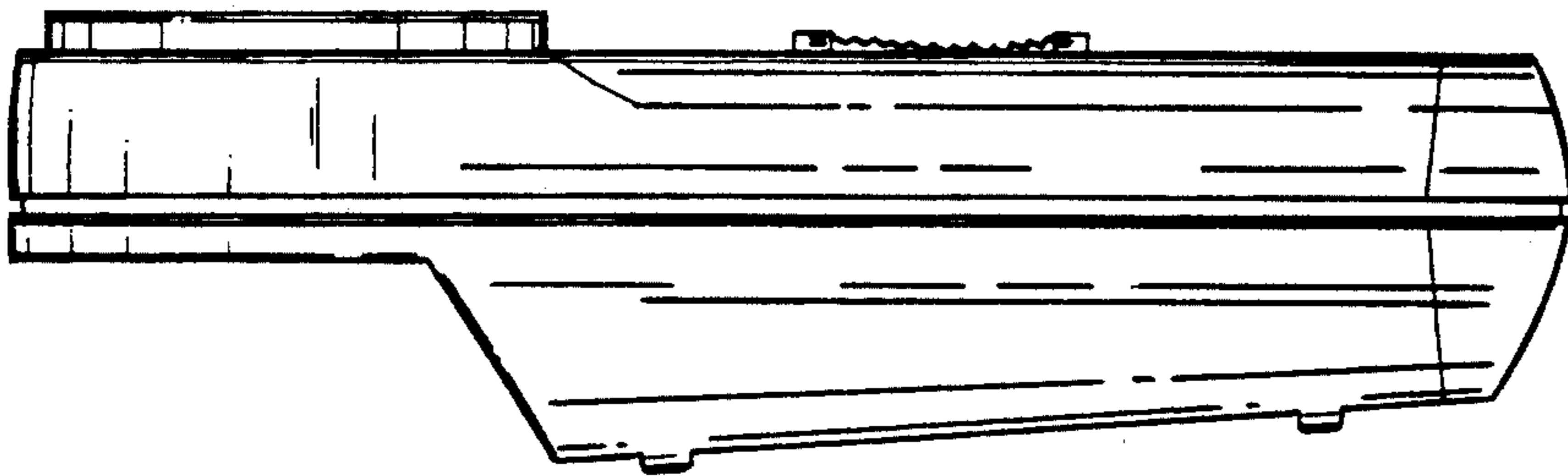


Fig. 4

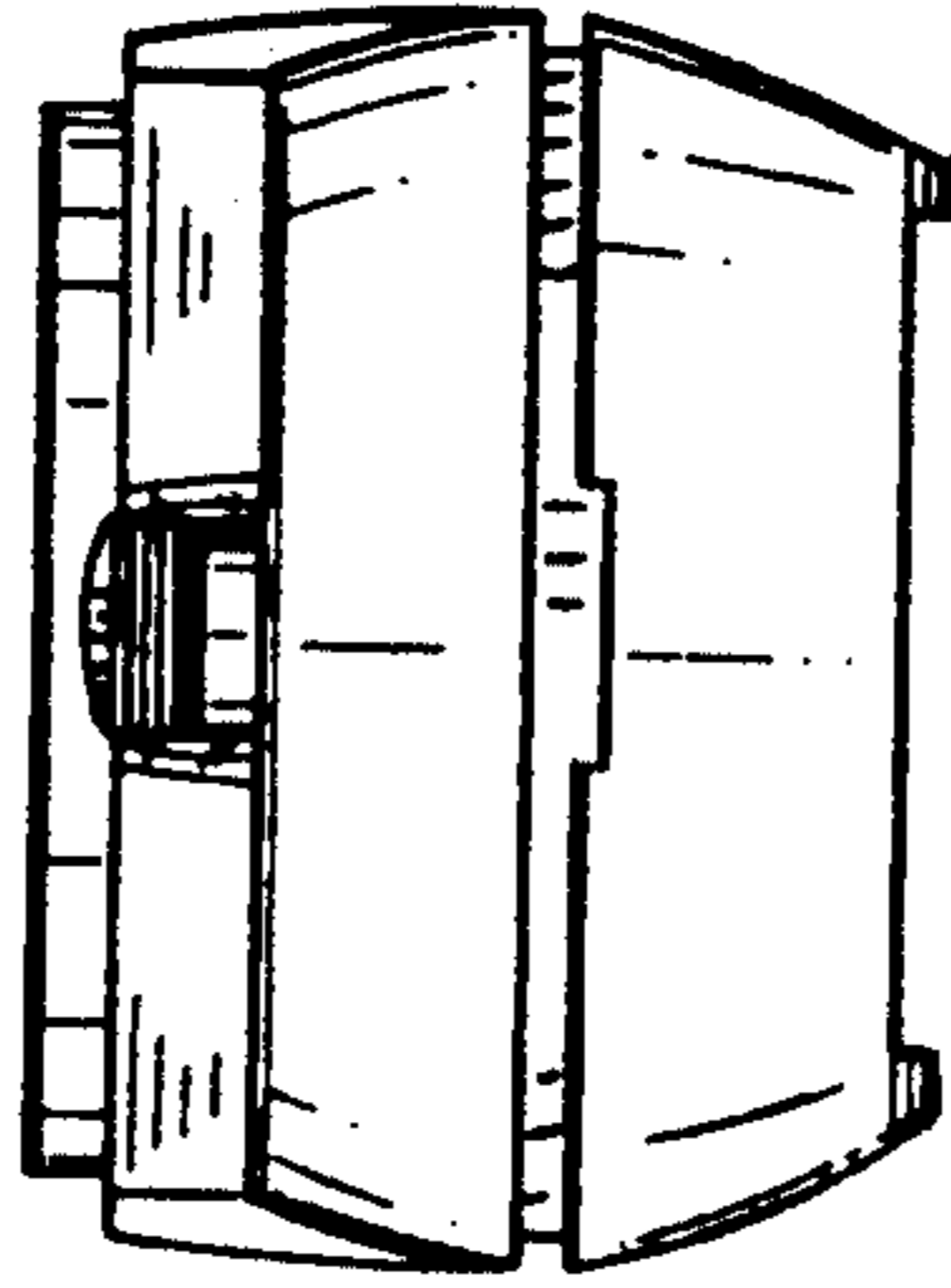


Fig. 6

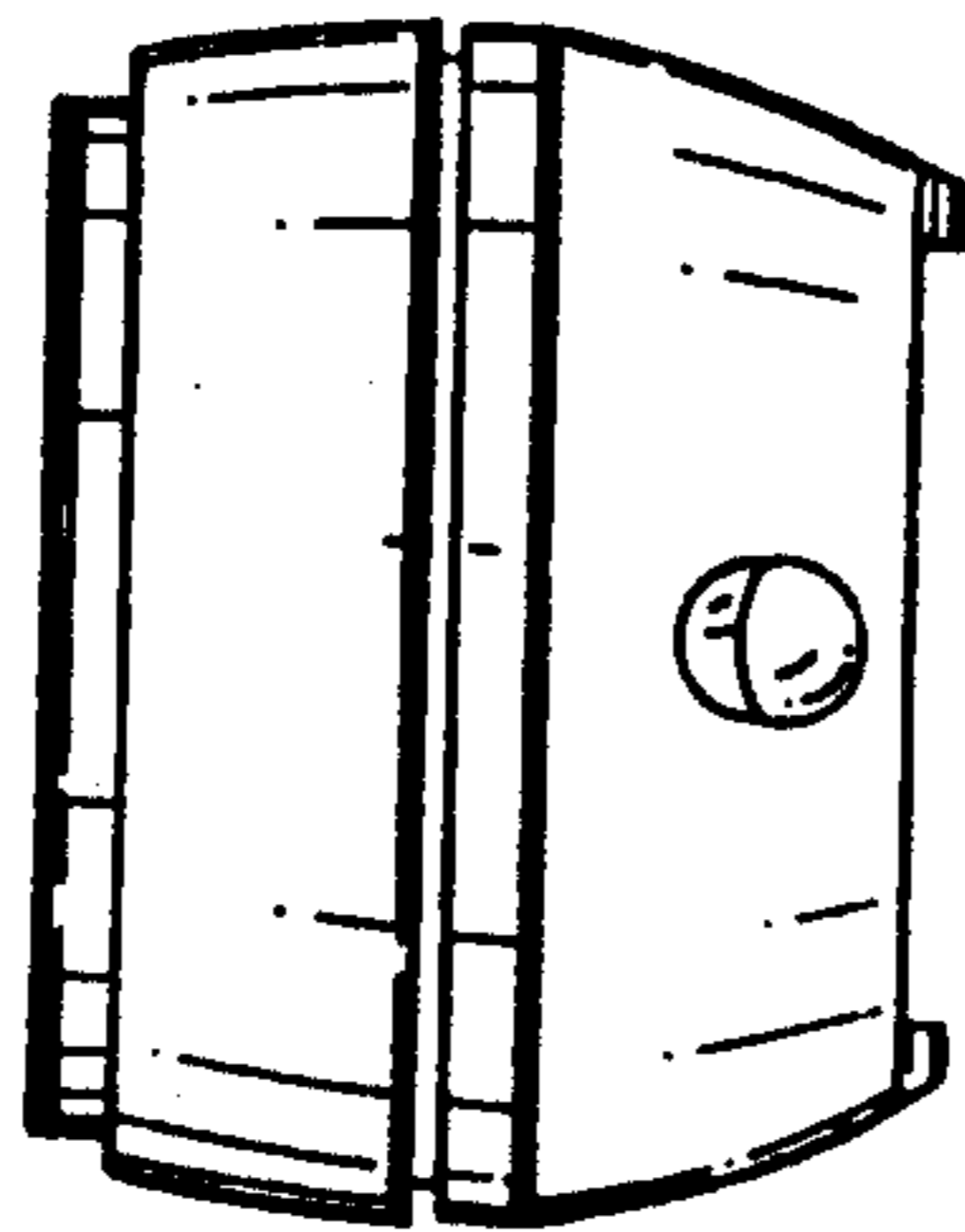


Fig. 5

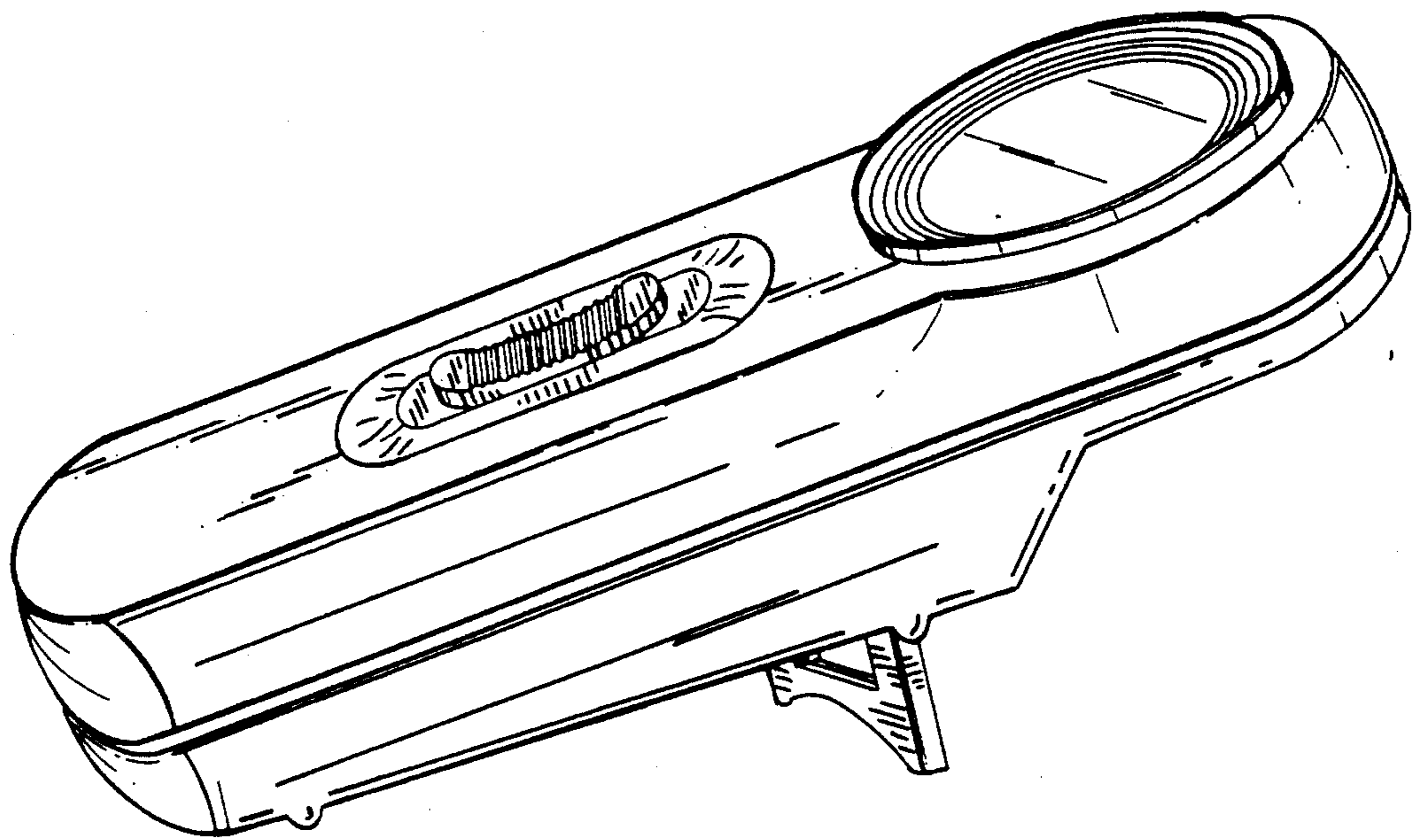


Fig. 7

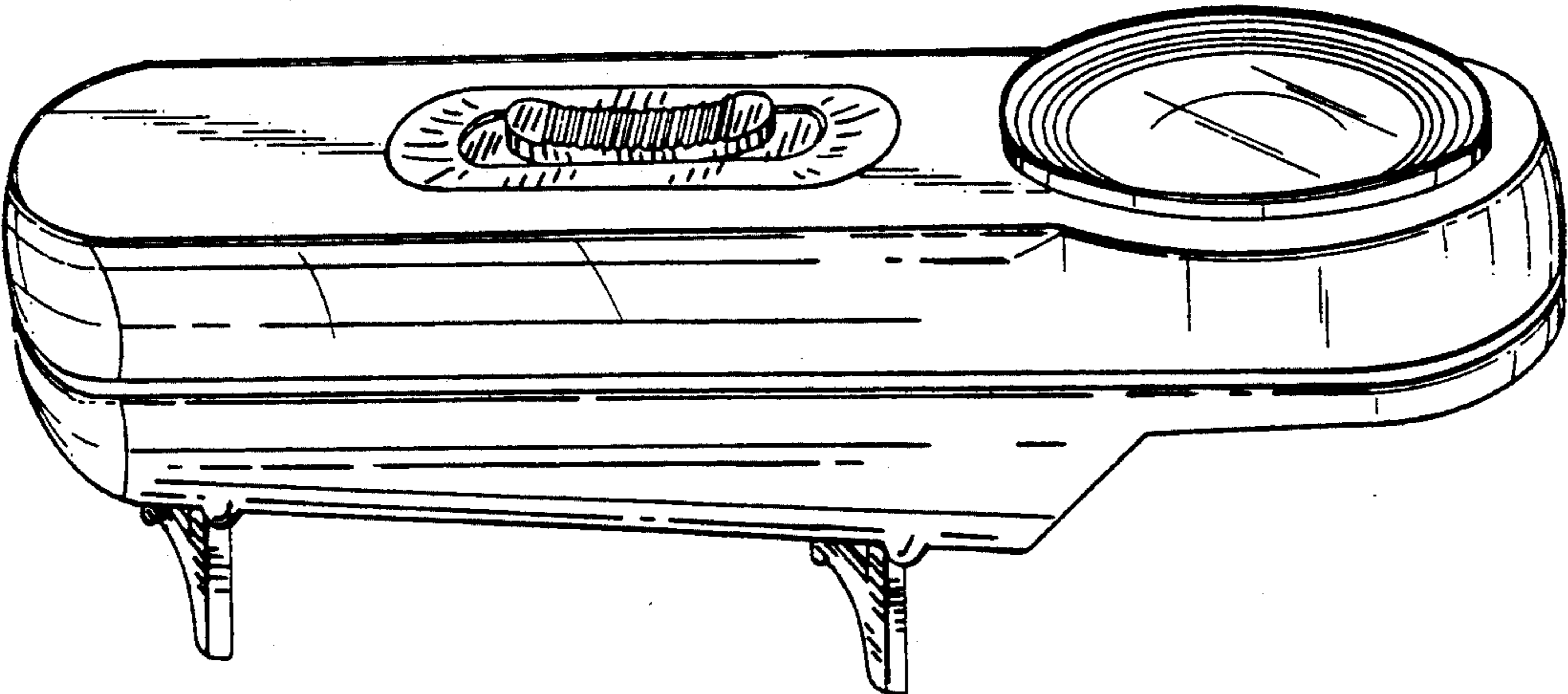


Fig. 8