



US00D336654S

# United States Patent [19] Kung

[11] Patent Number: **Des. 336,654**  
[45] Date of Patent: **\*\* Jun. 22, 1993**

[54] **BINOCULARS**

[76] Inventor: **Su-Min Kung**, 6F-7, No. 139, Sec. 1, Keelung Road, Taipei, Taiwan

[\*\*] Term: **14 Years**

[21] Appl. No.: **756,089**

[22] Filed: **Sep. 6, 1991**

[52] U.S. Cl. .... **D16/133**

[58] Field of Search ..... **D16/133; 359/404, 407, 359/408, 410, 411, 413, 414, 417, 418, 421, 422, 579, 554, 555, 556**

[56] **References Cited**

**U.S. PATENT DOCUMENTS**

D. 98,185	1/1936	Reynolds	.....	D16/133
D. 271,307	11/1983	Green et al.	.....	D16/133
4,013,340	3/1977	Mukai et al.	.....	359/417
4,013,341	3/1977	Riley	.....	359/408
4,436,386	3/1984	Ishibai et al.	.....	359/417

**OTHER PUBLICATIONS**

Popular Photography, Dec. 1990, Back Cover, Binoculars.

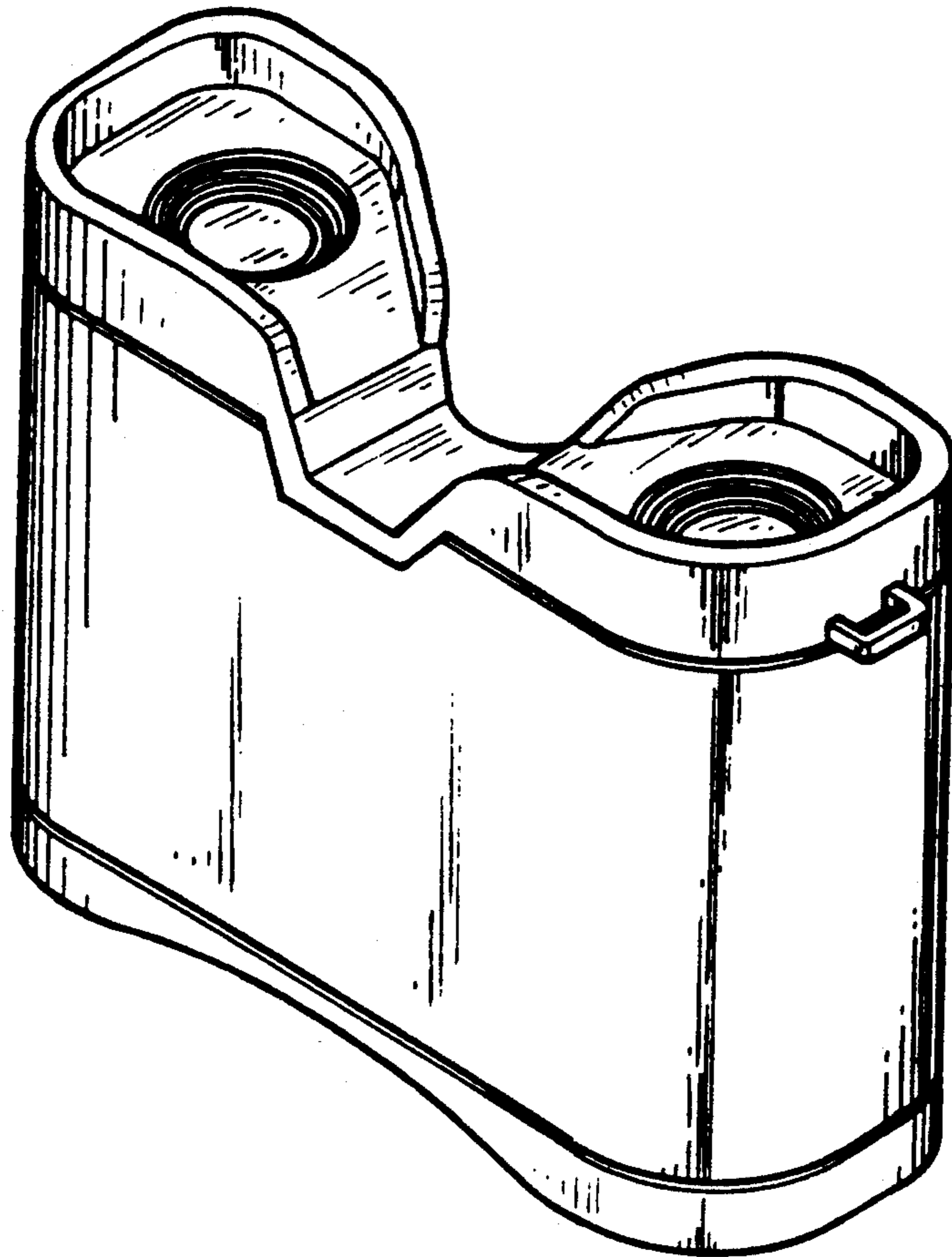
*Primary Examiner*—A. Hugo Word  
*Assistant Examiner*—Doris V. Coles  
*Attorney, Agent, or Firm*—Ostrolenk, Faber, Gerb & Soffen

[57] **CLAIM**

The ornamental design for binoculars, as shown.

**DESCRIPTION**

FIG. 1 is a perspective view of binoculars showing my design;  
FIG. 2 is a top view thereof;  
FIG. 3 is a bottom view thereof;  
FIG. 4 is a side view thereof;  
FIG. 5 is the opposite side view thereof;  
FIG. 6 is a rear view thereof; and,  
FIG. 7 is a front view thereof.



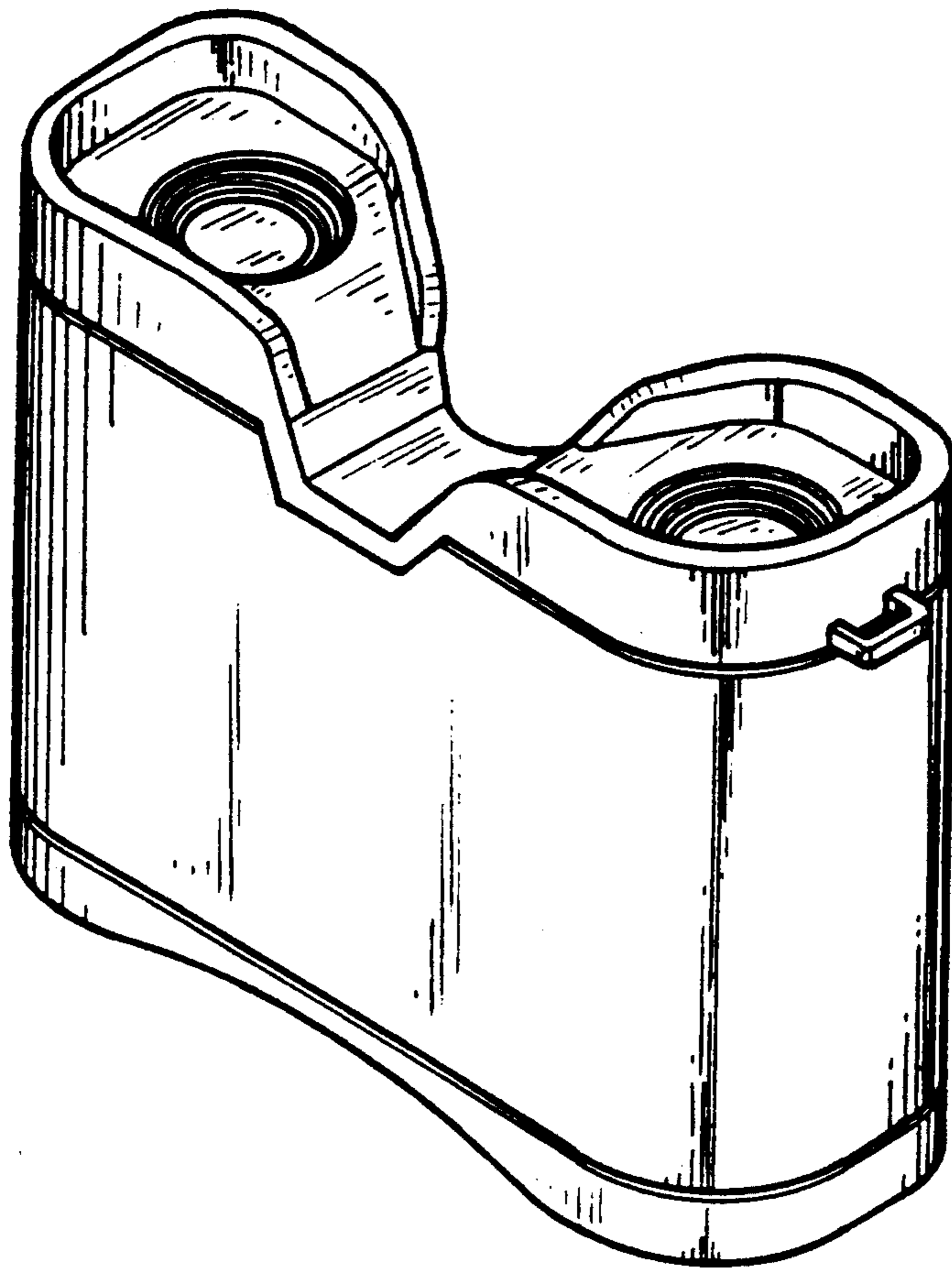


FIG. 1

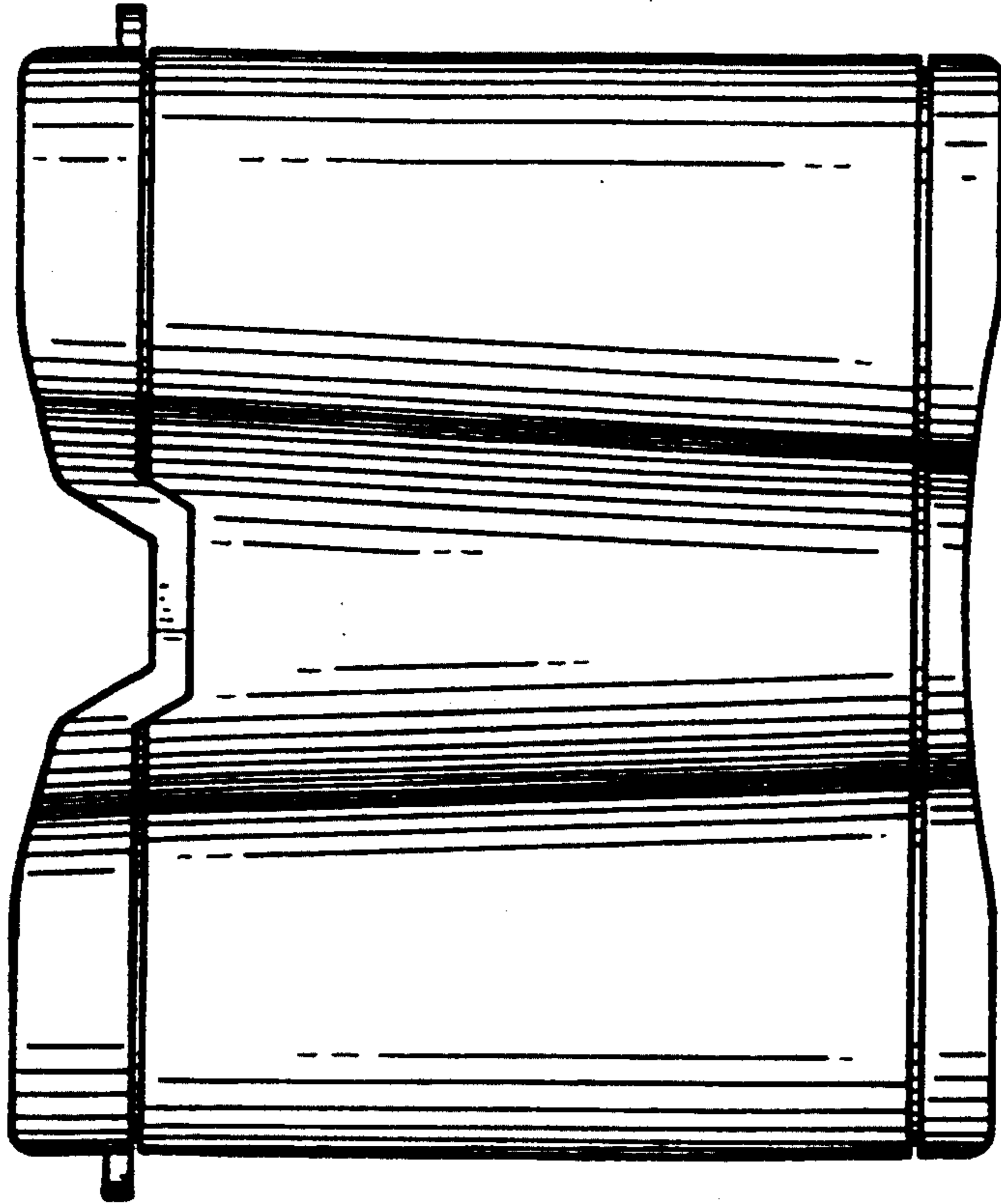


FIG. 3

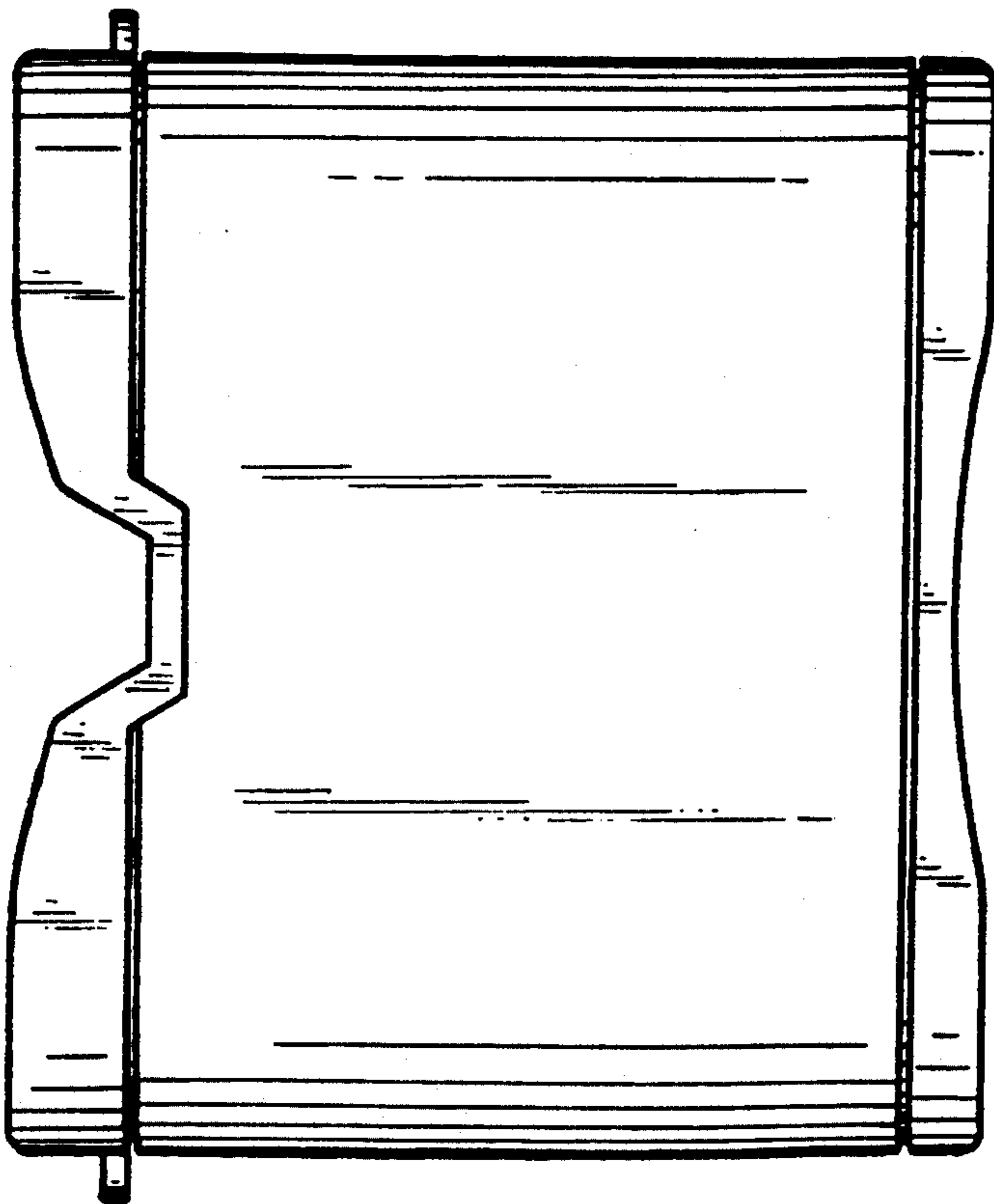


FIG. 2

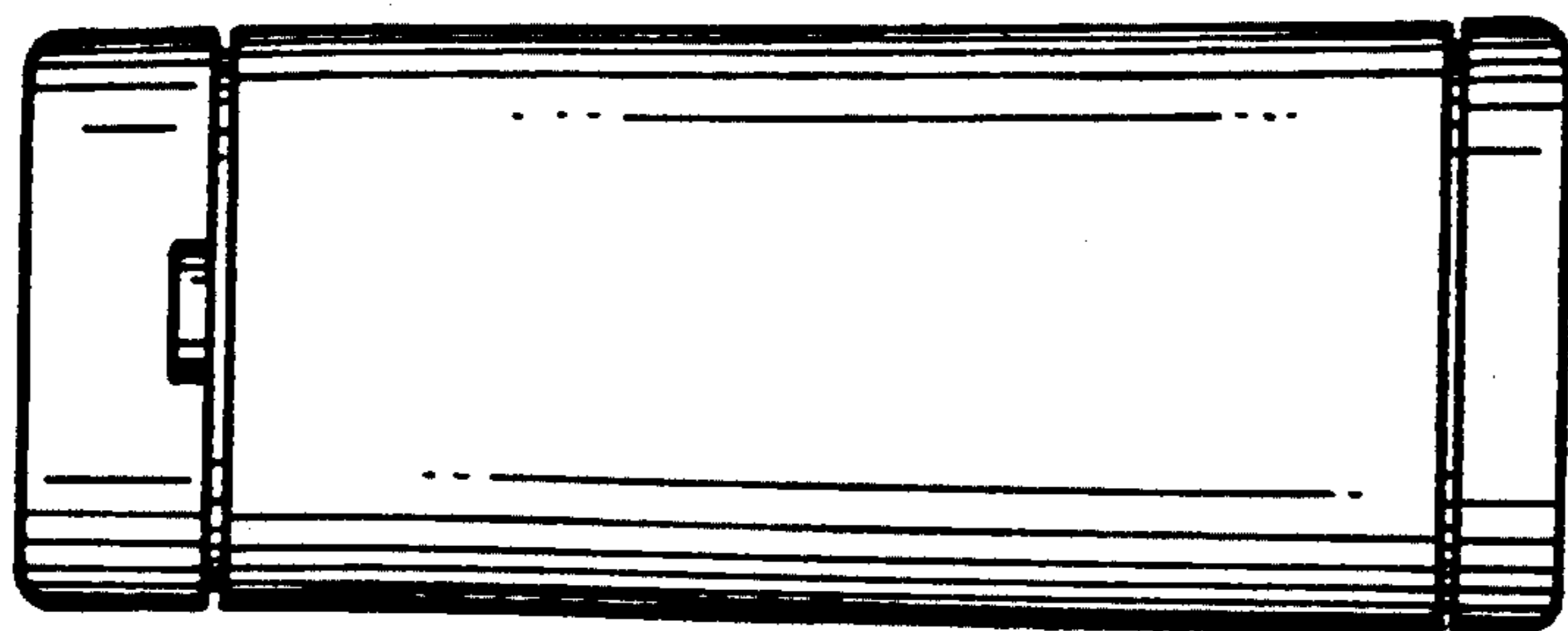


FIG. 5

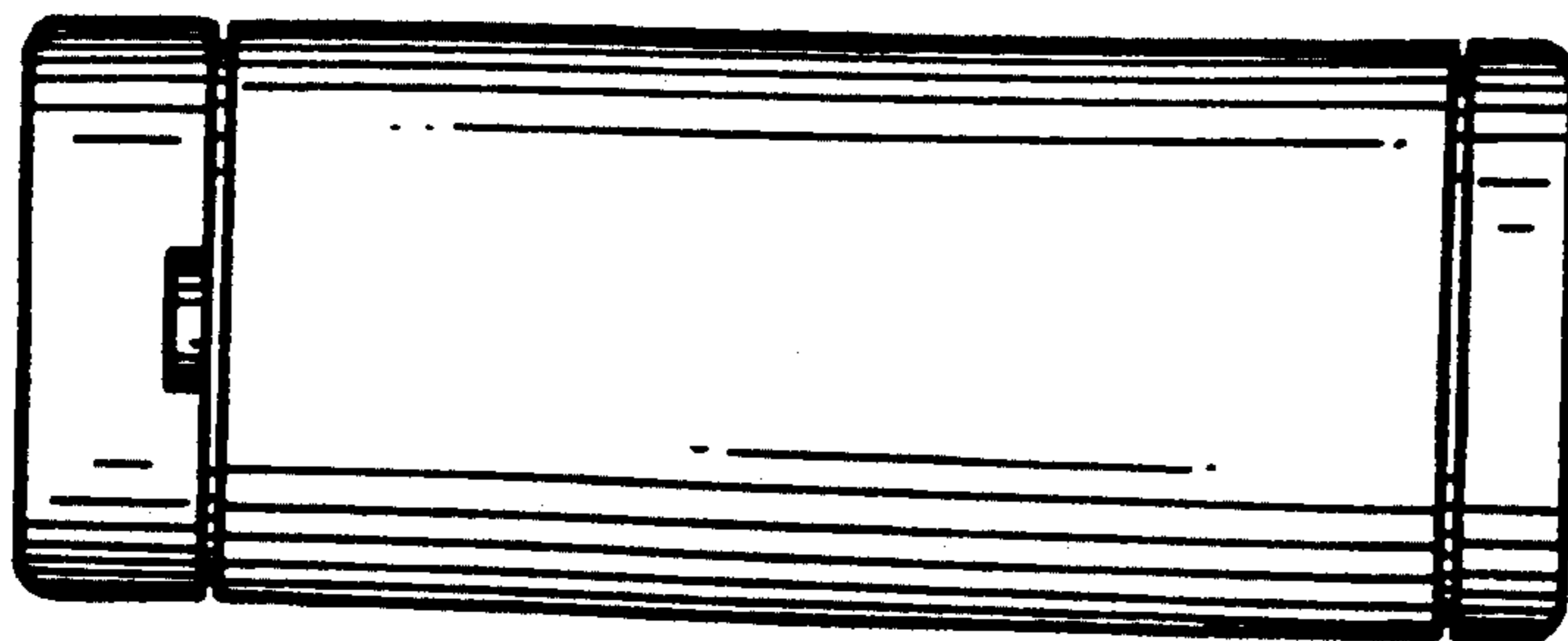


FIG. 4

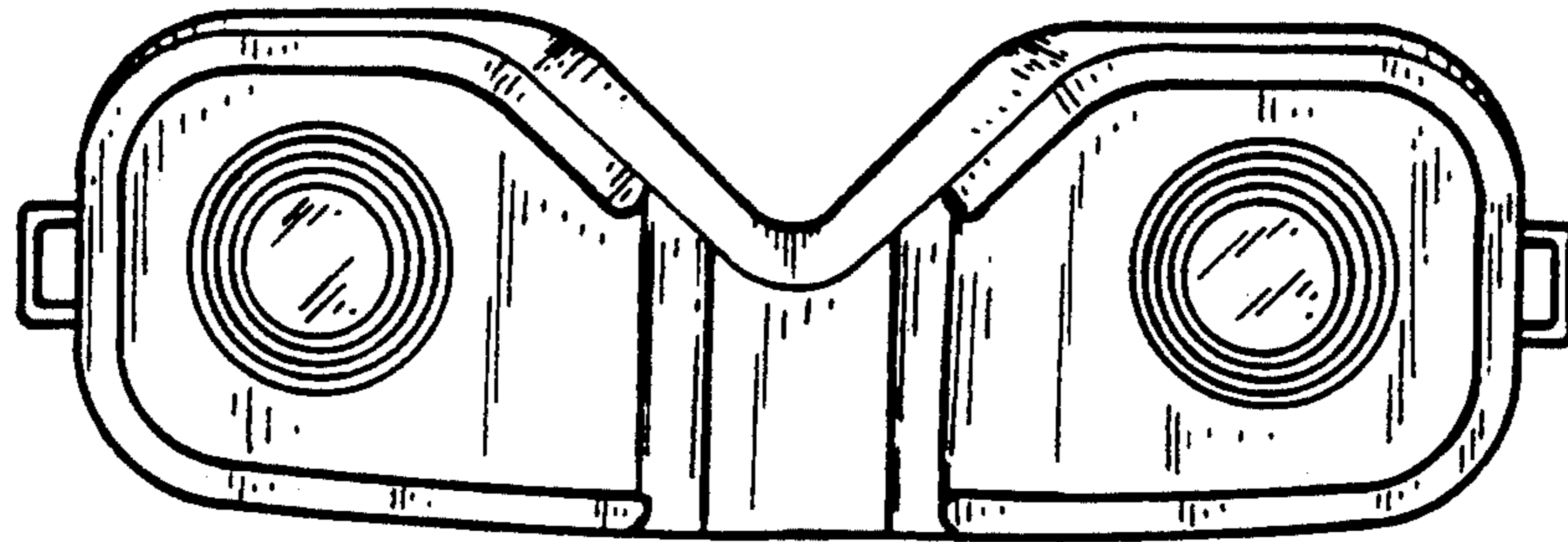


FIG. 6

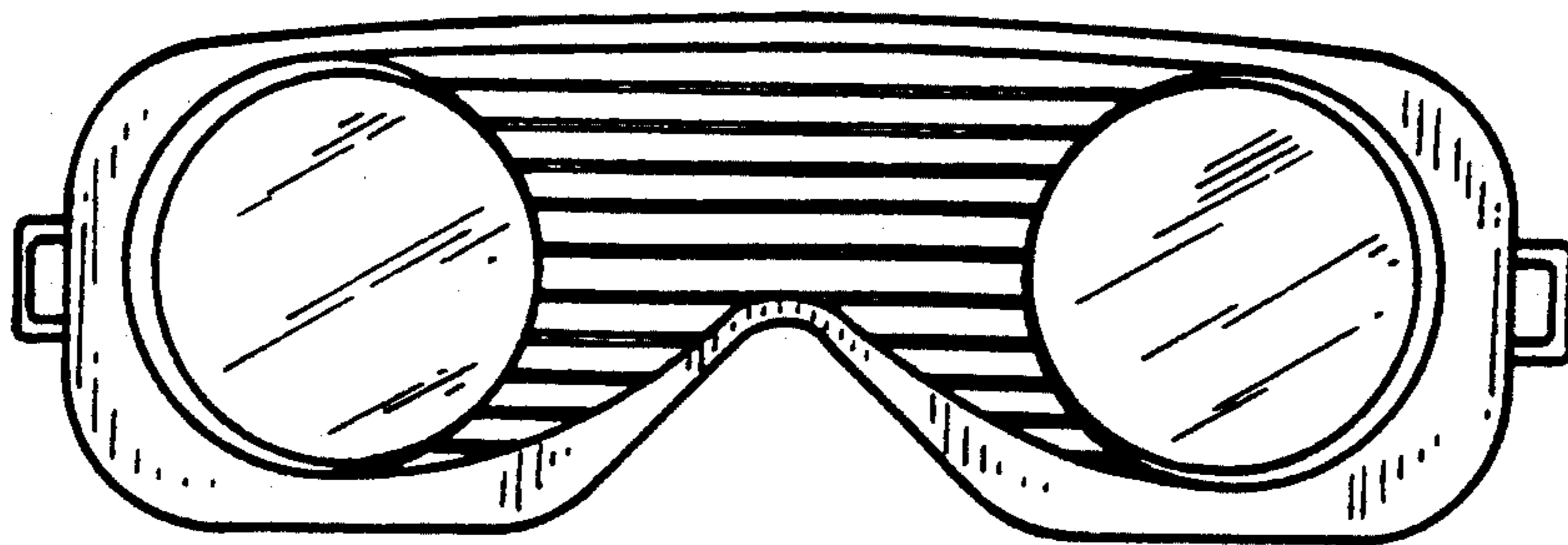


FIG. 7