



US00D336652S

**United States Patent** [19]  
**Arehart**

[11] **Patent Number: Des. 336,652**  
[45] **Date of Patent: \*\* Jun. 22, 1993**

[54] **SLIDE COMPOUND MITER SAW**  
[75] **Inventor: Robert W. Arehart, DuPage, Ill.**  
[73] **Assignee: Emerson Electric Co., St. Louis, Mo.**  
[\*\*] **Term: 14 Years**  
[21] **Appl. No.: 756,390**  
[22] **Filed: Sep. 9, 1991**  
[52] **U.S. Cl. .... D15/133**  
[58] **Field of Search ..... D15/127, 133; 83/471.1, 83/471.3, 477, 581**

*Primary Examiner—Alan P. Douglas*  
*Assistant Examiner—A. D. Davis*  
*Attorney, Agent, or Firm—Polster, Lieder, Woodruff & Lucchesi*

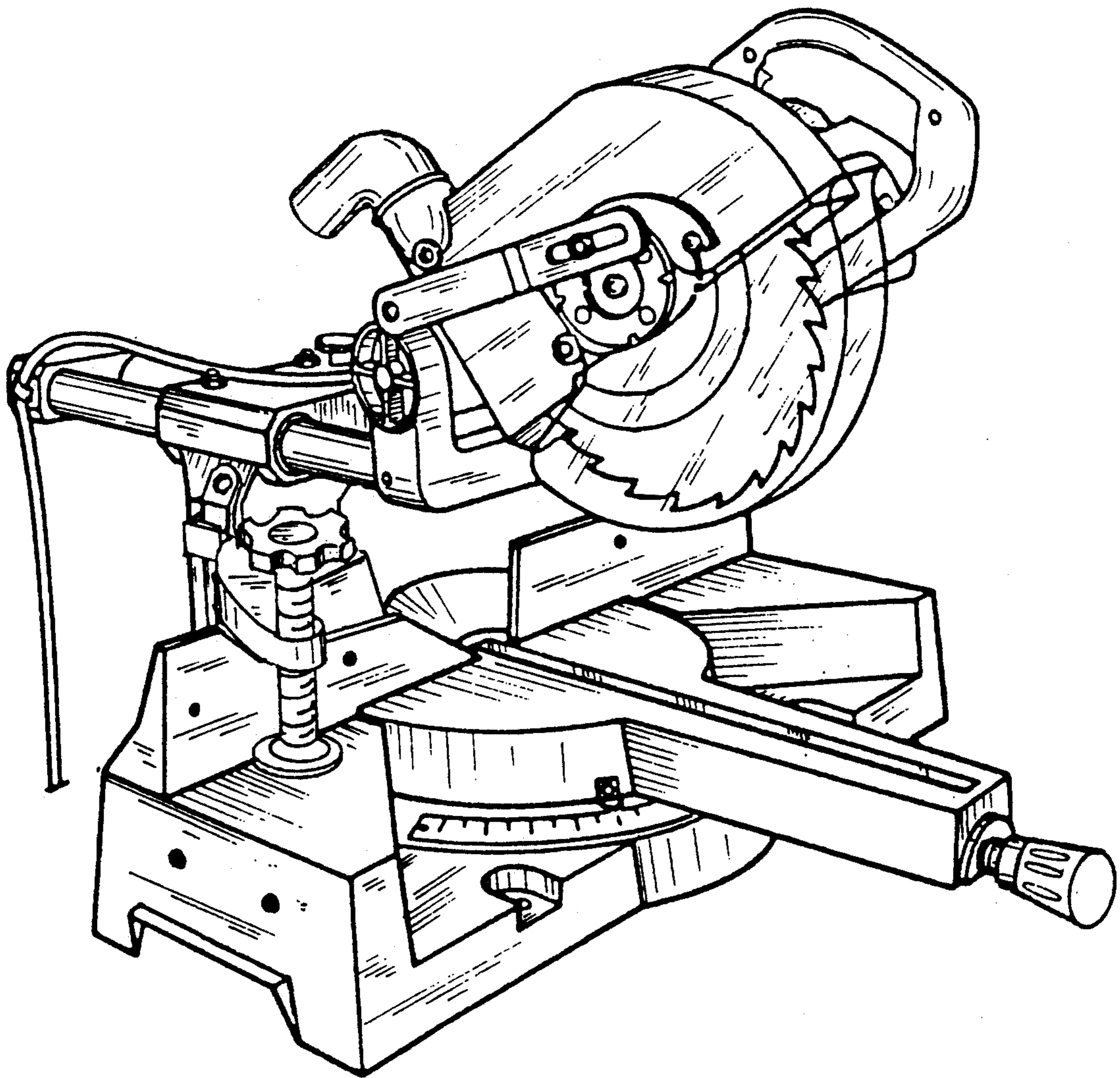
[57] **CLAIM**

The ornamental design for slide compound miter saw, as shown and described.

**DESCRIPTION**

FIG. 1 is a front perspective view of a slide compound miter saw showing my new design;  
FIG. 2 is a rear perspective view thereof;  
FIG. 3 is a top plan view thereof;  
FIG. 4 is a bottom plan view thereof;  
FIG. 5 is a left side elevational view thereof;  
FIG. 6 is a right side elevational view thereof;  
FIG. 7 is a front elevational view thereof; and,  
FIG. 8 is a rear elevational view thereof.

[56] **References Cited**  
**U.S. PATENT DOCUMENTS**  
D. 305,542 1/1990 Miyamoto ..... D15/133  
D. 324,055 2/1992 Sakai et al. .... D15/133  
4,527,453 7/1985 van Hauton ..... 83/471.3 X  
5,042,348 8/1991 Brundage et al. .... 83/471.3



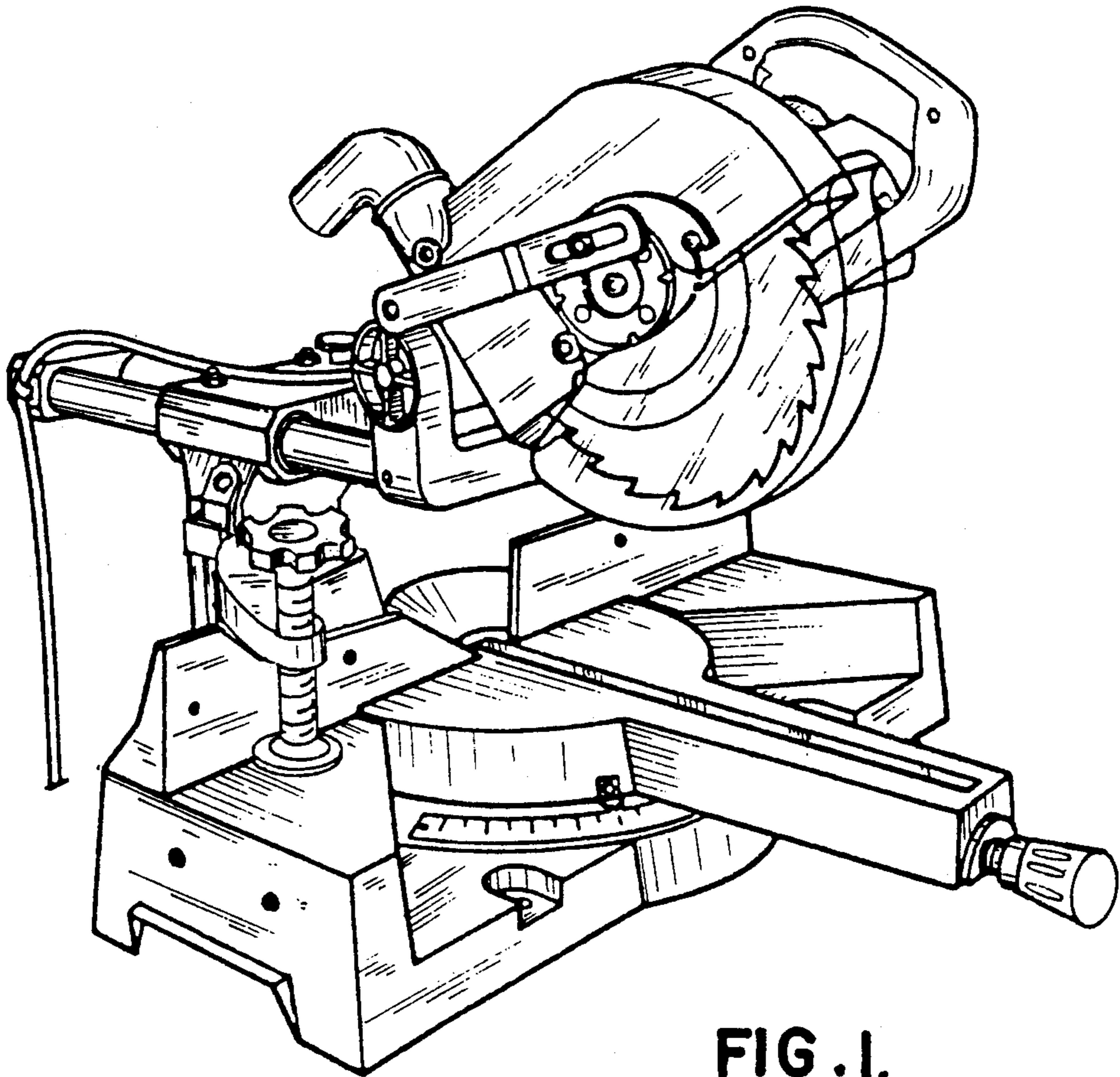


FIG. 1.

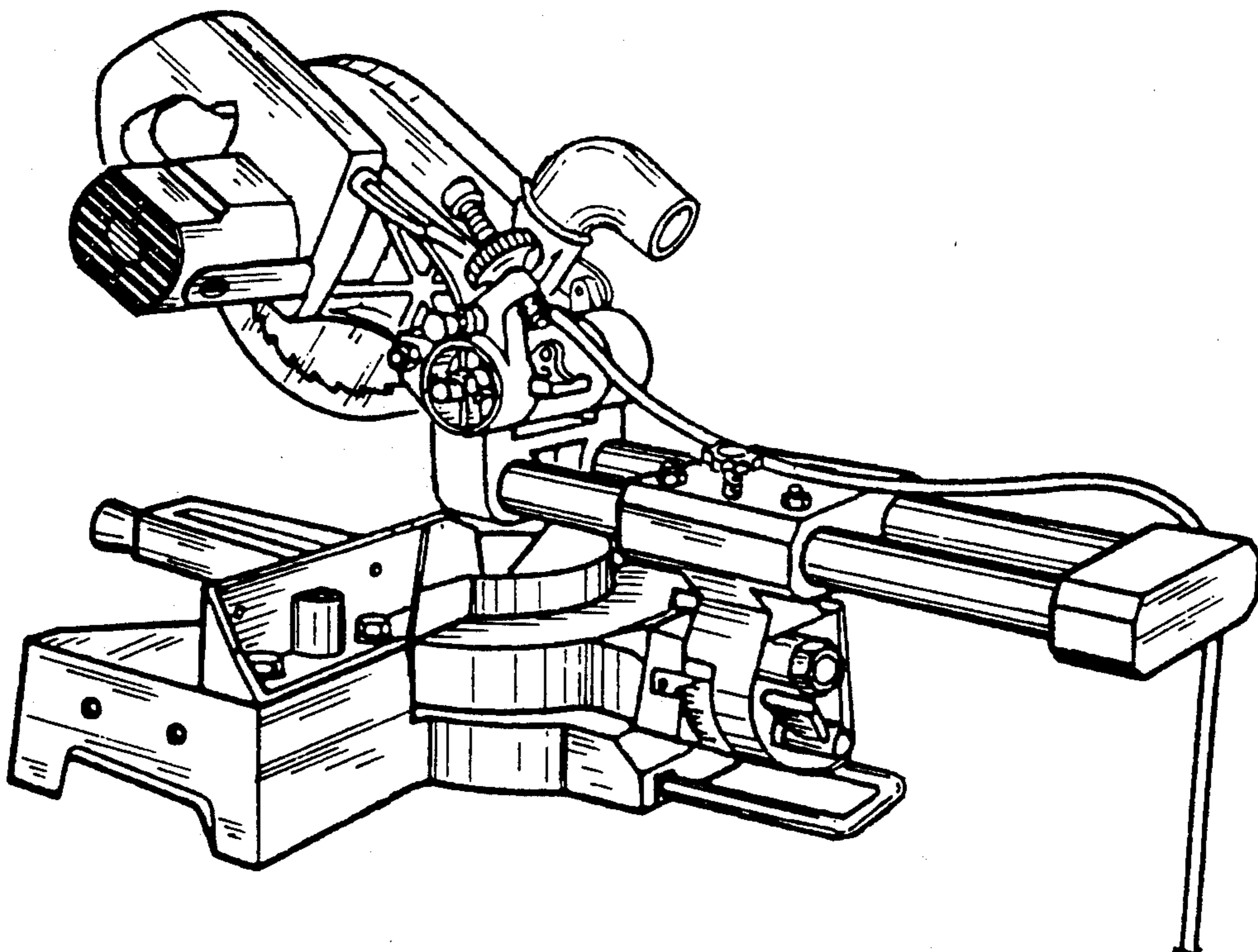


FIG. 2.

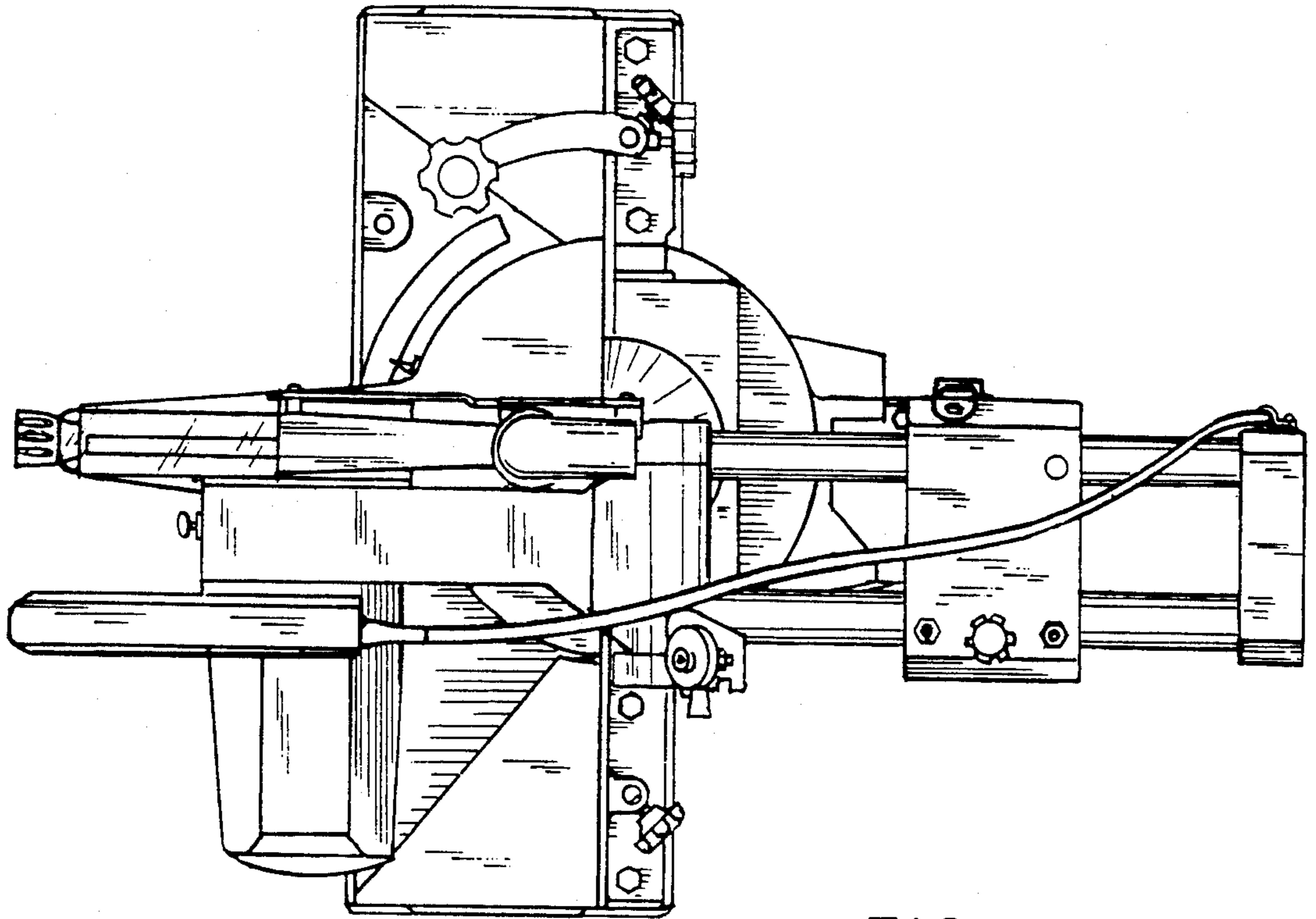


FIG. 3.

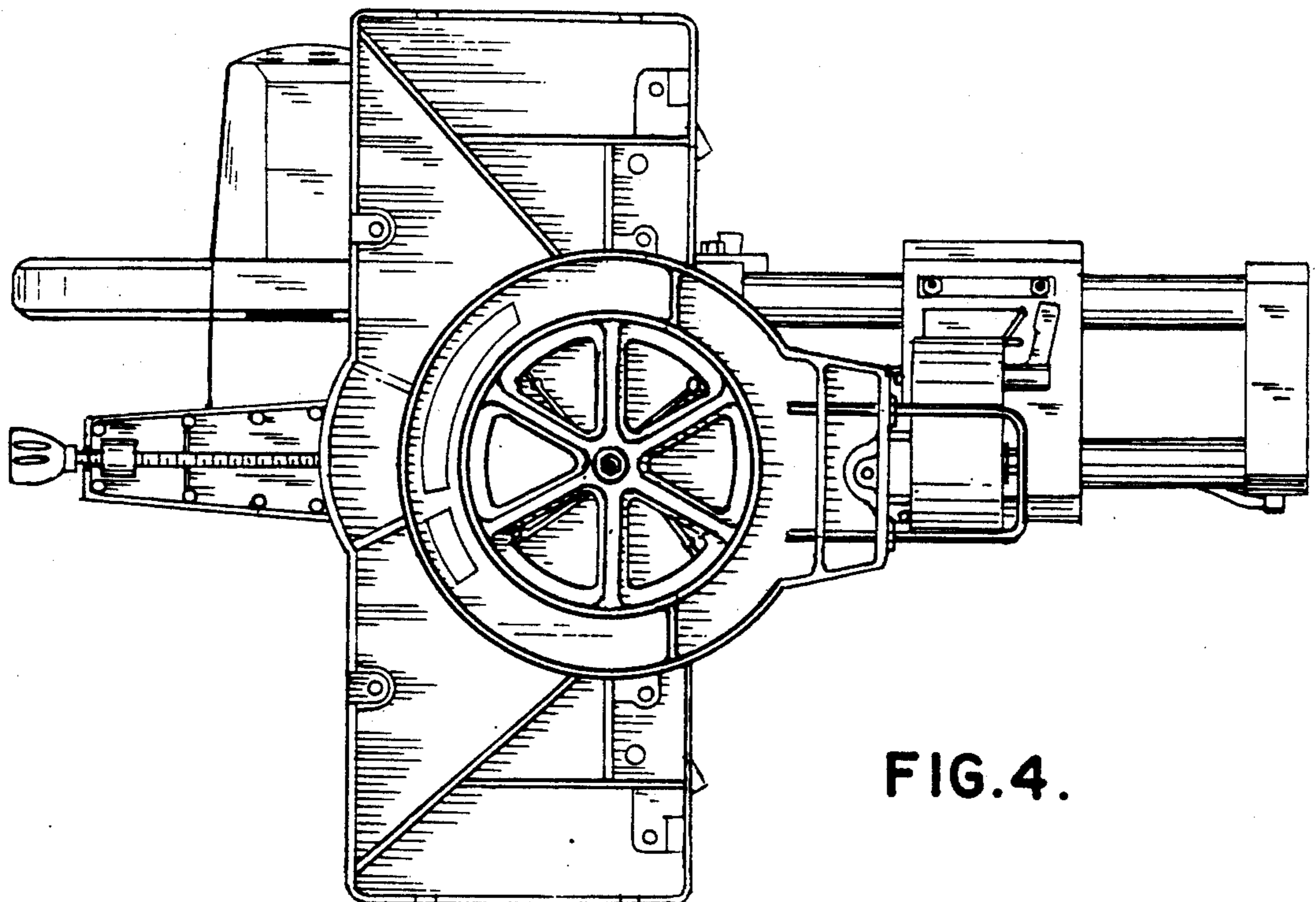


FIG. 4.

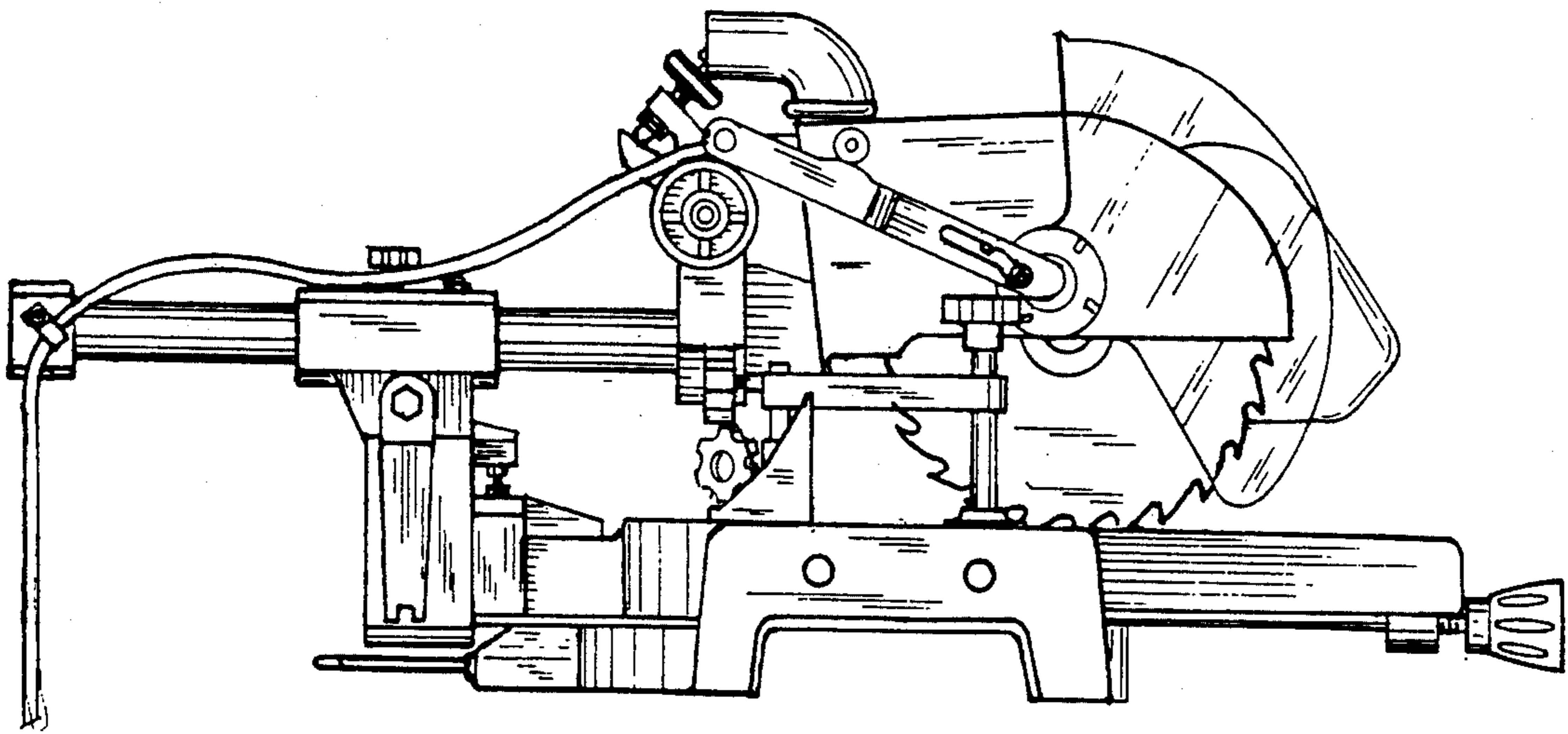


FIG. 5.

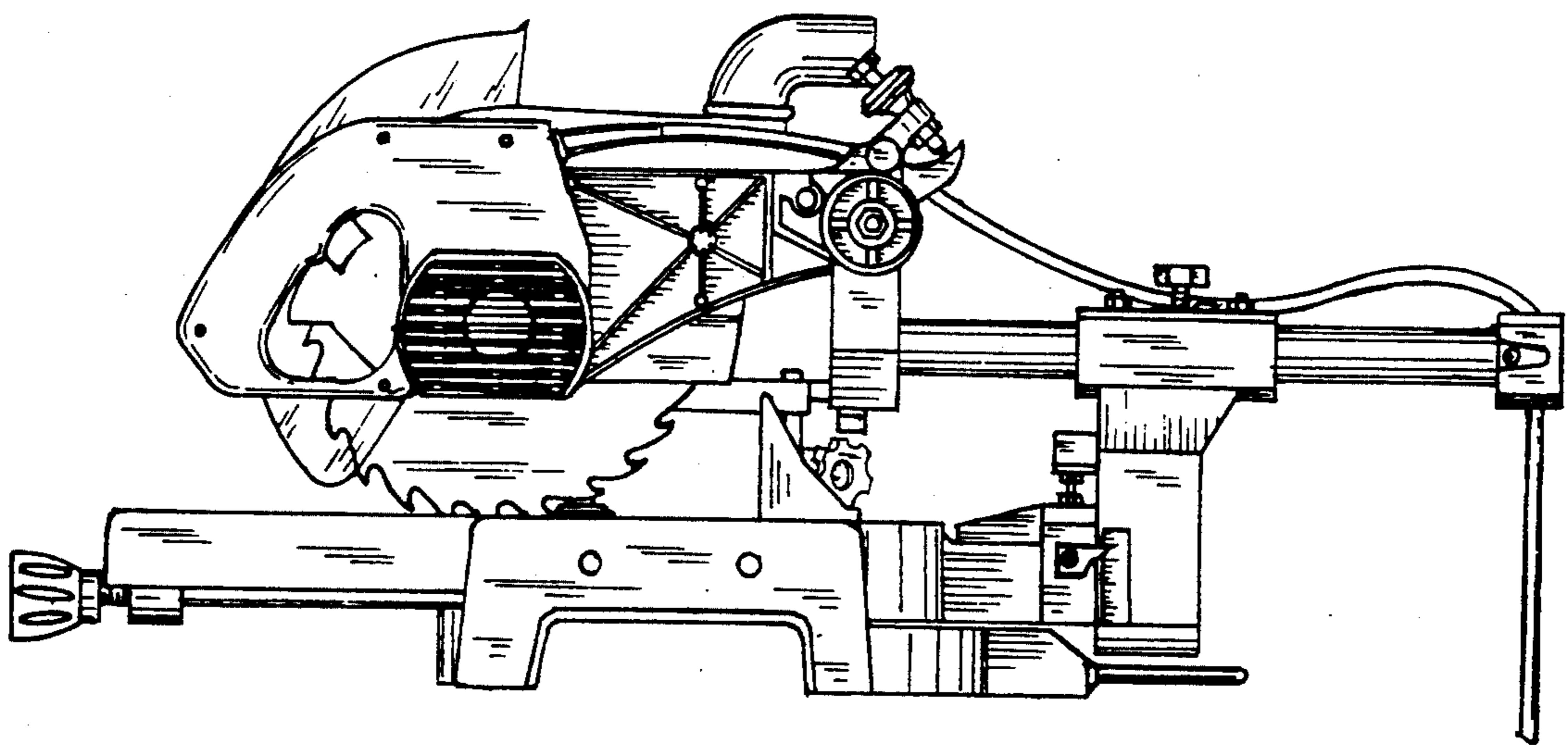


FIG. 6.

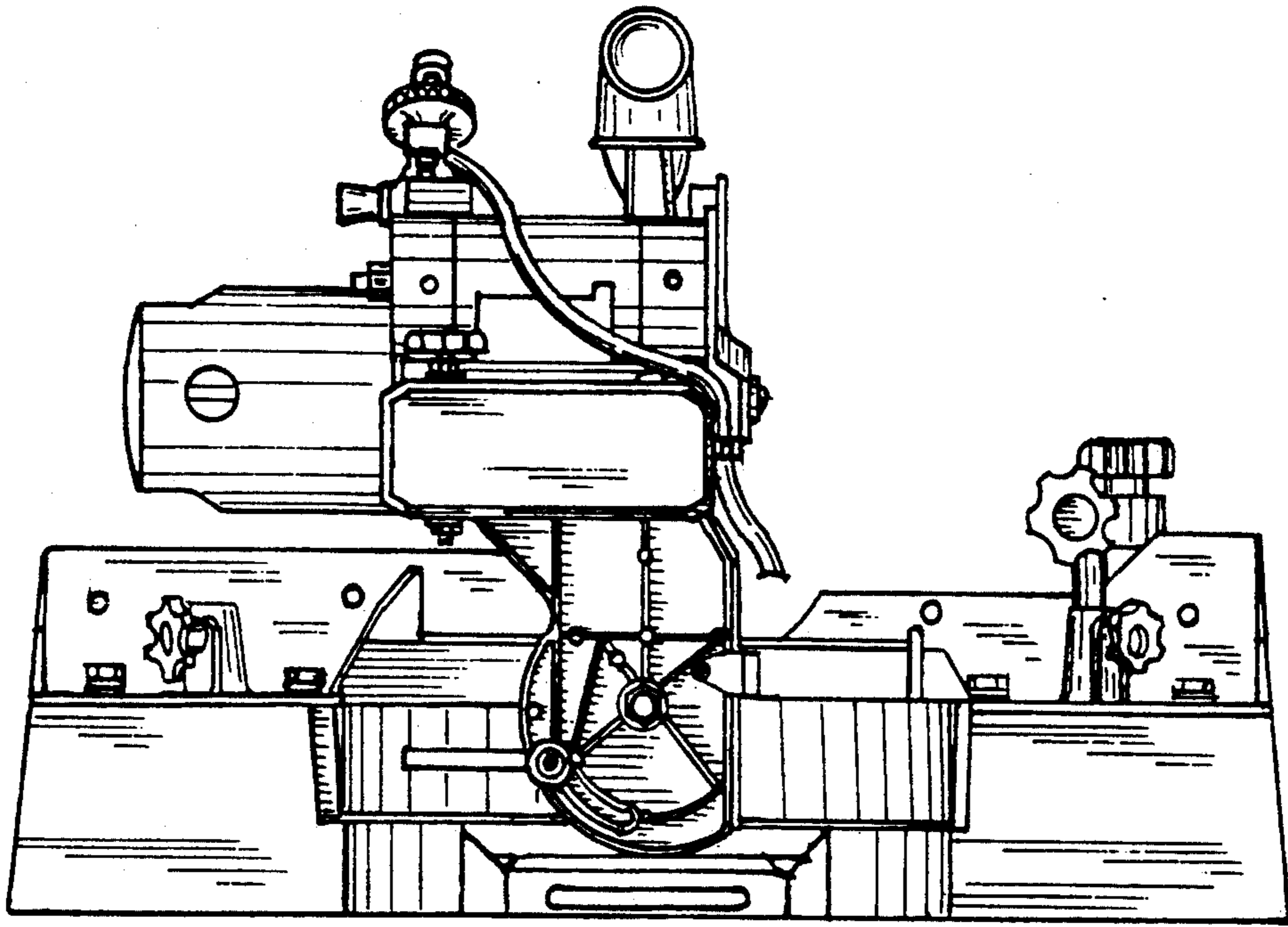


FIG. 7.

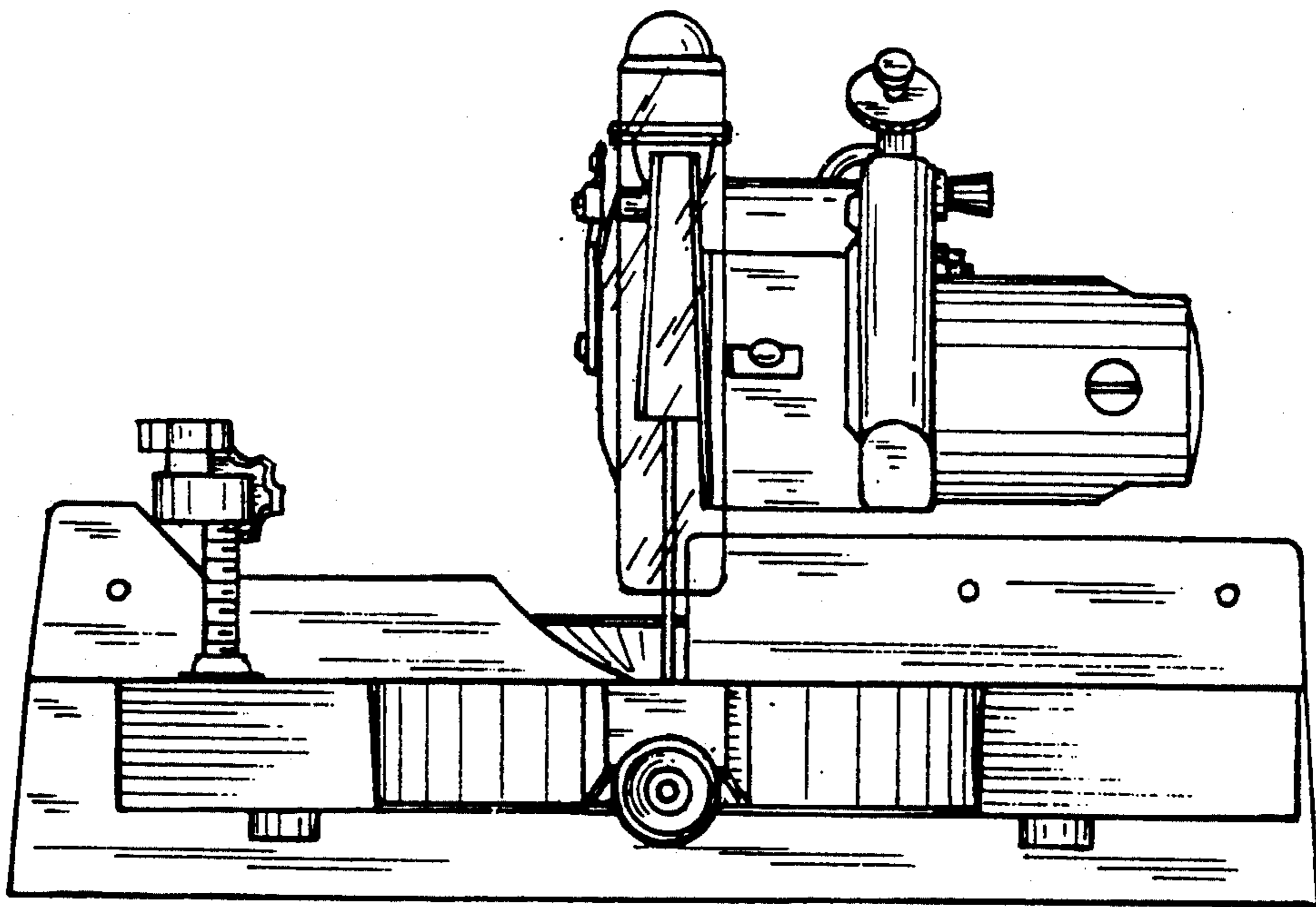


FIG. 8.