



US00D336651S

# United States Patent [19]

[11] Patent Number: **Des. 336,651**

Williams et al.

[45] Date of Patent: **\*\* Jun. 22, 1993**

[54] **CLOTH HOLDER HAVING UTILITY IN HEMMING GARMENTS**

D. 268,476	4/1983	Owen	.....	D10/71
D. 272,711	2/1984	Griset	.....	D10/71
4,155,148	5/1979	Richter	.....	26/94
4,497,270	2/1985	Boser	.....	112/114
5,035,191	7/1991	Vokoyama	.....	112/104
5,036,780	8/1991	Krowatachek	.....	112/311

[75] Inventors: **Barbara J. Williams**, Rte. 1, Box 1853, Huntington, Tex. 75949; **Roy L. Chandler**, Arlington, Tex.

[73] Assignee: **Barbara J. Williams**, Huntington, Tex.

*Primary Examiner*—Bernard Ansher  
*Assistant Examiner*—Sandra Morris  
*Attorney, Agent, or Firm*—Charles W. McHugh

[\*\*] Term: **14 Years**

### [57] CLAIM

[21] Appl. No.: **646,325**

The ornamental design for a cloth holder having utility in hemming garments, as shown.

[22] Filed: **Jan. 28, 1991**

[52] U.S. Cl. .... **D15/78; D10/71**

[58] Field of Search ..... **D15/66-78; D10/71; 112/104, 114, 141, 162, 304, 311; 26/94**

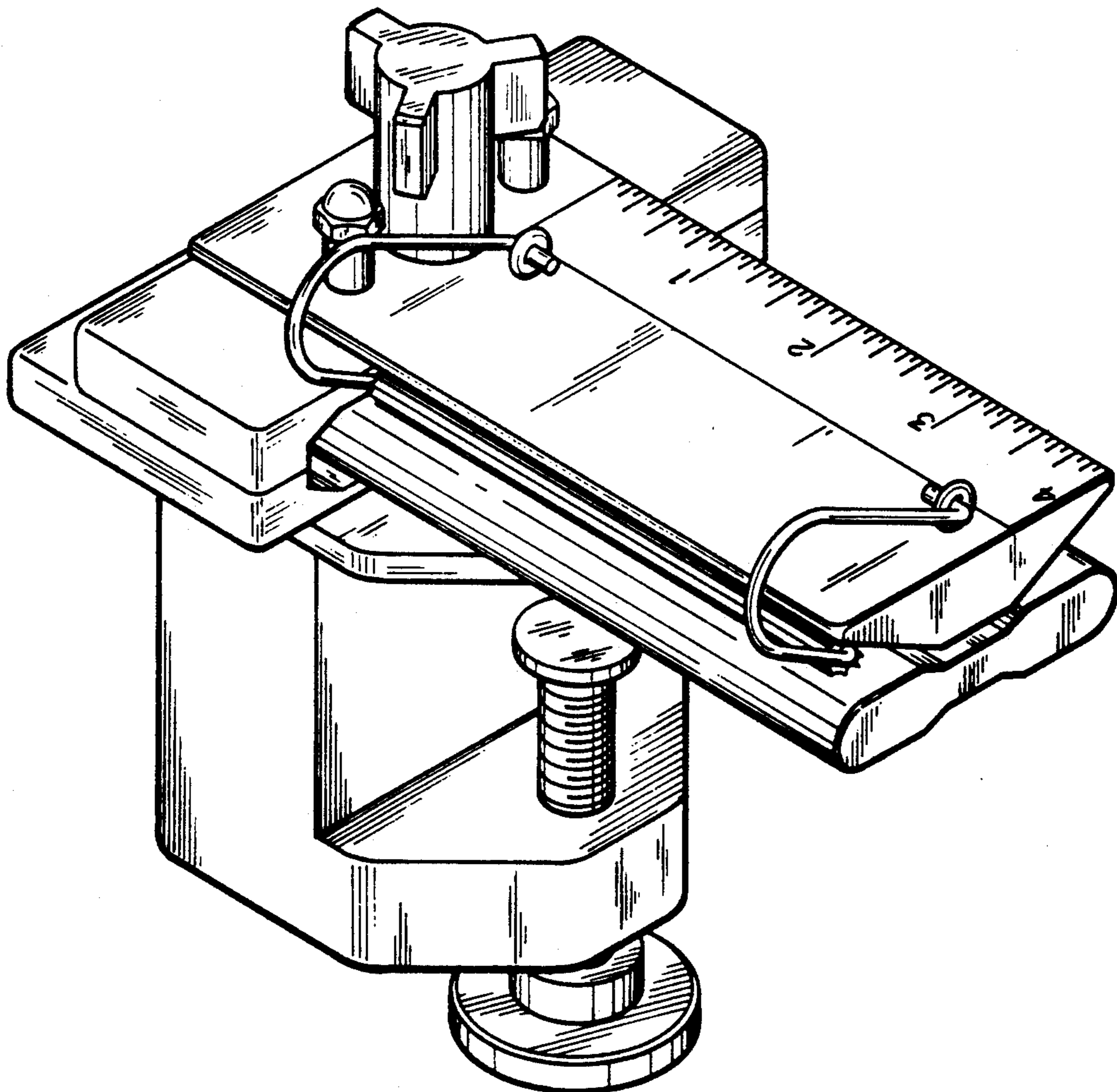
### DESCRIPTION

FIG. 1 is a perspective view of a cloth holder having utility in hemming garments showing our new design; FIG. 2 is a front elevational view thereof; FIG. 3 is a left side elevational view thereof; FIG. 4 is a right side elevational view thereof; FIG. 5 is a rear elevational view thereof; FIG. 6 is a top plan view thereof; and, FIG. 7 is a bottom plan view thereof.

### [56] References Cited

#### U.S. PATENT DOCUMENTS

D. 201,570	7/1965	Polkosnik	.....	D10/71
D. 239,513	4/1976	DeLuca	.....	D10/71



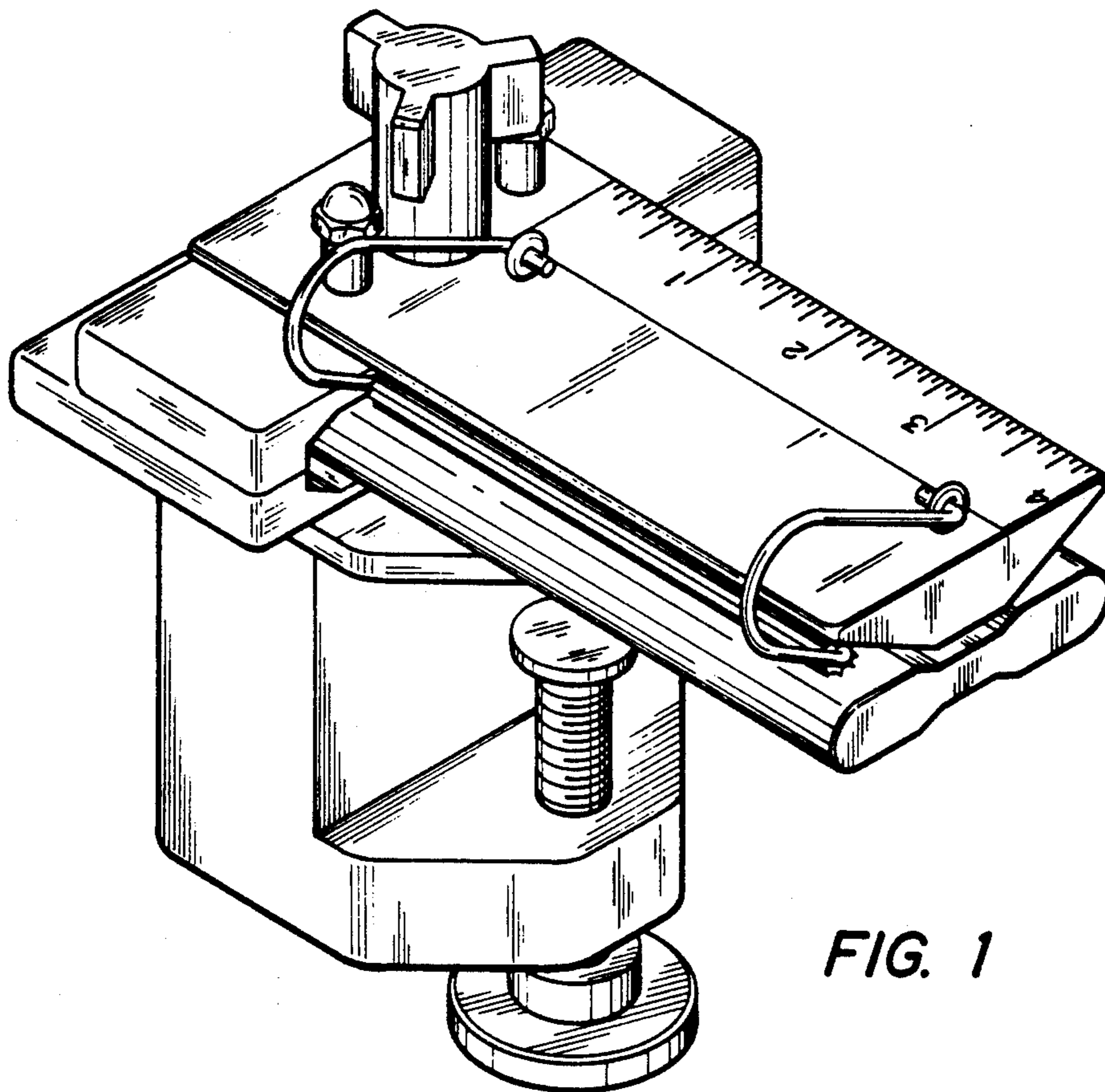


FIG. 1

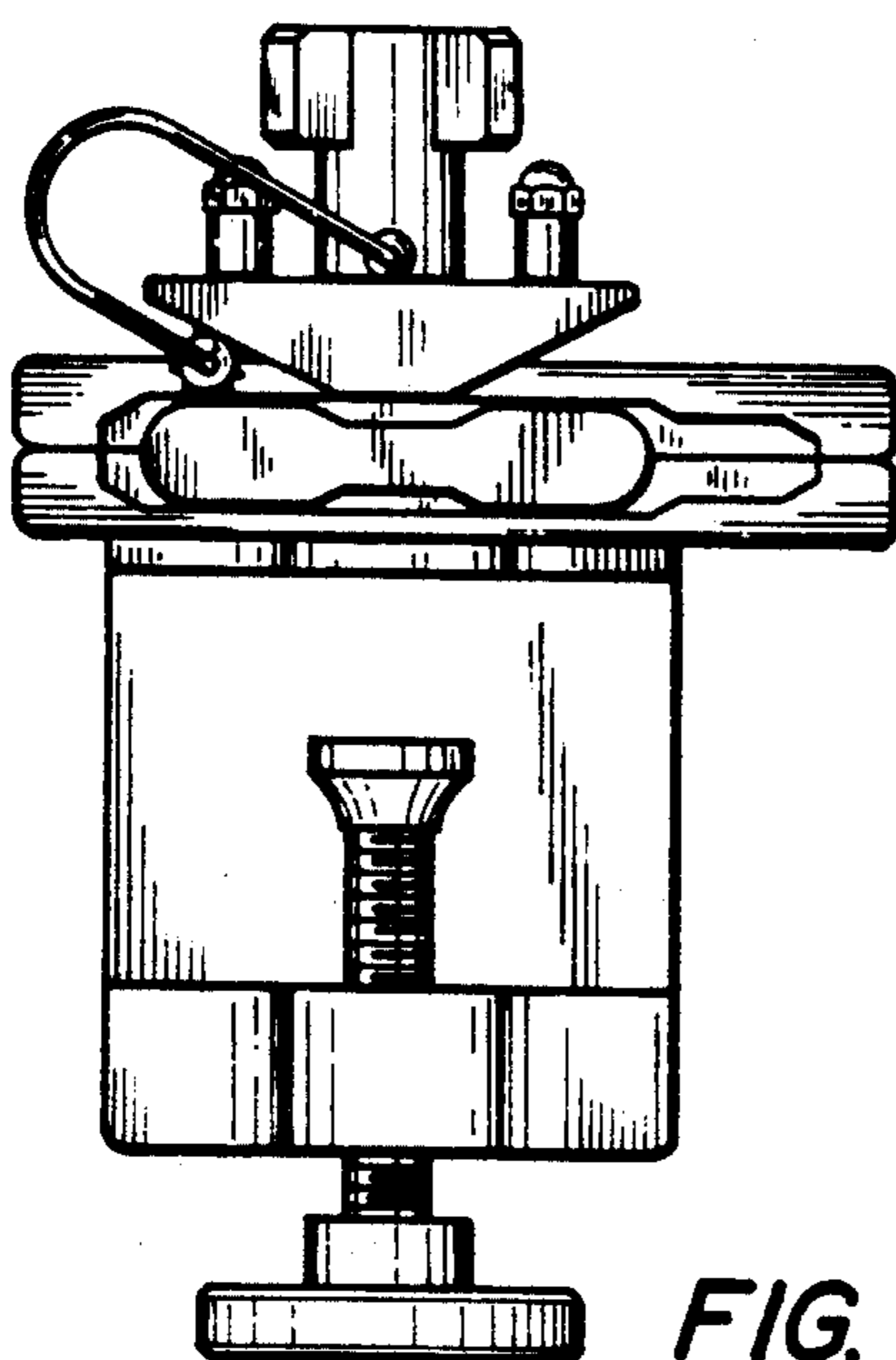


FIG. 2

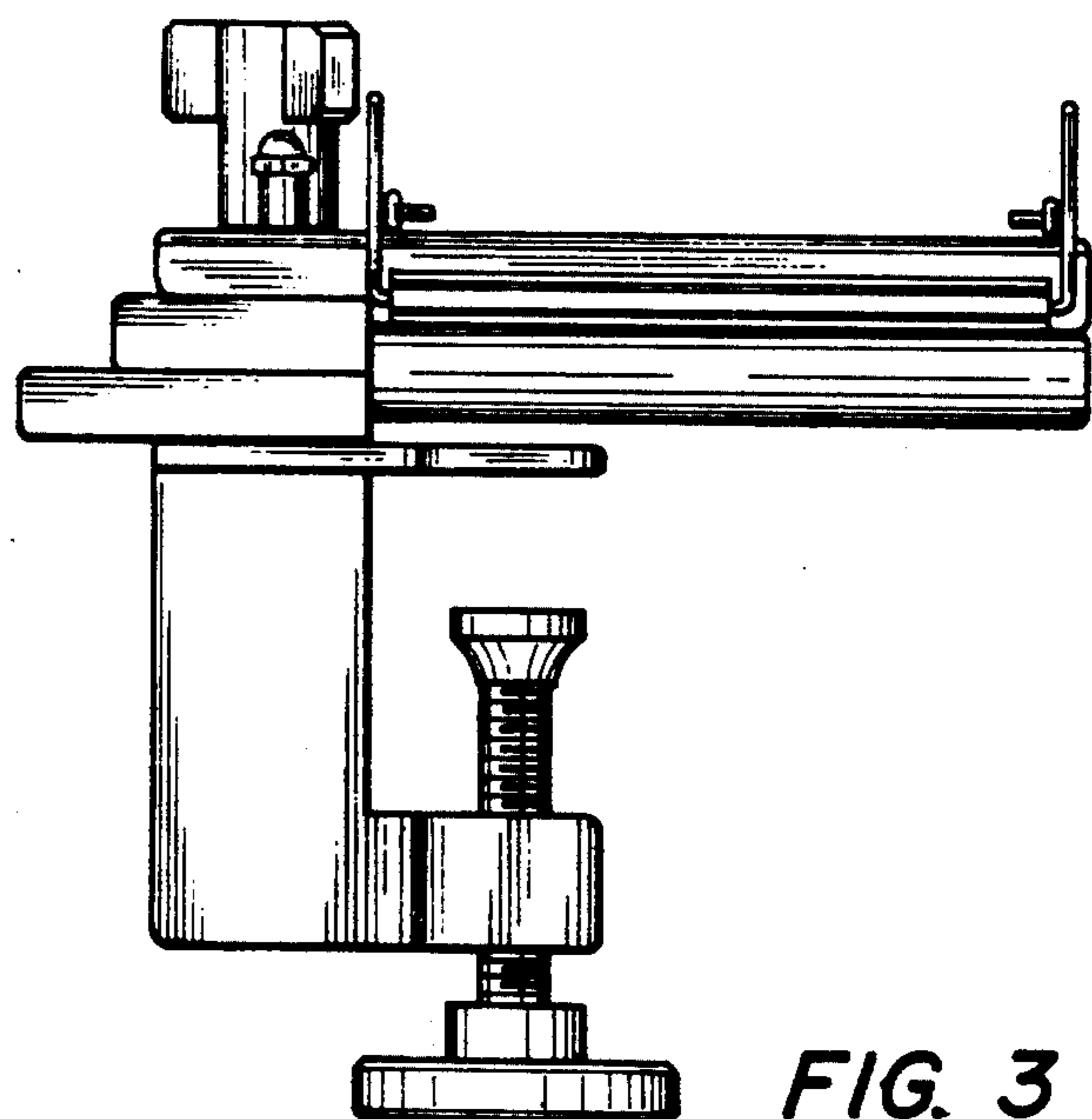


FIG. 3

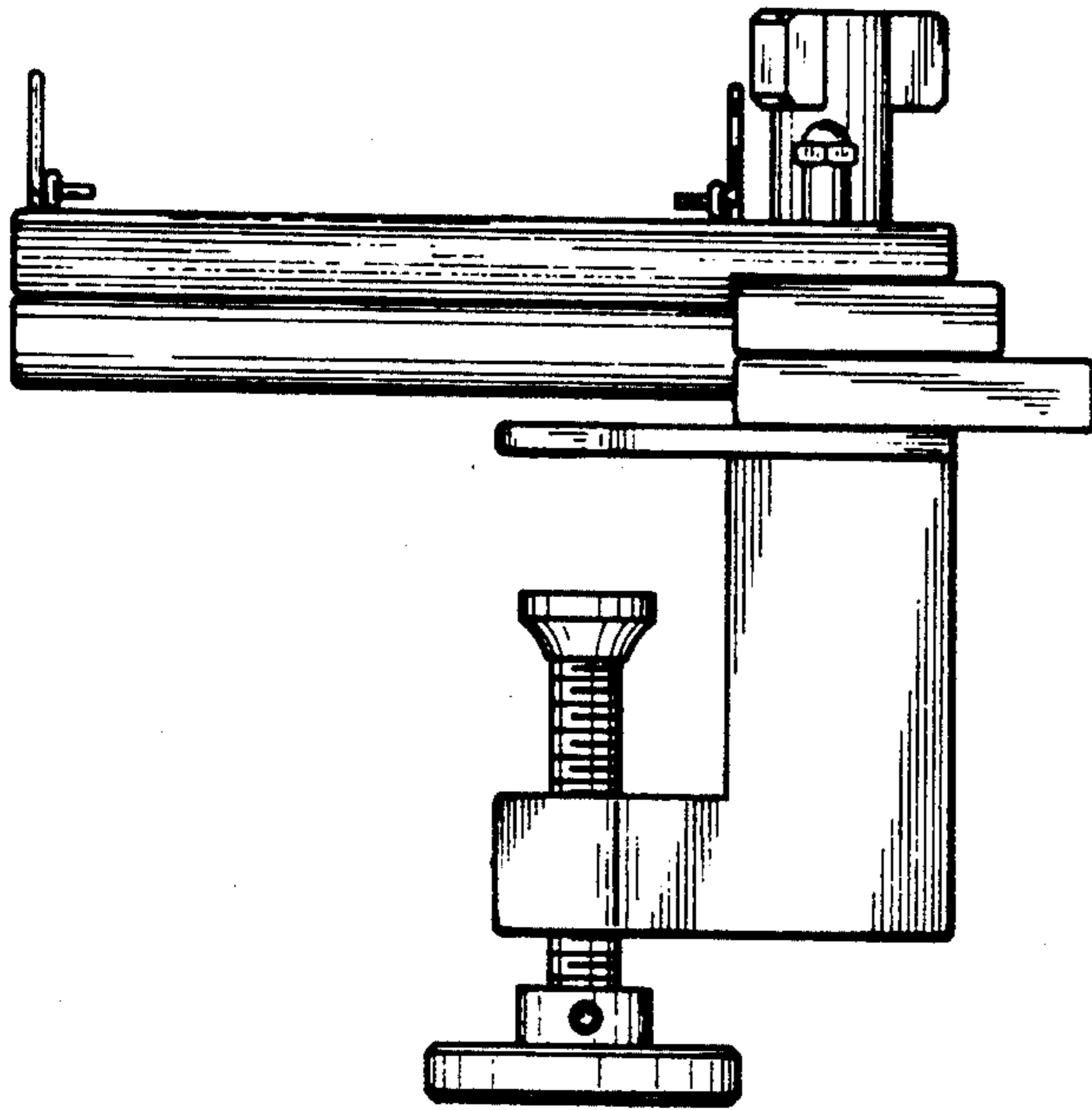


FIG. 4

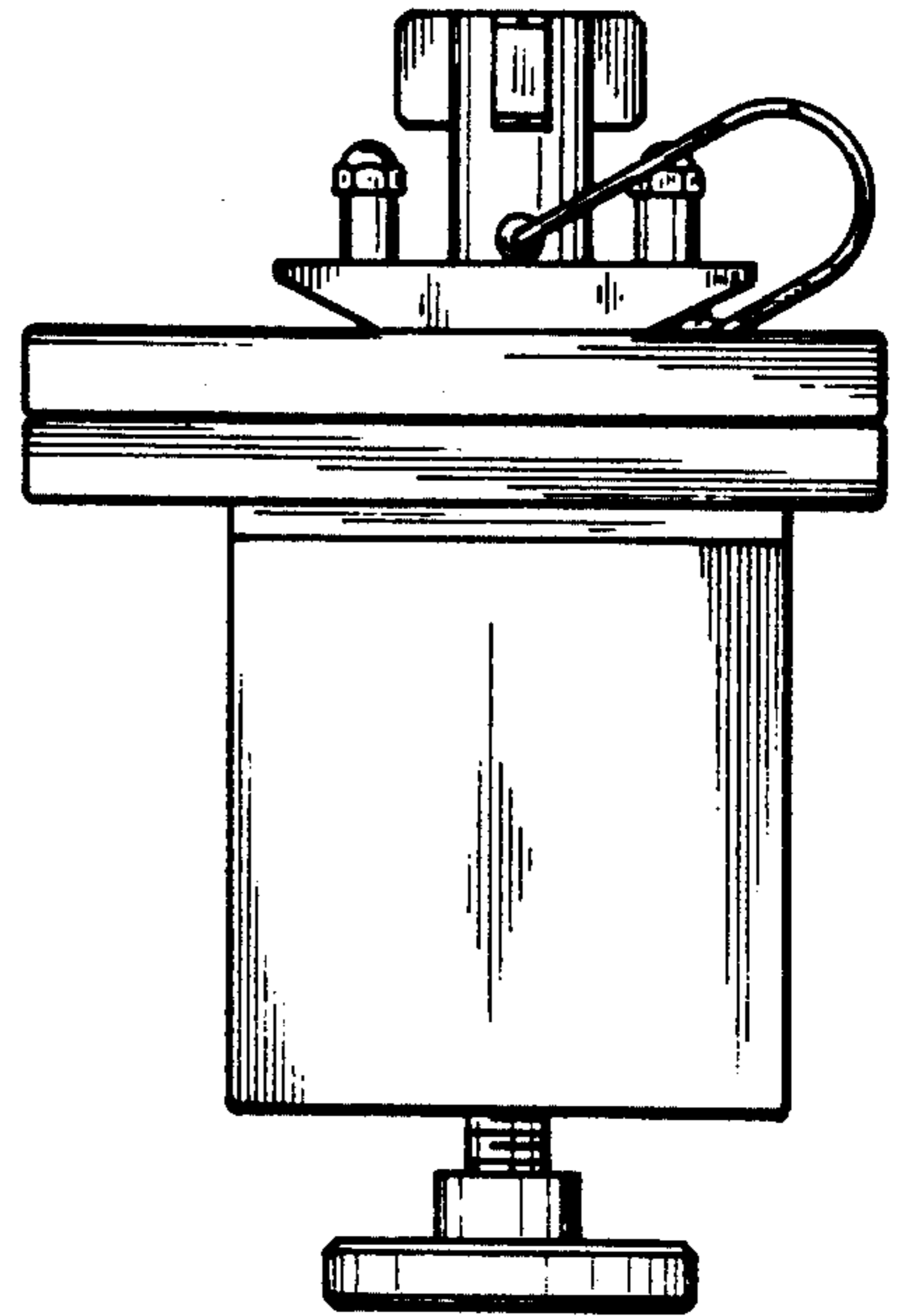


FIG. 5

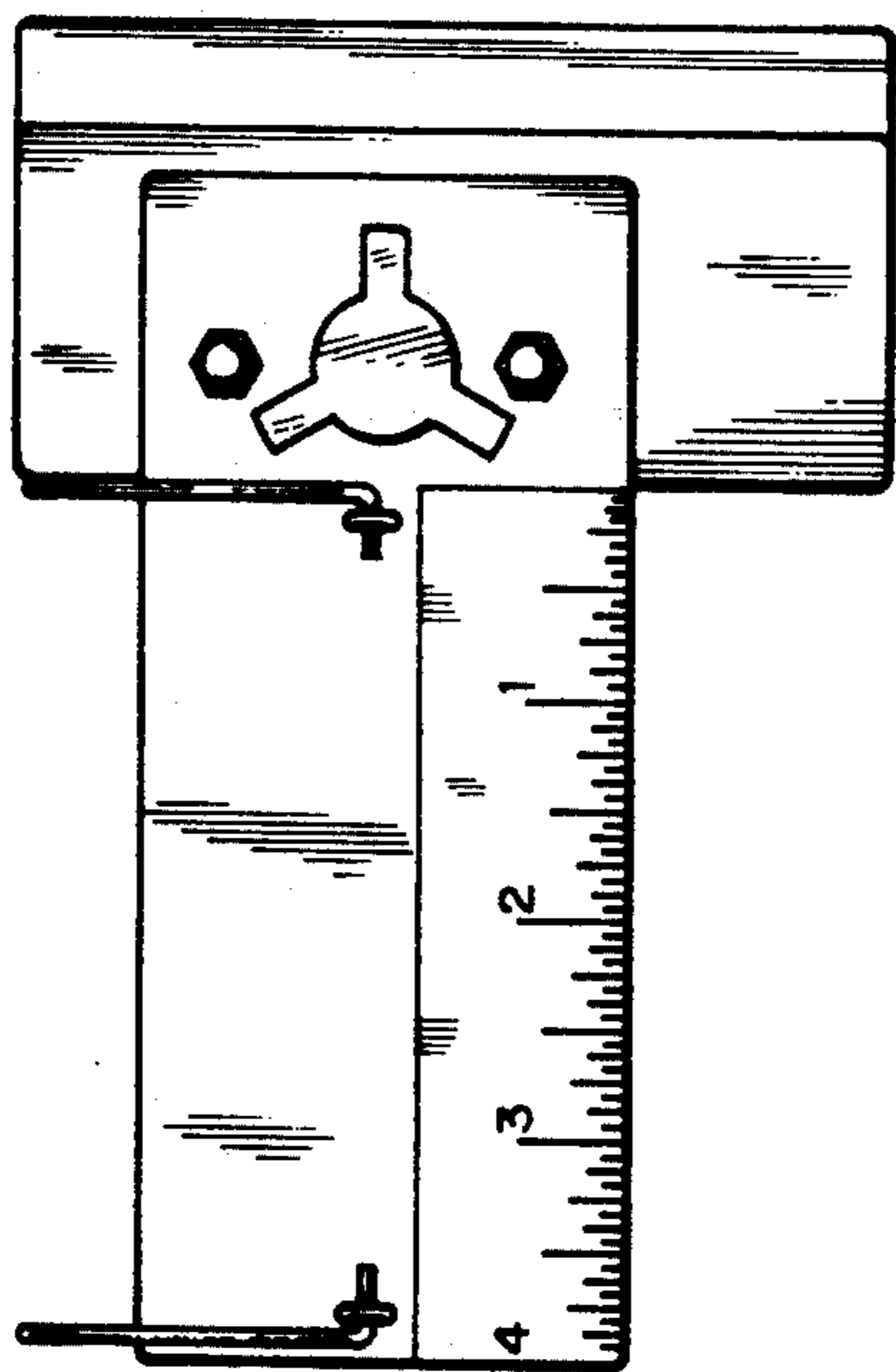


FIG. 6

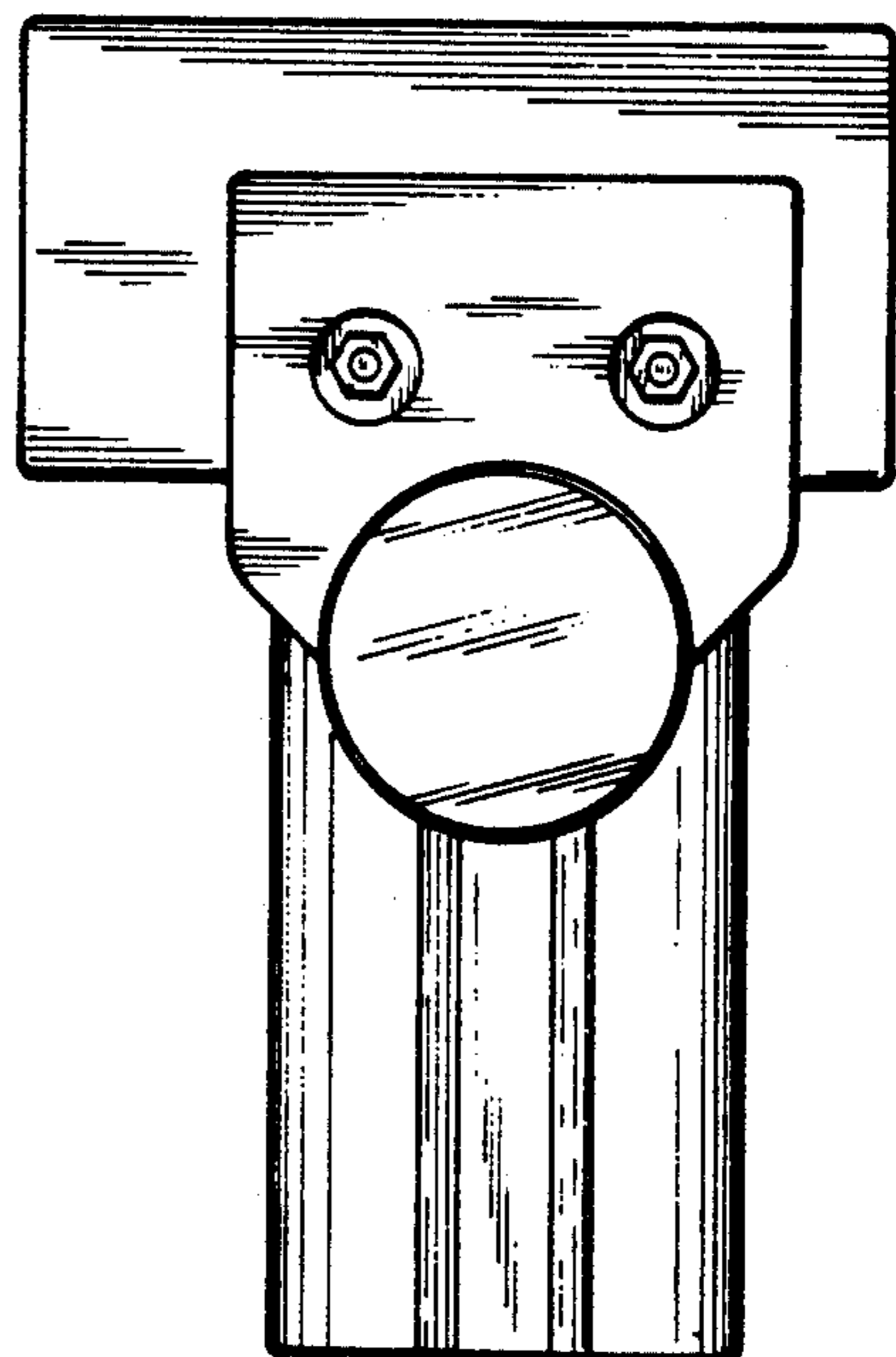


FIG. 7