



US00D336642S

United States Patent [19]
Tanaka et al.

[11] **Patent Number: Des. 336,642**
[45] **Date of Patent: ** Jun. 22, 1993**

- [54] **MAGNETIC TAPE CASSETTE**
- [75] **Inventors: Masato Tanaka; Kiyotaka Yanaka,**
both of Tokyo, Japan
- [73] **Assignee: Sony Corporation, Tokyo, Japan**
- [**] **Term: 14 Years**
- [21] **Appl. No.: 754,711**
- [22] **Filed: Sep. 4, 1991**
- [52] **U.S. Cl. D14/121**
- [58] **Field of Search D14/114, 120-122,**
D14/299; 242/55, 19 A, 197-200; 273/DIG.
28, 85 G

Primary Examiner—Theodore M. Shooman
Attorney, Agent, or Firm—Lewis H. Eslinger; Jay H. Maioli

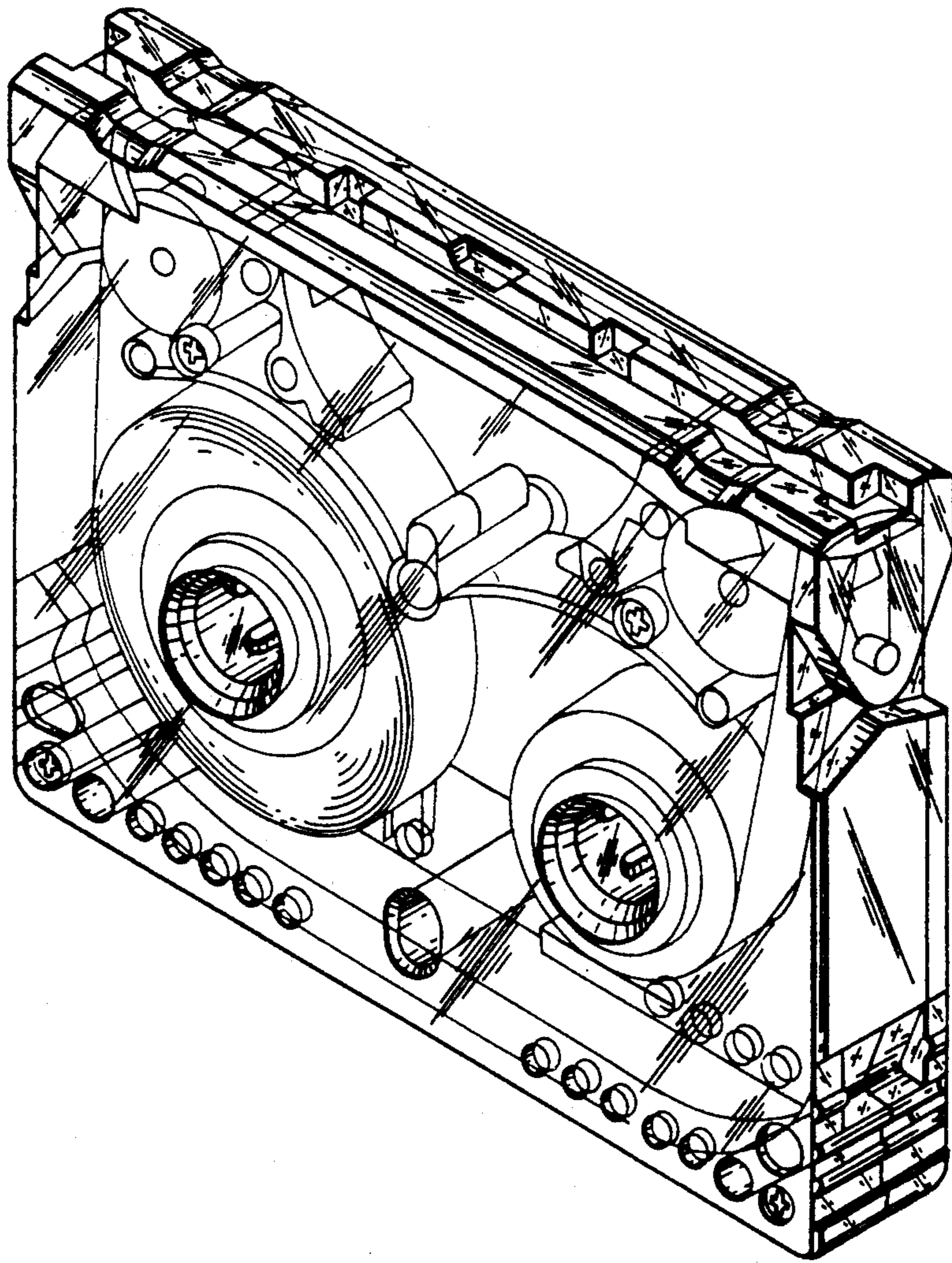
[57] **CLAIM**

The ornamental design for a magnetic tape cassette, as shown and described.

DESCRIPTION

FIG. 1 is a front view showing our new design;
 FIG. 2 is a right-side view thereof;
 FIG. 3 is a back view thereof;
 FIG. 4 is a left-side view thereof;
 FIG. 5 is a top plan view thereof;
 FIG. 6 is a cross sectional view thereof, taken along line 2—2 of FIG. 1;
 FIG. 7 is a cross sectional view thereof, taken along line 1—1 of FIG. 1;
 FIG. 8 is a bottom plan view thereof;
 FIG. 9 is a reference perspective view with cassette holder in open position; and,
 FIG. 10 is a perspective view thereof.

- [56] **References Cited**
- U.S. PATENT DOCUMENTS**
- D. 245,908 9/1977 Kishi D14/121
- D. 293,100 12/1987 Rutkowski et al. D14/121
- D. 328,092 7/1992 Inoue et al. D14/121 X
- D. 330,372 10/1992 Yanaka et al. D14/121
- 4,618,903 10/1986 Oishi et al. D14/121 X



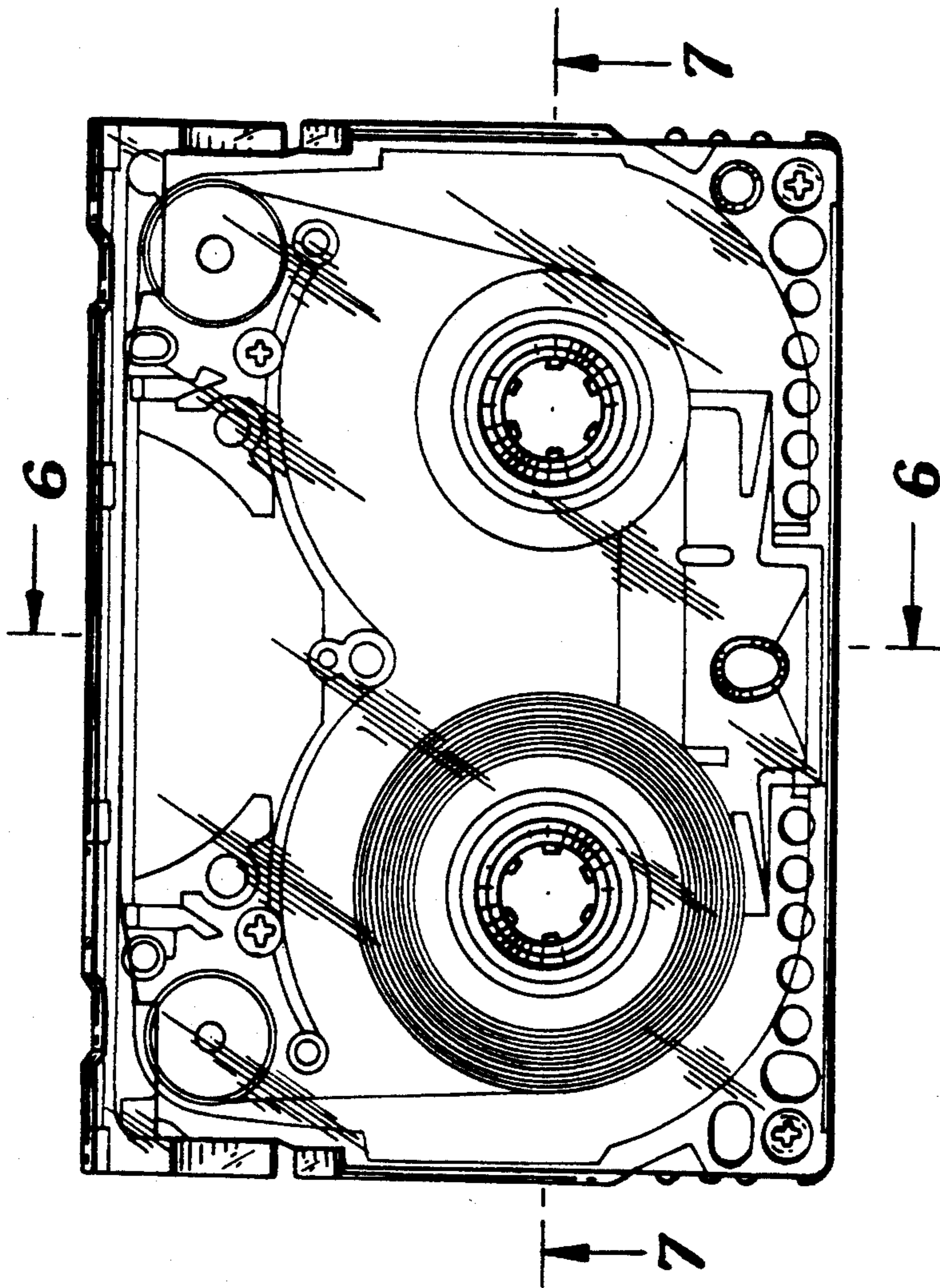


FIG. 1

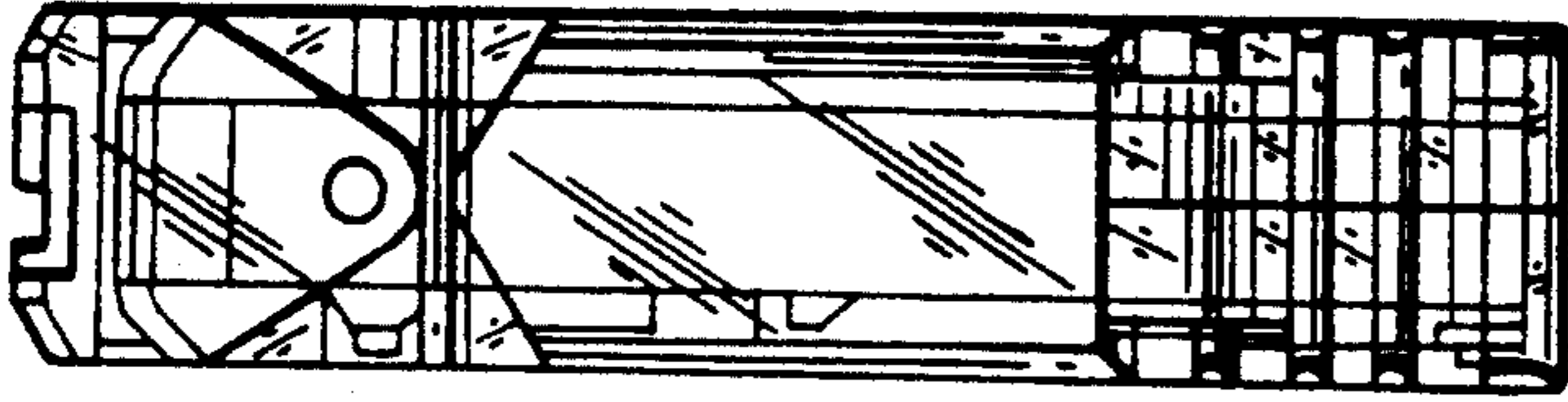


FIG. 2

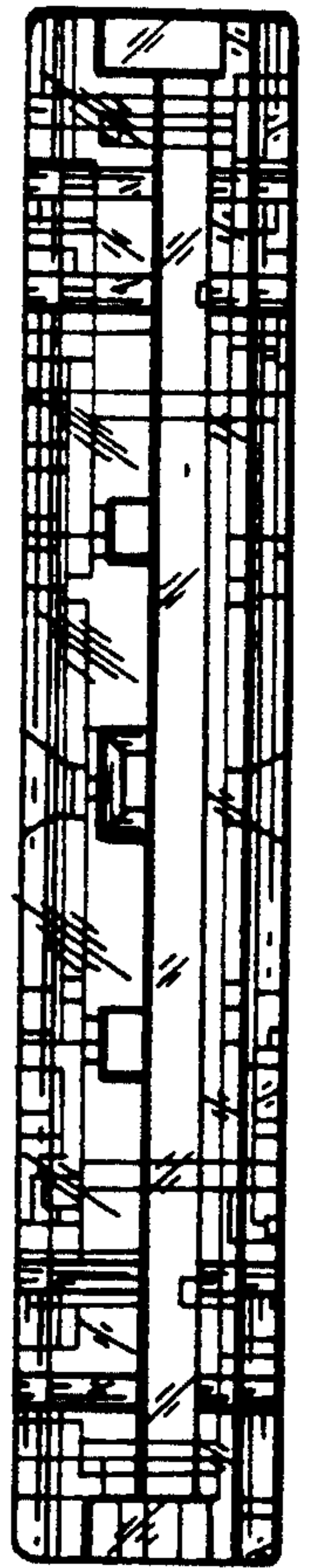


FIG. 5

FIG. 4

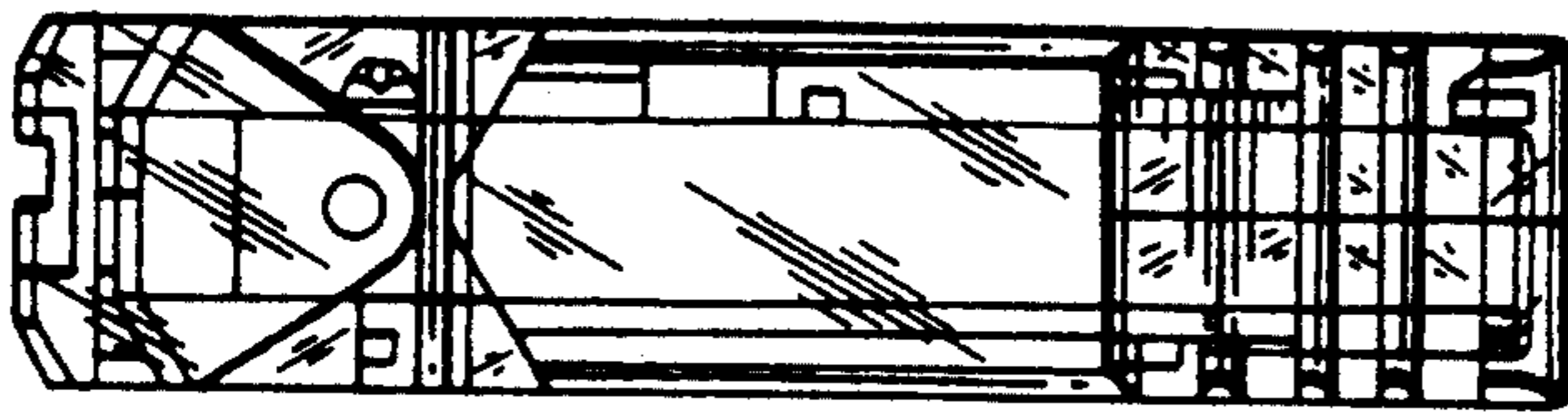


FIG. 3

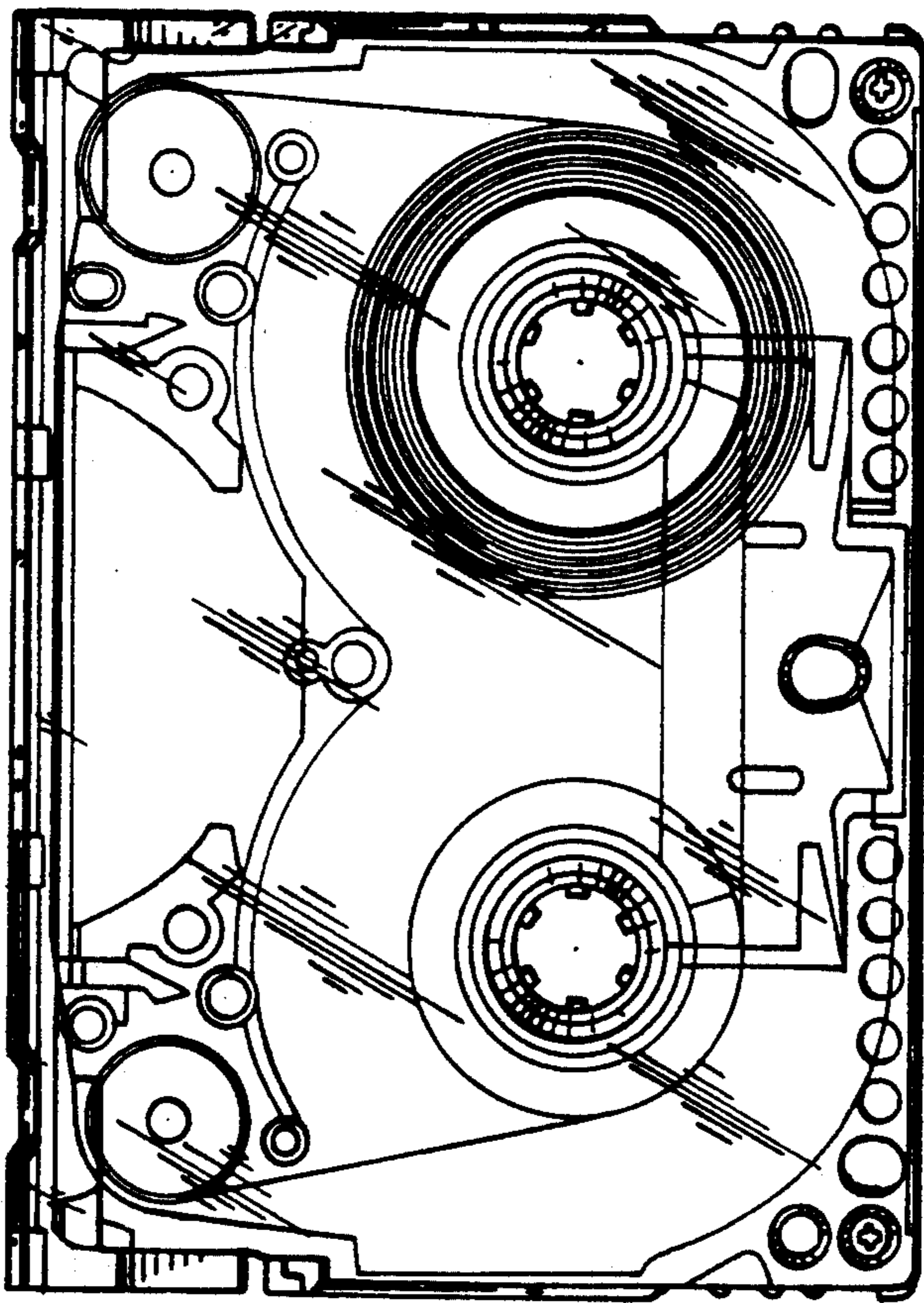


FIG. 8

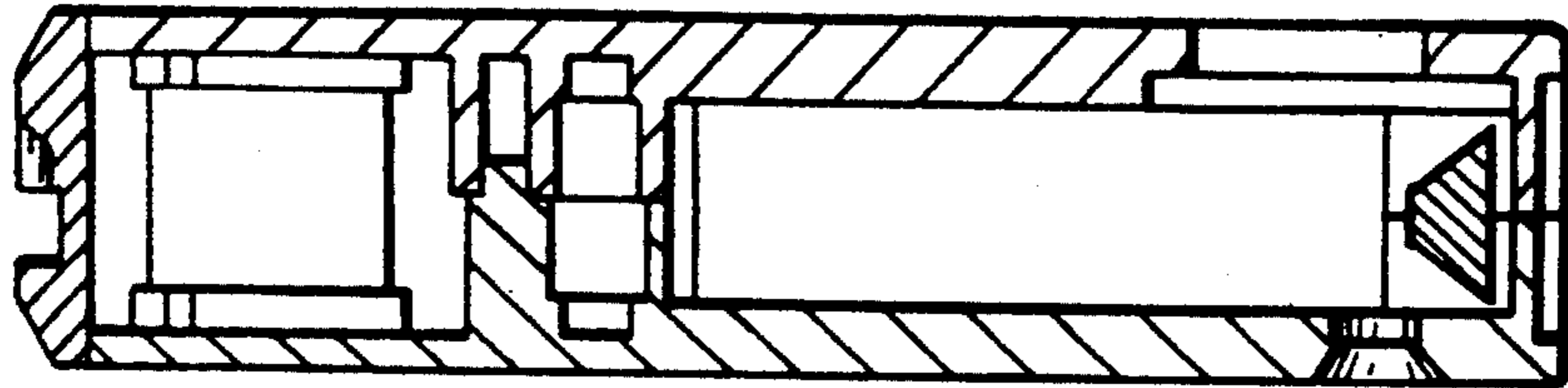
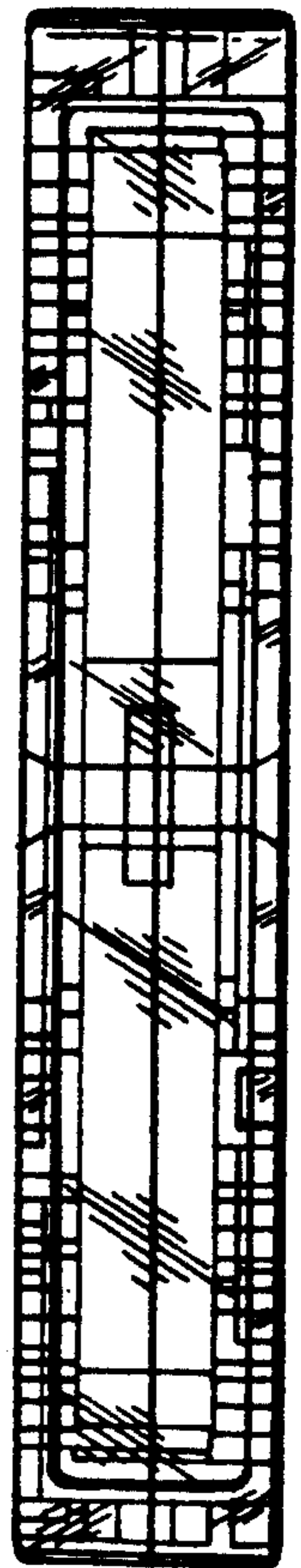


FIG. 6

FIG. 7

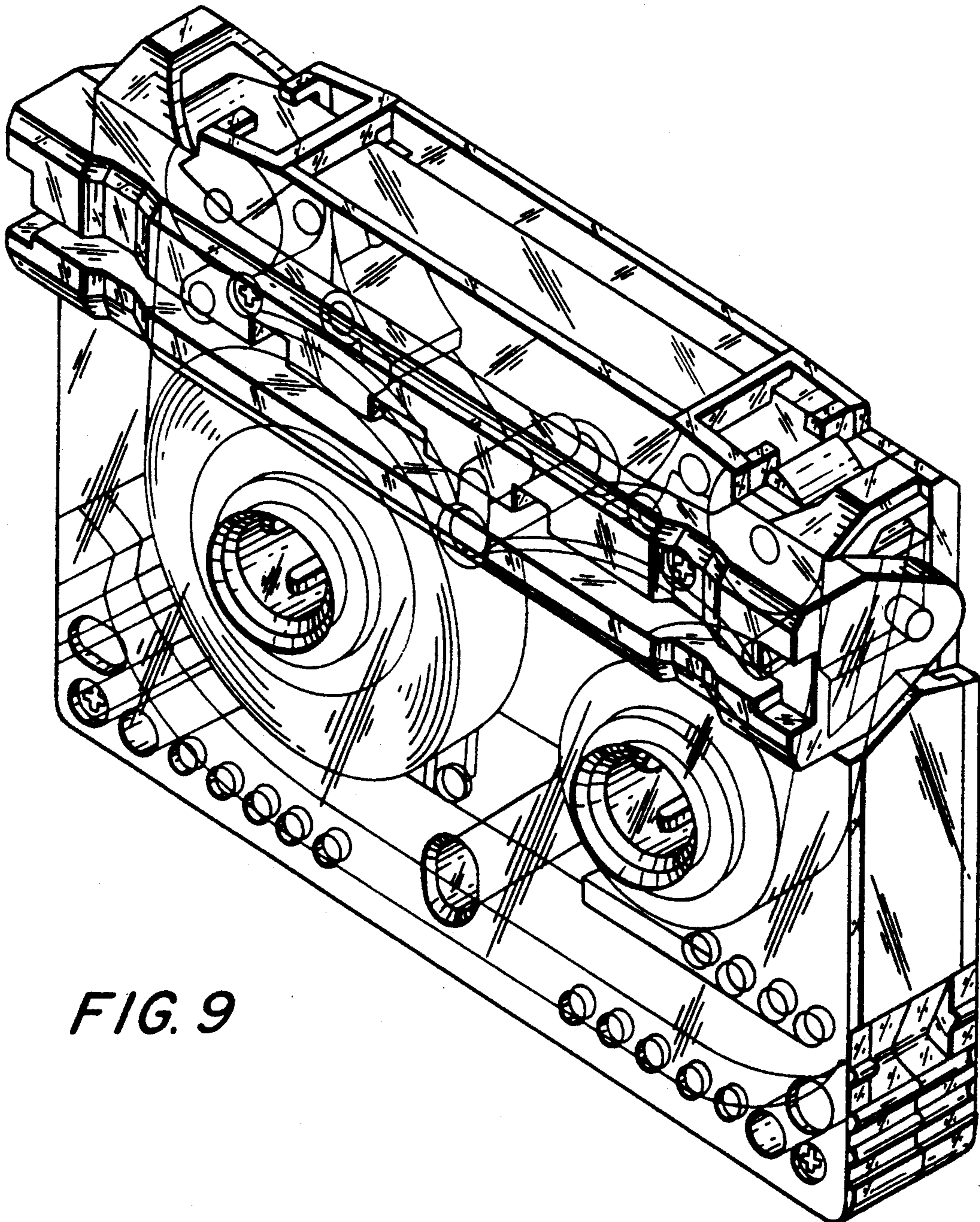
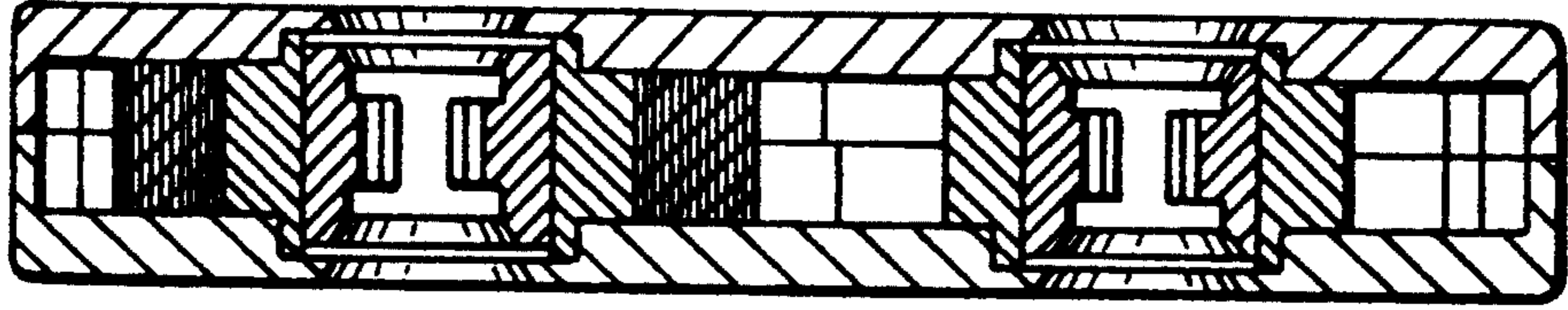


FIG. 9

FIG. 10

