



US00D336639S

United States Patent [19]

Ishizawa

[11] Patent Number: **Des. 336,639**

[45] Date of Patent: **** Jun. 22, 1993**

[54] **FLOPPY DISK DRIVE**

[75] Inventor: **Shoichi Ishizawa, Nagano, Japan**

[73] Assignee: **Seiko Epson Corporation, Tokyo, Japan**

[**] Term: **14 Years**

[21] Appl. No.: **722,631**

[22] Filed: **Jun. 27, 1991**

[30] **Foreign Application Priority Data**

Dec. 27, 1990 [JP] Japan 2-43358

[52] U.S. Cl. **D14/109**

[58] Field of Search D14/100, 102, 108, 109;
D13/162, 184, 199; D6/422-428; 360/99.12;
361/331, 332, 390-395

[56] **References Cited**

U.S. PATENT DOCUMENTS

D. 290,257 6/1987 Manock et al. D14/109

D. 303,253 9/1989 Acciaioli D14/109
D. 308,966 7/1990 Alfonso et al. D14/109
D. 309,604 7/1990 Osaka et al. D14/109
D. 311,175 10/1990 Lin D14/109

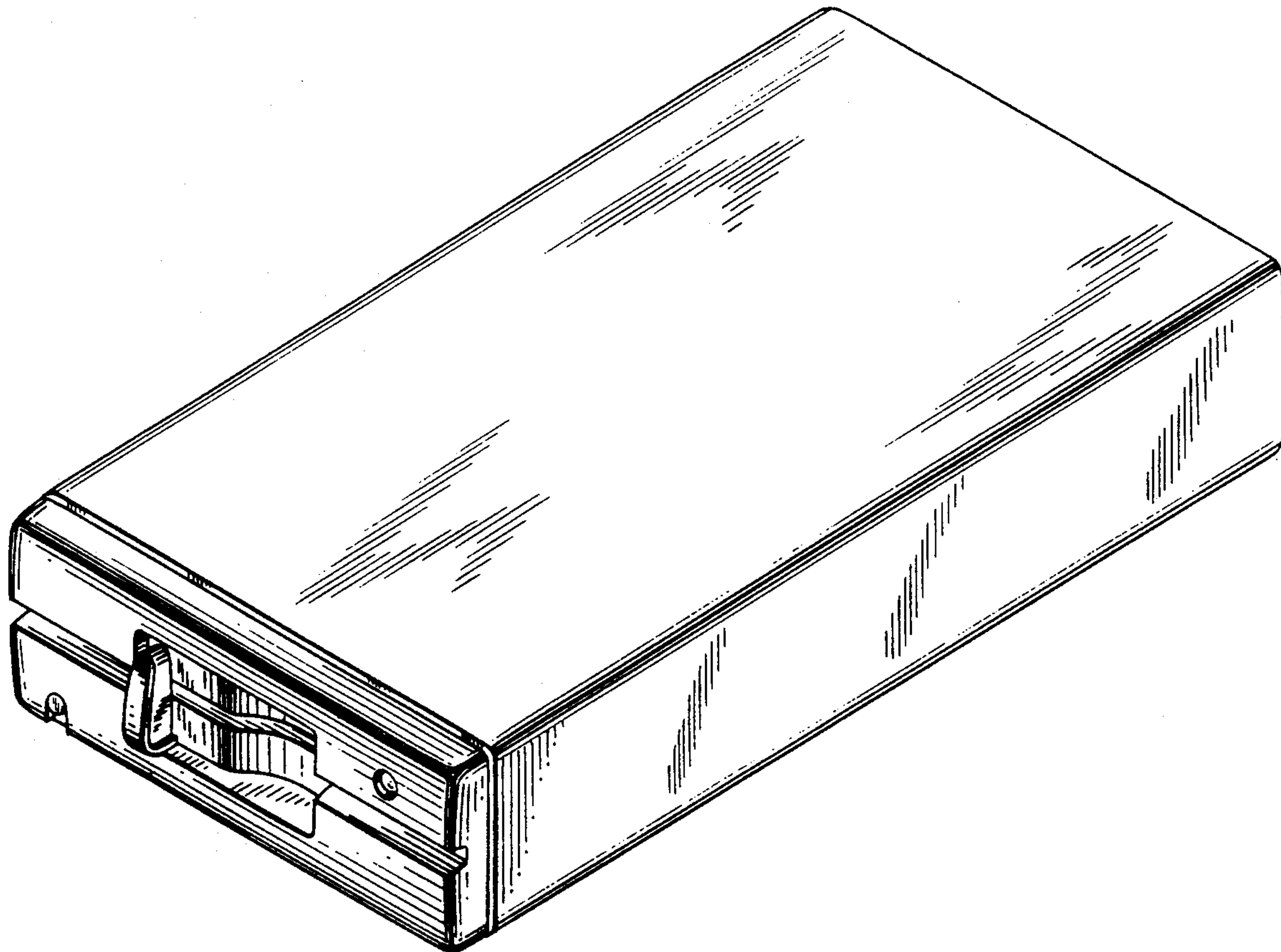
Primary Examiner—Wallace R. Burke
Assistant Examiner—Freda S. Nunn
Attorney, Agent, or Firm—Blum Kaplan

[57] **CLAIM**

The ornamental design for a floppy disk drive, as shown and described.

DESCRIPTION

FIG. 1 is an enlarged perspective view of a floppy disk drive showing my new design;
FIG. 2 is a top plan view thereof;
FIG. 3 is a front elevational view thereof;
FIG. 4 is a right side view thereof;
FIG. 5 is a left side view thereof;
FIG. 6 is a rear elevational view thereof; and,
FIG. 7 is a bottom plan view thereof.



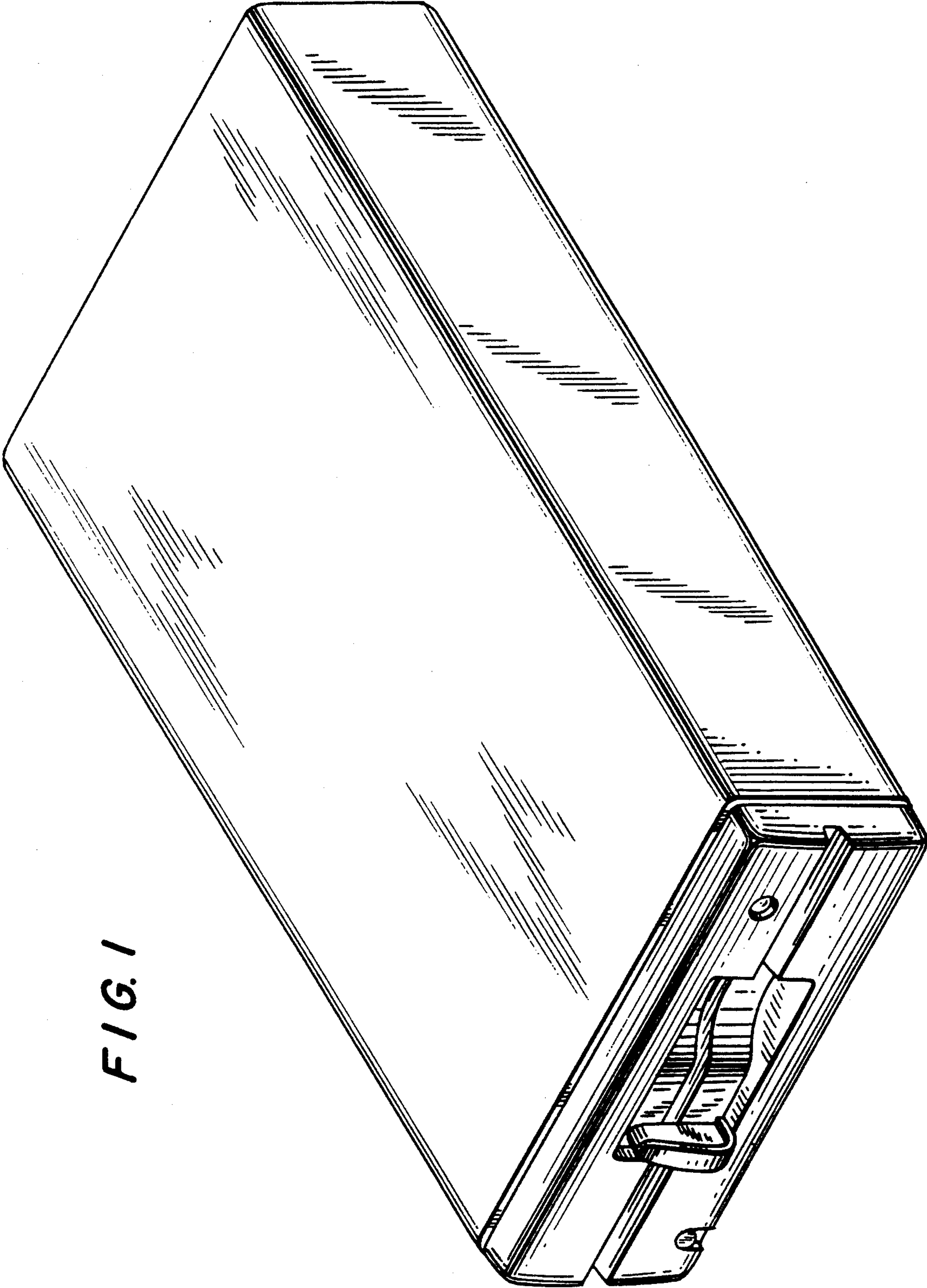


FIG. 1

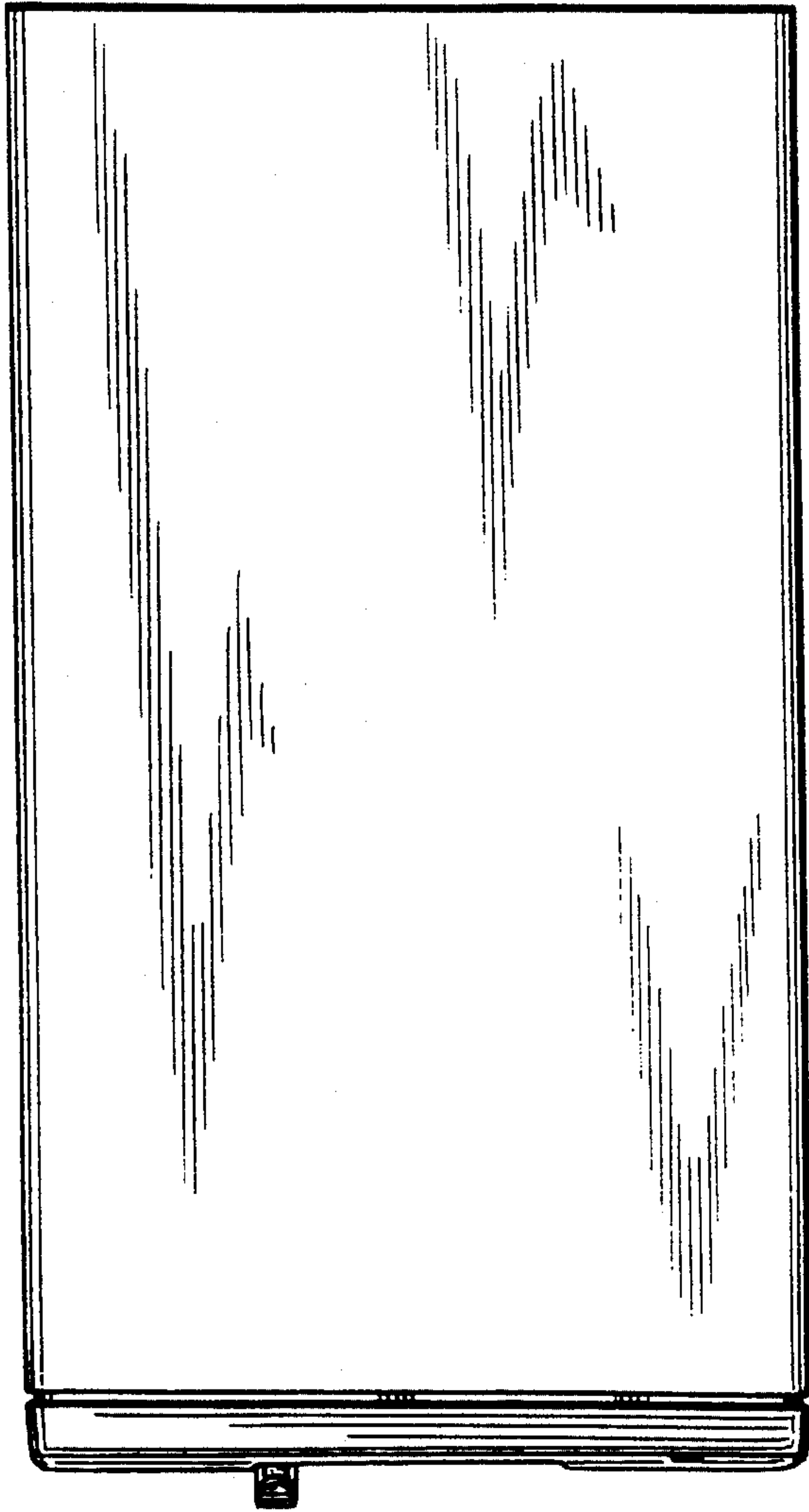


FIG. 2

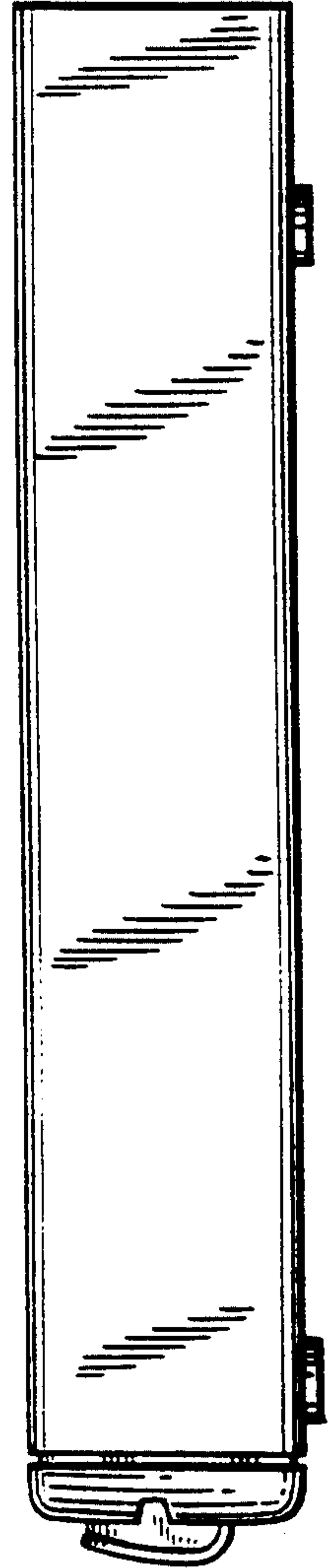


FIG. 4

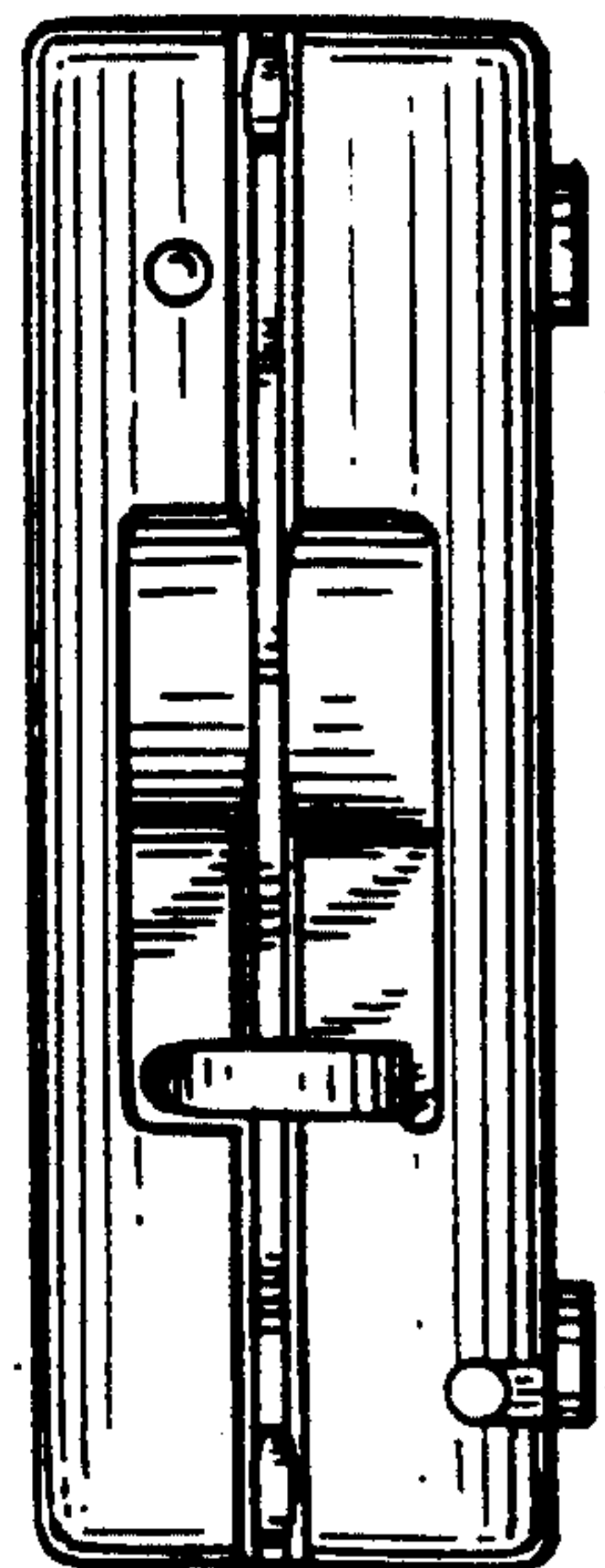


FIG. 3

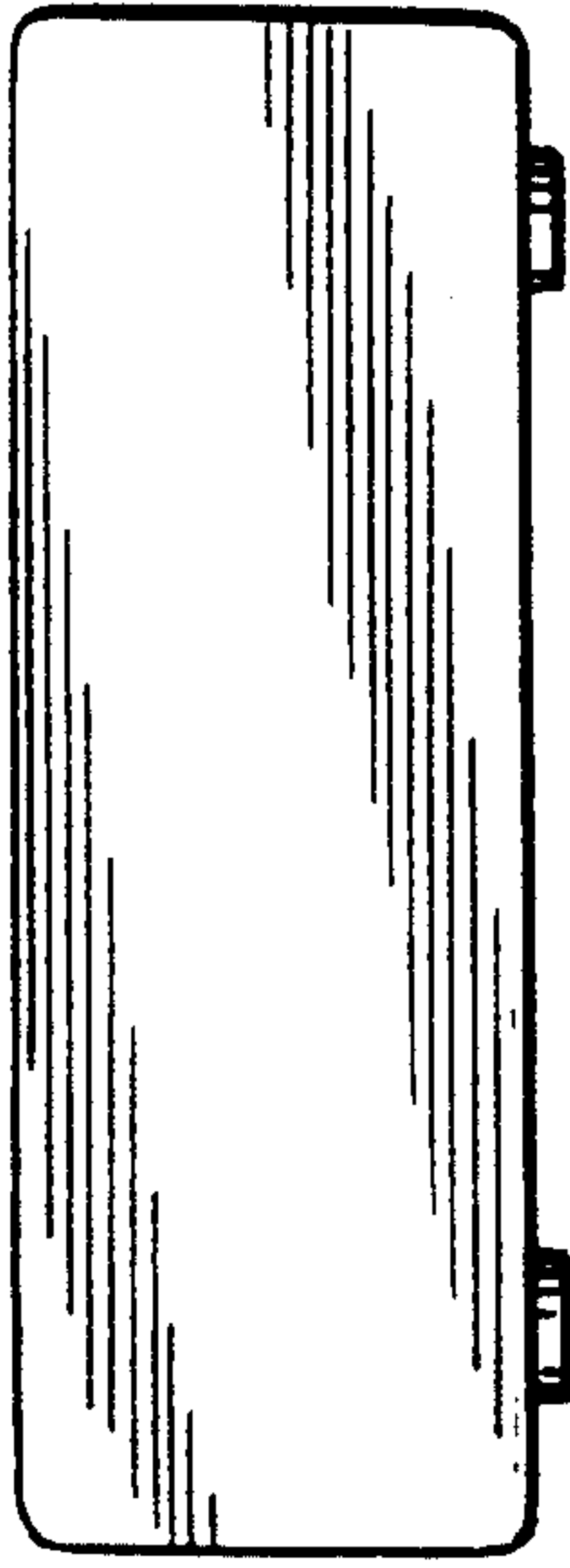


FIG. 6

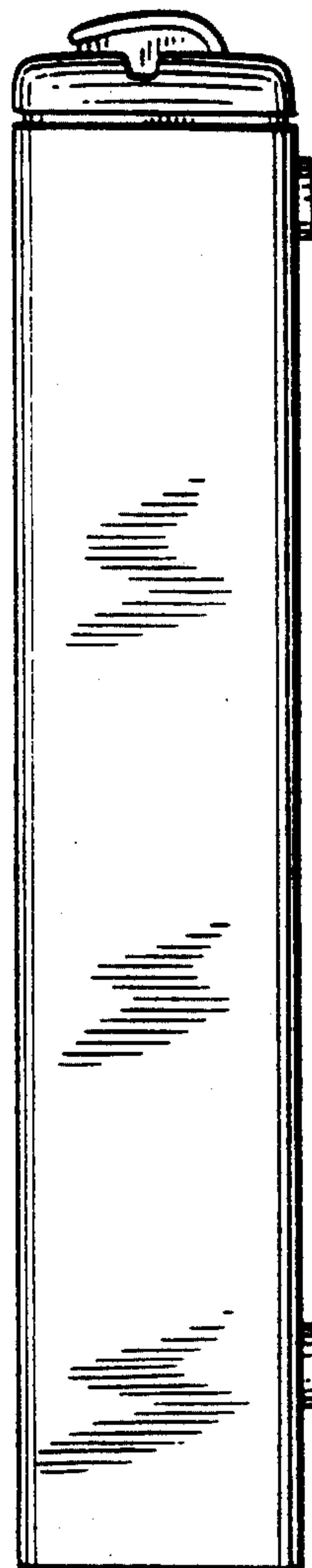


FIG. 5

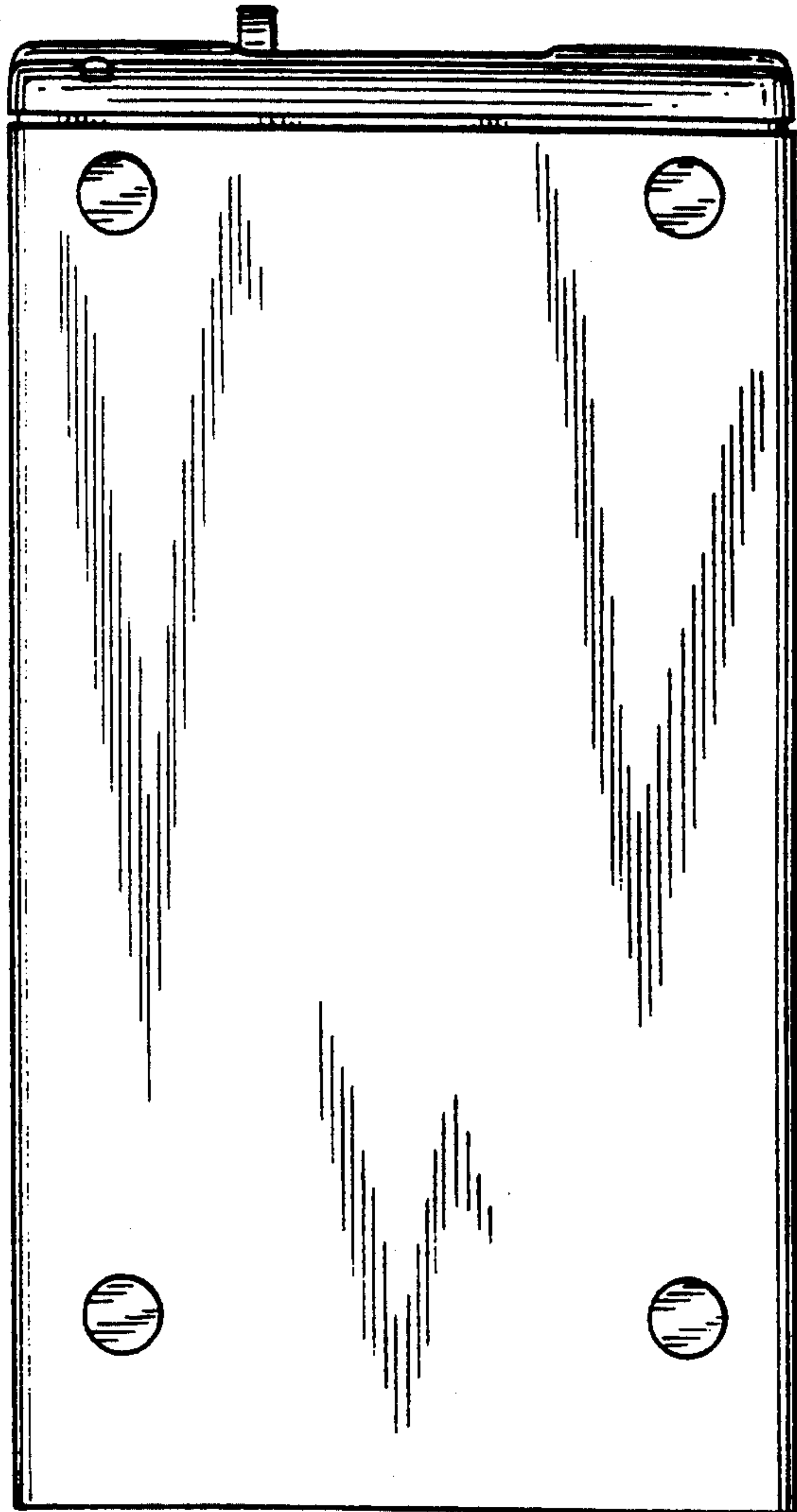


FIG. 7