



US00D336638S

United States Patent [19]
Shibuya et al.

[11] **Patent Number: Des. 336,638**
[45] **Date of Patent: ** Jun. 22, 1993**

[54] **PORTABLE COMPUTER**

[75] **Inventors: Shinji Shibuya, Sagamihara; Shunji Fujimori, Kodaira; Nobuo Fukuda, Machida; Michiaki Kotsuka, Chiba; Kazuyuki Fukushima, Tokyo, all of Japan**

[73] **Assignee: Hitachi, Ltd., Tokyo, Japan**

[**] **Term: 14 Years**

[21] **Appl. No.: 731,928**

[22] **Filed: Jul. 18, 1991**

[30] **Foreign Application Priority Data**

Feb. 6, 1991 [JP] Japan 3-2679

[52] **U.S. Cl. D14/106**

[58] **Field of Search D14/100, 101, 106, 113, D14/115; D18/1, 7, 11, 12; 235/145 A, 145 R; 340/700, 706; 341/22, 23; 361/390, 394; 364/708, 709.04**

[56] **References Cited**

U.S. PATENT DOCUMENTS

D. 303,523	9/1989	Shiozawa et al.	D14/106
D. 308,050	5/1990	Sugano et al.	D14/106
D. 308,051	5/1990	Sakai	D14/106
D. 312,075	11/1990	Lam	D14/106

Primary Examiner—Wallace R. Burke

Assistant Examiner—Freda S. Nunn

Attorney, Agent, or Firm—Antonelli, Terry, Stout & Kraus

[57] **CLAIM**

The ornamental design for a portable computer, as shown and described.

DESCRIPTION

FIG. 1 is a front, top and right side perspective view of a portable computer showing our new design; FIG. 2 is a front elevational view thereof; FIG. 3 is a rear elevational view thereof; FIG. 4 is a top plan view thereof; FIG. 5 is a right elevational view thereof; FIG. 6 is a bottom plan view thereof; FIG. 7 is a left elevational view thereof; and, FIG. 8 is a front, top and right side perspective view thereof in condition that the cover is closed.

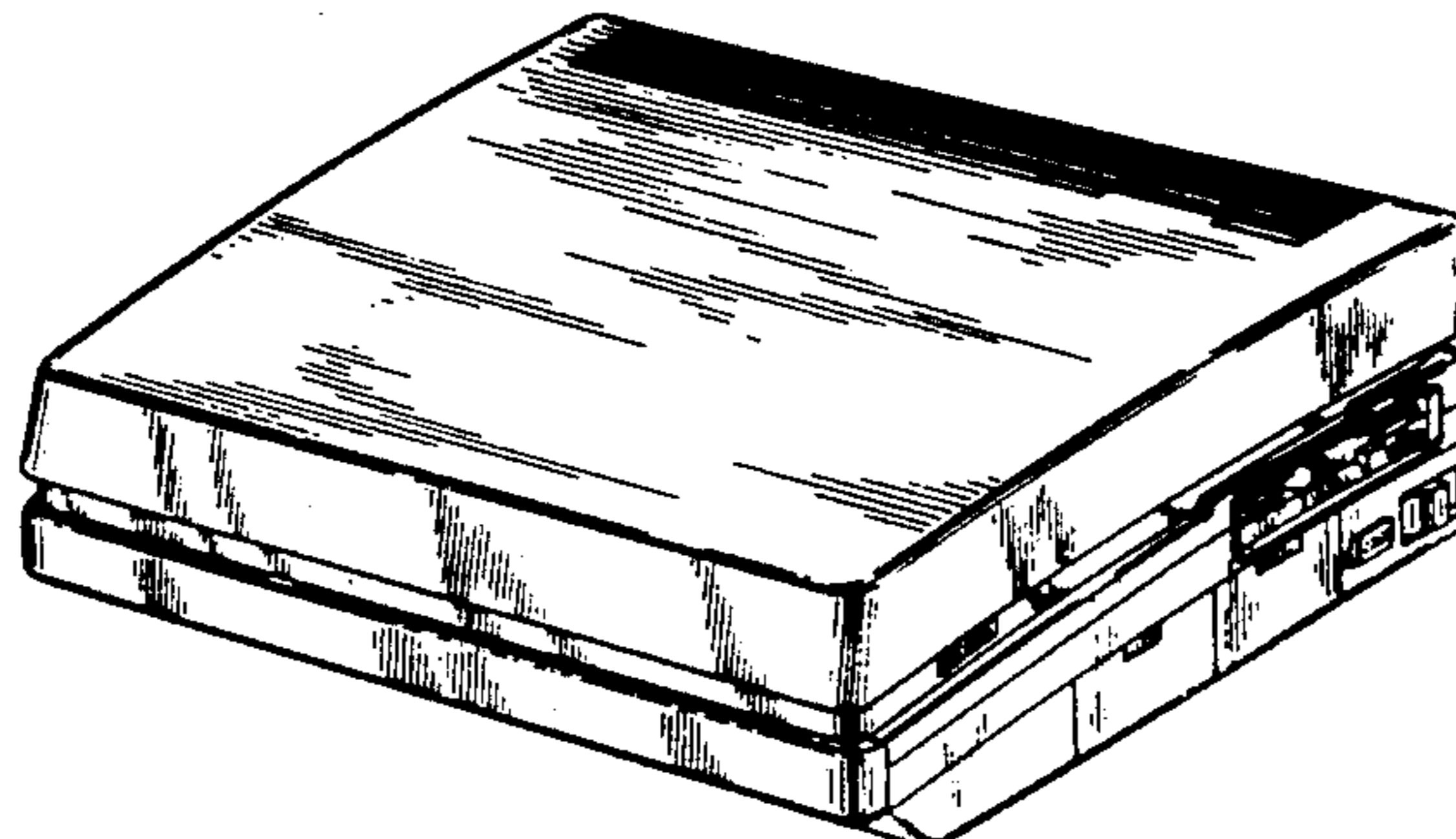
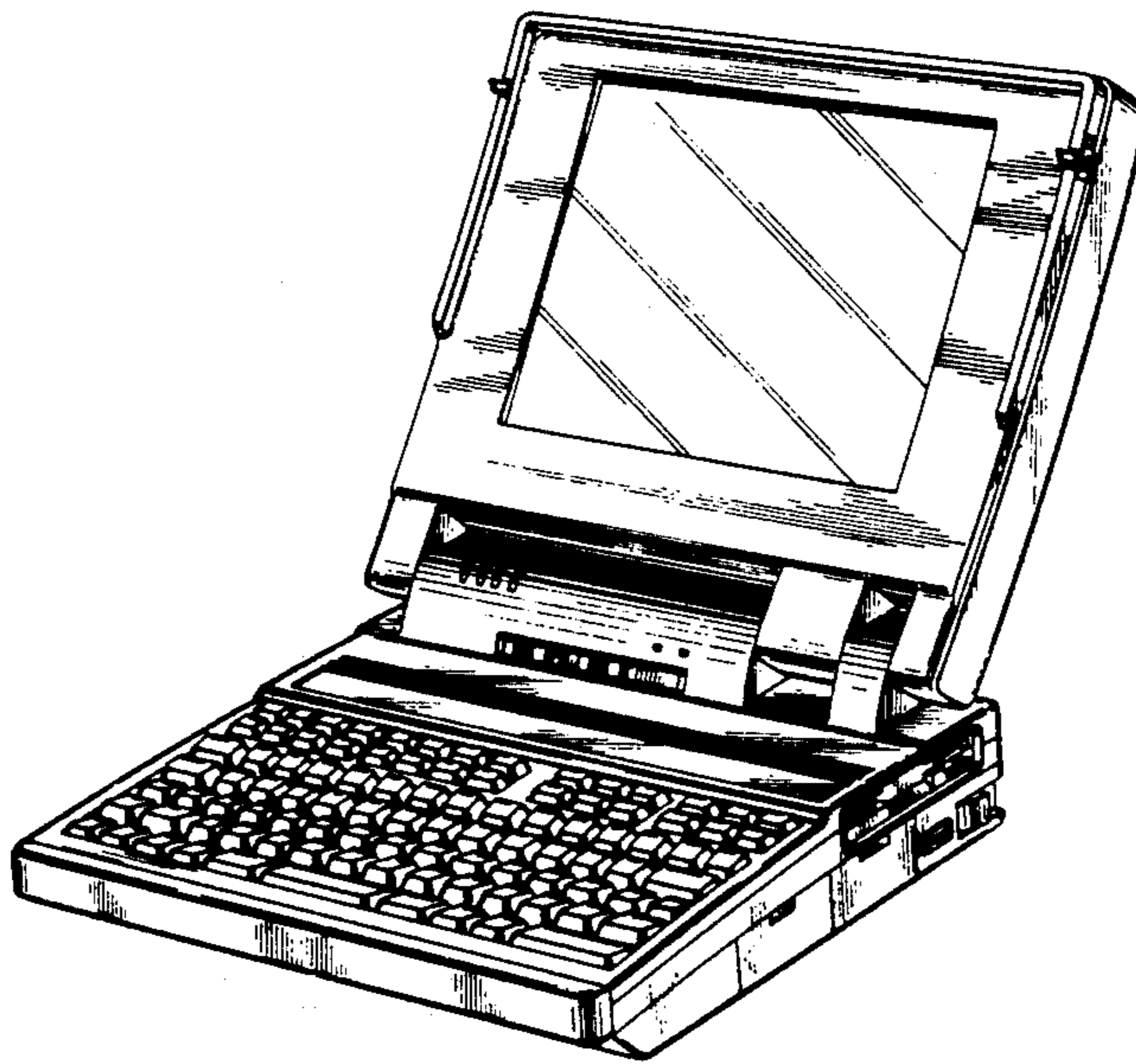


FIG. 1

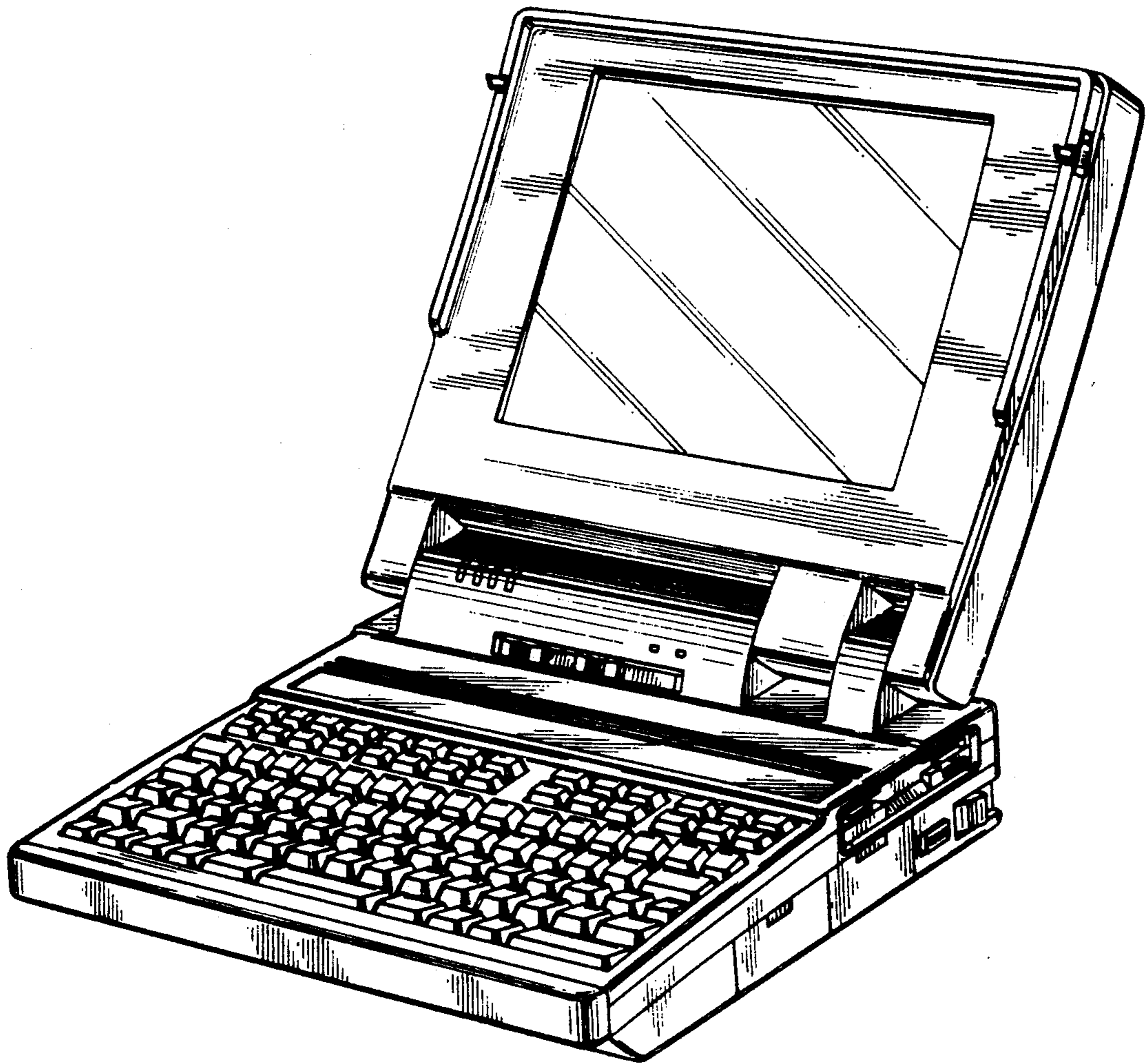


FIG. 2

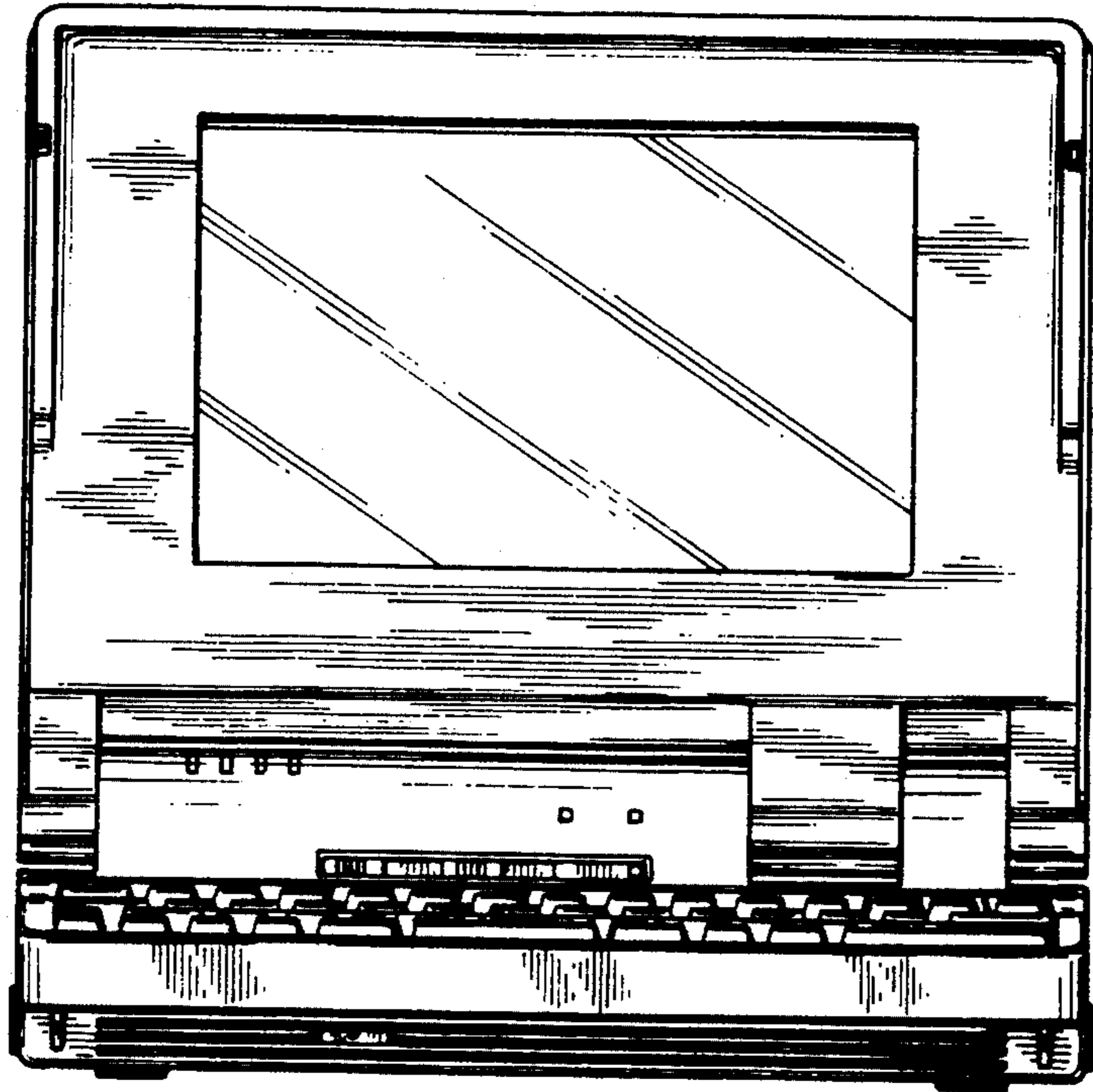


FIG. 3

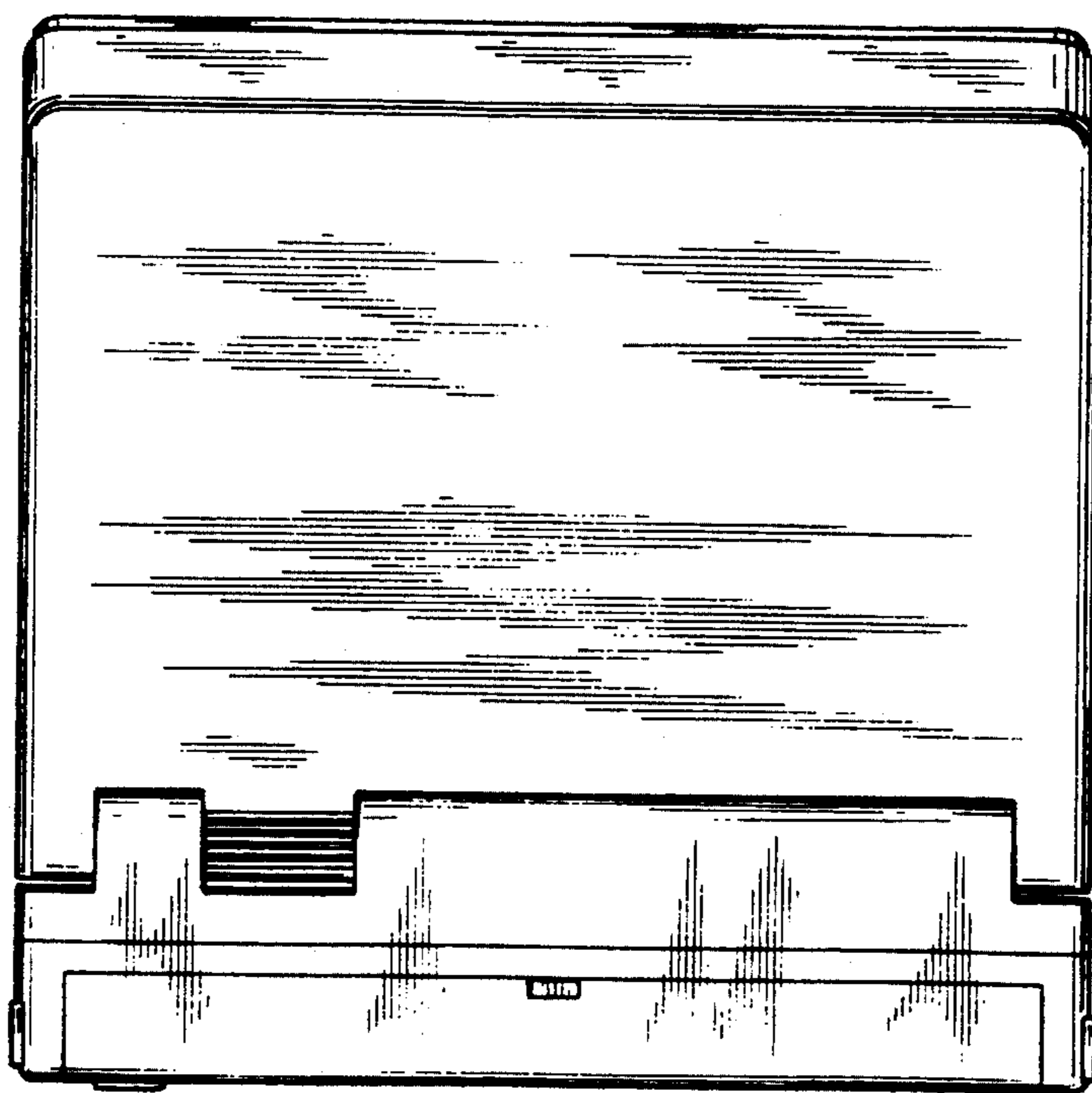


FIG. 4

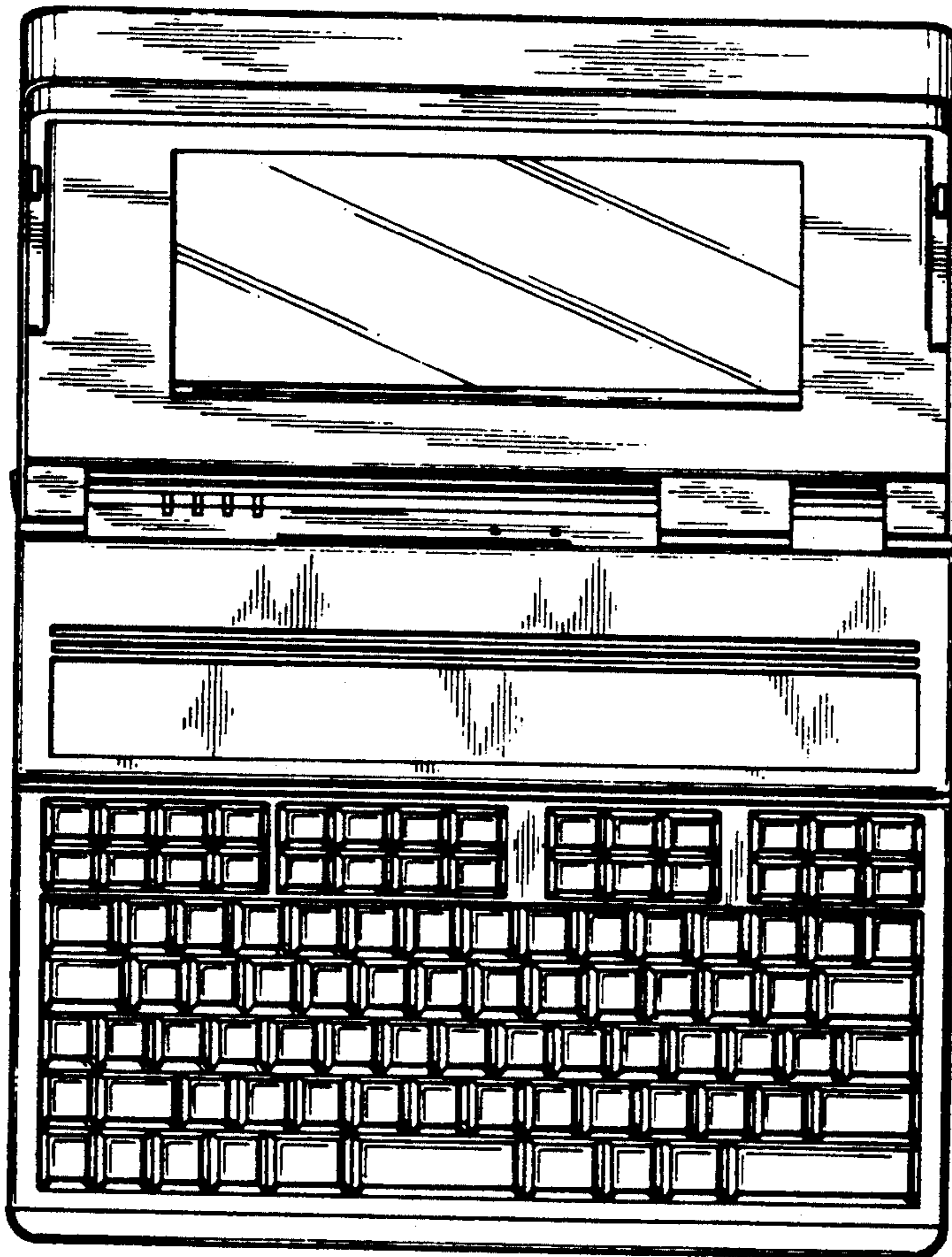


FIG. 5

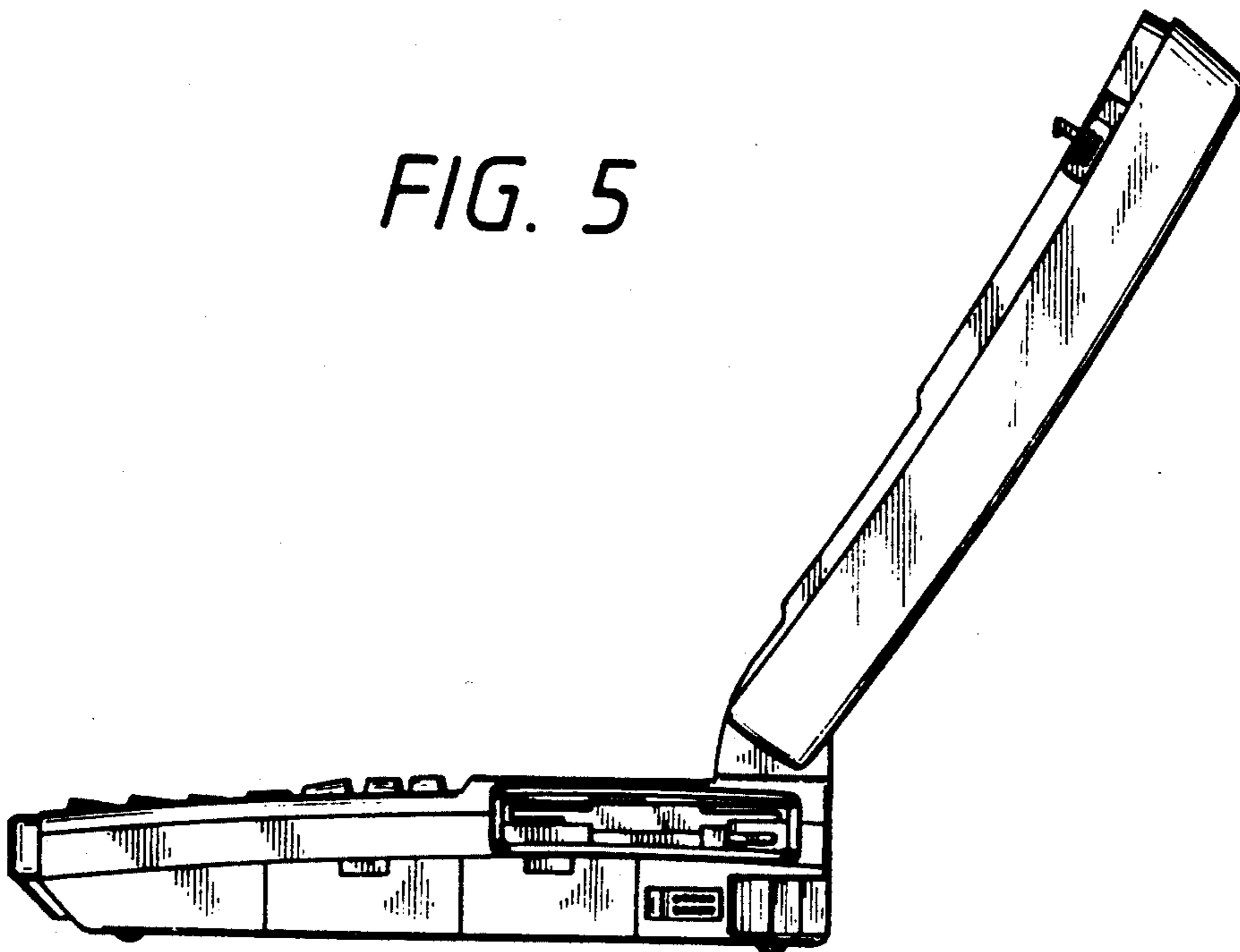


FIG. 6

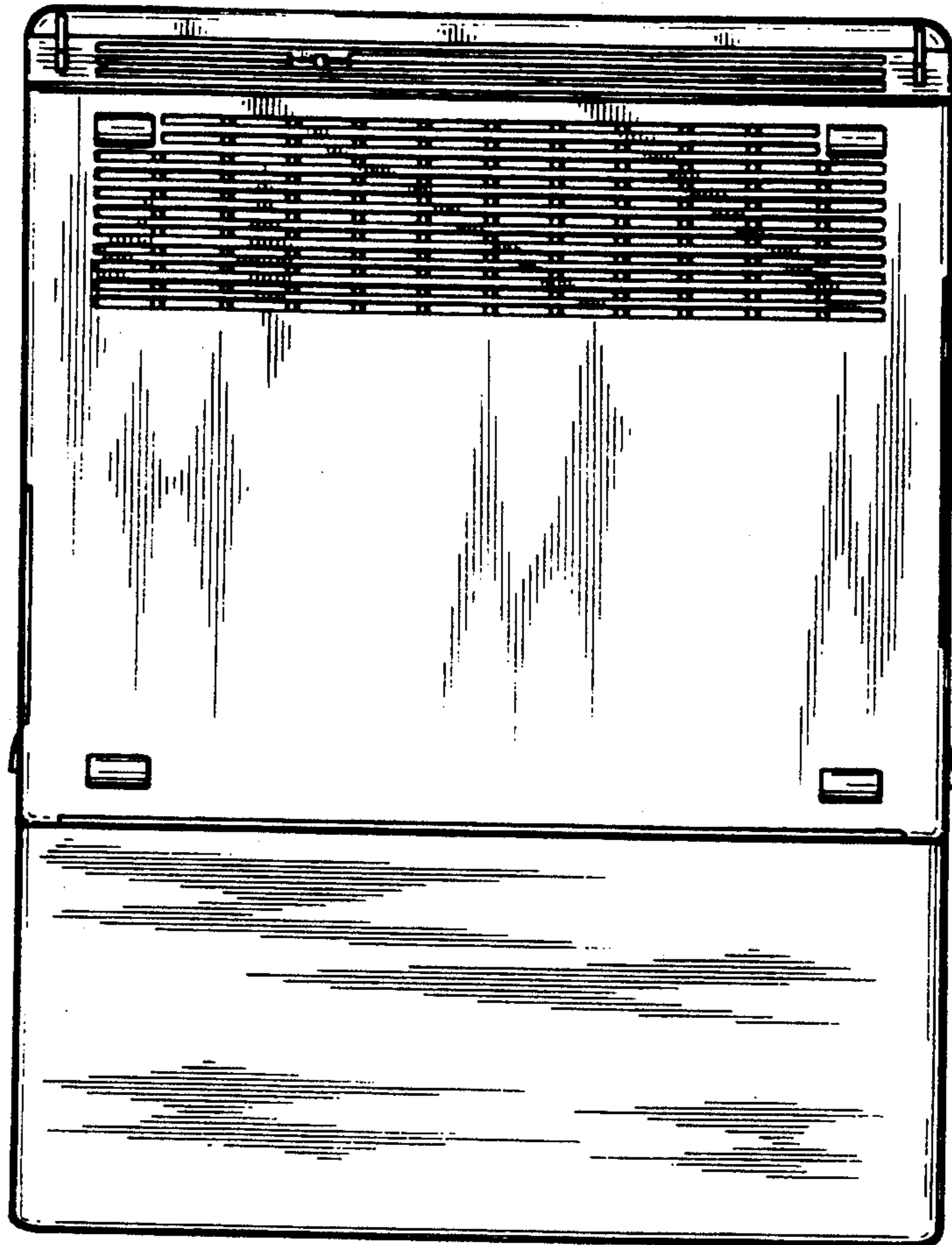


FIG. 7

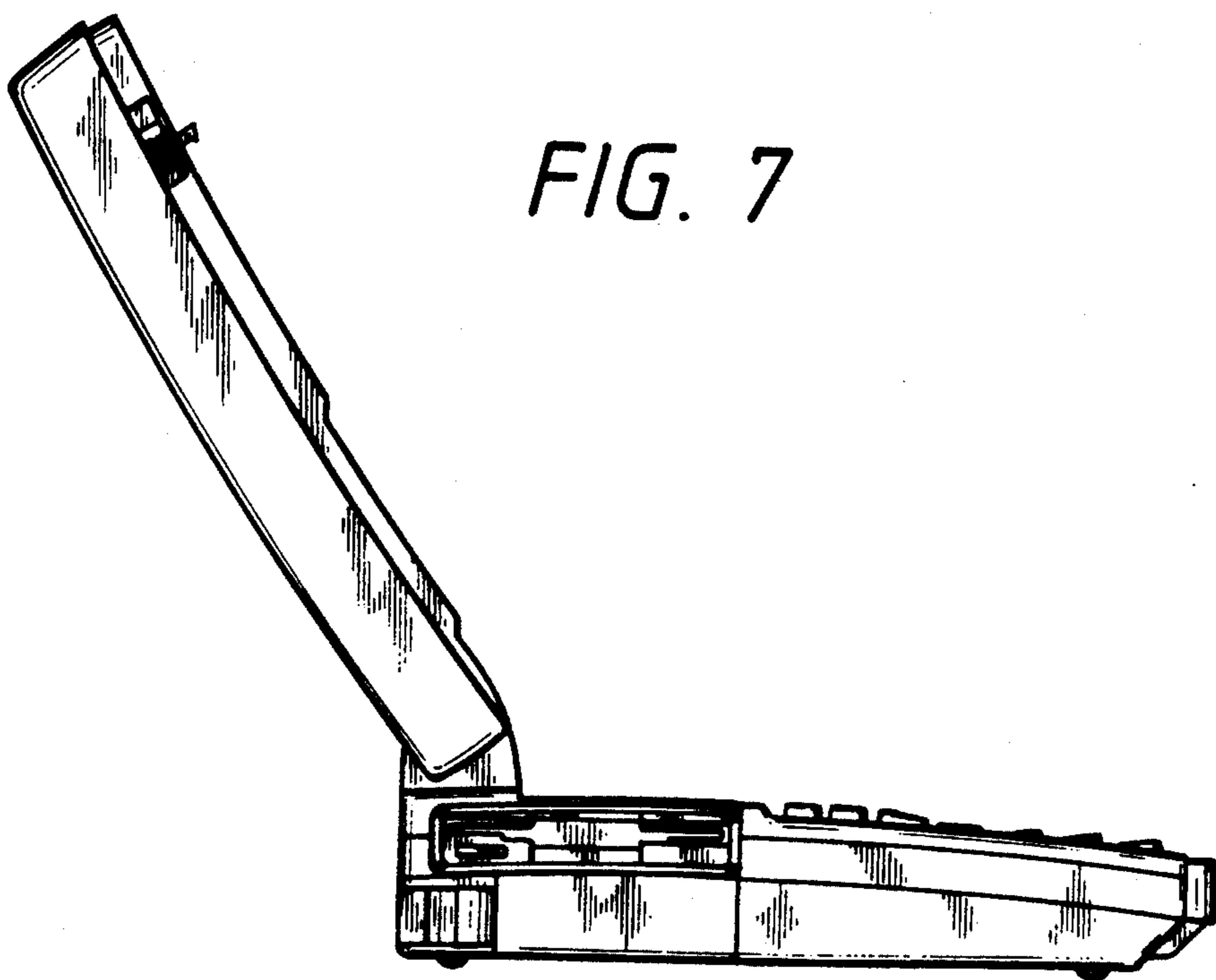


FIG. 8

