



US00D336635S

United States Patent [19]

[11] Patent Number: **Des. 336,635**

Johnston, Jr.

[45] Date of Patent: **** Jun. 22, 1993**

[54] SAFETY SWITCH MOUNTING PLATE

[75] Inventor: **Robert G. Johnston, Jr., Pompano Beach, Fla.**

[73] Assignee: **Fibretron Inc., Pompano Beach, Fla.**

[**] Term: **14 Years**

[21] Appl. No.: **665,733**

[22] Filed: **Mar. 7, 1991**

[52] U.S. Cl. **D13/173**

[58] Field of Search **D13/160, 162, 173, 177; D8/396; 174/52.1, 66, 68.3; 200/334, 296; 439/865; 335/18; 248/680**

[56] References Cited

U.S. PATENT DOCUMENTS

D. 280,485	9/1985	M'Sadoques et al.	D13/160 X
D. 301,336	5/1989	Copeland	D13/173
3,058,087	10/1962	Piasecki	439/865 X
4,719,437	1/1988	Yun	335/18

FOREIGN PATENT DOCUMENTS

0063733	11/1982	European Pat. Off.	174/68.3
0844285	7/1939	France	248/680
0594934	11/1947	United Kingdom	174/66
1064108	4/1967	United Kingdom	200/296
1585760	3/1981	United Kingdom	174/66

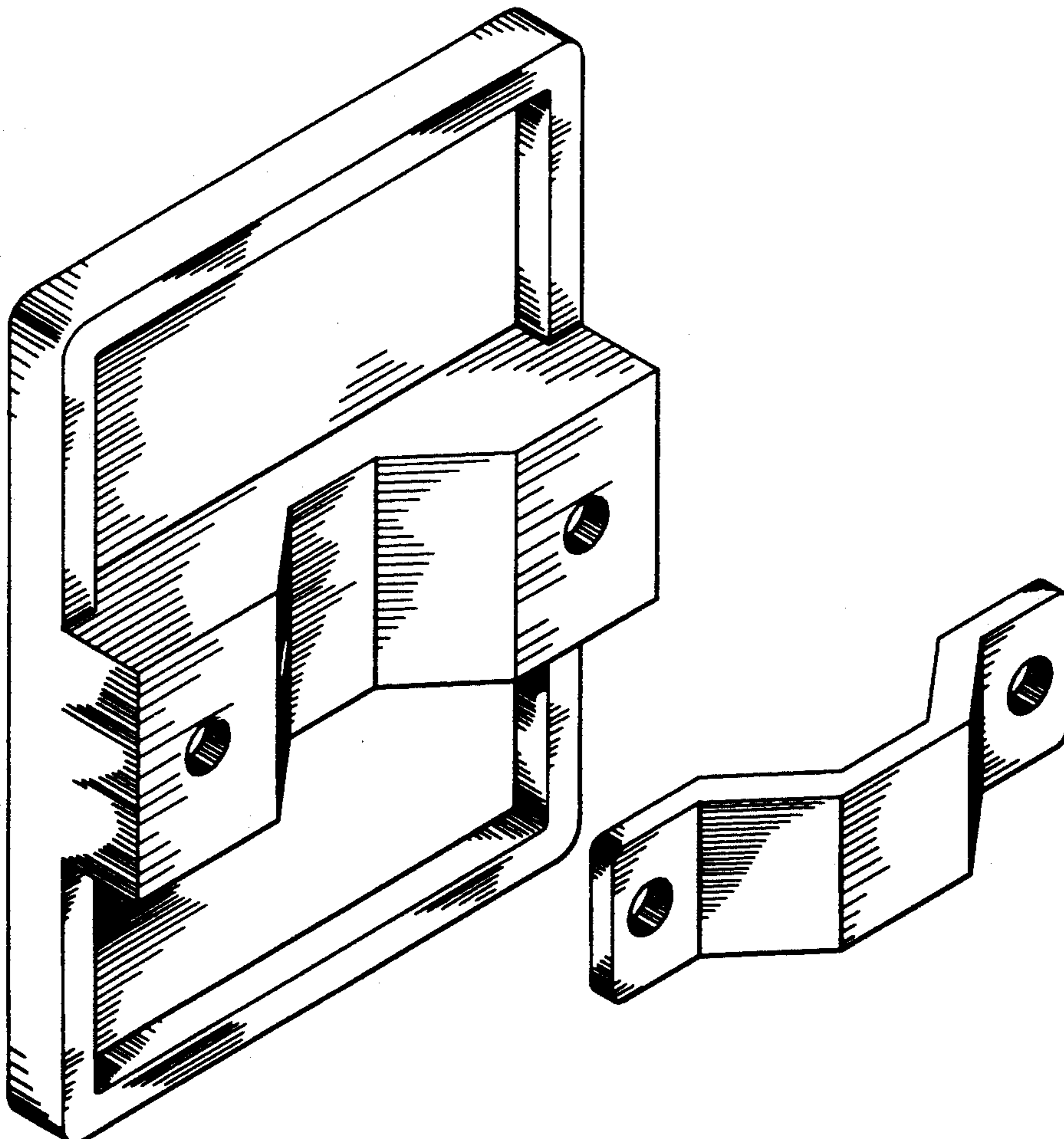
Primary Examiner—Wallace R. Burke
Assistant Examiner—J. Sincavage
Attorney, Agent, or Firm—Melvin K. Silverman

[57] CLAIM

The ornamental design for a safety switch mounting plate, as shown and described above.

DESCRIPTION

FIG. 1 is a front elevational view of a safety switch mounting plate showing my new design with the two members separated;
FIG. 2 is a top plan view thereof;
FIG. 3 is a right side elevational view thereof, the left side elevational view thereof being a mirror image;
FIG. 4 is a rear elevational view thereof; and,
FIG. 5 is a front and upper left perspective view thereof.



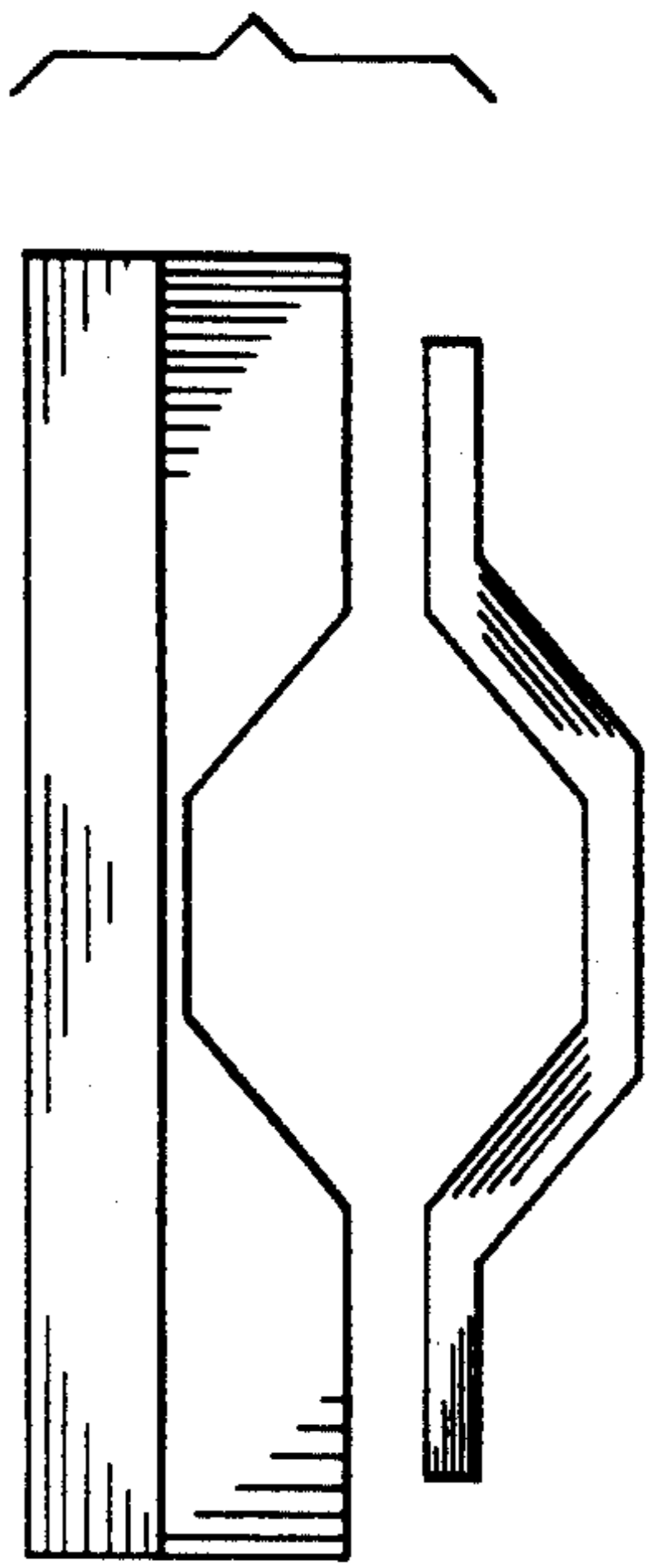


FIG. 2.

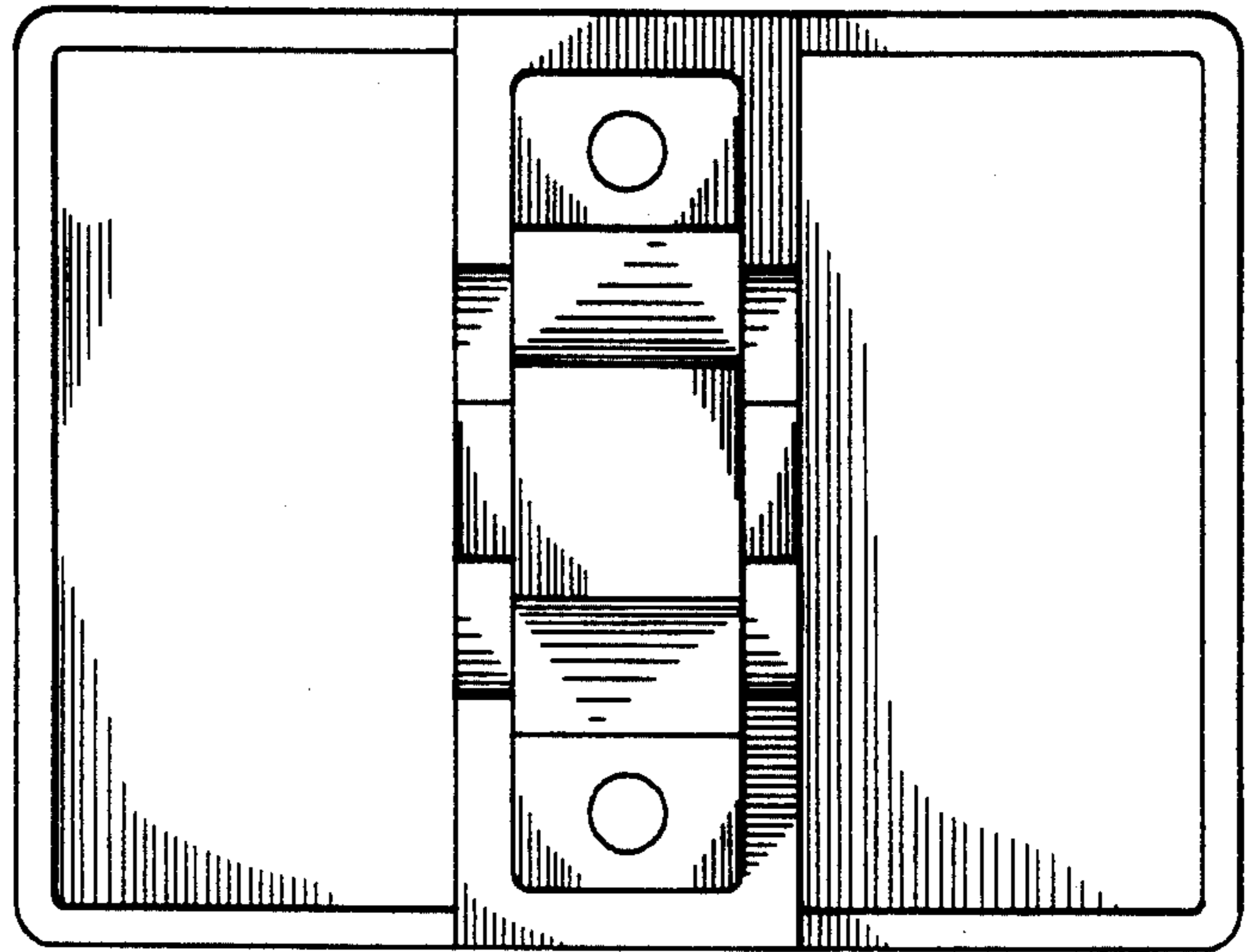


FIG. 1.

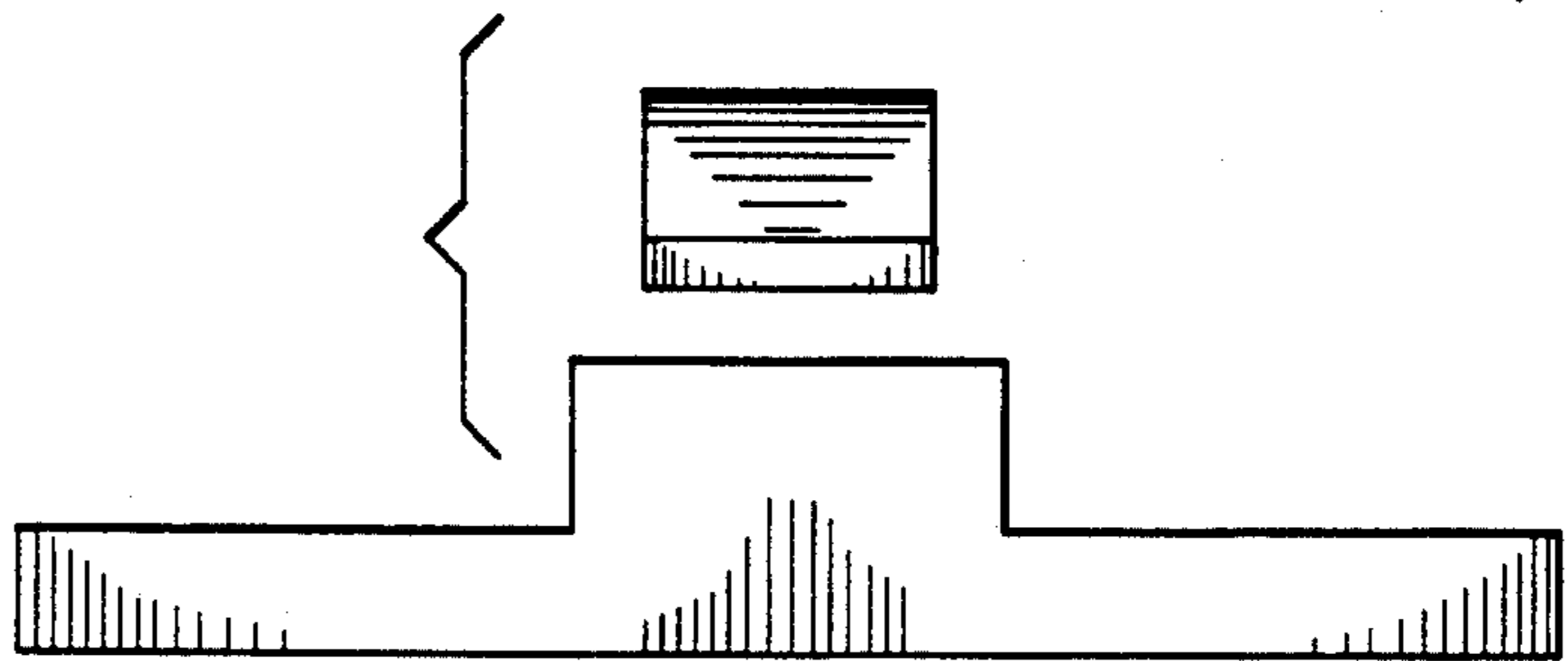


FIG. 3.

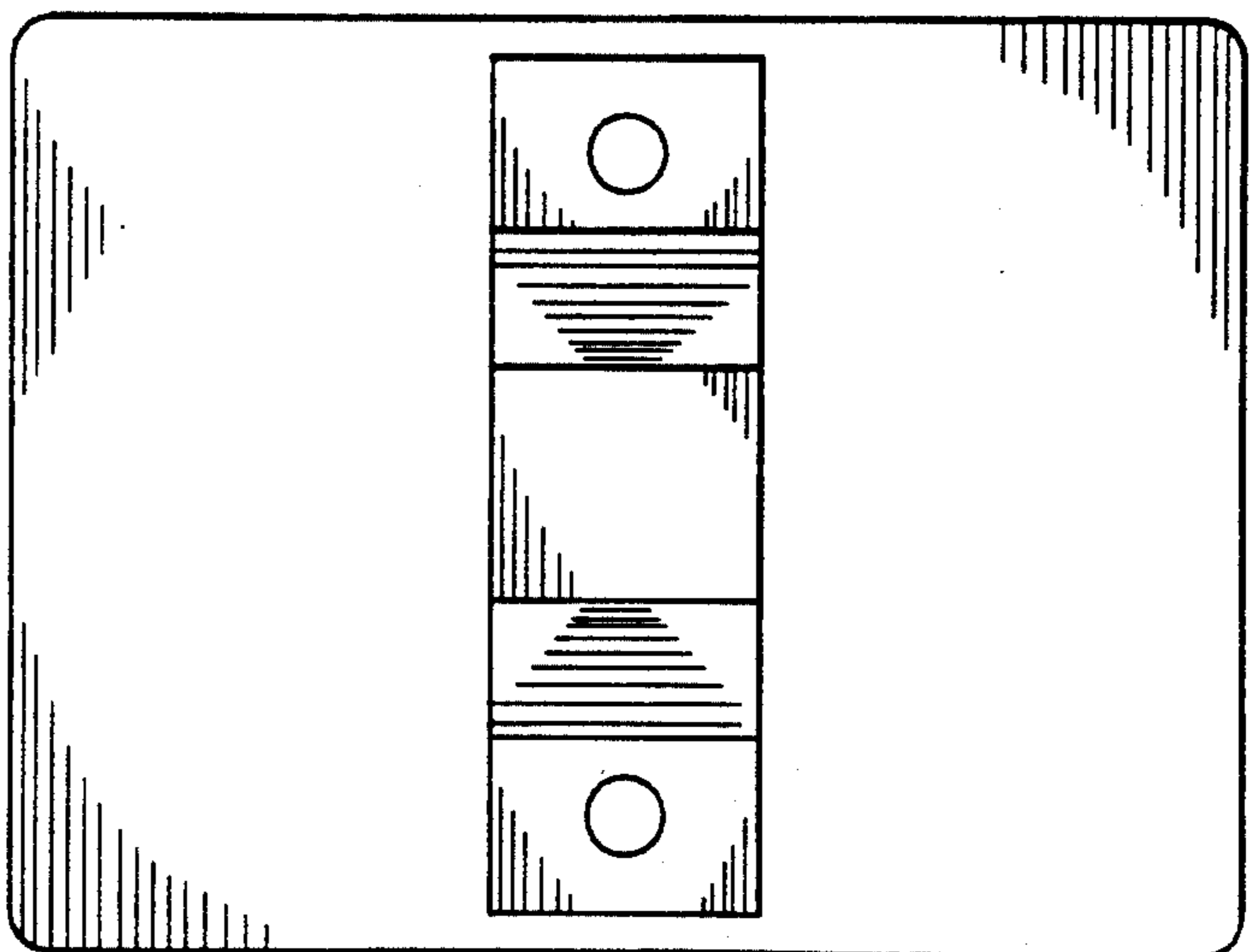


FIG. 4.

FIG. 5.

