



US00D336632S

United States Patent [19]

Nakata et al.

[11] Patent Number: Des. 336,632

[45] Date of Patent: ** Jun. 22, 1993

[54] ELECTRICAL CONNECTOR HOUSING

[75] Inventors: Naohisa Nakata; Kensaku Sato, both of Tokyo, Japan

[73] Assignee: Hirose Electric Co., Ltd., Tokyo, Japan

[**] Term: 14 Years

[21] Appl. No.: 707,654

[22] Filed: May 17, 1991

[30] Foreign Application Priority Data

Jan. 22, 1991 [JP] Japan 3-1003

[52] U.S. Cl. D13/133

[58] Field of Search D13/133, 146, 147; 439/292, 352, 354, 358, 378, 483, 527, 533, 569, 572, 573, 594, 599, 950

[56] References Cited

U.S. PATENT DOCUMENTS

D, 314,942 2/1991 Sato et al. D13/147
D. 316,703 5/1991 Eto et al. D13/147
4,786,259 11/1988 Paul 439/358 X

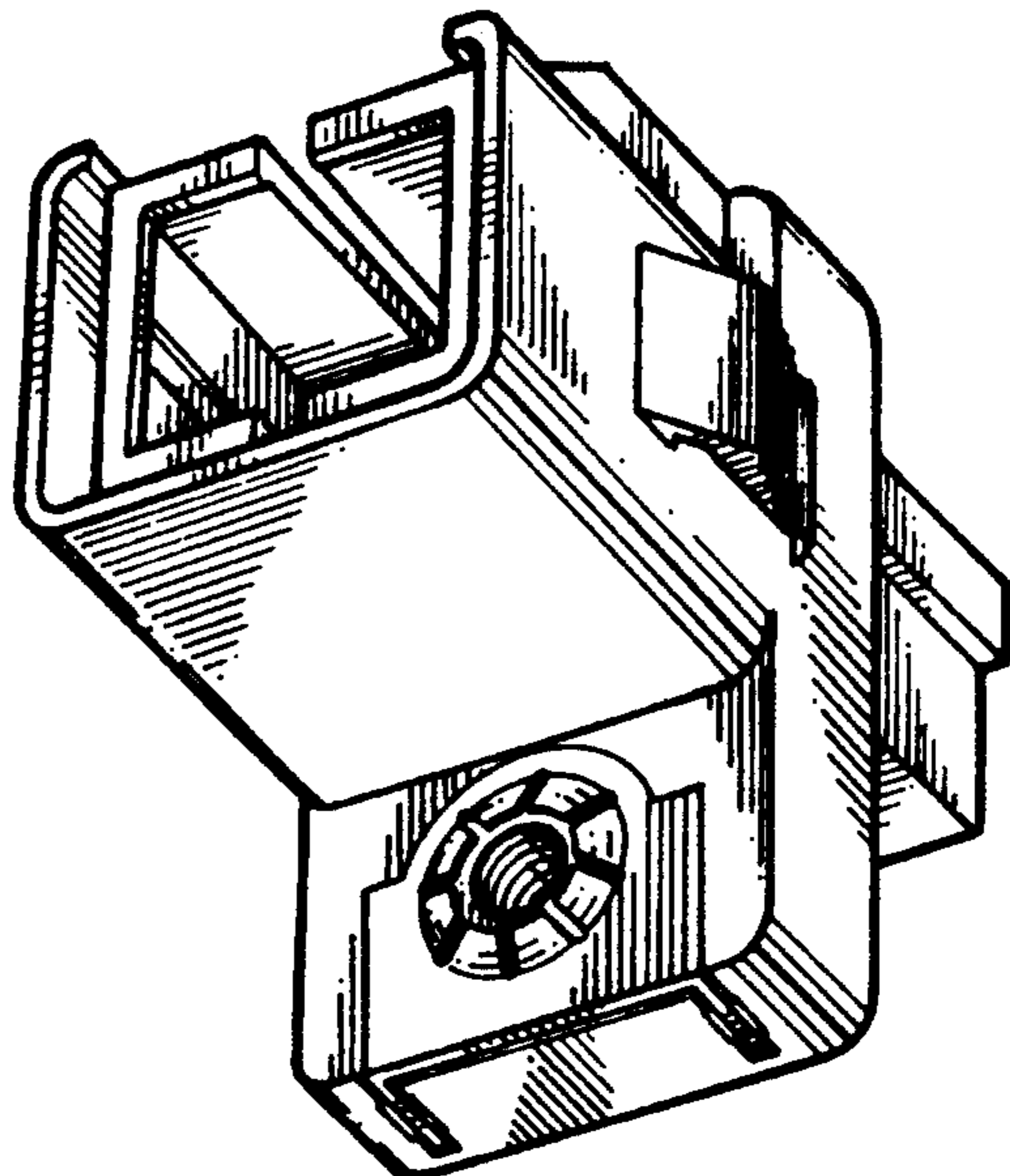
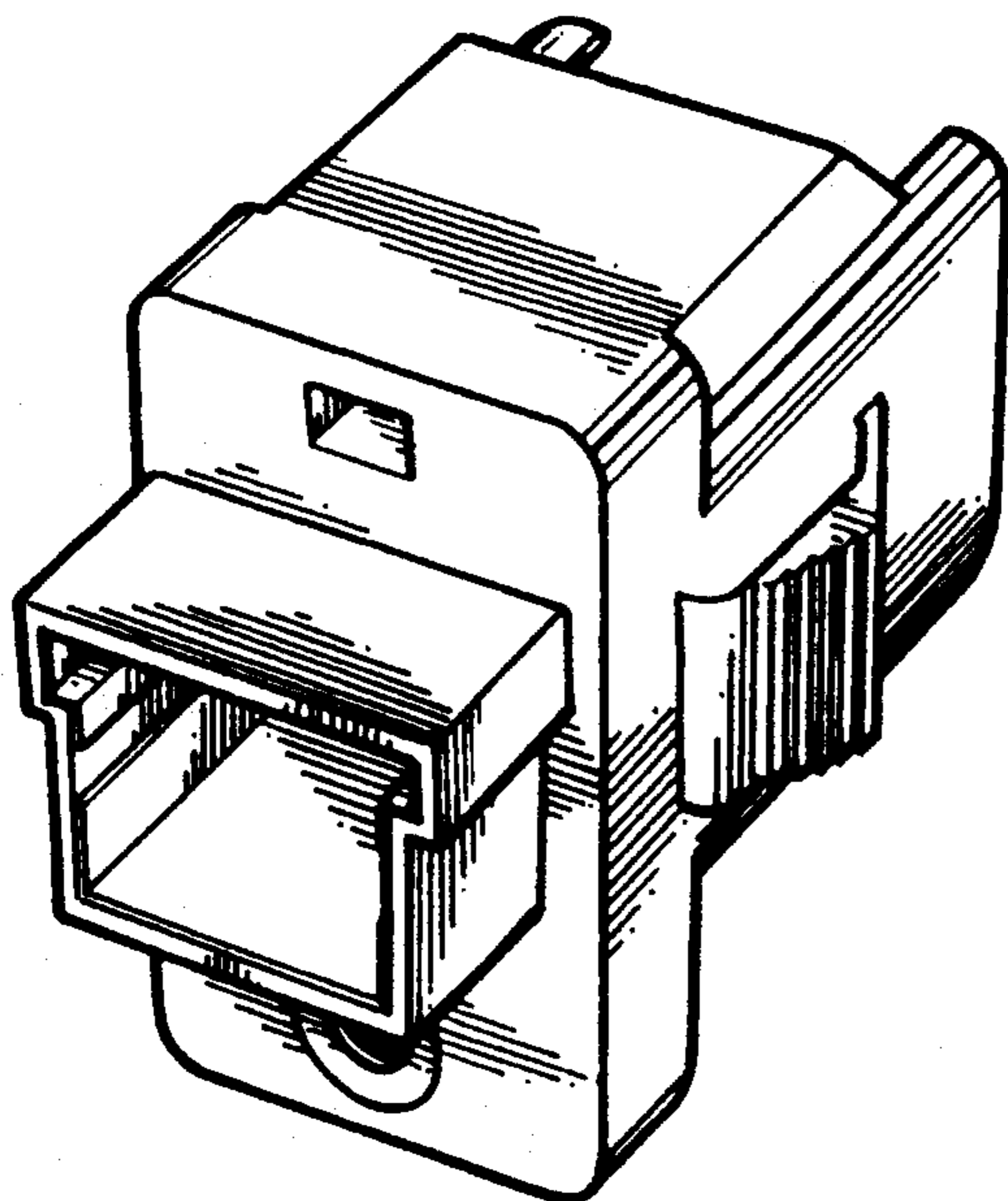
Primary Examiner—Wallace R. Burke
Assistant Examiner—Joel Sincavage
Attorney, Agent, or Firm—Kanesaka & Takeuchi

[57] CLAIM

The ornamental design for an electrical connector housing, as shown and described.

DESCRIPTION

FIG. 1 is a rear and upper left perspective view of an electrical connector housing showing our new design; FIG. 2 is a top plan view thereof; FIG. 3 is a rear elevational view thereof; FIG. 4 is a left side elevational view thereof, the right side elevational view thereof being a mirror image; FIG. 5 is a front elevational view thereof; FIG. 6 is a bottom plan view thereof; and, FIG. 7 is a front and lower right perspective view thereof.



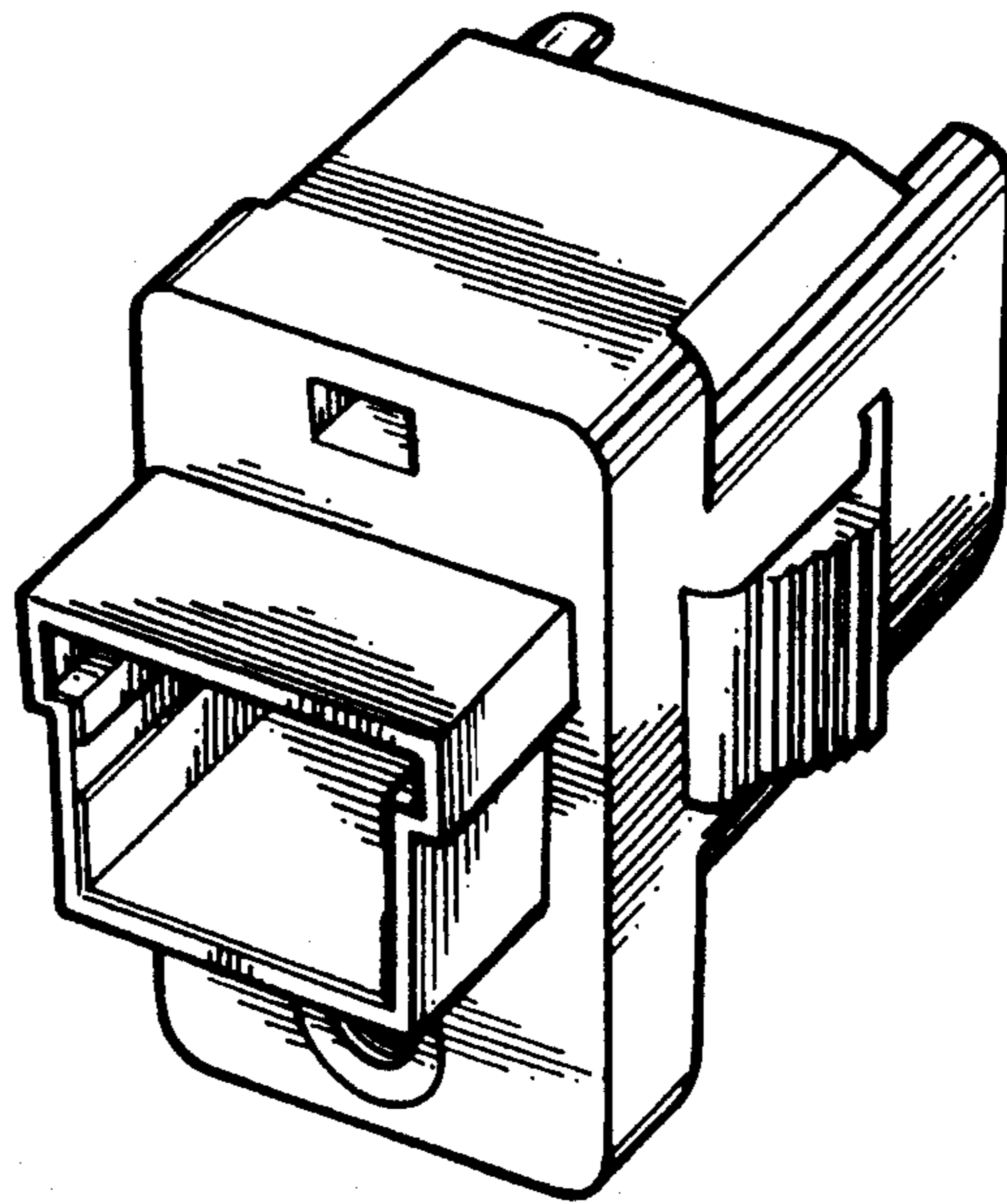


FIG. 1

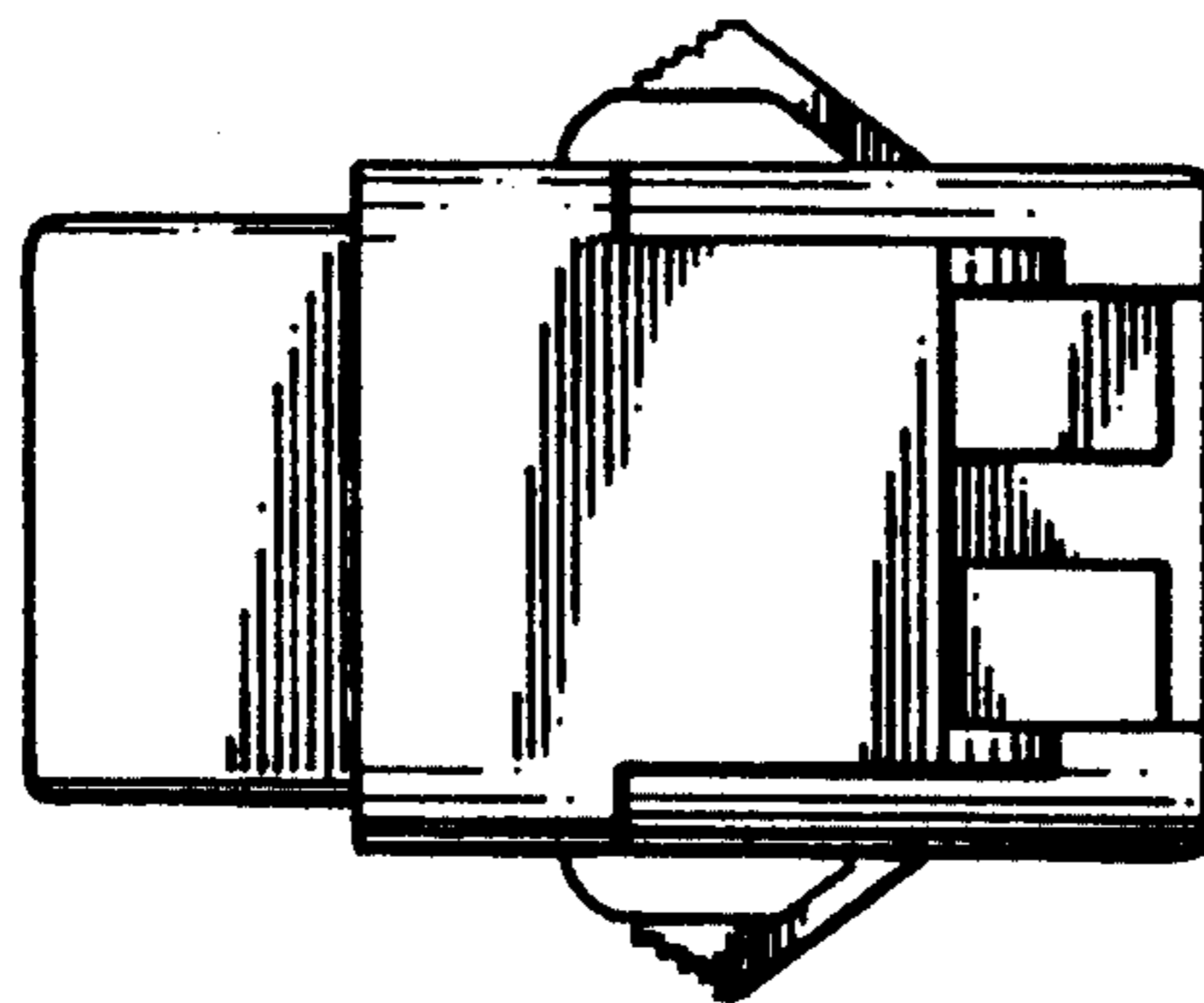


FIG. 2

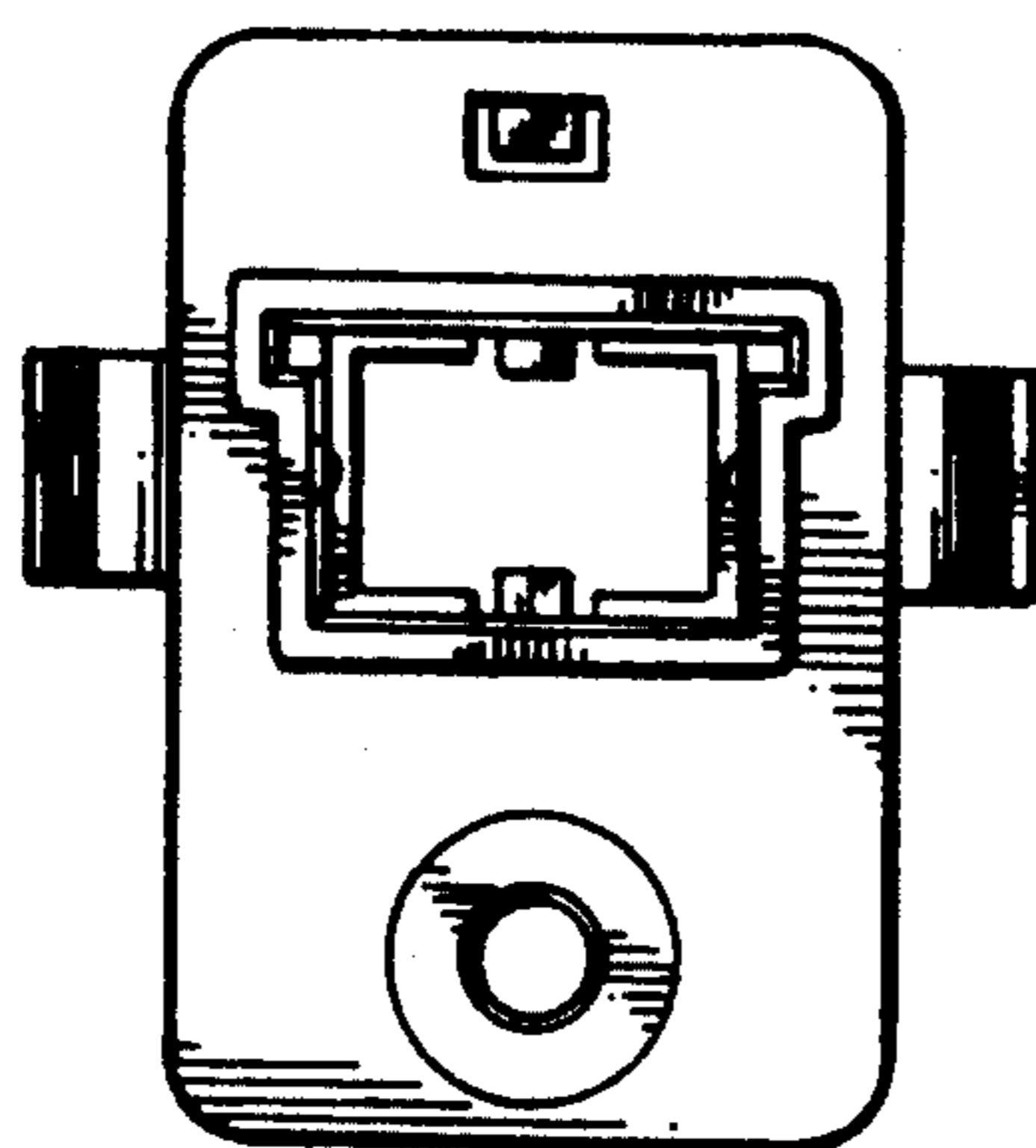


FIG. 3

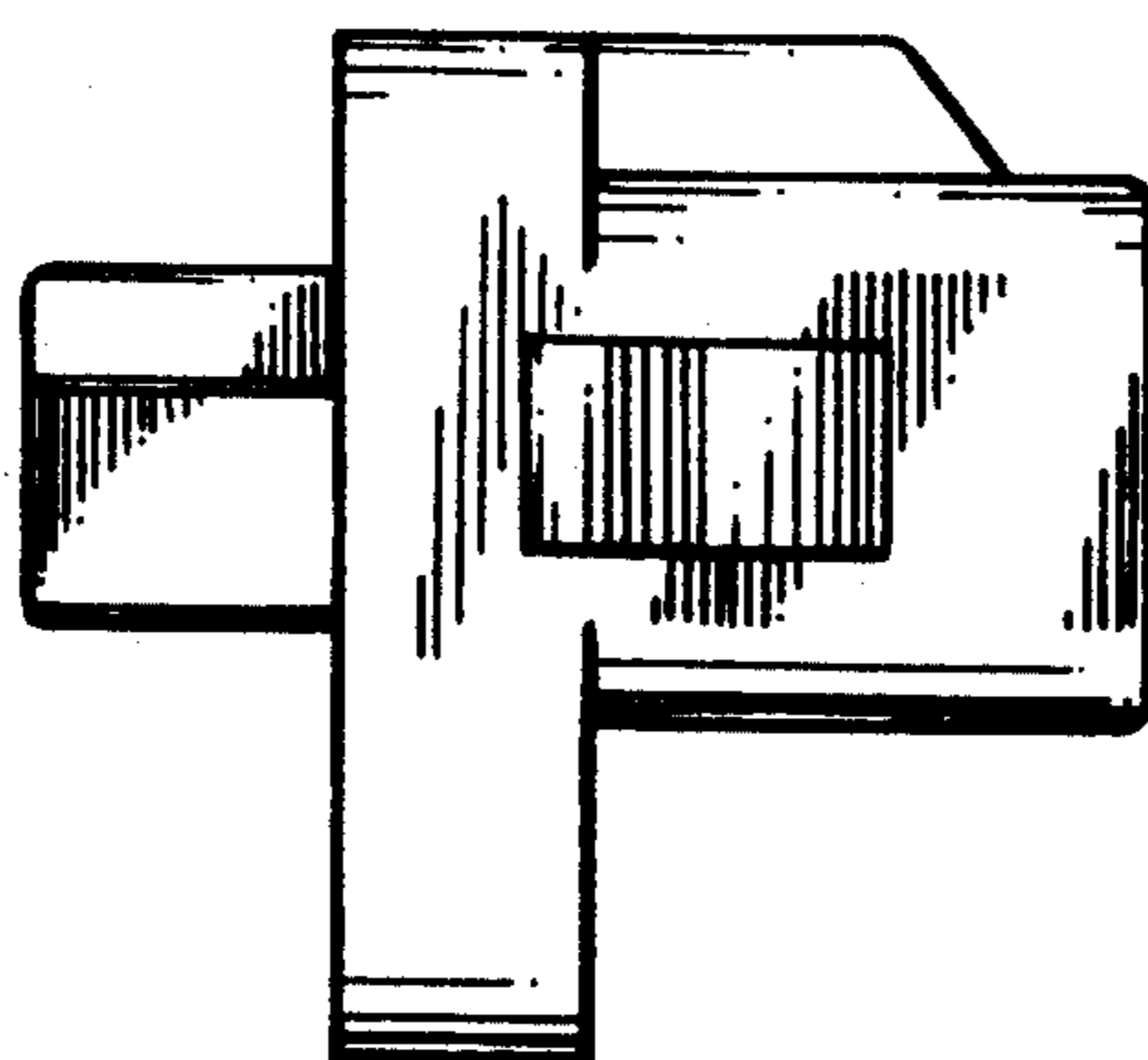


FIG. 4

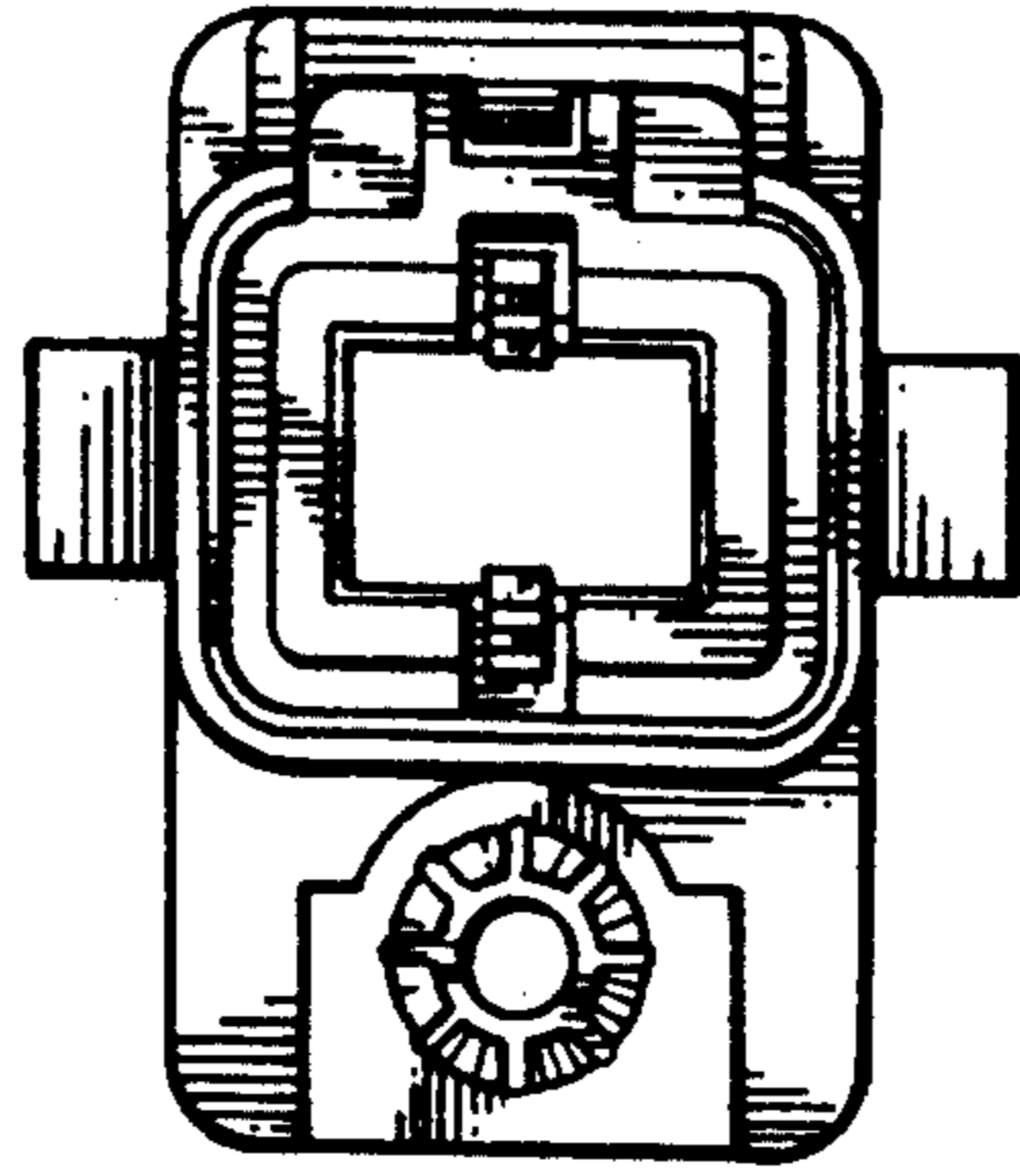


FIG. 5

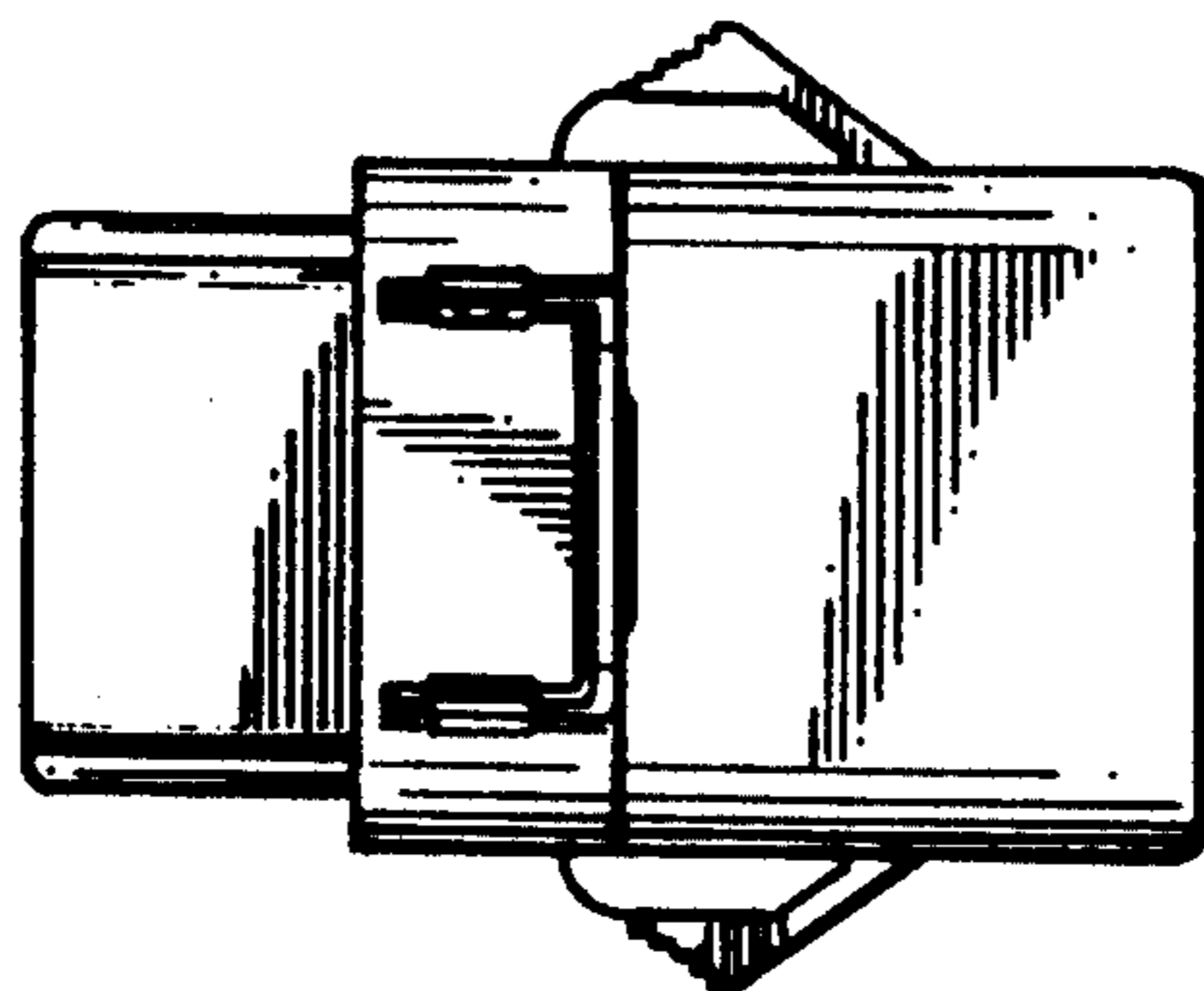


FIG. 6

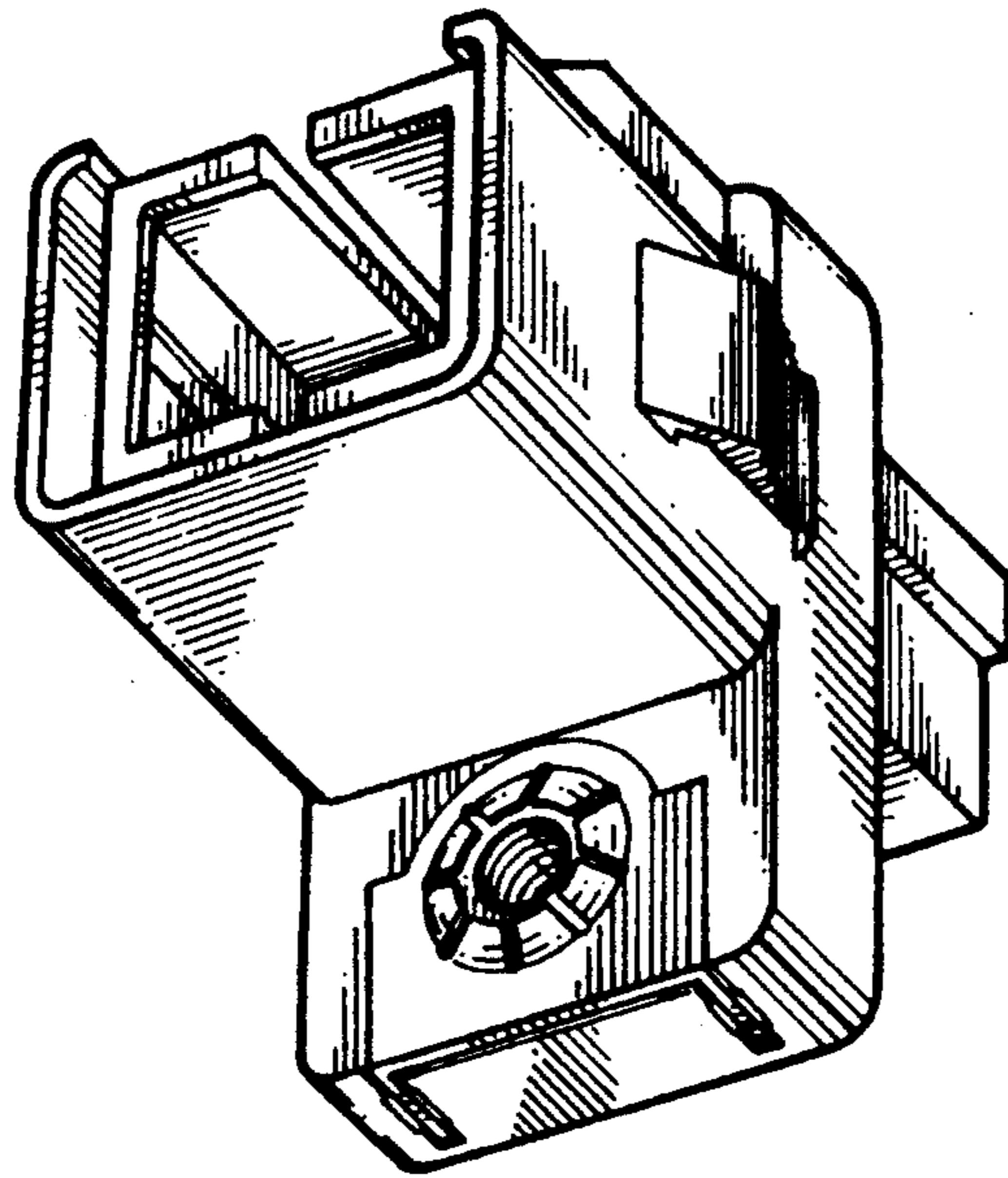


FIG. 7