



US00D336618S

United States Patent [19] Smith

[11] Patent Number: **Des. 336,618**
[45] Date of Patent: **** Jun. 22, 1993**

[54] **PUTTING GUIDE**

[76] Inventor: **William Smith**, 10320 Bilston Ct. No. 1, Creve Coeur, Mo. 63146

[**] Term: **14 Years**

[21] Appl. No.: **751,225**

[22] Filed: **Aug. 26, 1991**

[52] U.S. Cl. **D10/64; D10/65**

[58] Field of Search **D10/62, 64, 65, 70, D10/71; D21/221, 219; 273/192, 194 R, DIG. 27, 187 R, 187.2, 190 R, 191 R, 191 A, 163 A, 186.1, 201, 187 A, 194 A**

[56] **References Cited**

U.S. PATENT DOCUMENTS

- D. 244,874 6/1977 Stanton D21/221
- D. 279,399 6/1985 Neumunz D21/221
- 3,604,711 9/1971 Hansburg 273/183.1
- 5,026,066 6/1991 Kane 273/192

Primary Examiner—Alan P. Douglas
Assistant Examiner—Antoine D. Davis

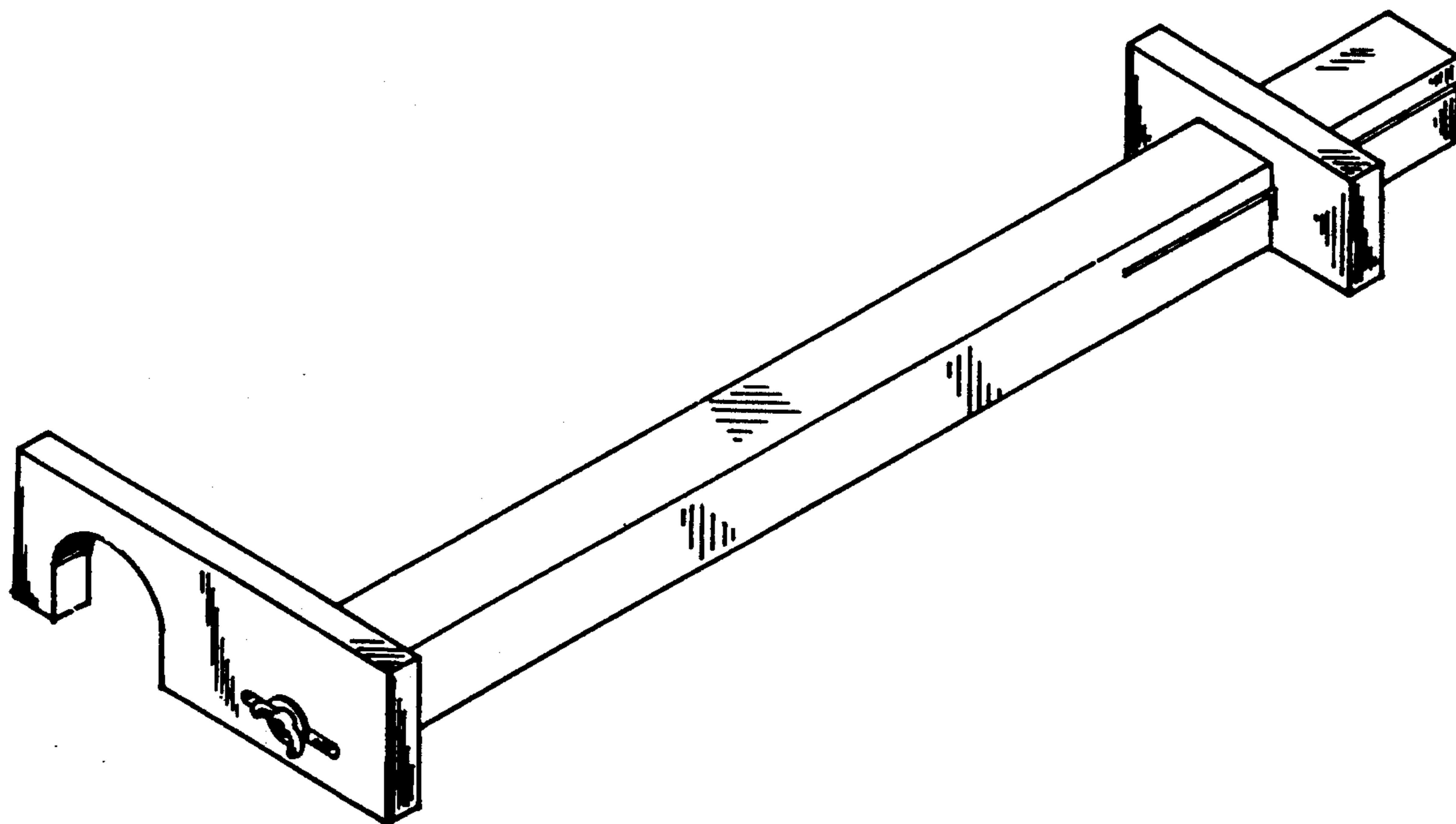
Attorney, Agent, or Firm—Heller & Kepler

[57] **CLAIM**

The ornamental design for a putting guide, as shown and described.

DESCRIPTION

FIG. 1 is a perspective view of the putting guide showing my new design;
 FIG. 2 is a top view;
 FIG. 3 is a side elevation view;
 FIG. 4 is a bottom view;
 FIG. 5 is an end elevation view;
 FIG. 6 is an end elevation view;
 FIG. 7 is a side elevation view;
 FIG. 8 is another perspective view illustrating the moveable members in an extreme position;
 FIG. 9 is another perspective view illustrating the moveable members in another extreme position; and,
 FIG. 10 is a perspective view illustrating the moveable members placed in an opposite hand position.
 Portions of the beam have been eliminated for ease of illustration in FIGS. 8 and 9.



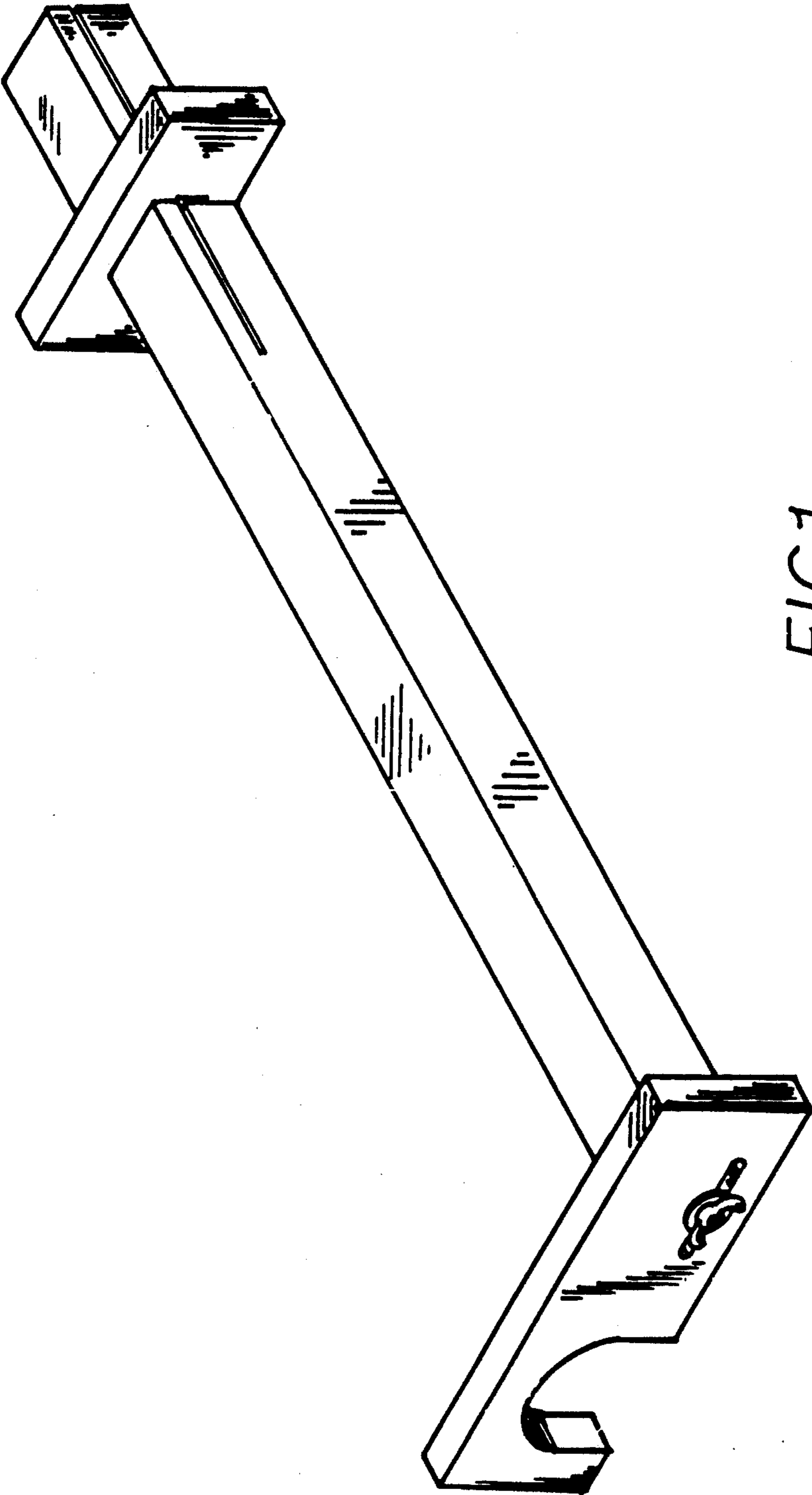


FIG. 1.

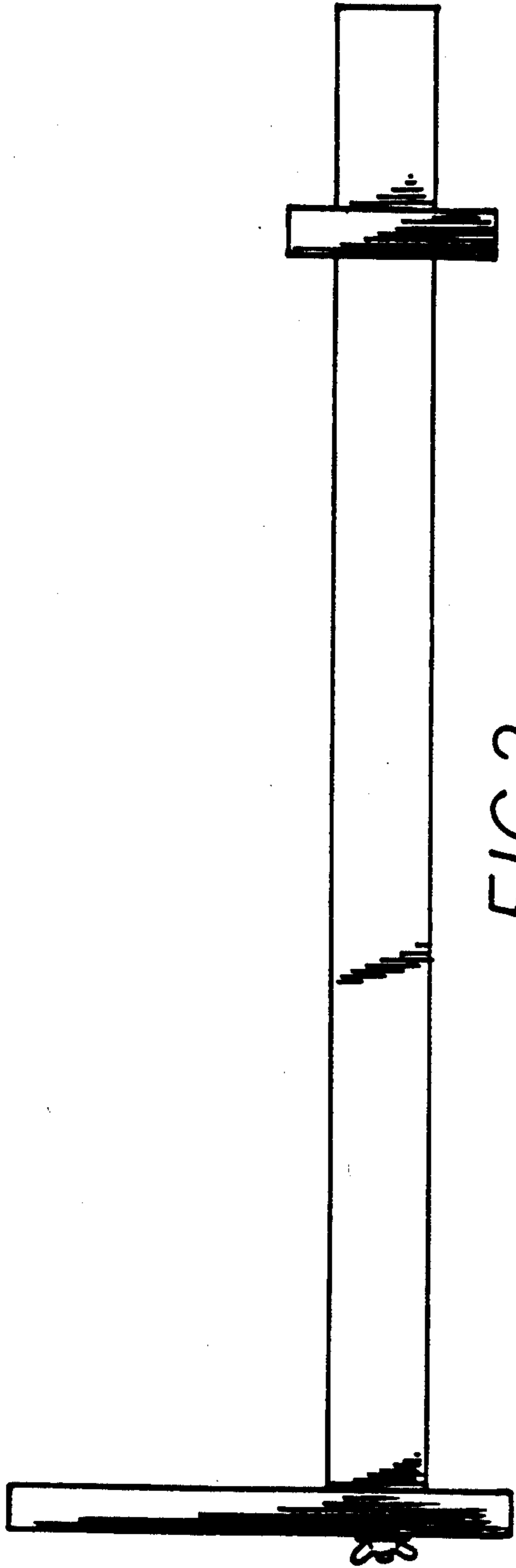


FIG. 2.

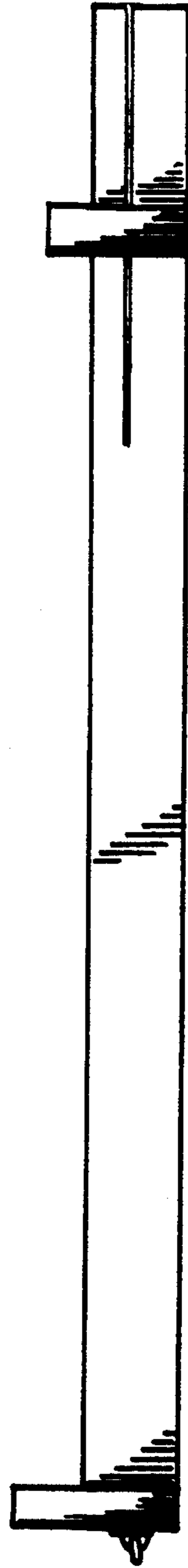


FIG. 3.

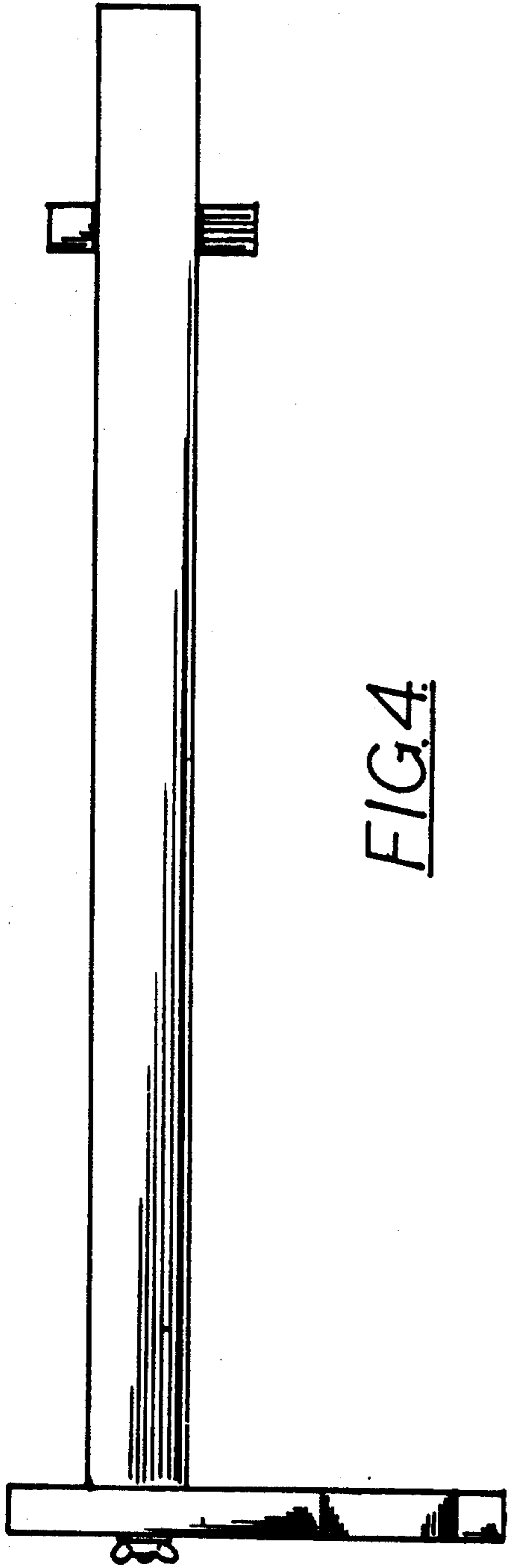


FIG. 4.

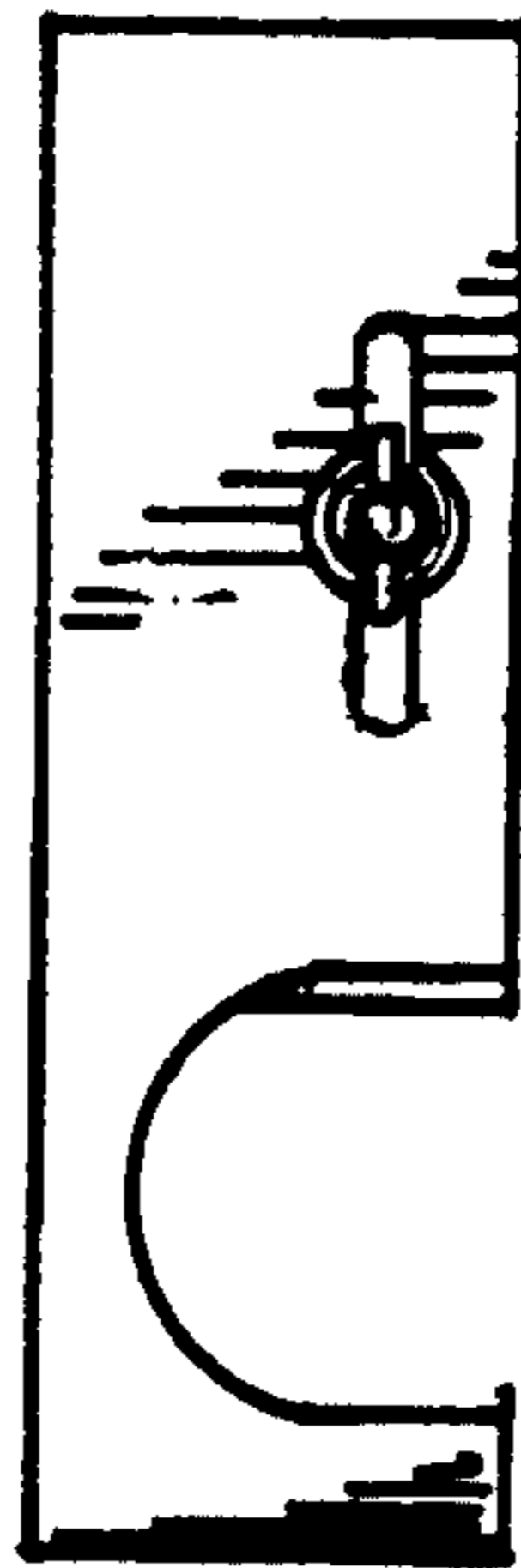


FIG. 5.

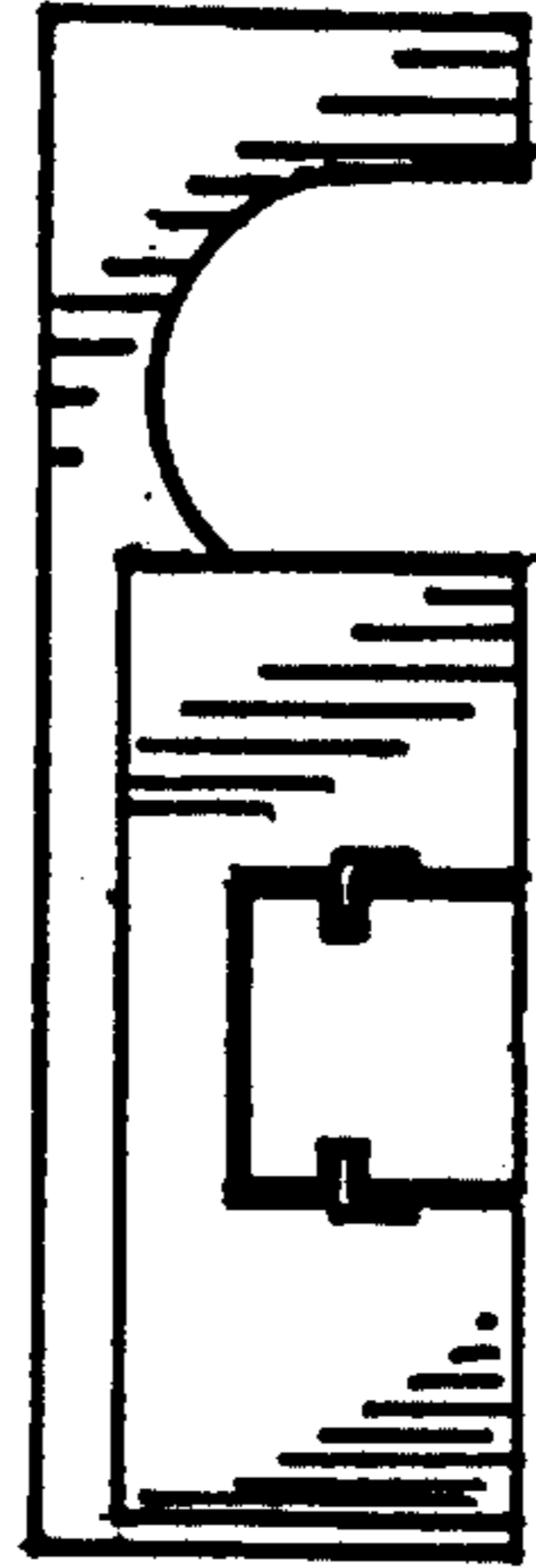


FIG. 6.



FIG. 7

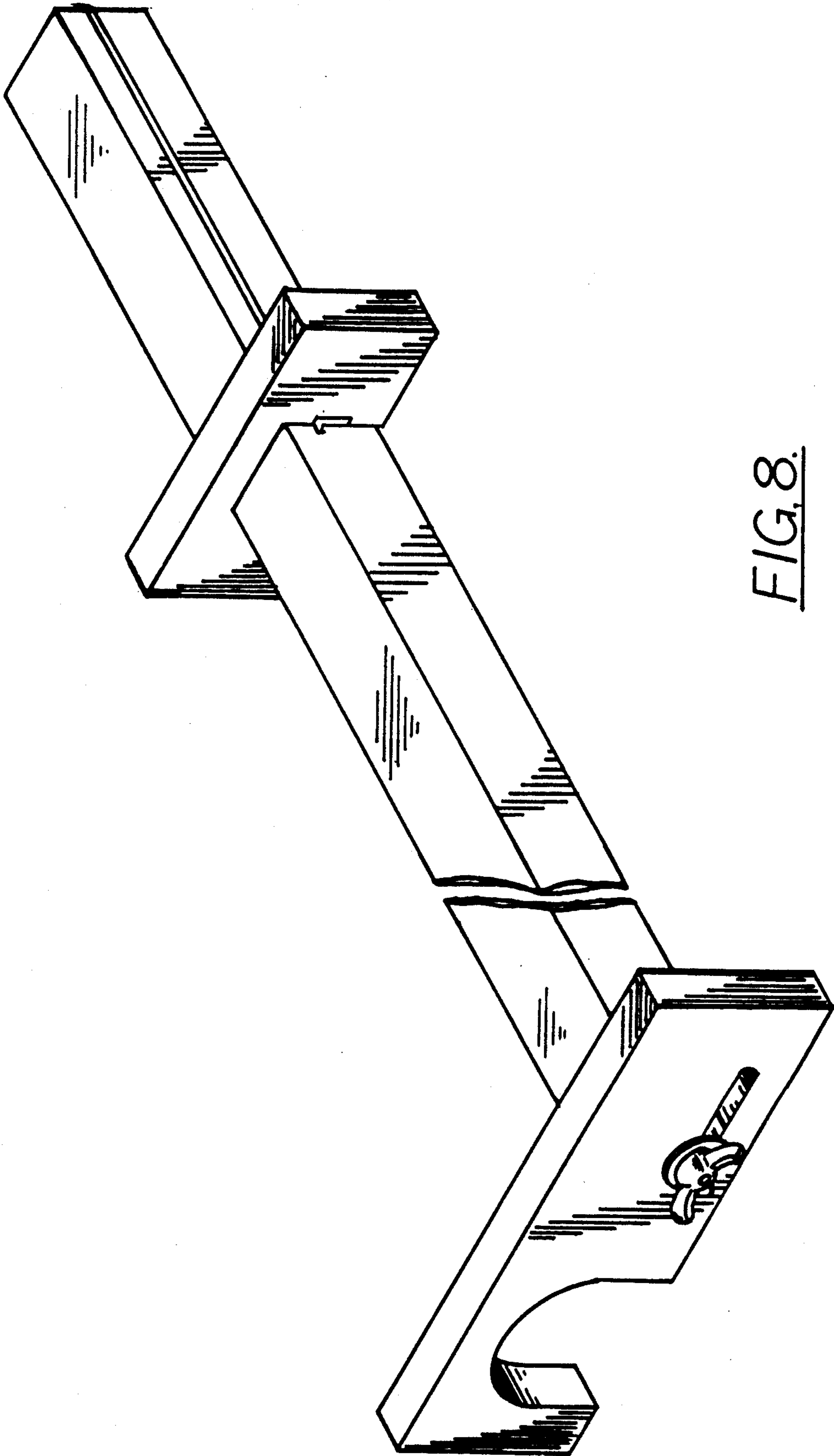


FIG. 8.

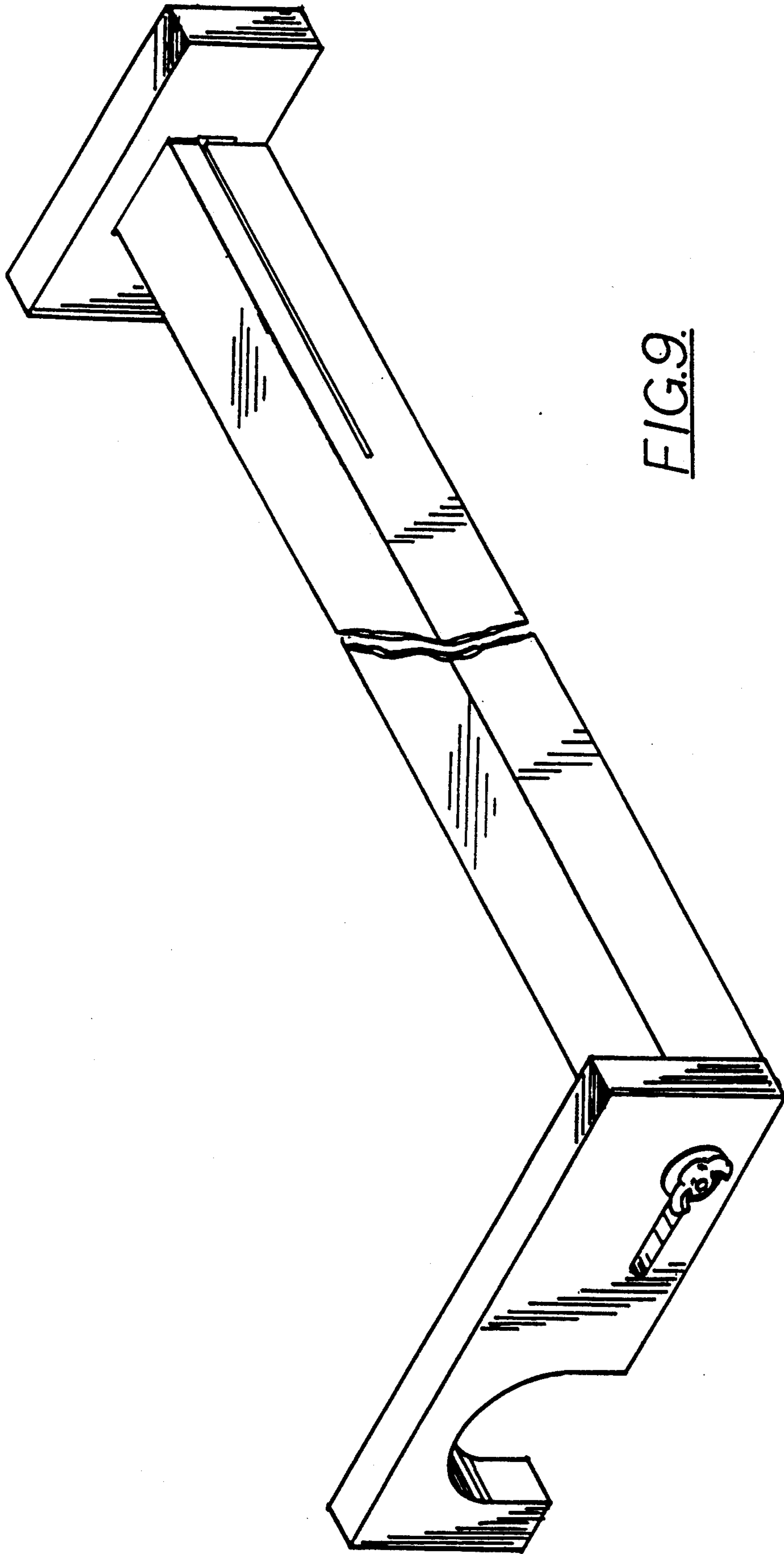


FIG. 9.

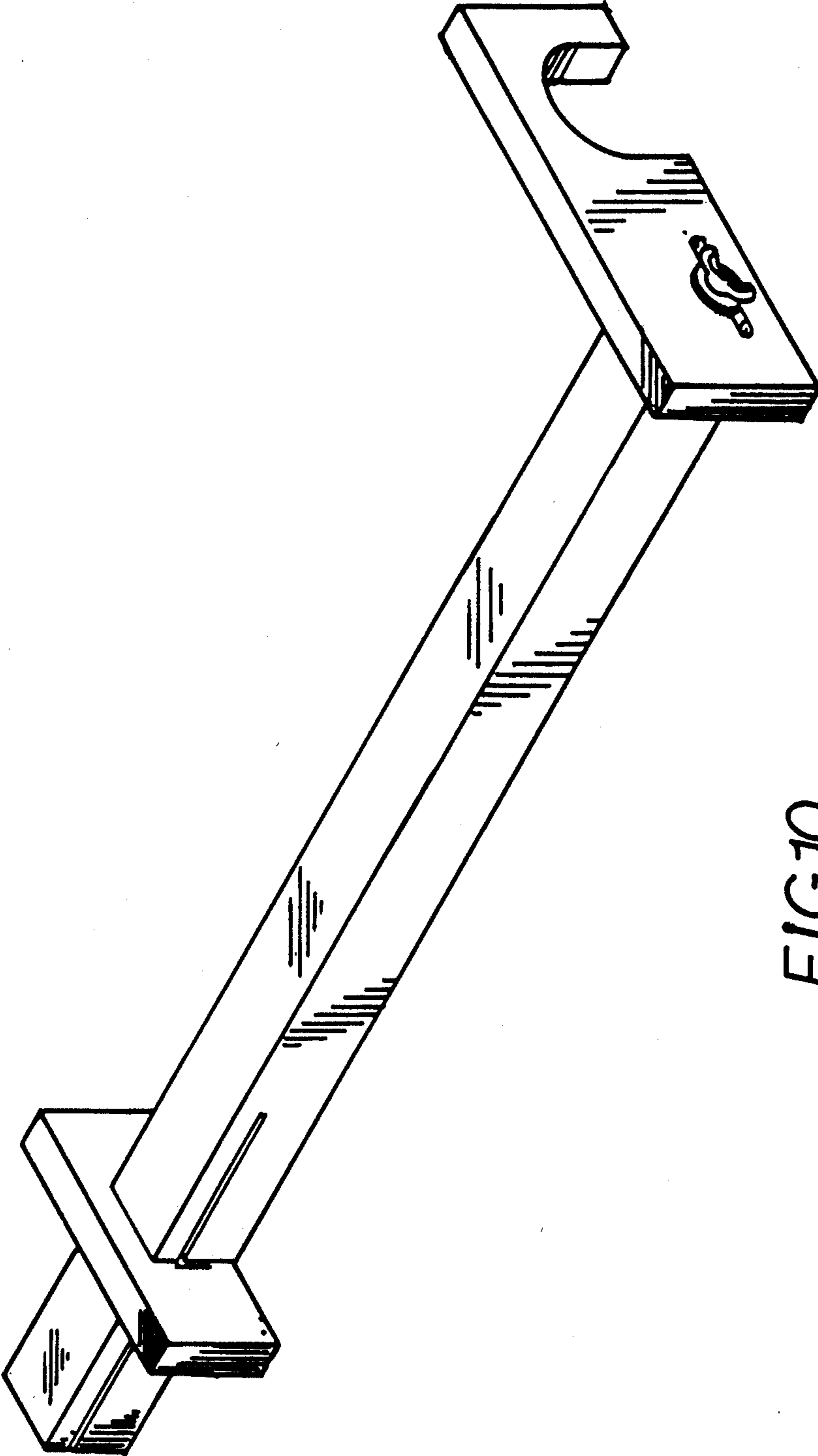


FIG. 10.