



US00D336613S

United States Patent [19]

[11] Patent Number: Des. 336,613

Zutler

[45] Date of Patent: ** Jun. 22, 1993

[54] STACKING CONTAINER

3,244,311	4/1966	Lawson	D9/426 X
3,542,235	11/1970	Hidding	220/339
4,844,263	7/1989	Hadtke	220/23.6 X

[75] Inventor: Aaron Zutler, Woodbury, N.Y.

[73] Assignee: Aaron Zutler, Woodbury, N.Y.

[**] Term: 14 Years

Primary Examiner—Bernard Ansher
Assistant Examiner—Prabhakar Deshmukh
Attorney, Agent, or Firm—Grimes & Battersby

[21] Appl. No.: 456,257

[57] CLAIM

[22] Filed: Dec. 26, 1989

The ornamental design of a stacking container, as shown and described.

[52] U.S. Cl. D9/423

[58] Field of Search D9/414-428,
D9/341, 347; 206/508, 509, 821, 503; 220/4.26,
4.27, 23.6, 23.8, 334-339; D34/40-46

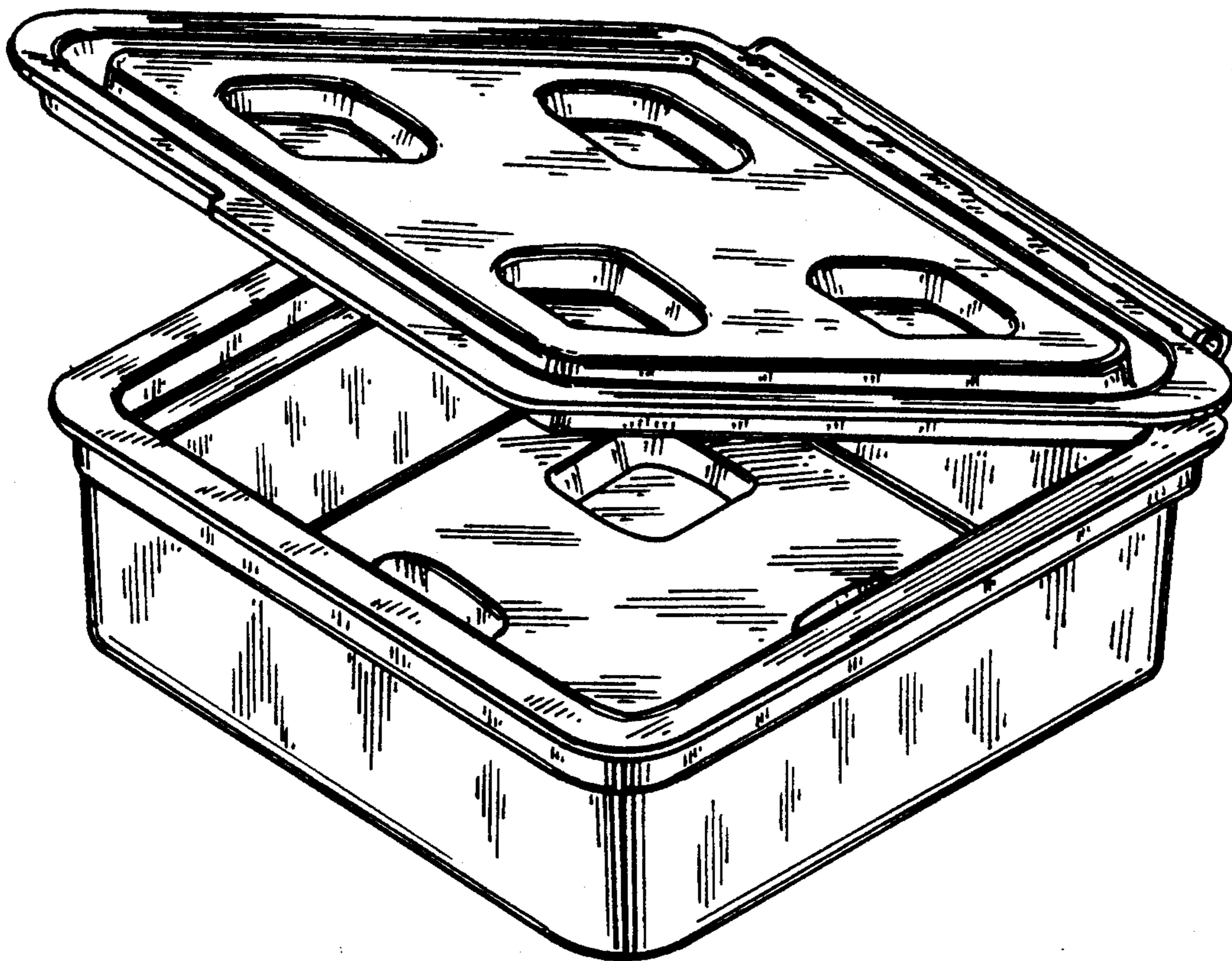
DESCRIPTION

[56] References Cited

U.S. PATENT DOCUMENTS

D. 246,854	1/1978	Baker	D9/341 X
D. 257,528	11/1980	Cherry	D9/431
D. 260,237	8/1981	Fuzere	D9/341
D. 283,487	4/1986	Holewinski et al.	D9/430 X
D. 286,937	11/1986	Schafer	D34/43
3,071,287	1/1963	Gran	D9/426 X

FIG. 1 is a top plan view of a stacking container showing my new design;
FIG. 2 is a right elevational side view thereof;
FIG. 3 is a front elevational view thereof;
FIG. 4 is a bottom plan view thereof;
FIG. 5 is a perspective view thereof;
FIG. 6 is a perspective of an alternative embodiment of a stacking container, the undisclosed left side being a mirror image;
FIG. 7 is a rear elevational view of FIG. 6; and,
FIG. 8 is a bottom plan view of FIG. 6.



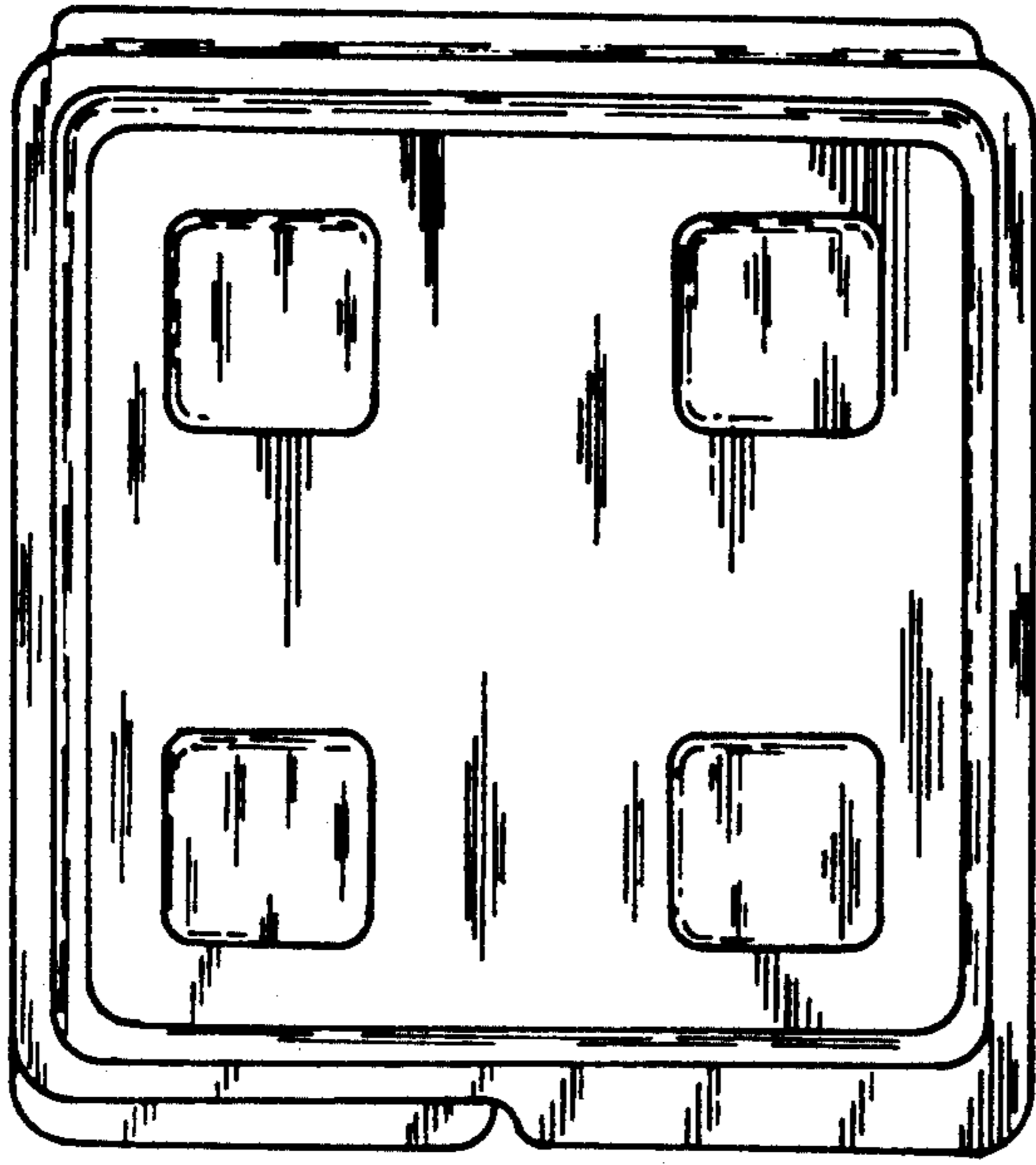


FIG. 1.

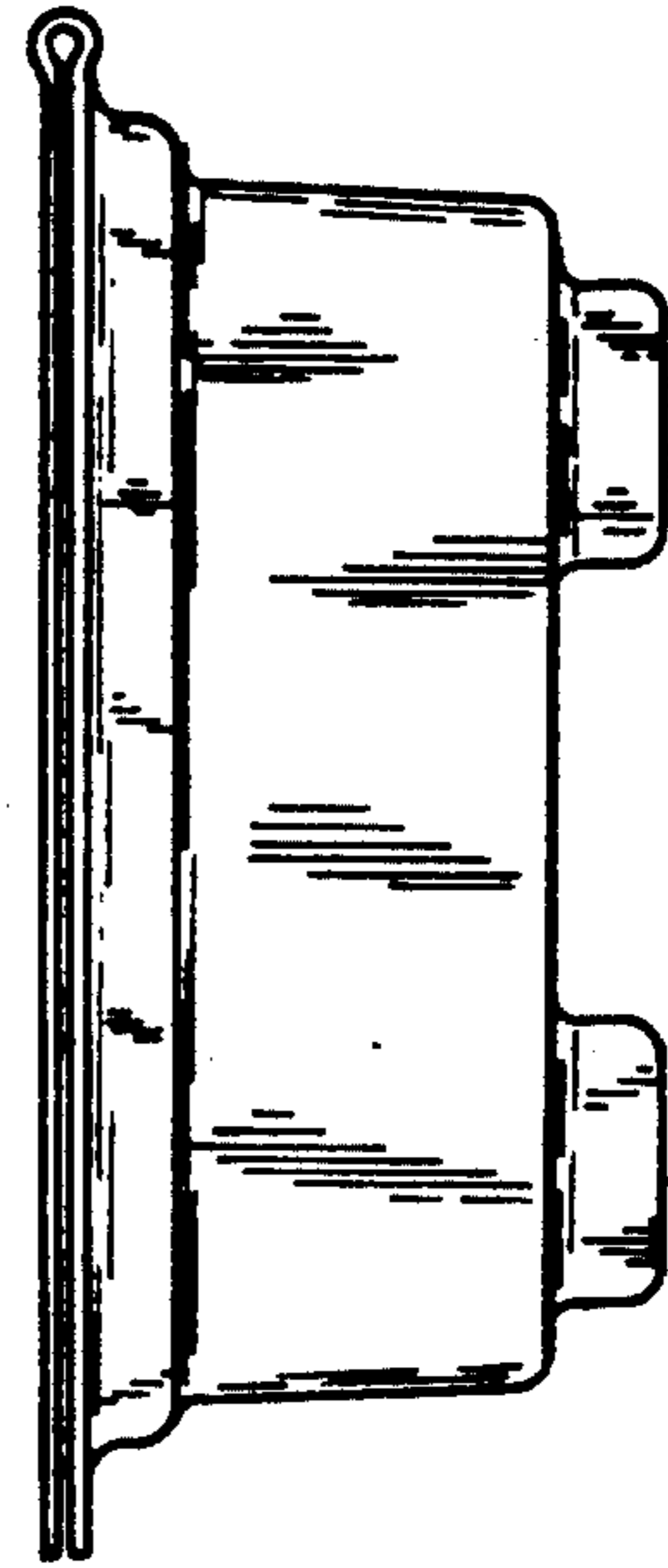


FIG. 2.

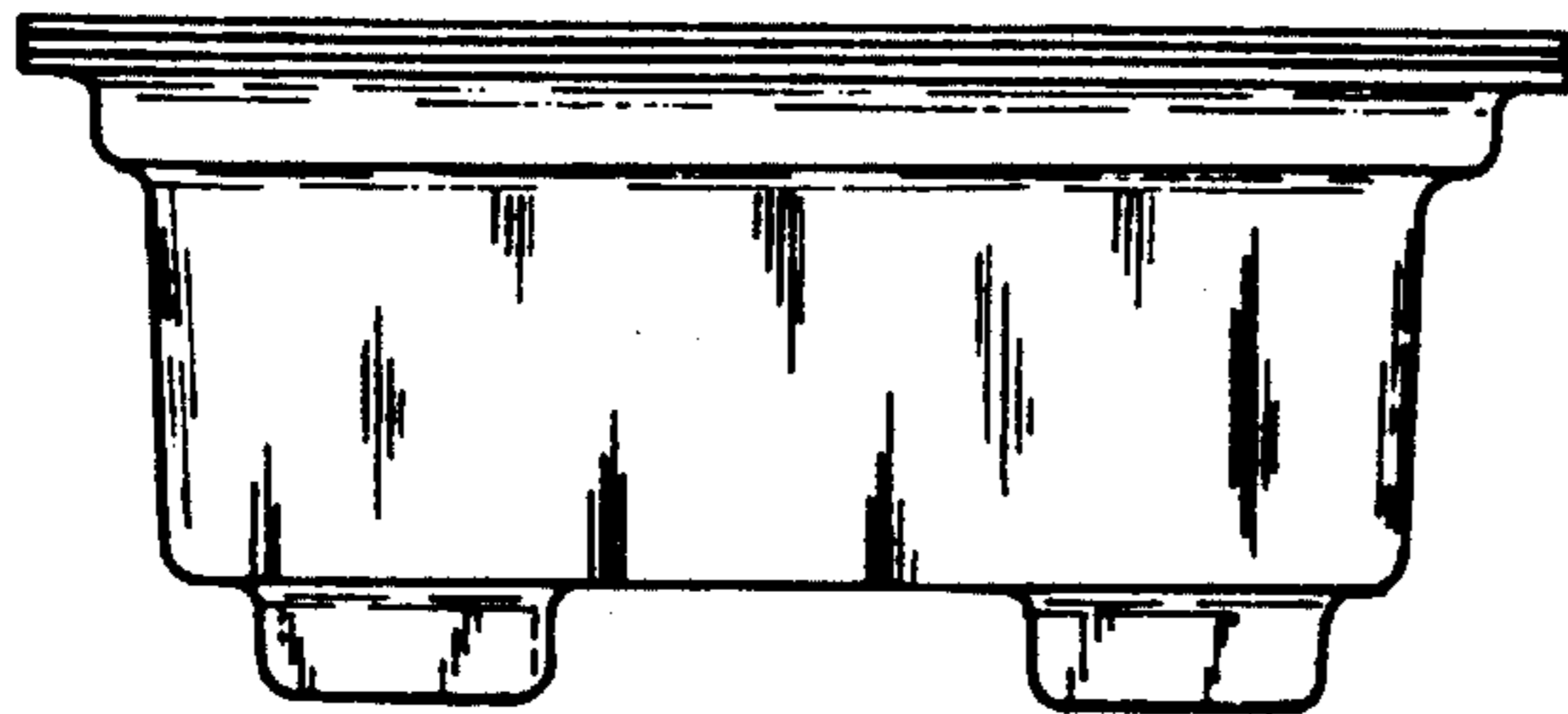


FIG. 3.

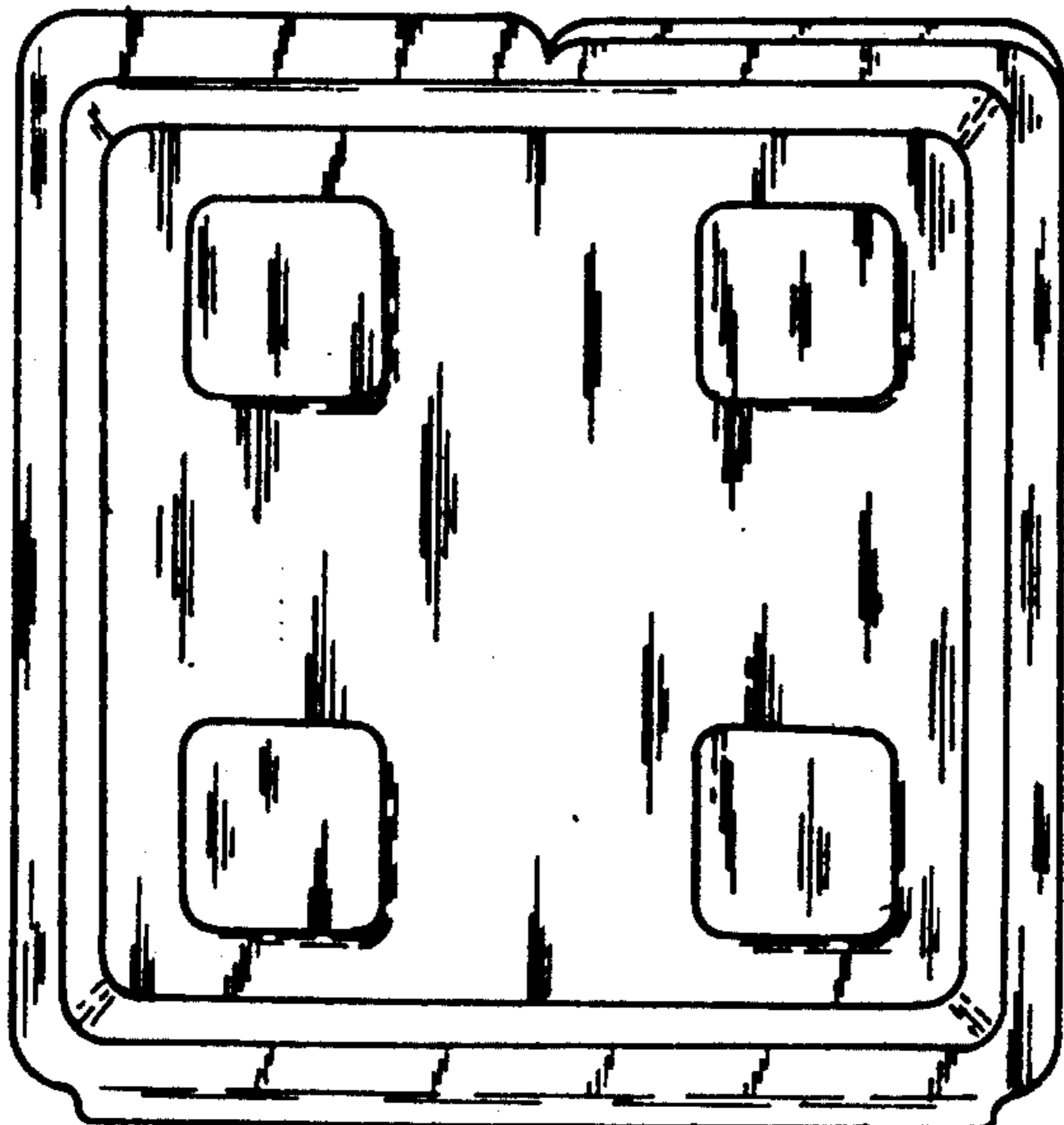


FIG. 4.

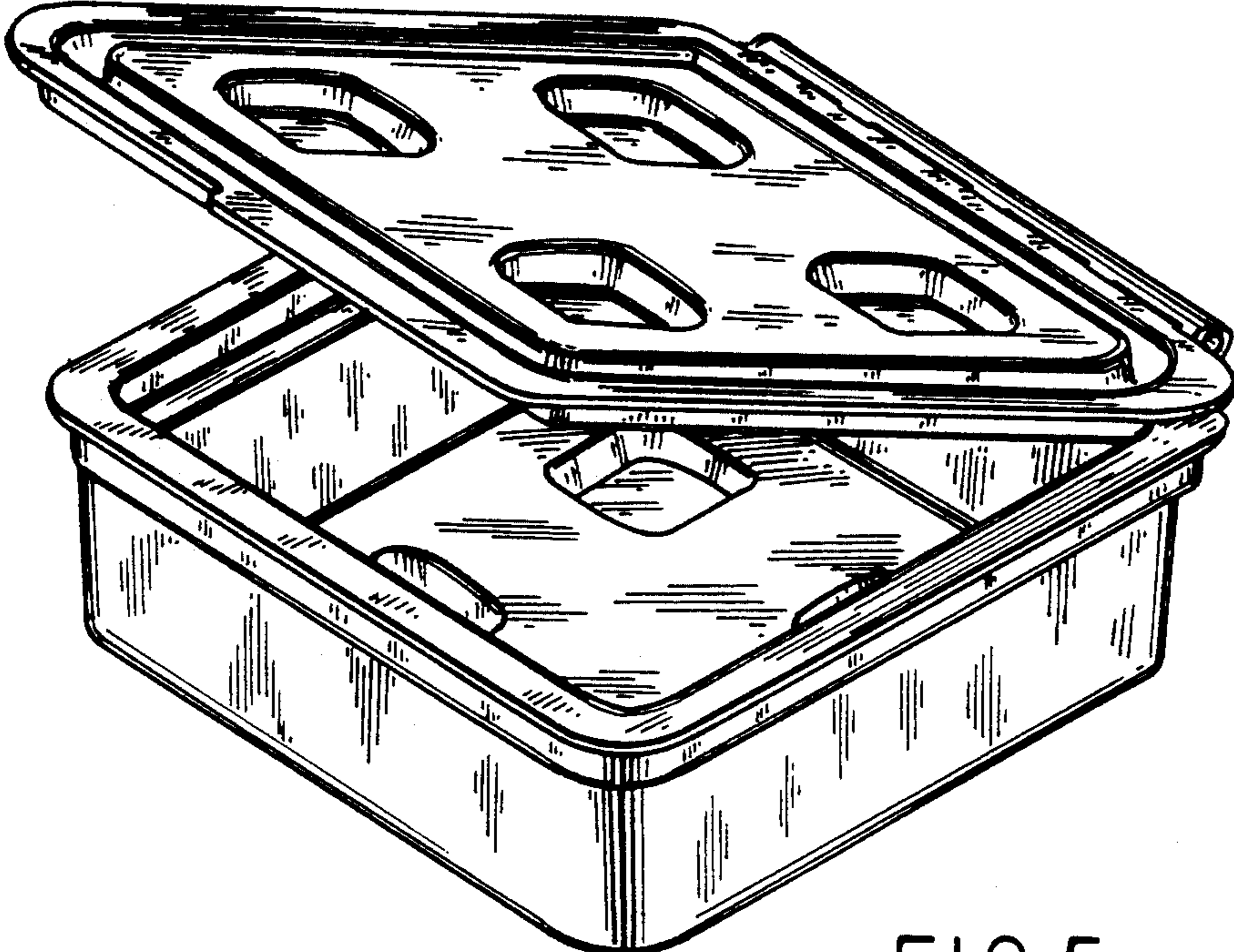


FIG.5

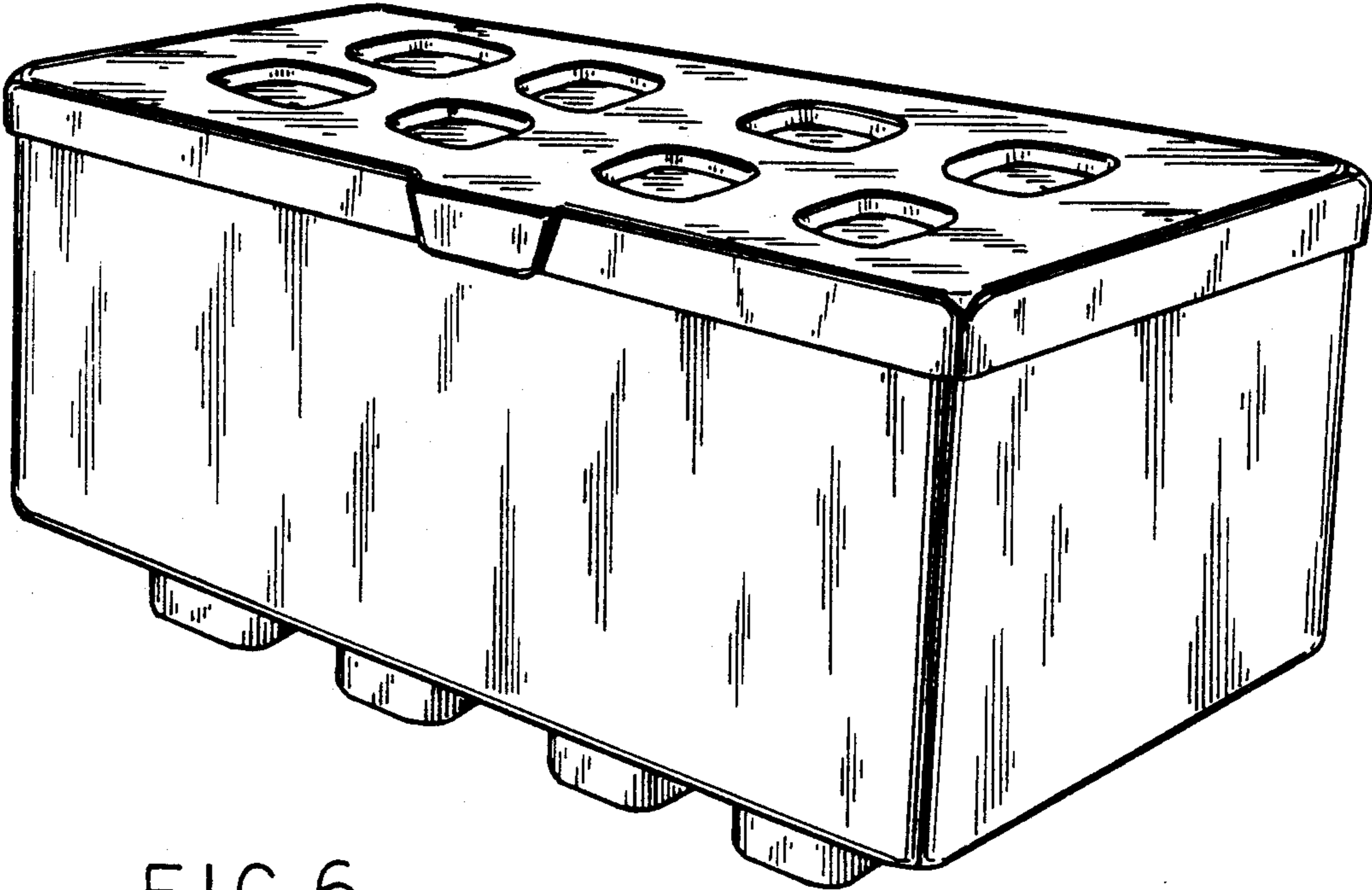


FIG.6

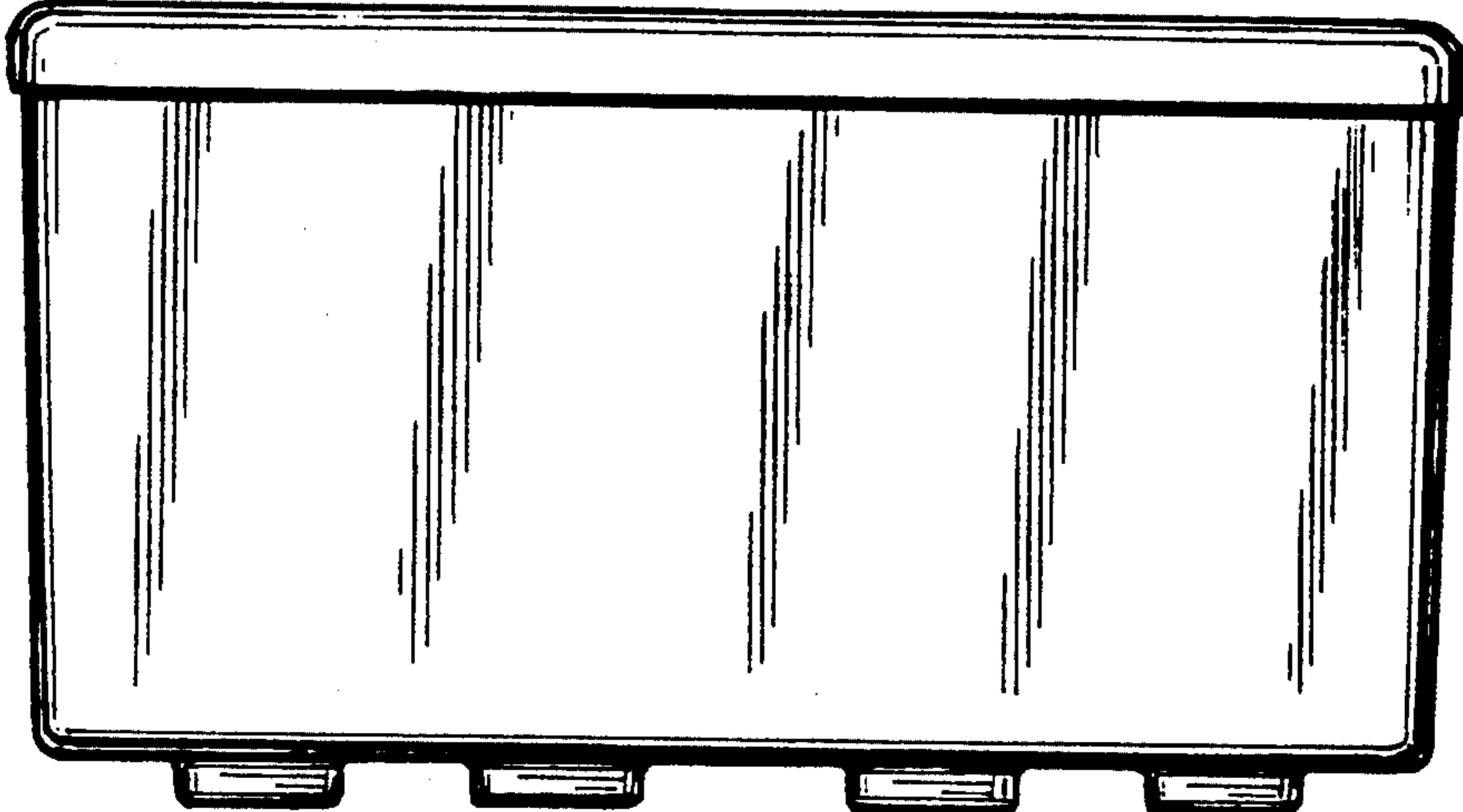


Fig. 7

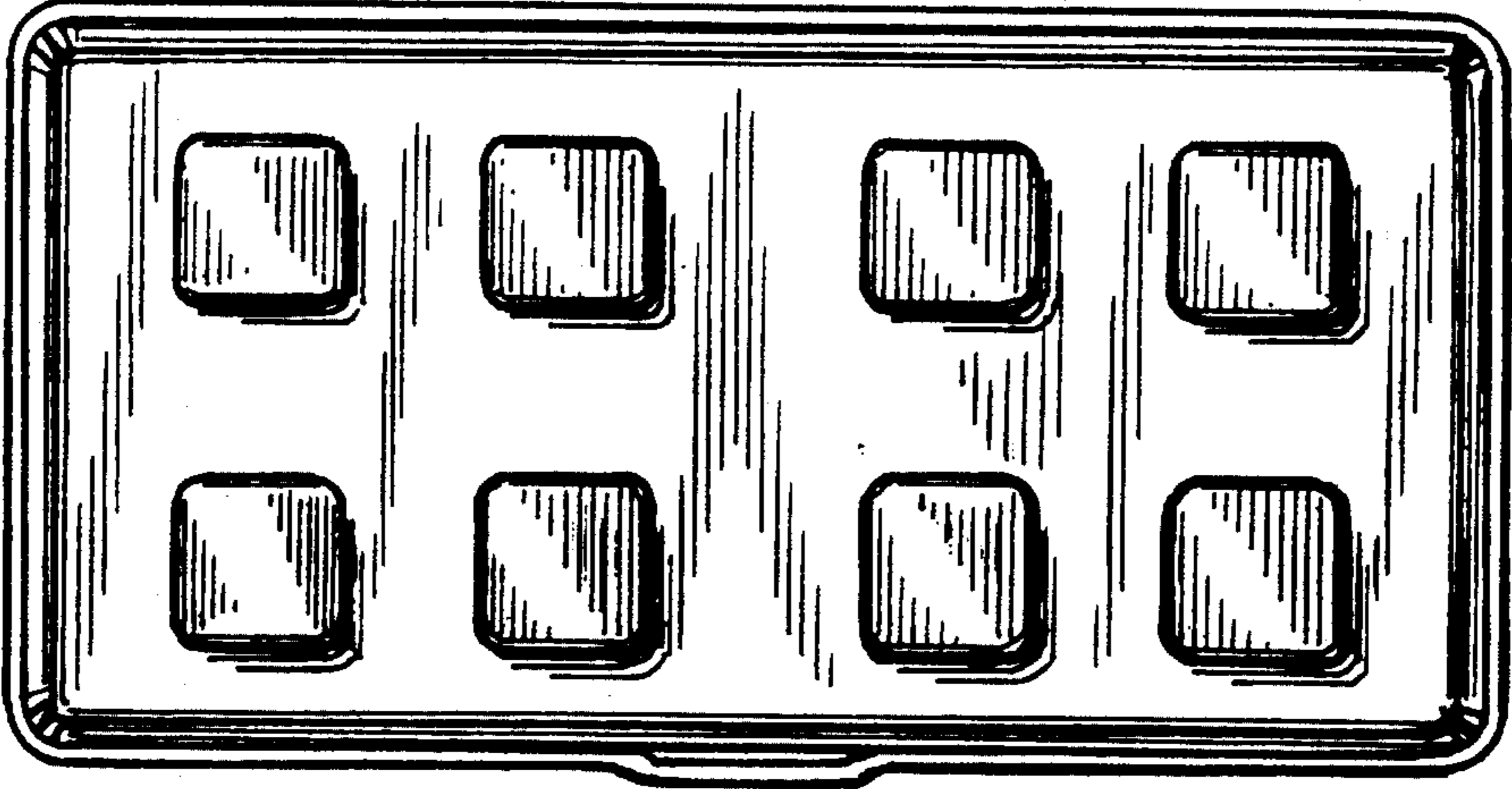


Fig. 8