



US00D336612S

# United States Patent [19]

Miller et al.

[11] Patent Number: **Des. 336,612**

[45] Date of Patent: **\*\* Jun. 22, 1993**

- [54] WATCH BOX
- [75] Inventors: **Paul D. Miller, New York, N.Y.;**  
**Carson Ahlman, Oradell, N.J.**
- [73] Assignee: **E. Gluck Corporation, Long Island**  
**City, N.Y.**
- [\*\*] Term: **14 Years**
- [21] Appl. No.: **858,373**
- [22] Filed: **Mar. 27, 1992**
- [52] U.S. Cl. .... **D9/420; D9/424**
- [58] Field of Search ..... **D9/420-423,**  
**D9/424, 337, 414, 432; D3/39; 206/301, 18, 70,**  
**45.13, 45.14, 45.15, 45.19; 220/334, 337, 339;**  
**D14/147, 148; D10/1, 30**

4,964,526 10/1990 Stephens ..... 220/337 X

### OTHER PUBLICATIONS

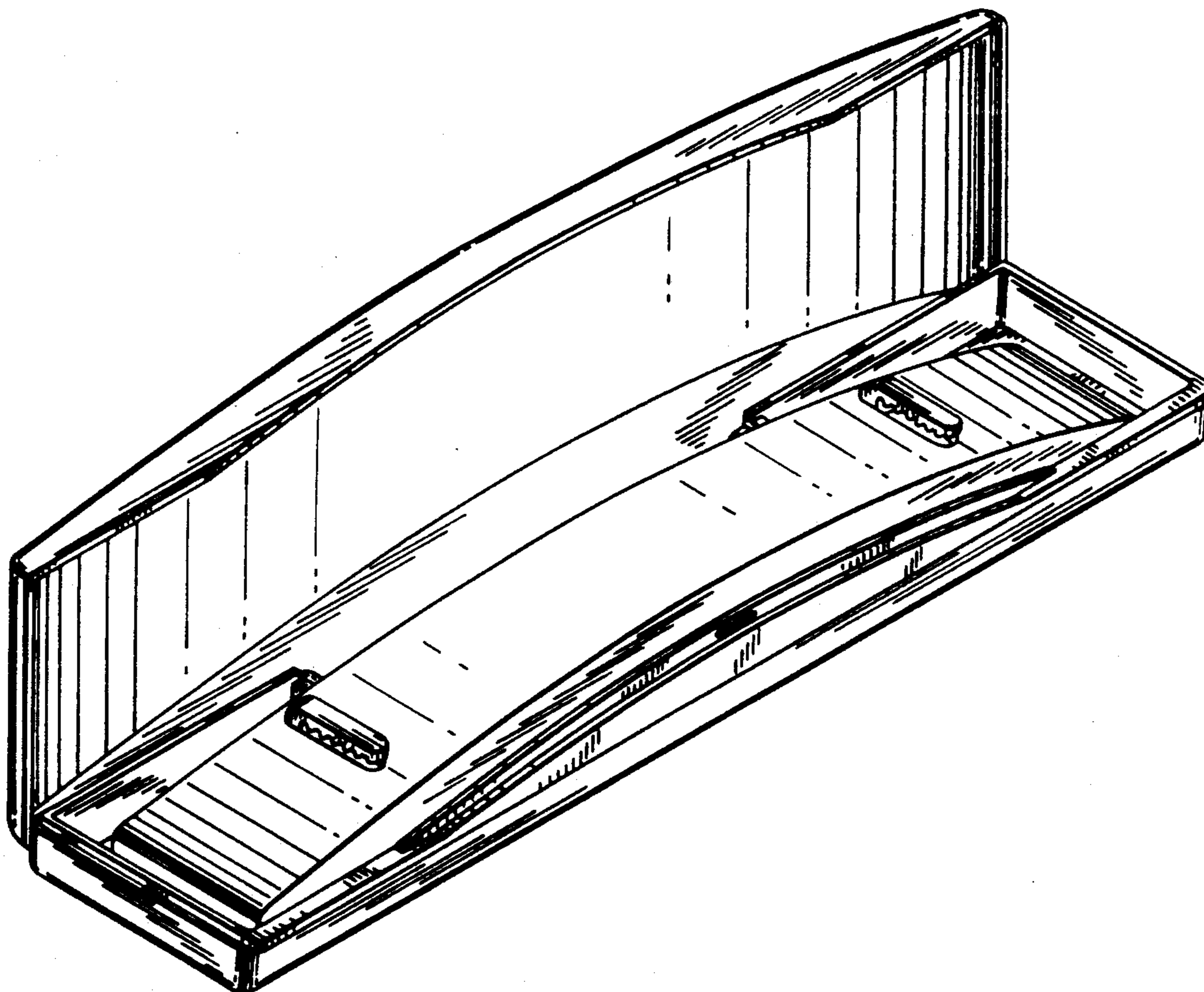
Packaging, 1959, p. 167, Item #518.  
 Packaging, 1959, p. 220, Item #73X.  
*Primary Examiner*—Bernard Ansher  
*Assistant Examiner*—Prabhakar Deshmukh  
*Attorney, Agent, or Firm*—Gottlieb, Rackman &  
 Reisman

- [56] **References Cited**
- U.S. PATENT DOCUMENTS**
- D. 202,936 11/1965 Braun ..... D9/420
- D. 209,629 12/1967 Brockway ..... D9/420
- D. 326,851 6/1992 Solomita et al. .... D14/148 X
- 1,909,020 5/1933 Shields ..... 206/301 X
- 1,966,662 7/1934 Downs et al. .... 206/301 X
- 2,178,652 11/1939 Shields ..... 206/301 X
- 2,288,421 6/1942 Rathbun ..... 206/45.19 X
- 3,930,577 1/1976 Kortick ..... 206/45.13
- 4,693,392 9/1987 Contreras, Sr. .... 220/337 X

[57] **CLAIM**  
 The ornamental design for watch box, as shown and described.

### DESCRIPTION

FIG. 1 is a perspective view of a box showing our new design;  
 FIG. 2 is a top plan view thereof;  
 FIG. 3 is a front elevational view thereof;  
 FIG. 4 is a right side elevational view thereof; the left side elevational view being a mirror image thereof;  
 FIG. 5 is a rear elevational view thereof;  
 FIG. 6 is a bottom plan view thereof;  
 FIG. 7 is a sectional elevational view thereof taken along line 7-7 of FIG. 6; and,  
 FIG. 8 is a perspective view thereof; shown in an open condition for clarity of illustration.



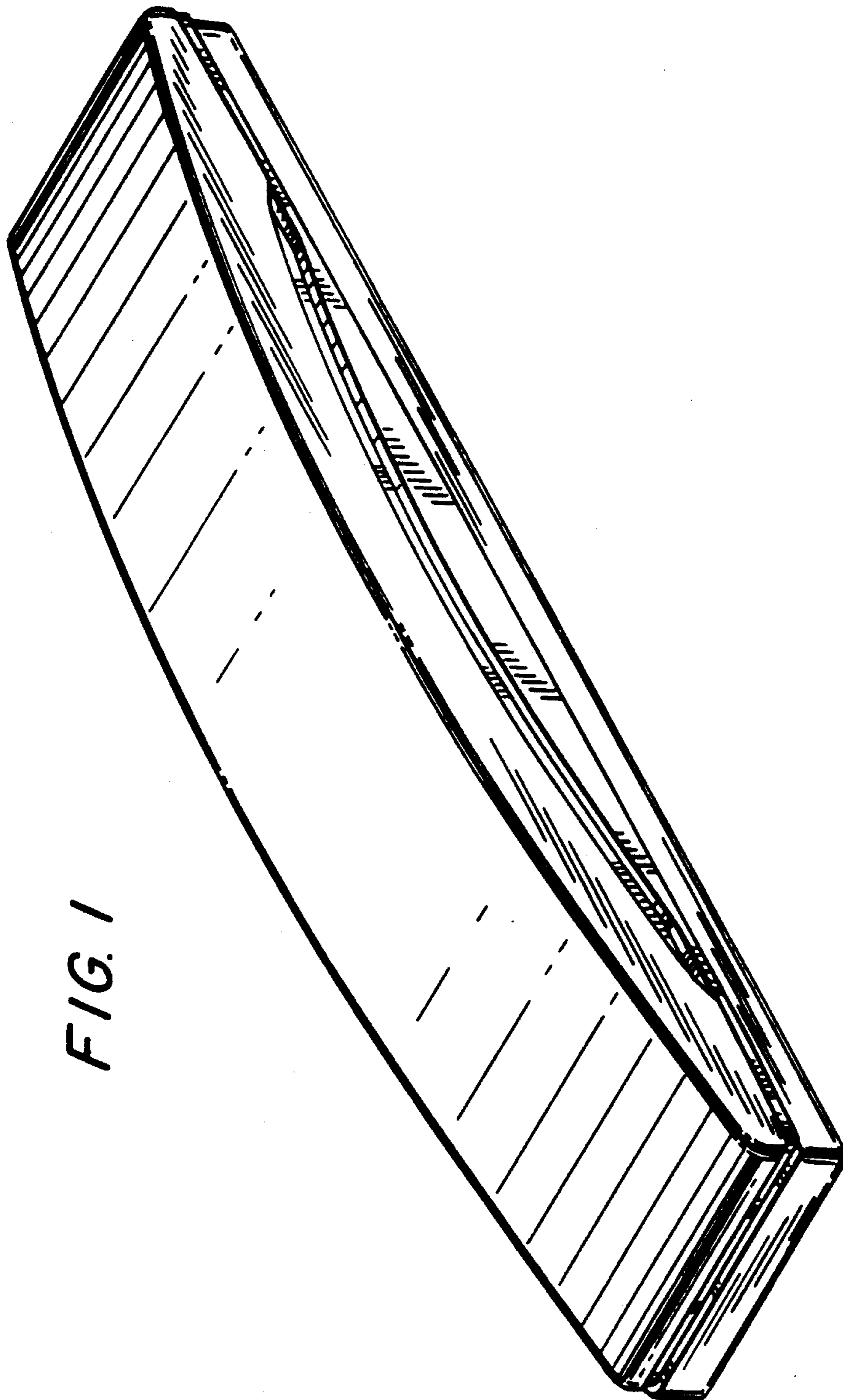


FIG. 1

FIG. 2

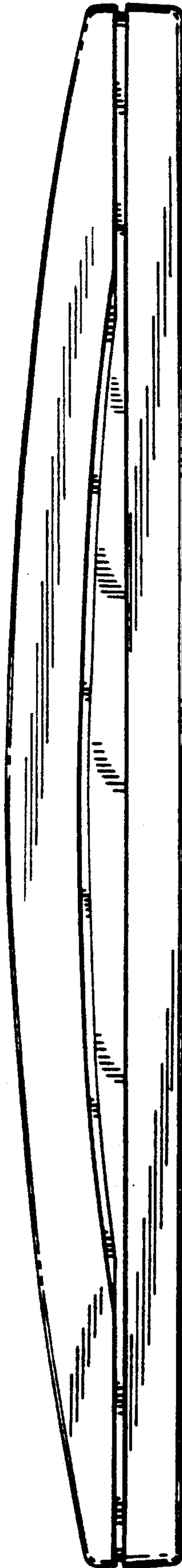
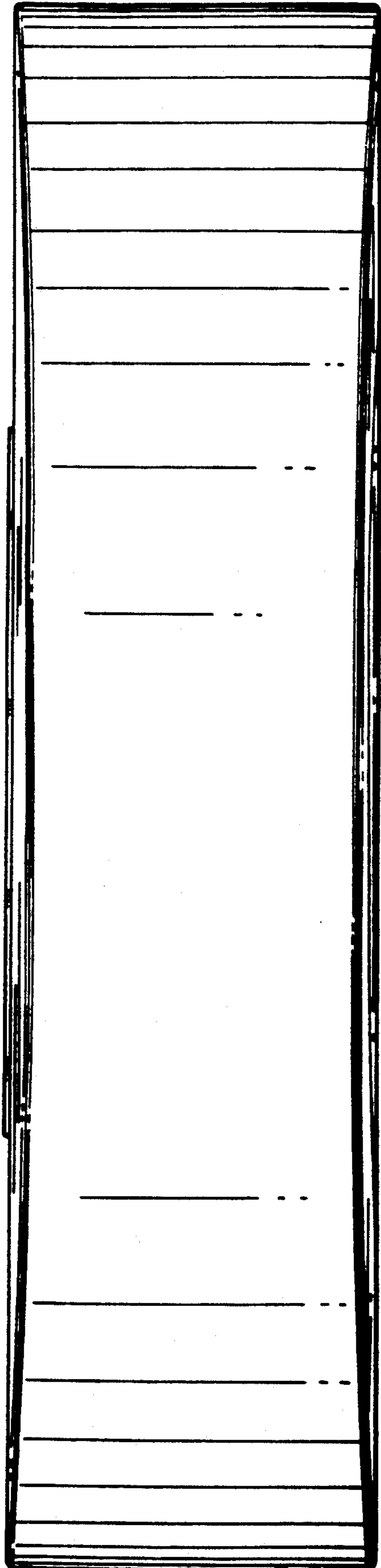


FIG. 3

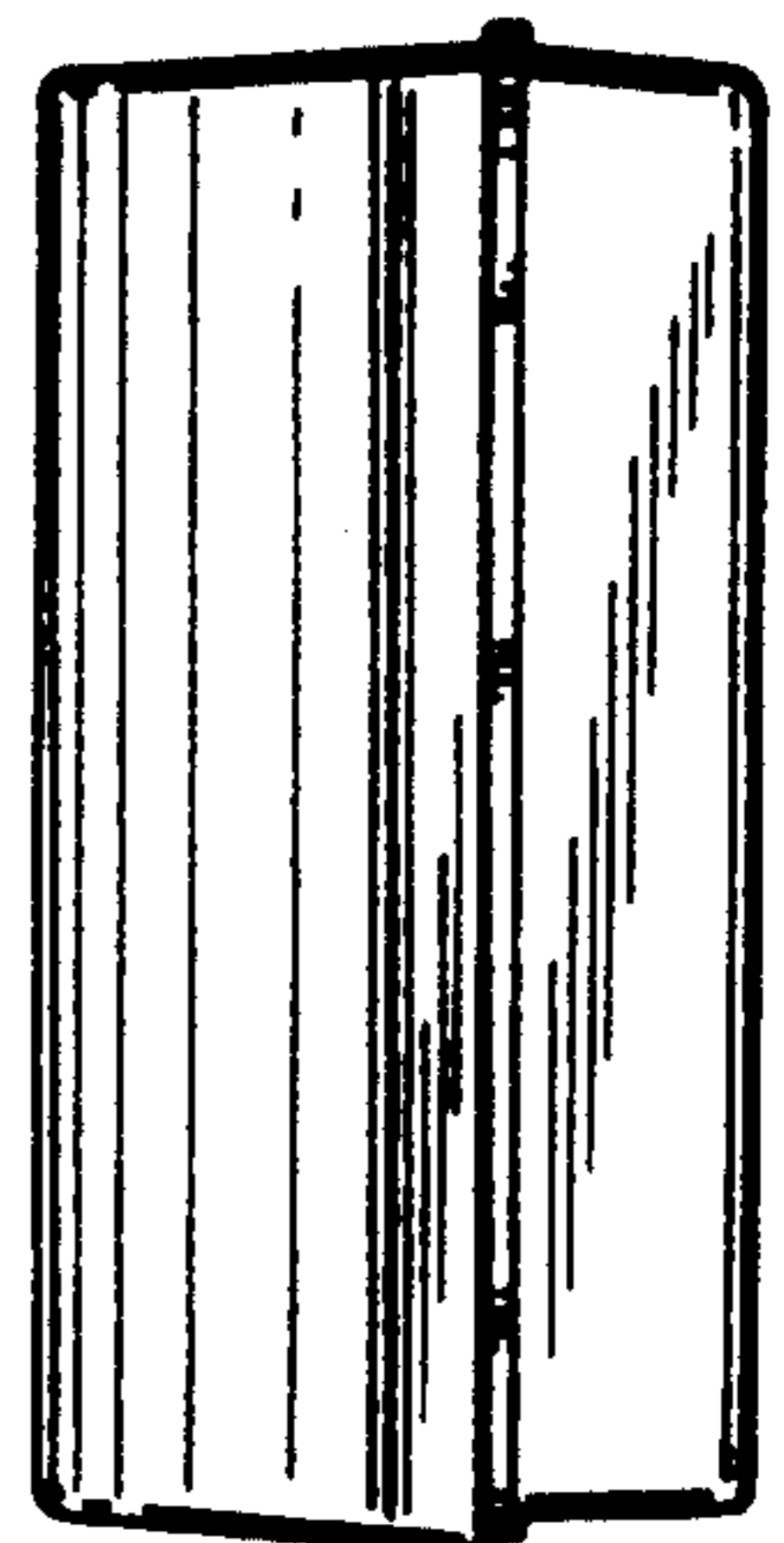


FIG. 4

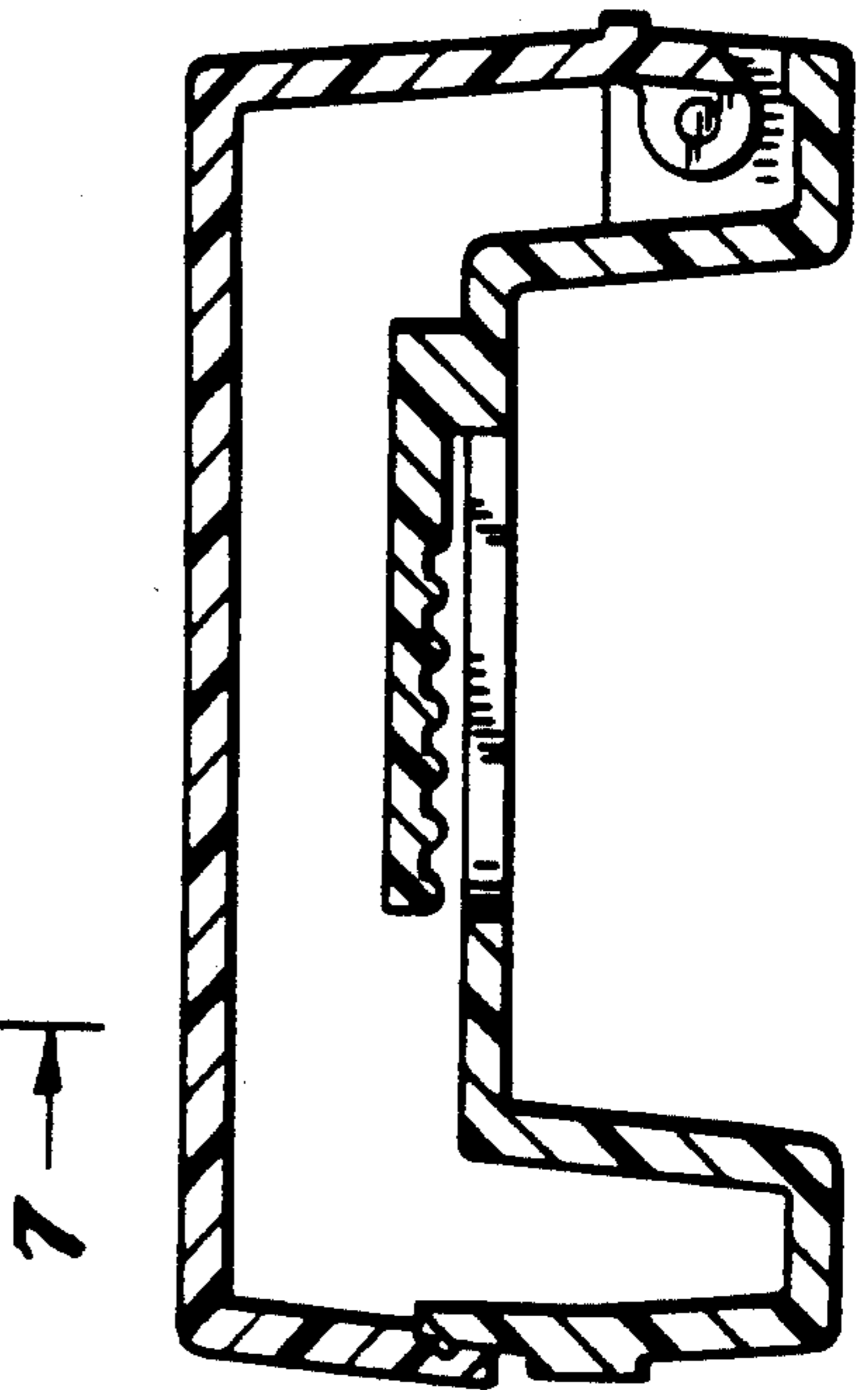
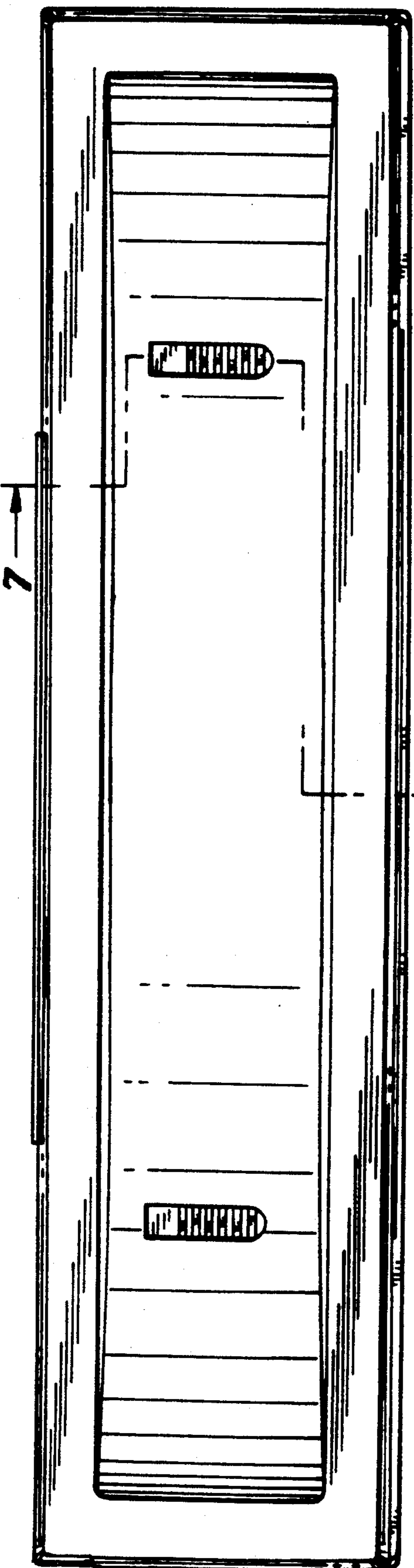
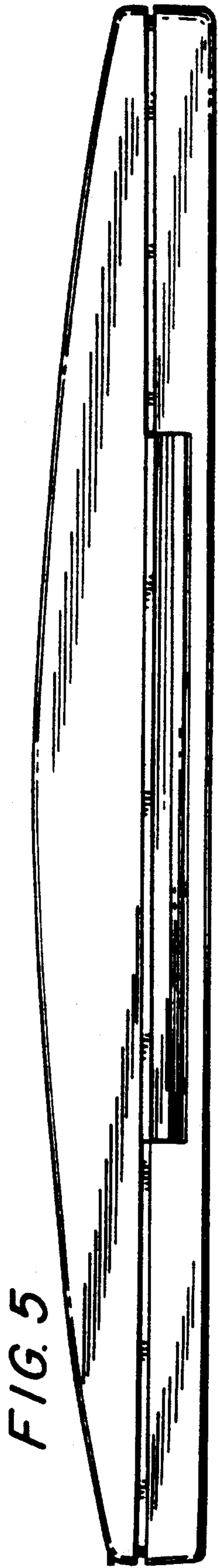


FIG. 5

FIG. 6

FIG. 7

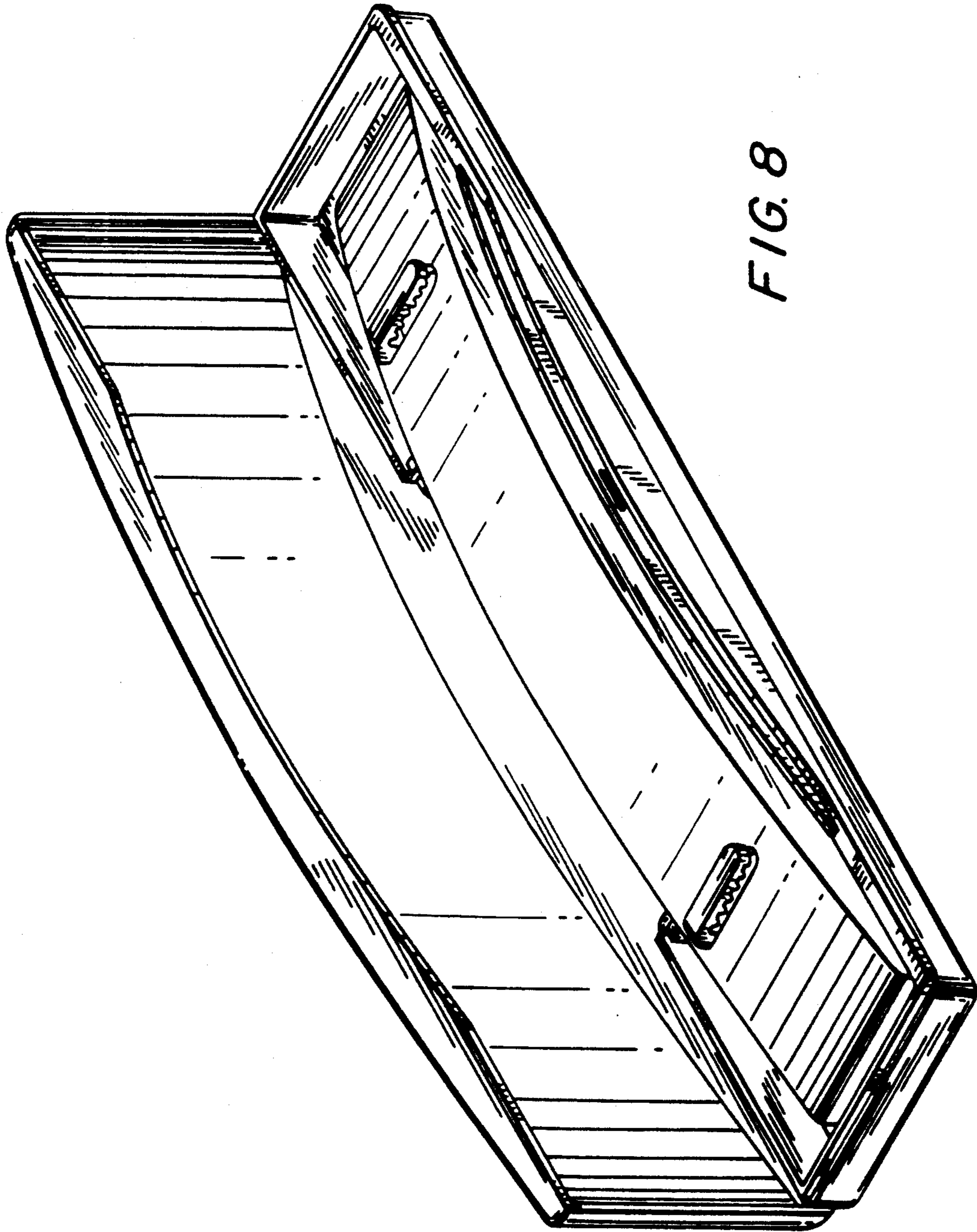


FIG. 8