



US00D336609S

United States Patent [19]

[11] Patent Number: Des. 336,609

Baier

[45] Date of Patent: ** Jun. 22, 1993

[54] DISPENSER

4,131,195 12/1978 Worrell .
4,244,493 1/1981 Harrison .
4,817,790 4/1989 Porat .

[76] Inventor: Rose Baier, P.O. Box 87, Seeley Lake, Mont. 59868

FOREIGN PATENT DOCUMENTS

[**] Term: 14 Years

248951 7/1963 Netherlands .
2125043 8/1982 United Kingdom .

[21] Appl. No.: 612,874

[22] Filed: Nov. 14, 1990

Primary Examiner—Bernard Ansher
Assistant Examiner—Mitchell I. Siegel
Attorney, Agent, or Firm—Terry M. Gernstein

[52] U.S. Cl. D9/339; D6/515; D20/1; D20/42

[58] Field of Search D9/339, 417, 418; D6/515, 517, 559; D20/1, 2, 8, 17, 42, 99; 221/12, 303-312, 191, 194; 206/0.8, 44.12, 803

[57] CLAIM

The ornamental design for a dispenser, as shown and described.

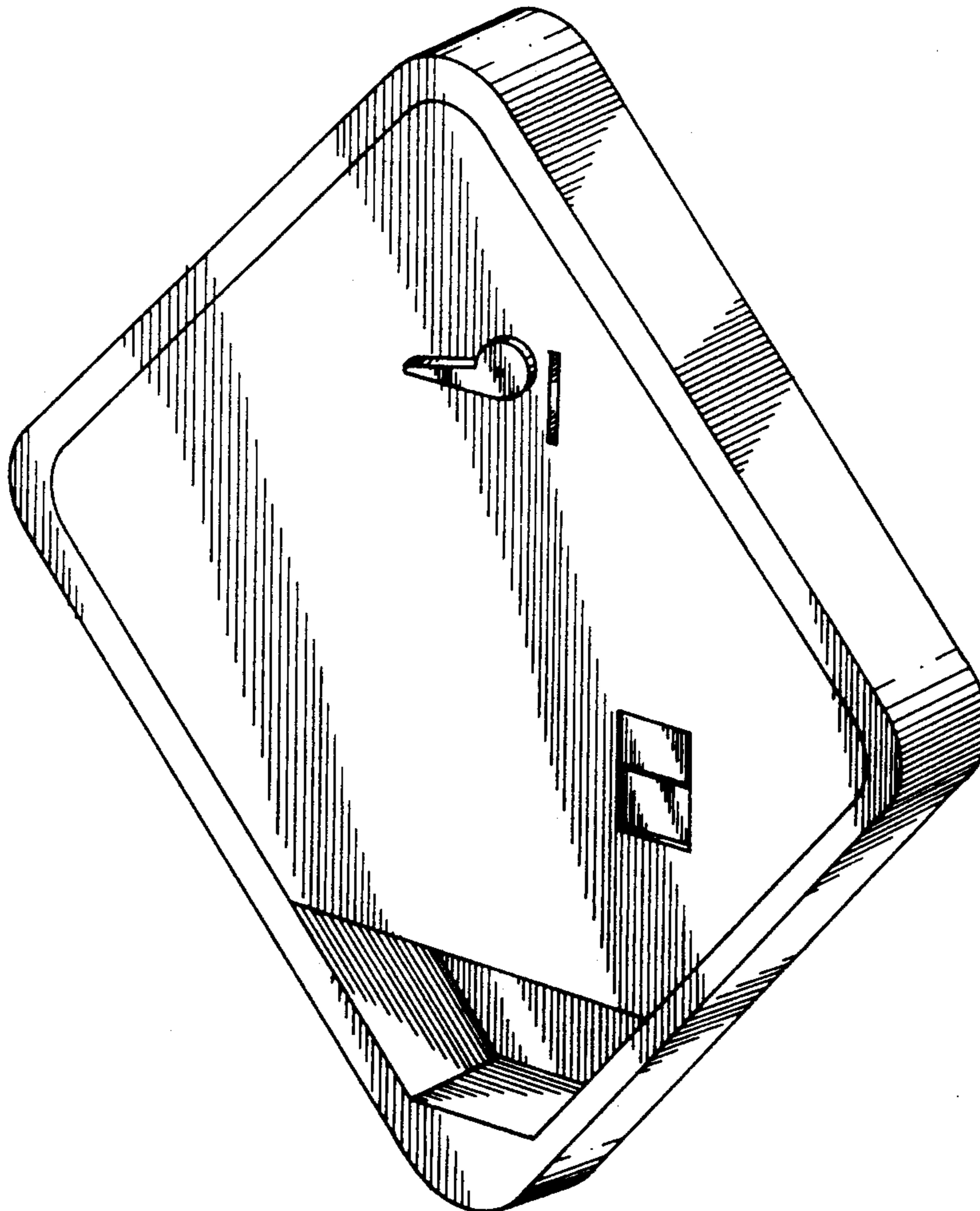
[56] References Cited

DESCRIPTION

U.S. PATENT DOCUMENTS

D. 248,693	7/1978	Houseman	D20/1
D. 259,858	7/1981	Finkel	D9/418
D. 264,353	5/1982	McDaniel	D20/8 X
D. 264,752	6/1982	Leotta	D6/515
D. 298,512	11/1988	Gotlib	D9/339
D. 327,191	6/1992	Brown et al.	D6/515
3,749,296	7/1973	Harrison	

FIG. 1 is a right front perspective view of a dispenser showing my new design;
FIG. 2 is a front elevational view thereof;
FIG. 3 is a rear elevational view thereof;
FIG. 4 is a right side elevational view thereof; and,
FIG. 5 is a left side elevational view thereof.
Undisclosed top and bottom plan views are plain and unornamental.



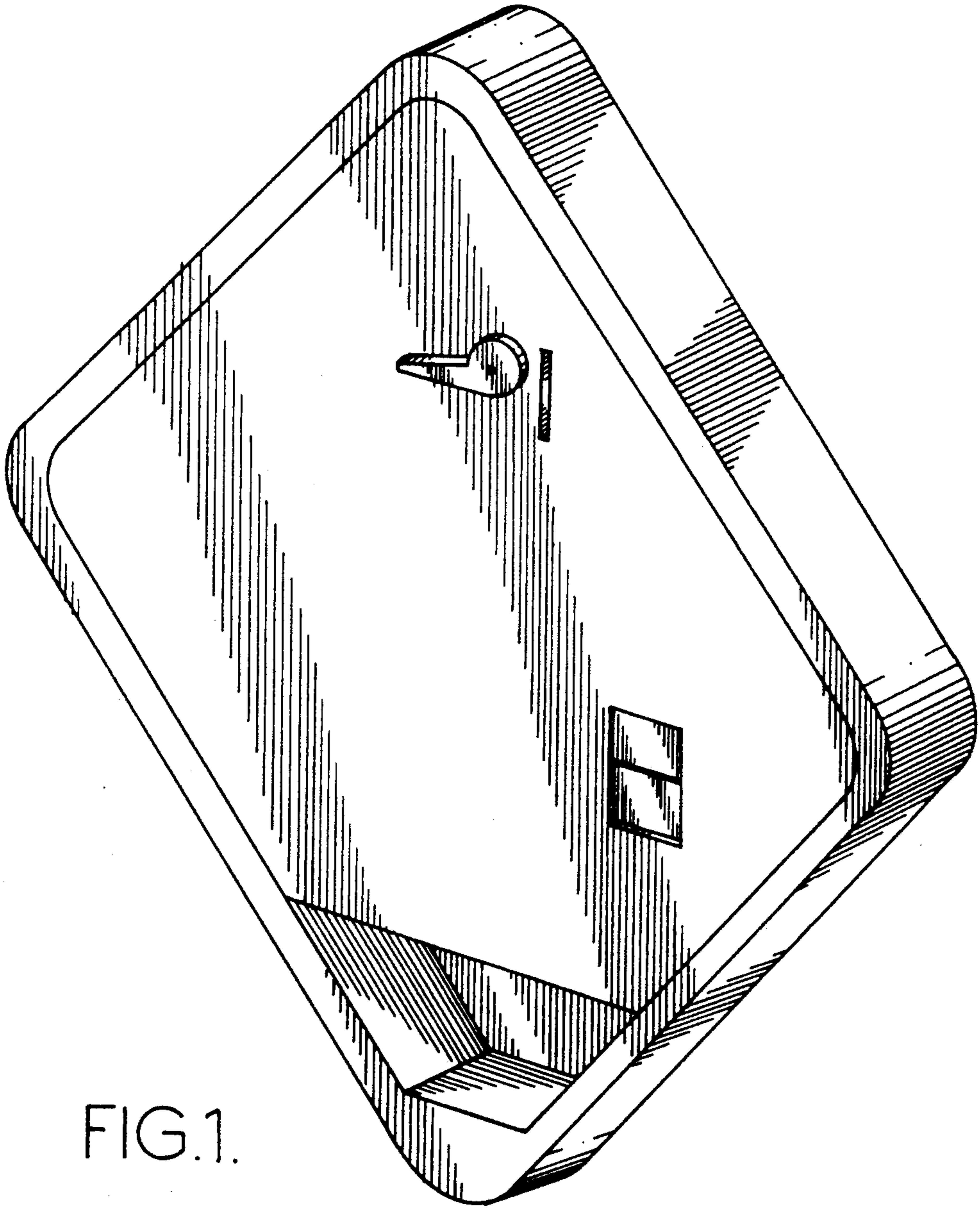


FIG.1.

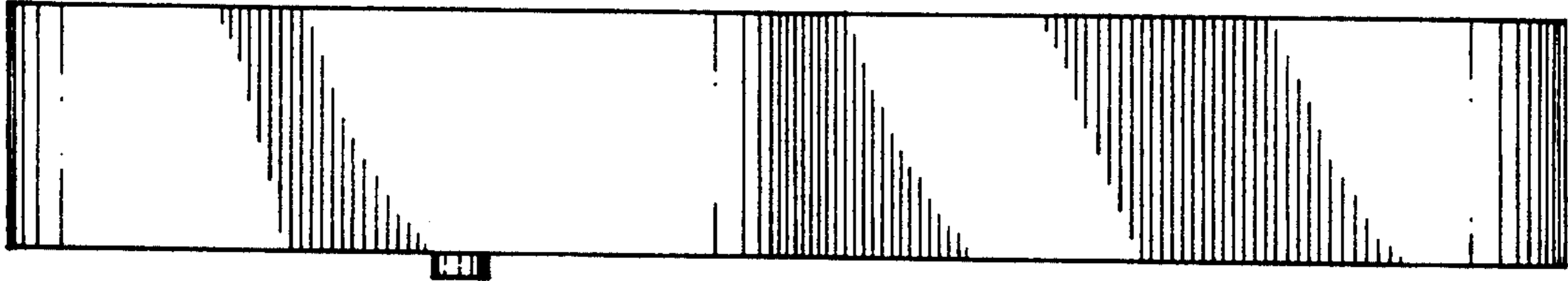


FIG. 4.

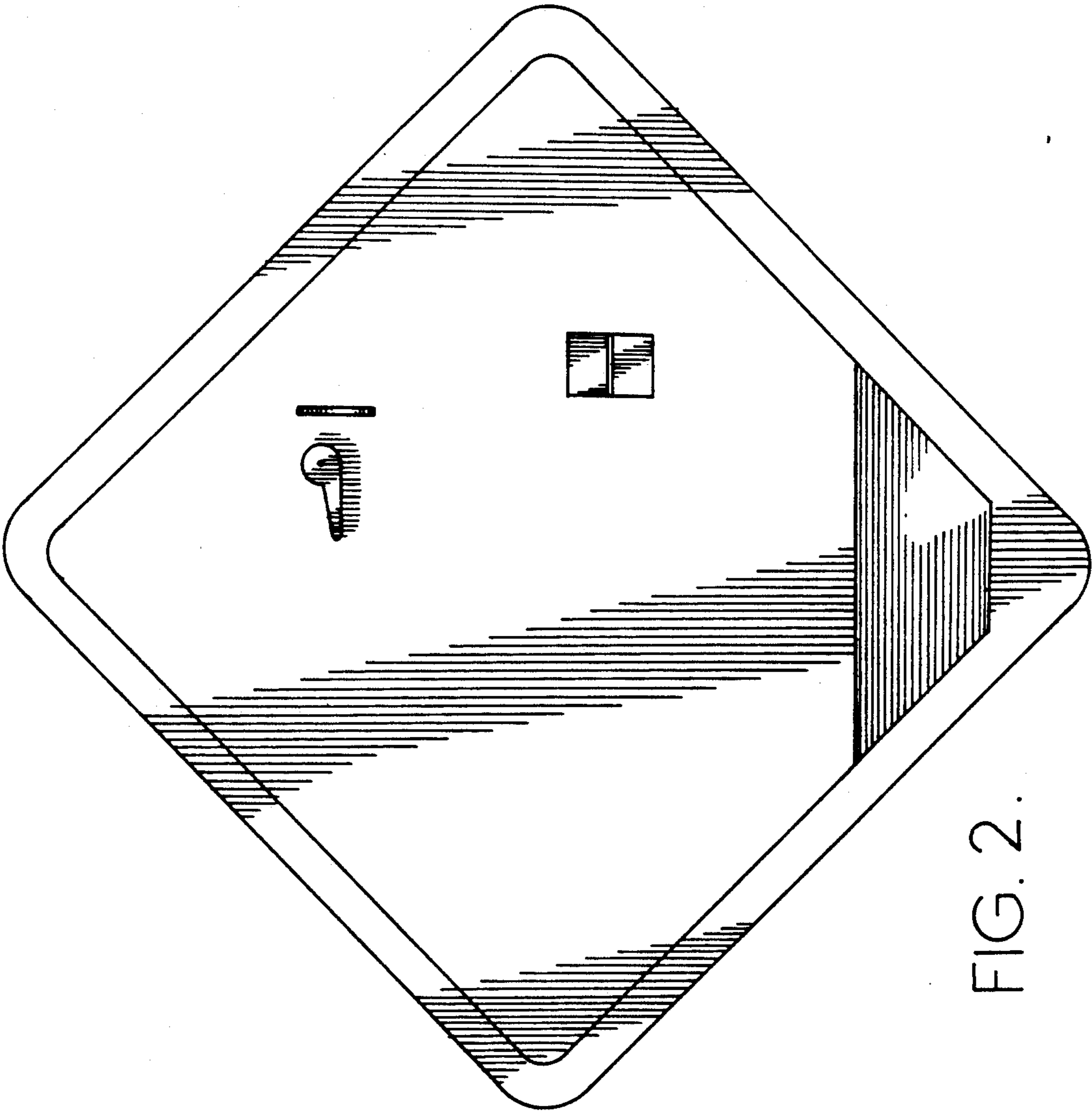


FIG. 2.

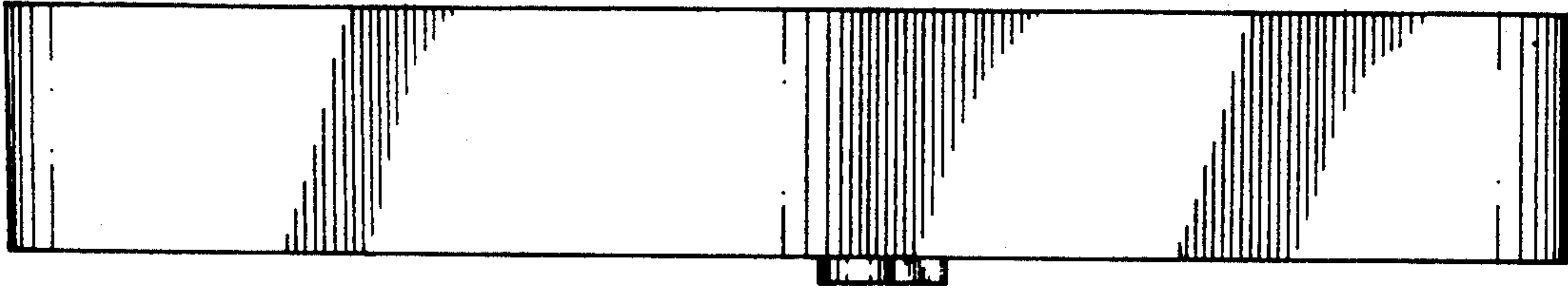


FIG. 5.

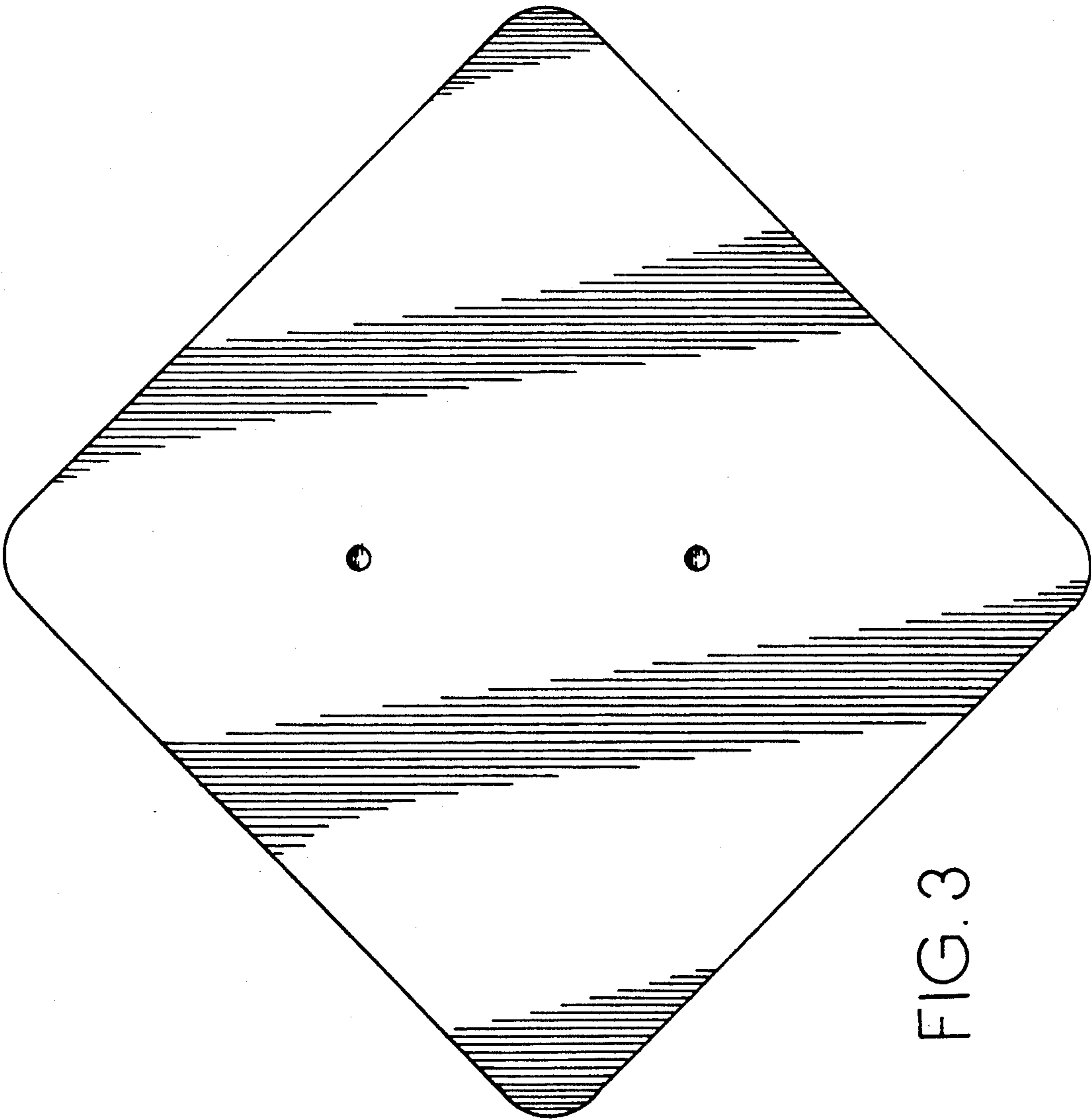


FIG. 3