



US00D336605S

United States Patent [19]

[11] Patent Number: **Des. 336,605**

Lemmerman et al.

[45] Date of Patent: **** Jun. 22, 1993**

[54] SHELF ASSEMBLY FOR VIDEO CASSETTE DISPLAY

[75] Inventors: **Marvin C. Lemmerman, Renton;**
Robert J. Petersen, Mercer Island,
both of Wash.

[73] Assignee: **Innovative Display Associates, Inc.,**
Renton, Wash.

[**] Term: **14 Years**

[21] Appl. No.: **573,660**

[22] Filed: **Aug. 27, 1990**

[52] U.S. Cl. **D8/381; D6/572;**
D8/380

[58] Field of Search **D6/572, 511, 509, 574;**
211/134, 135, 153; **D8/380, 381; 248/220.2,**
220.3, 220.4

[56] **References Cited**

U.S. PATENT DOCUMENTS

D. 286,156	10/1986	Mastrodicasa	D8/381
3,400,829	10/1968	Youngson	211/153 X
4,437,572	3/1984	Hoffman	211/153 X
4,533,056	8/1985	Krikorian	211/134 X
4,658,969	4/1987	Mastrodicasa	211/153 X
4,669,692	6/1987	Mastrodicasa	211/134 X

Primary Examiner—Alan P. Douglas
Assistant Examiner—Monica A. Hannon
Attorney, Agent, or Firm—Christopher John Rudy

[57] **CLAIM**

The ornamental design for a shelf assembly for video cassette display, as shown and described.

DESCRIPTION

FIG. 1 is a top view of a supporting bracket for the shelf assembly for video cassette display preferably embodying our design;
FIG. 2 is a side view of said bracket;
FIG. 3 is a front view of said bracket; and,
FIG. 4 is a back view of said bracket.

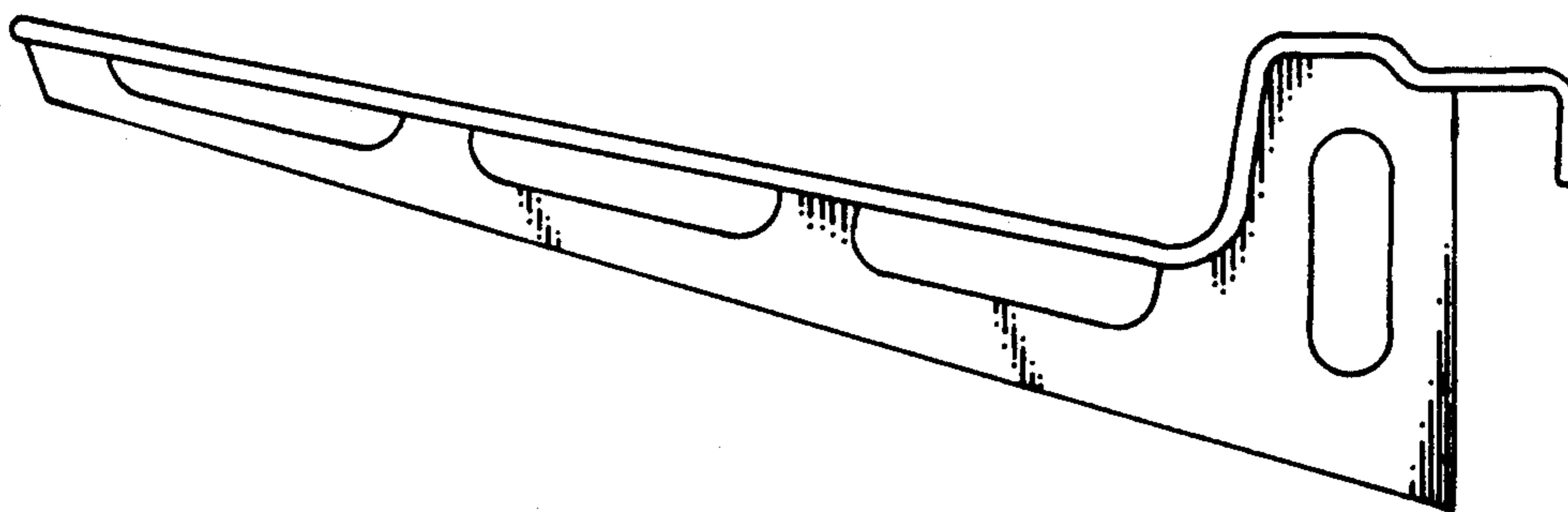


Fig. 1



Fig. 2

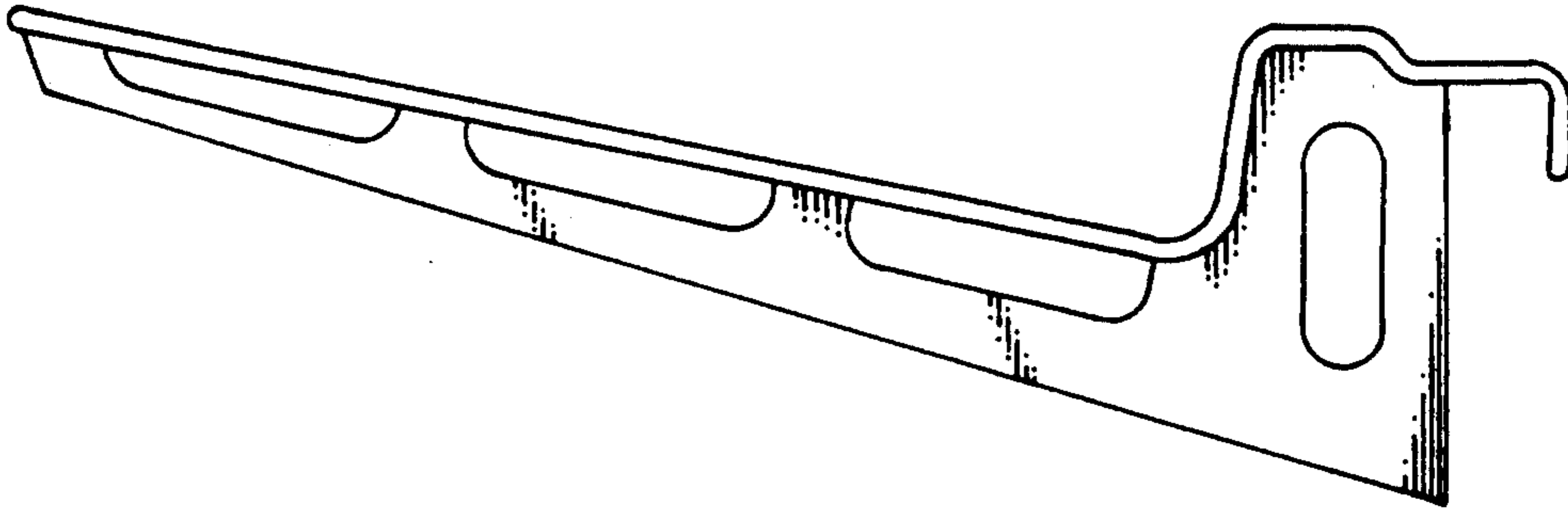


Fig. 3

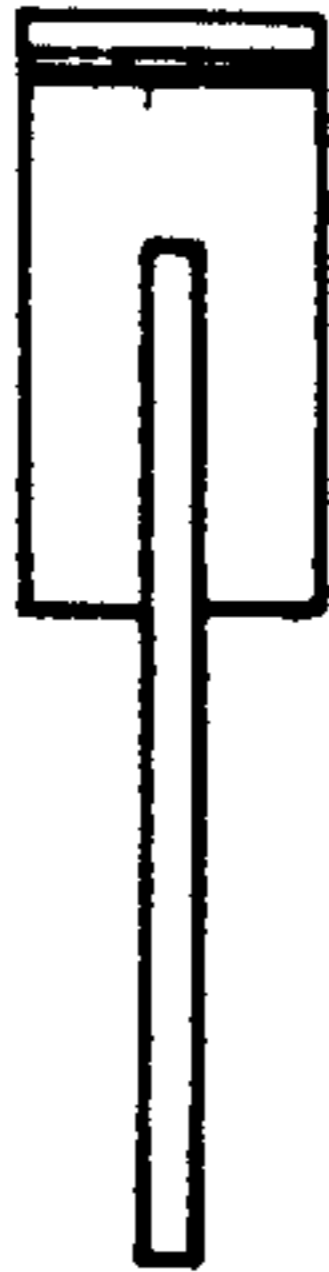


Fig. 4

