



US00D336604S

United States Patent [19]

Fujimoto

[11] Patent Number: Des. 336,604

[45] Date of Patent: ** Jun. 22, 1993

[54] PRINTED BOARD HOLDER

[75] Inventor: Nobuaki Fujimoto, Okazaki, Japan

[73] Assignee: Kitagawa Industries Co., Ltd., Japan

[**] Term: 14 Years

[21] Appl. No.: 667,081

[22] Filed: Mar. 11, 1991

[30] Foreign Application Priority Data

Sep. 11, 1990 [JP] Japan 2-30574

[52] U.S. Cl. D8/354

[58] Field of Search D8/356, 354; 174/153 G; 24/136 R, 453, 115 G; 248/74.3

[56] References Cited

U.S. PATENT DOCUMENTS

2,758,498	8/1956	Johnson	24/453 X
3,093,027	6/1963	Rapata	24/453 X
3,352,195	11/1967	Fisher	24/453 X
3,621,751	11/1971	Fiorentino	24/453 X
4,470,737	9/1984	Wollar	24/453 X
4,604,776	8/1986	Takahashi	

4,629,356	12/1986	Hayashi	
4,669,688	6/1987	Itoh et al.	248/74.3 X
4,674,910	6/1987	Hayashi	
4,724,584	2/1988	Kasai	24/115 G
4,850,773	7/1989	Asami	24/453 X

FOREIGN PATENT DOCUMENTS

701402 12/1986 Japan .

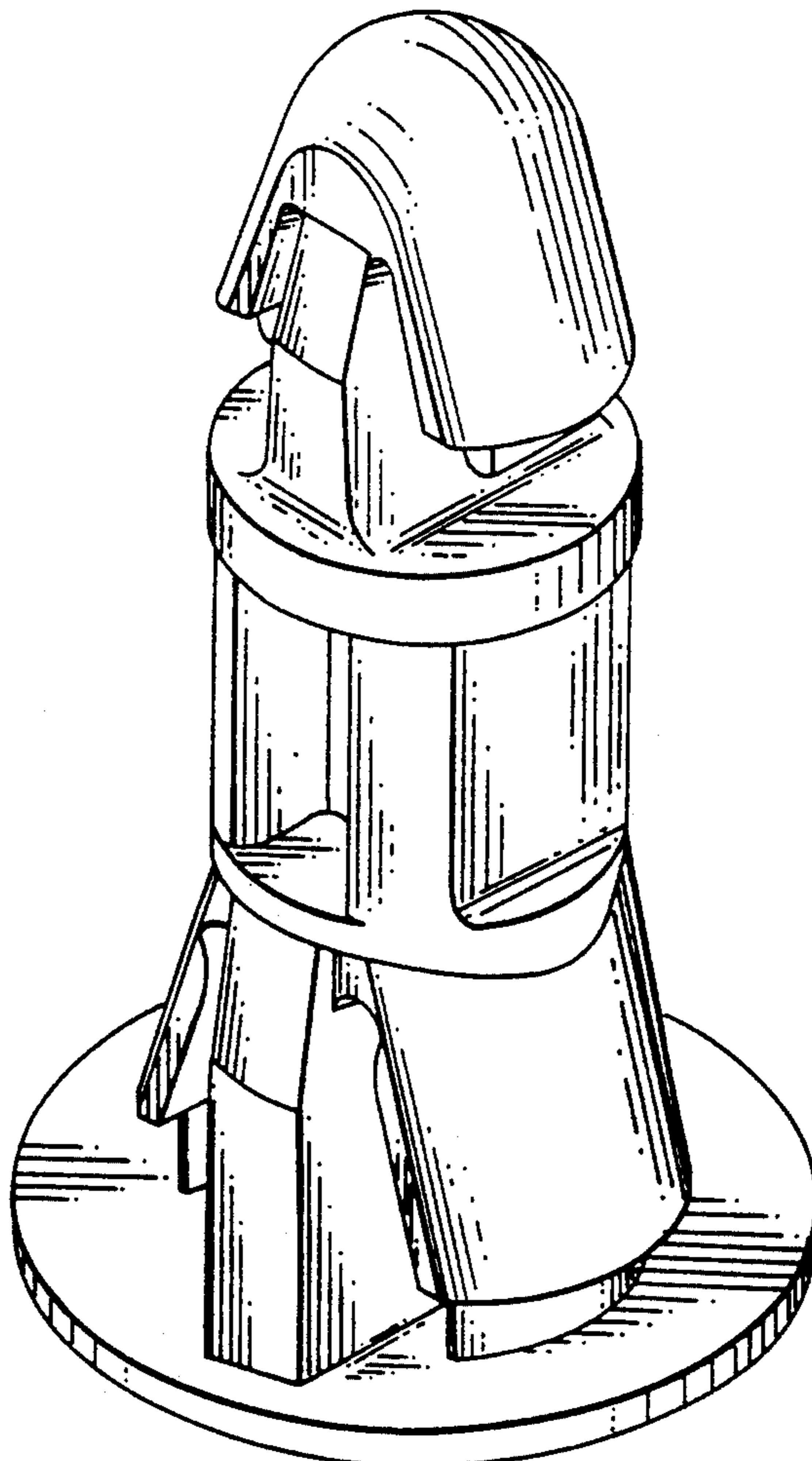
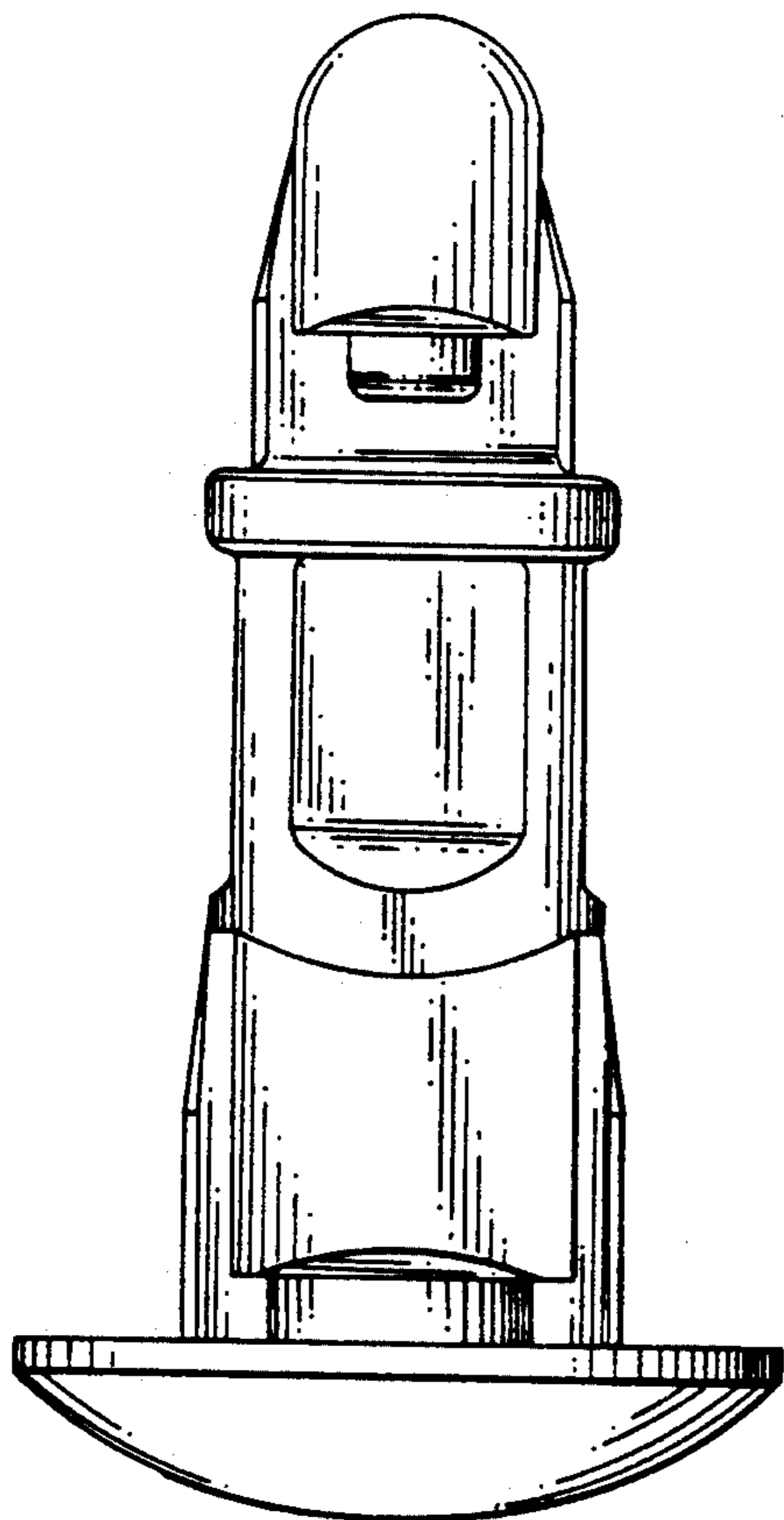
Primary Examiner—Wallace R. Burke
Assistant Examiner—H. Baynham
Attorney, Agent, or Firm—Davis, Bujold & Streck

[57] CLAIM

The ornamental design for a printed board holder, as shown and described.

DESCRIPTION

FIG. 1 is a bottom plan view of a printed board holder showing my new design;
FIG. 2 is a top plan view thereof;
FIG. 3 is a right side elevational view thereof with the opposite side being a mirror image thereof;
FIG. 4 is a front elevational view thereof with the opposite side being a mirror image thereof; and,
FIG. 5 is a front, top, right perspective view thereof.



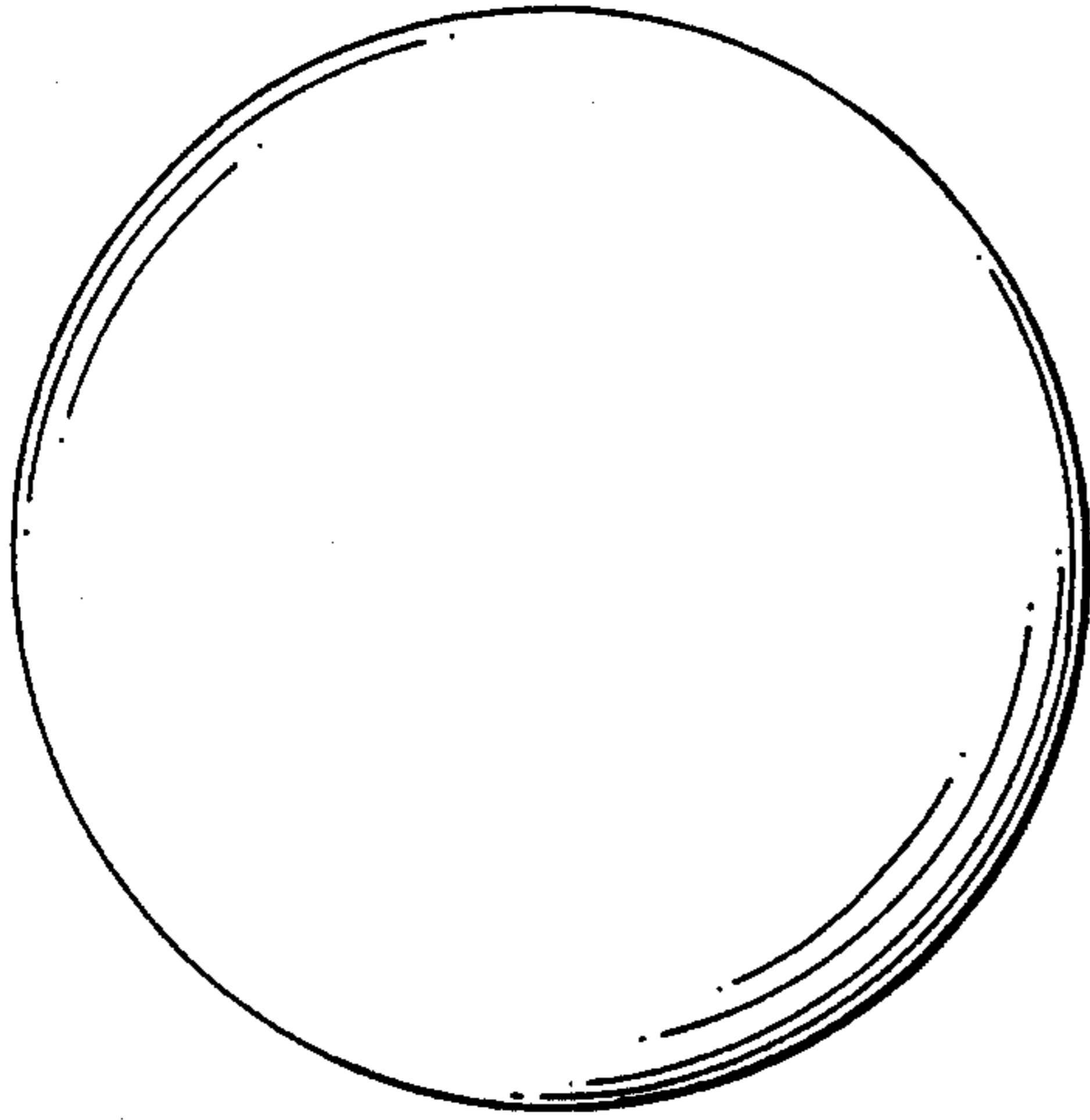


FIG. 1

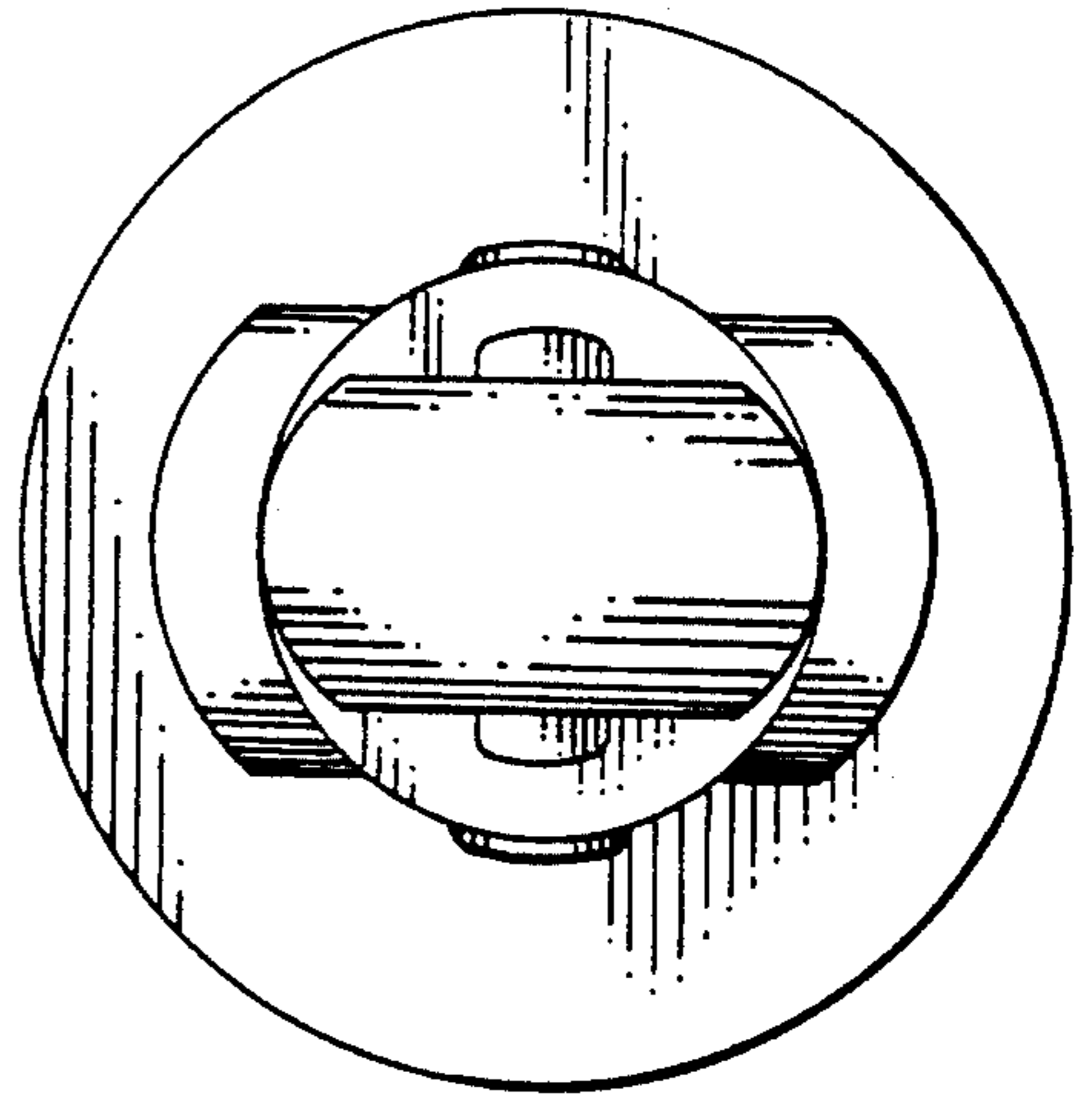


FIG. 2

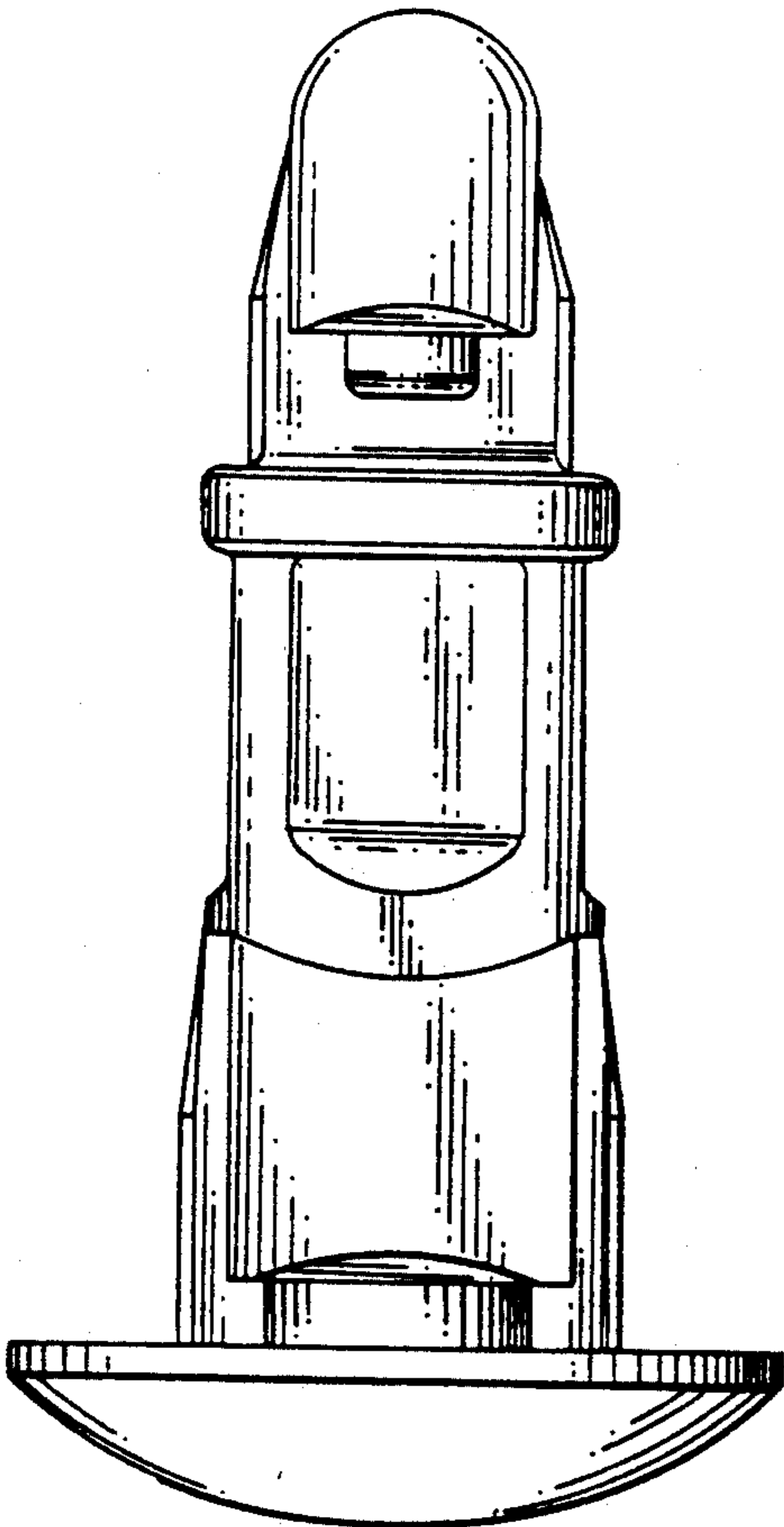


FIG. 3

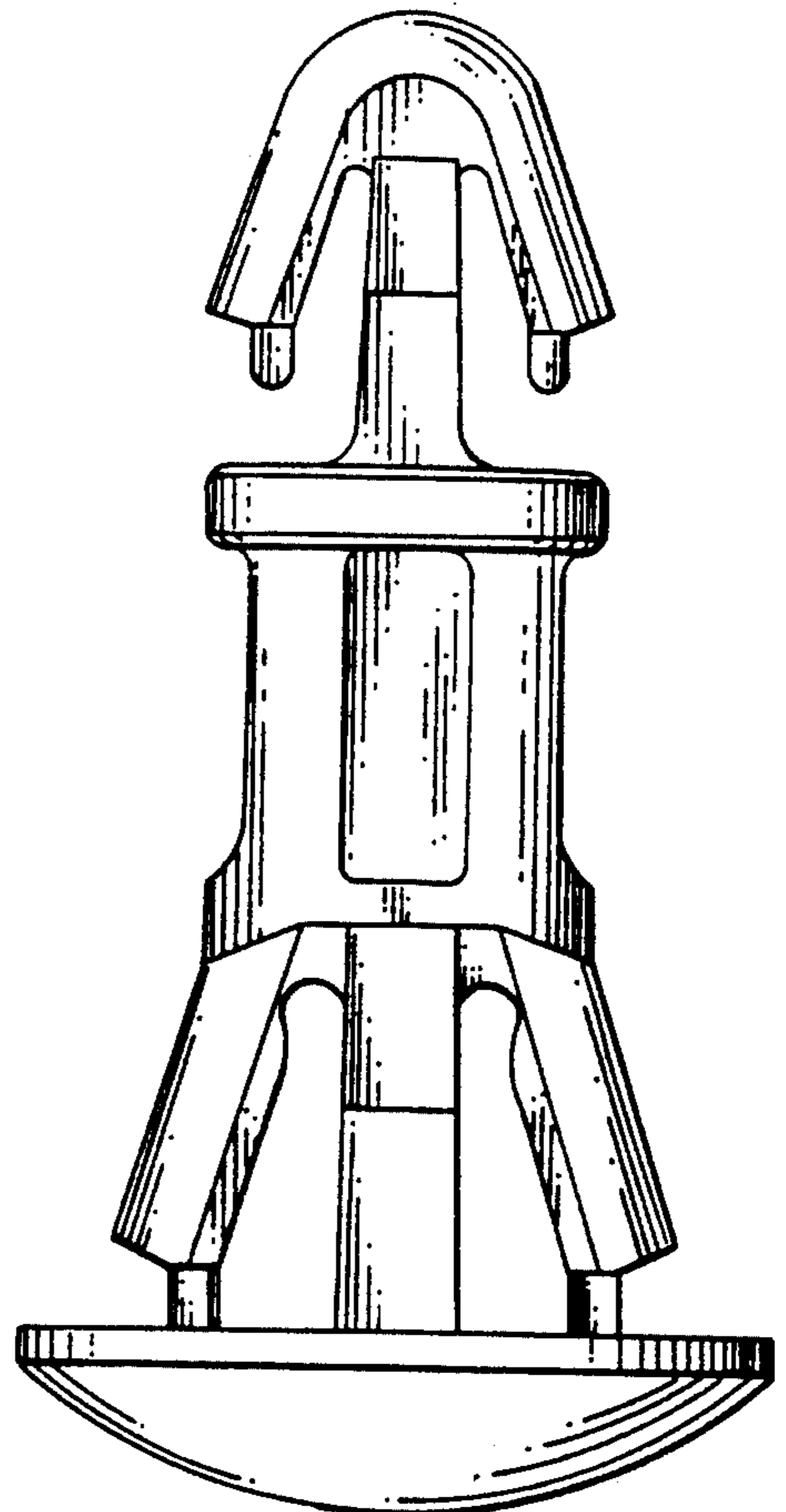


FIG. 4

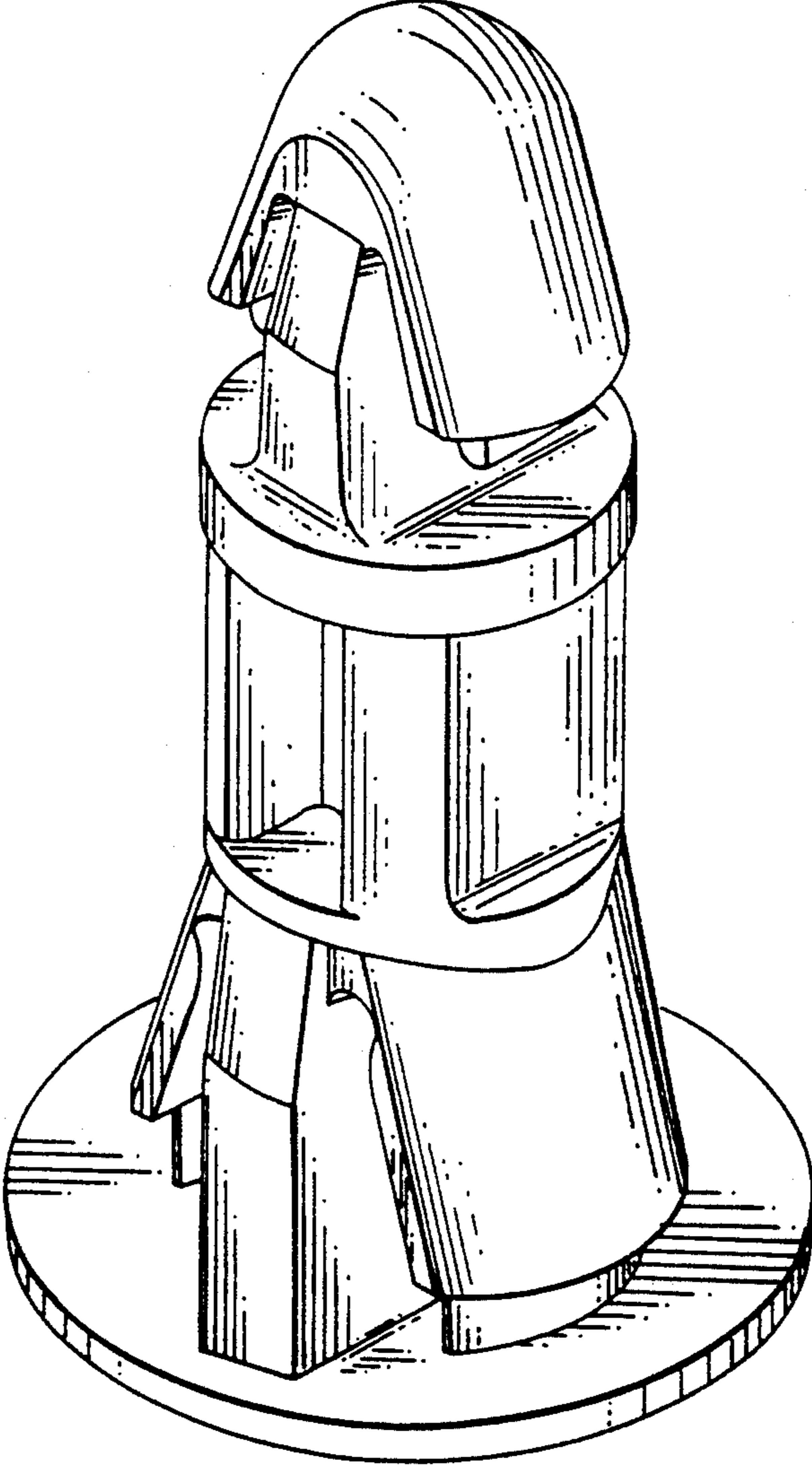


FIG.5