



US00D336603S

United States Patent [19]
Penafior

[11] **Patent Number: Des. 336,603**
[45] **Date of Patent: ** Jun. 22, 1993**

- [54] **GOLF CLUB AND BAG LOCK**
- [76] **Inventor: Joseph M. Penafior, 35 Florence Ct., Hollister, Calif. 95023**
- [**] **Term: 14 Years**
- [21] **Appl. No.: 741,815**
- [22] **Filed: Aug. 7, 1991**
- [52] **U.S. Cl. D8/336; D8/346; D8/333**
- [58] **Field of Search D8/330-331, D8/333, 336, 338, 346; D21/223; 70/14, 18-19, 57, 58-59, 61; 292/289, 297; 206/315.4**

- [56] **References Cited**
- U.S. PATENT DOCUMENTS**
- 1,377,413 5/1921 Dindle 70/61 X
- 1,713,230 5/1929 Hunt 70/61
- 2,879,819 3/1959 Turnbull 206/315.4
- 4,863,019 9/1989 Lewis et al. 70/19 X
- 4,955,472 9/1990 Yamazoe 2106/315.4

Primary Examiner—Brian N. Vinson

Attorney, Agent, or Firm—Jeffrey A. Hall

[57] **CLAIM**

The ornamental design for a golf club and bag lock, as shown and described.

DESCRIPTION

FIG. 1 is a top, front, and right side perspective view of a golf club and bag lock showing my new design, with the article shown partially opened;

FIG. 2 is an enlarged, inverted front elevational view thereof;

FIG. 3 is an enlarged right side elevational view thereof;

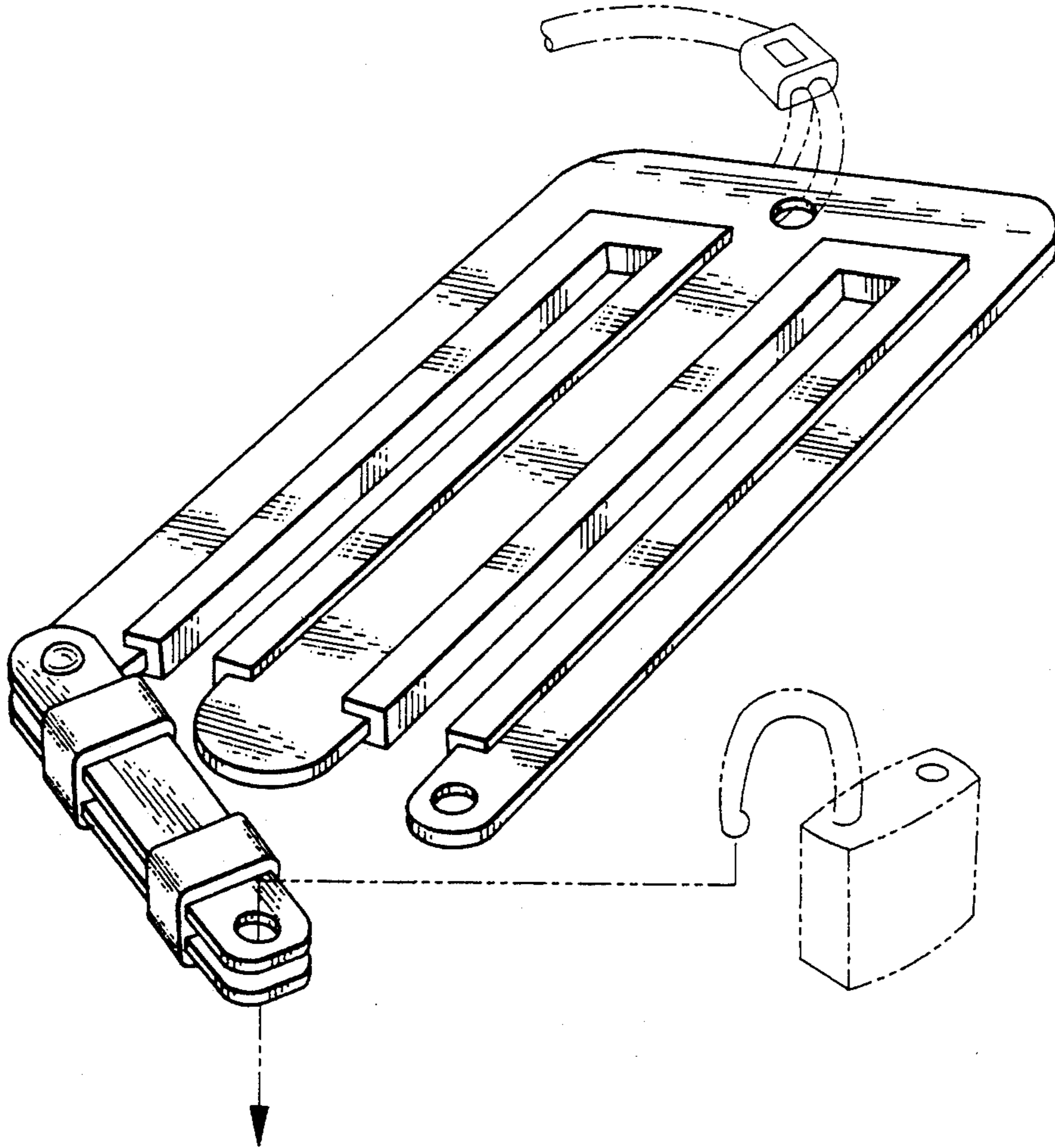
FIG. 4 is an enlarged top plan view thereof, the bottom being a mirror image of that shown;

FIG. 5 is an enlarged left side elevational view thereof;

FIG. 6 is an enlarged rear elevational view thereof; and,

FIG. 7 is an enlarged top plan view thereof, with the article shown partially opened.

The broken-line disclosure of a padlock and cable fragment in the views is for illustrative purposes only and forms no part of the claimed design.



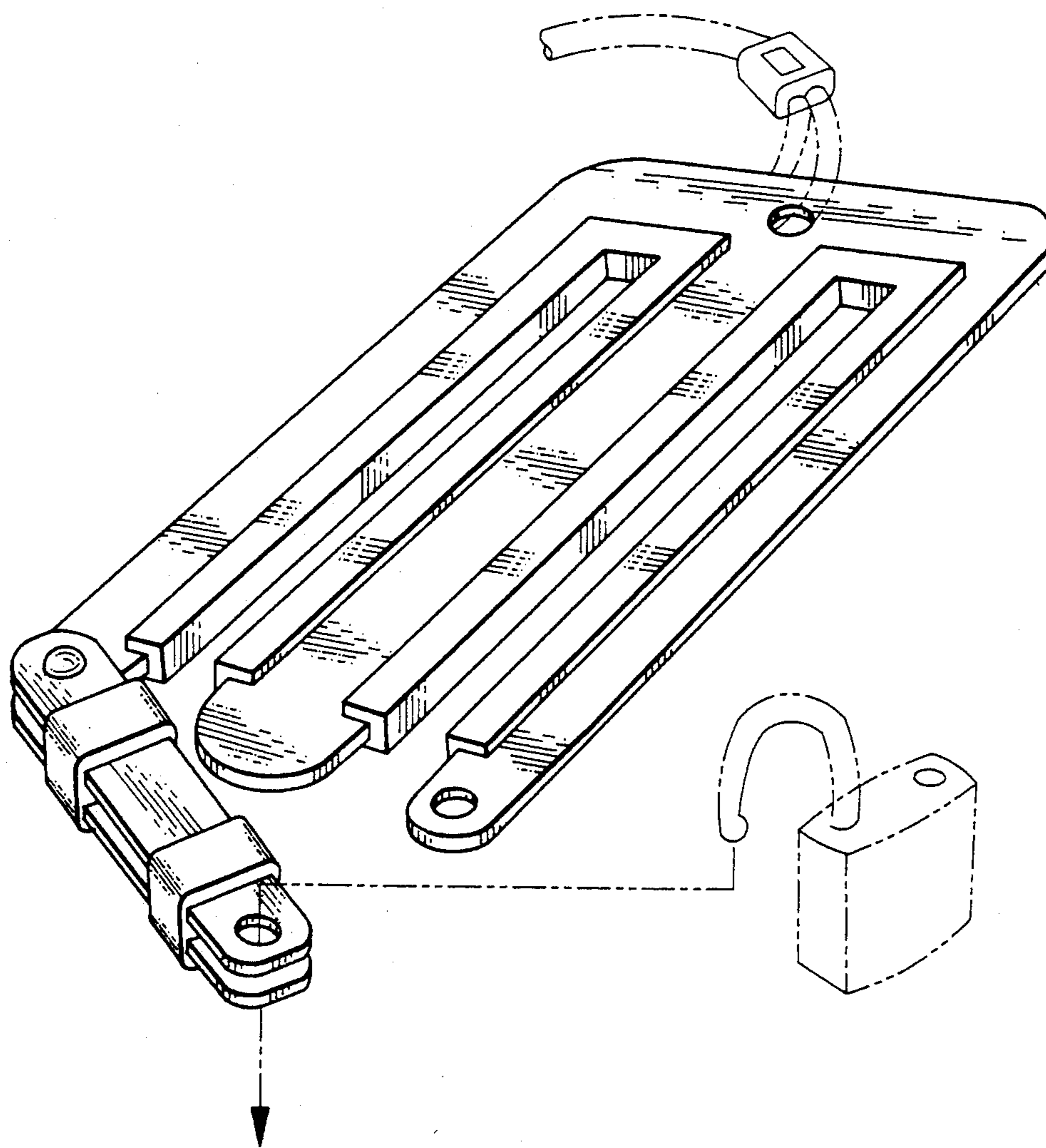


Fig. 1



Fig. 2



Fig. 3

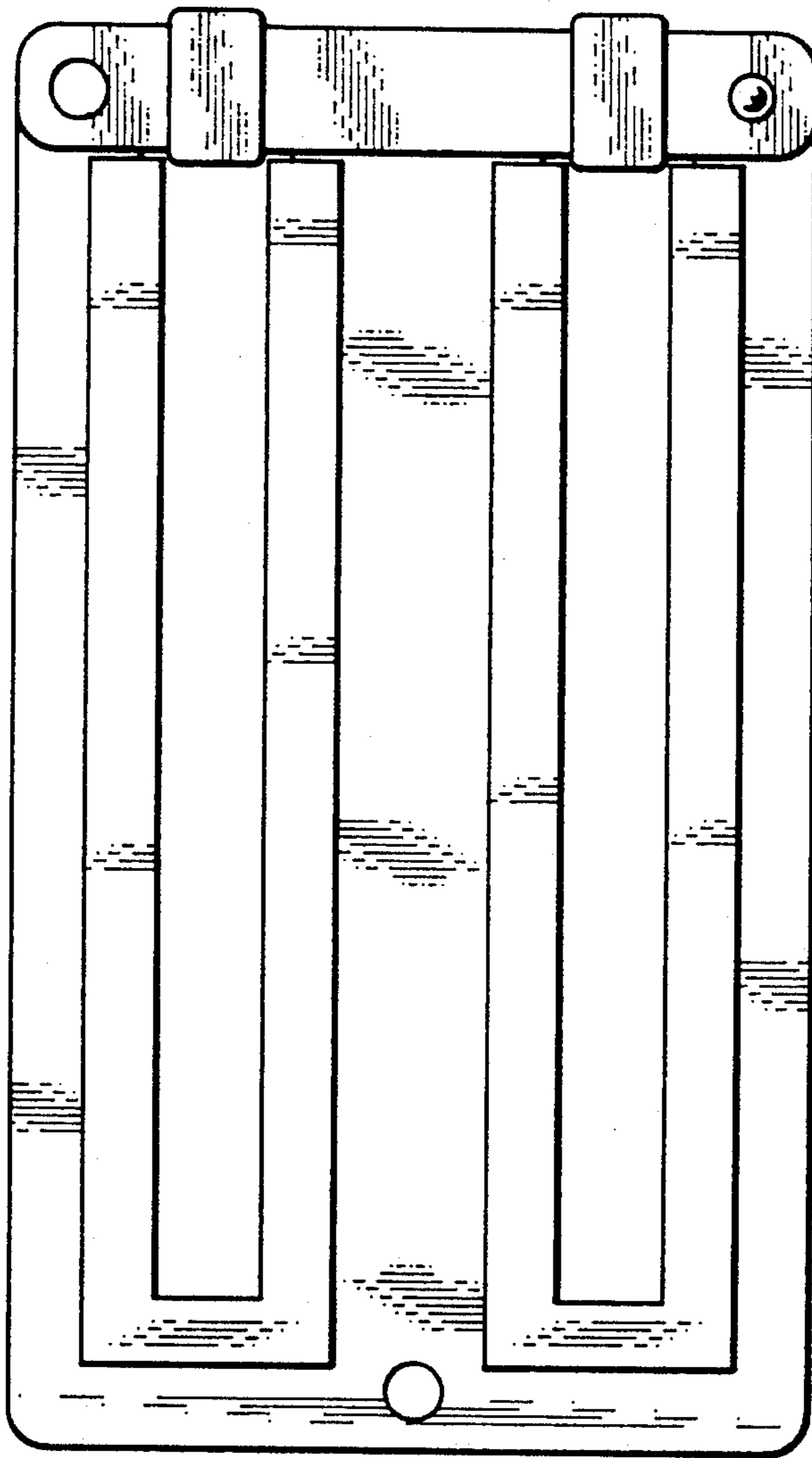


Fig. 4



Fig. 5



Fig. 6

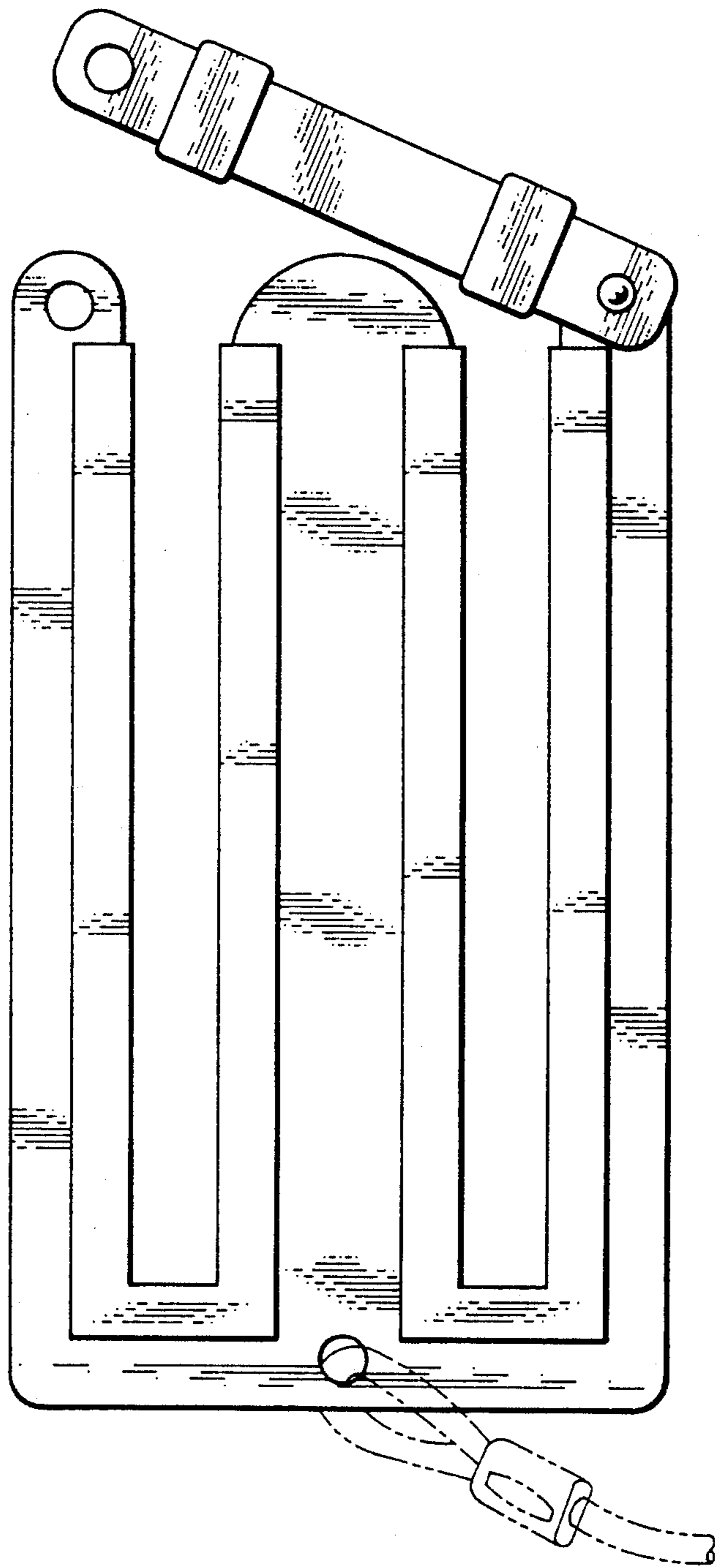


Fig. 7