



US00D336601S

**United States Patent** [19]  
**Crawford**

[11] **Patent Number: Des. 336,601**

[45] **Date of Patent: \*\* Jun. 22, 1993**

[54] **HEAD FOR AN AXE**

[76] **Inventor: Steve Crawford, P.O. Box 3594,  
Aspen, Colo. 81612-3594**

[\*\*] **Term: 14 Years**

[21] **Appl. No.: 652,284**

[22] **Filed: Feb. 5, 1991**

[52] **U.S. Cl. .... D8/98; D8/76**

[58] **Field of Search ..... D8/14, 76, 98; 30/155,  
30/308, 308.1, 308.2; 7/143, 147, 148, 149**

D. 299,412 1/1989 Zabarte ..... D8/76  
402,936 5/1889 Kelly ..... 30/308.1  
4,300,606 11/1981 Branson ..... 30/308.1

*Primary Examiner—Bernard Ansher  
Assistant Examiner—P. Hyder  
Attorney, Agent, or Firm—Norman B. Rainer*

[57] **CLAIM**

The ornamental design for a head for an axe, as shown and described.

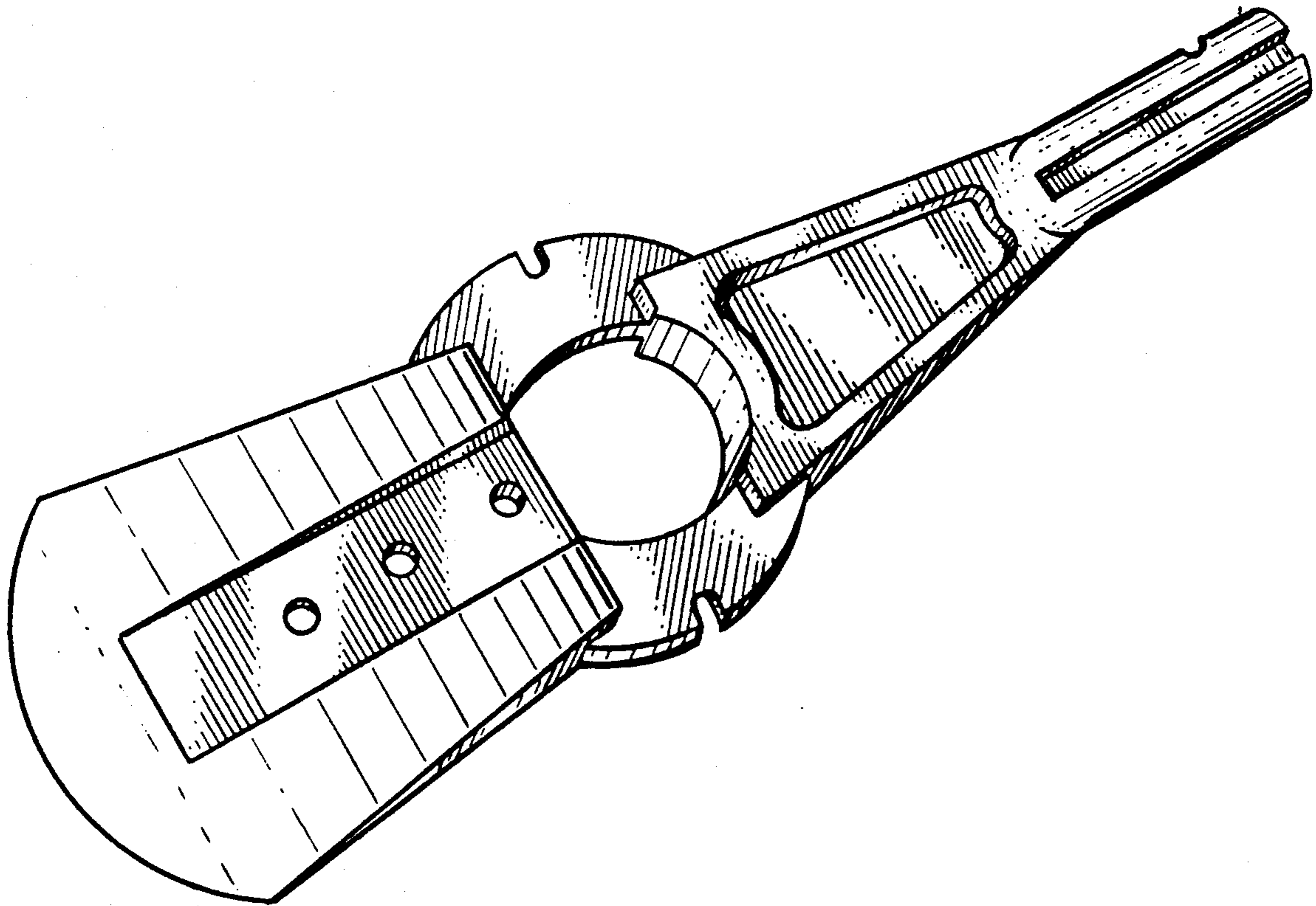
**DESCRIPTION**

FIG. 1 is a perspective view of a head for an axe showing my new design;  
FIG. 2 is a front elevational view thereof, the rear view being a mirror image;  
FIG. 3 is a top plan view thereof; the bottom plan view appearing the same;  
FIG. 4 is a left side elevational view thereof; and,  
FIG. 5 is a right side elevational view thereof.

[56] **References Cited**

**U.S. PATENT DOCUMENTS**

D. 29,146 8/1898 Ott ..... D8/76  
D. 115,256 6/1939 Vaughan ..... D8/76  
D. 233,405 10/1974 Frey ..... D8/76  
D. 243,314 2/1977 Hedvall ..... D8/76  
D. 270,654 9/1983 Barrett ..... D8/76



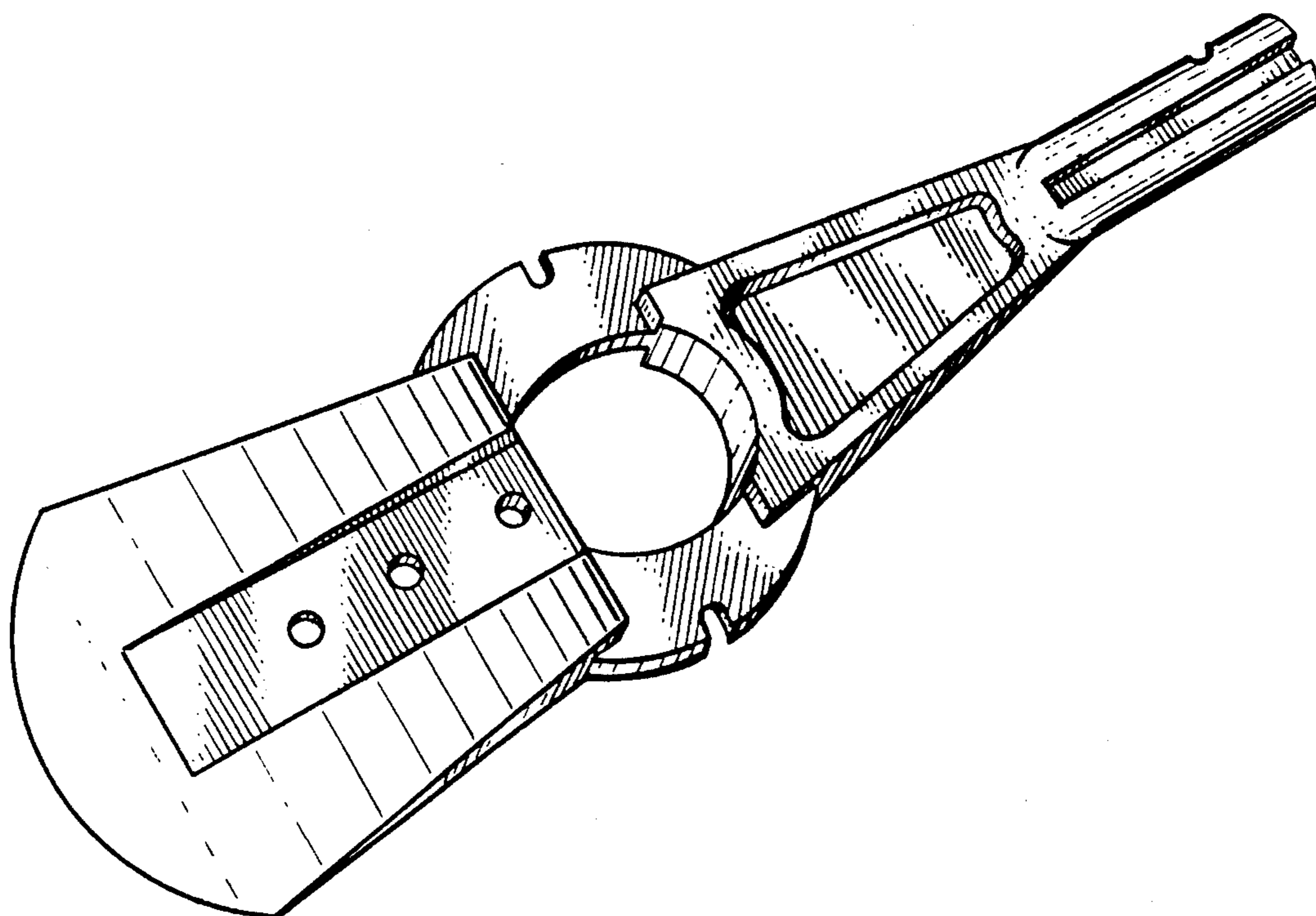


FIG. 1

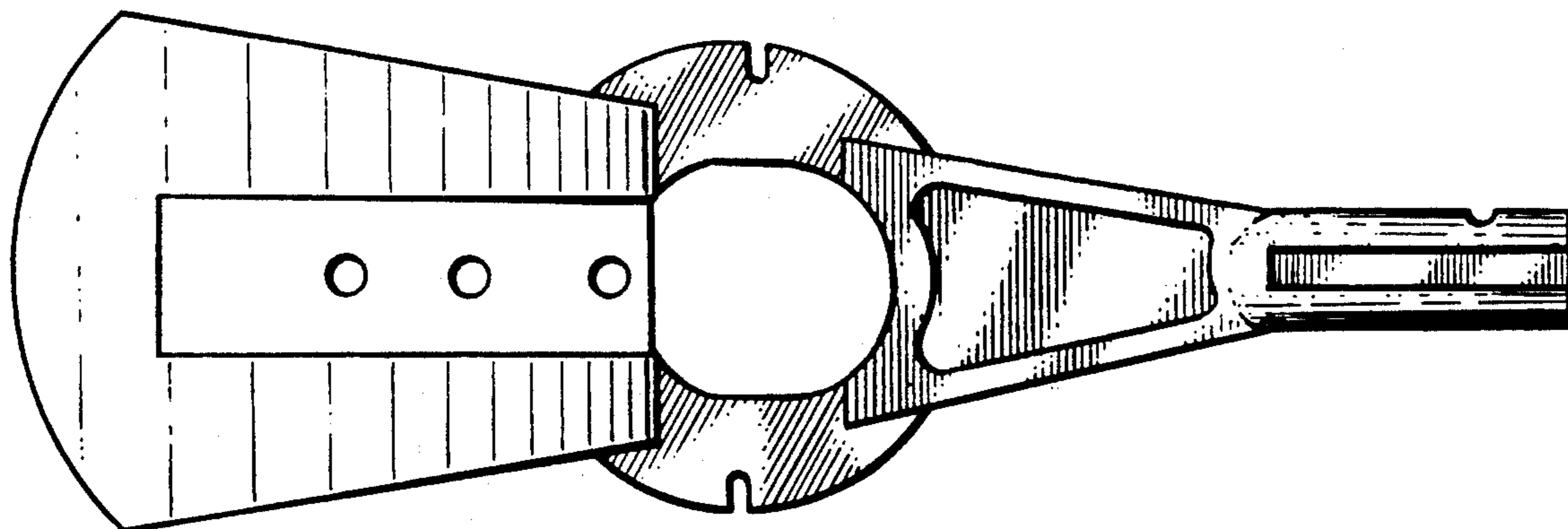


FIG. 2



FIG. 3

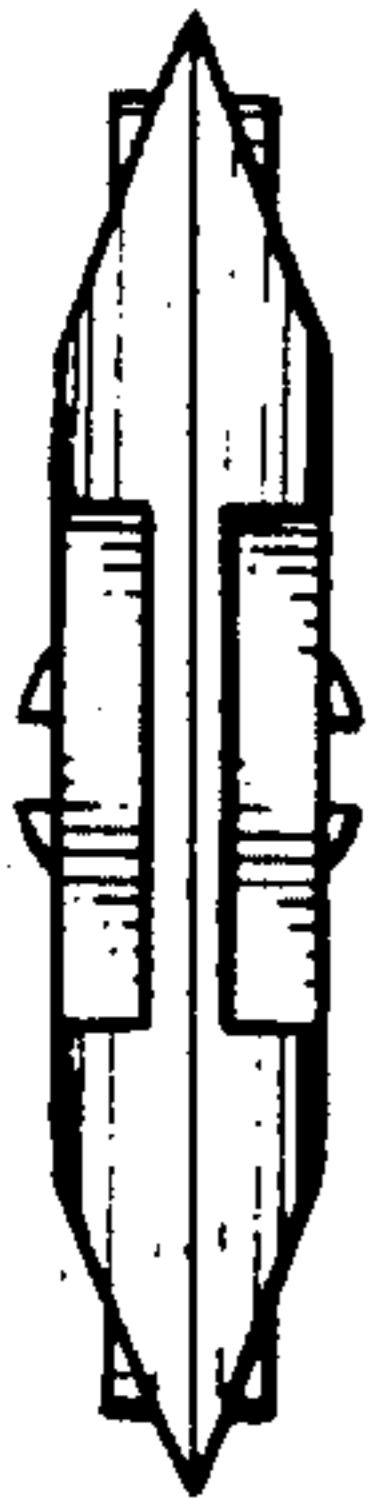


FIG. 4



FIG. 5