



US00D336596S

# United States Patent [19]

[11] Patent Number: **Des. 336,596**

Osgood et al.

[45] Date of Patent: **\*\* Jun. 22, 1993**

[54] SALAD COOLER

[76] Inventors: **Lisa M. Osgood; Dale L. Miller**, both of P.O. Box 383, Bingham, Me. 04920

[\*\*] Term: **14 Years**

[21] Appl. No.: **741,160**

[22] Filed: **Aug. 7, 1991**

[52] U.S. Cl. .... **D7/608; D7/542**

[58] Field of Search ..... **D7/603-608, D7/538-543; 62/457.1, 457.6, 371, 372; 220/306, 352, 356, 574**

D. 281,754 12/1985 Trombly ..... D7/540  
D. 299,801 2/1989 Basitodos ..... D7/540  
4,520,633 6/1985 Hoydic ..... 62/457.6

*Primary Examiner*—Terry A. Pfeffer  
*Attorney, Agent, or Firm*—Terry M. Gernstein

## [57] CLAIM

The ornamental design for a salad cooler, as shown and described.

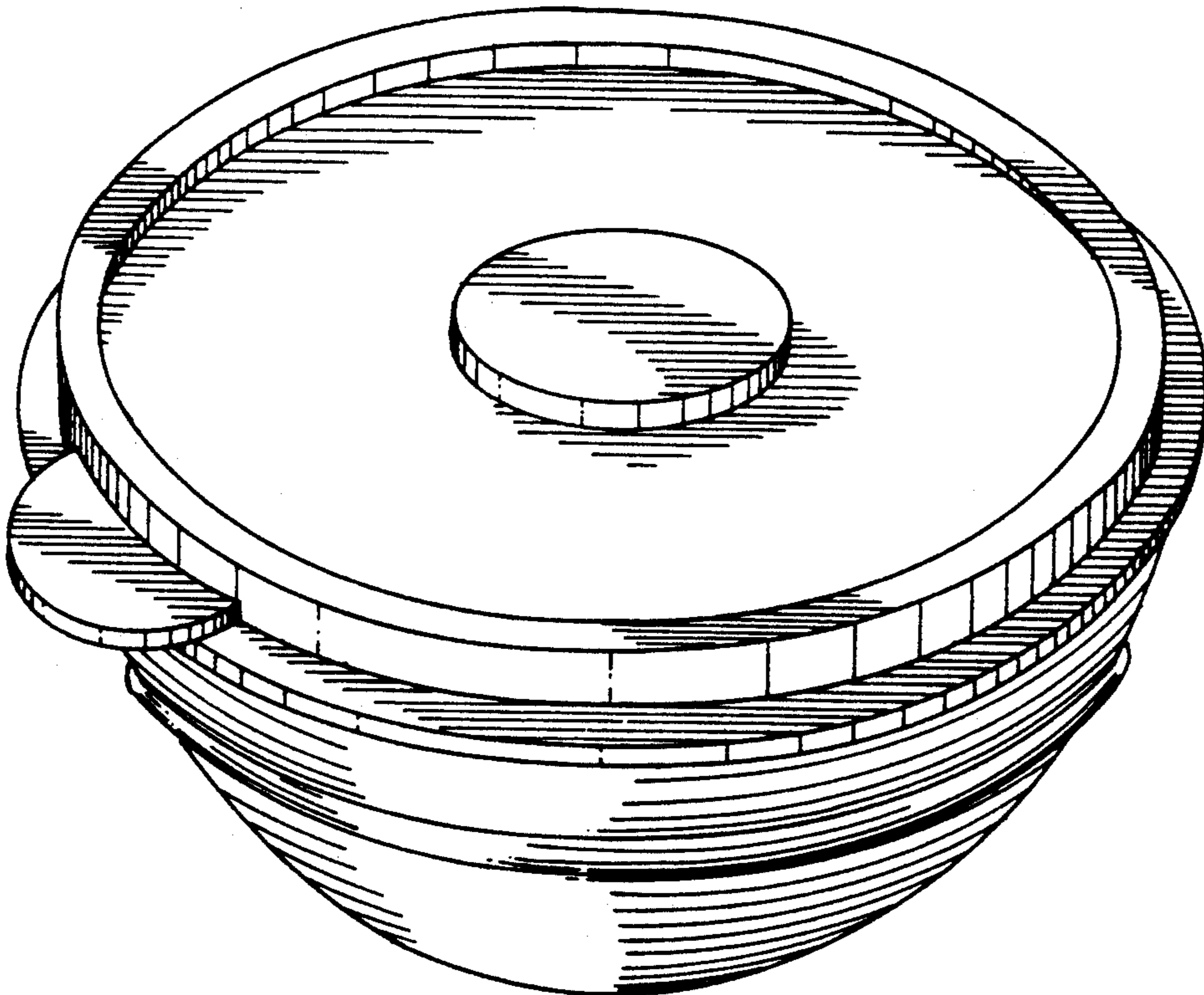
## DESCRIPTION

FIG. 1 is a perspective view of the salad cooler showing our new design;  
FIG. 2 is a front elevational view thereof;  
FIG. 3 is a rear elevational view thereof;  
FIG. 4 is a side elevational view thereof, the opposite side being a mirror image;  
FIG. 5 is a top plan view thereof; and,  
FIG. 6 is a bottom view thereof.

## [56] References Cited

### U.S. PATENT DOCUMENTS

D. 158,050 4/1950 Clarke ..... D7/608  
D. 276,398 11/1984 Conti et al. .... D7/540



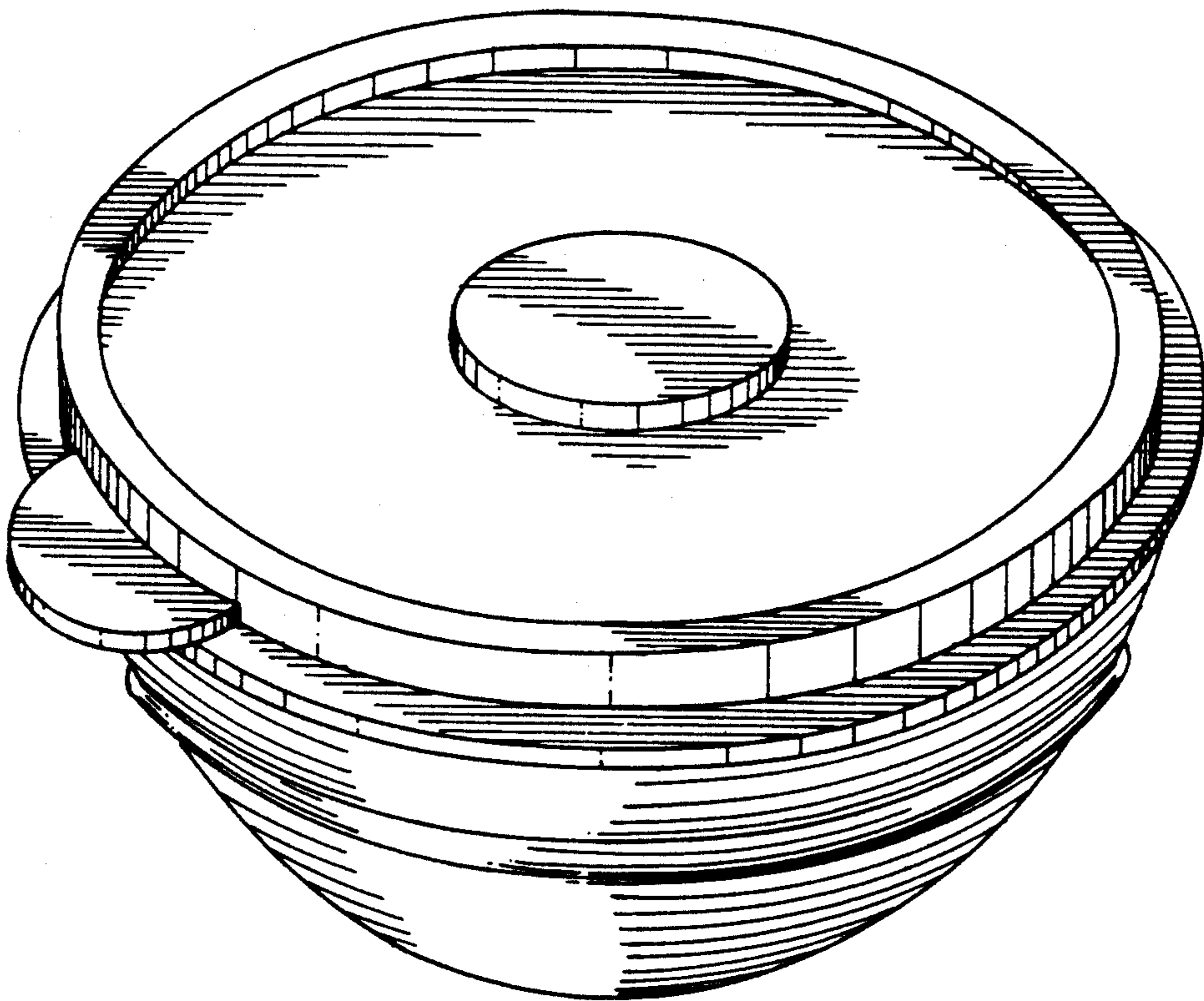


FIG.1.

FIG. 2.

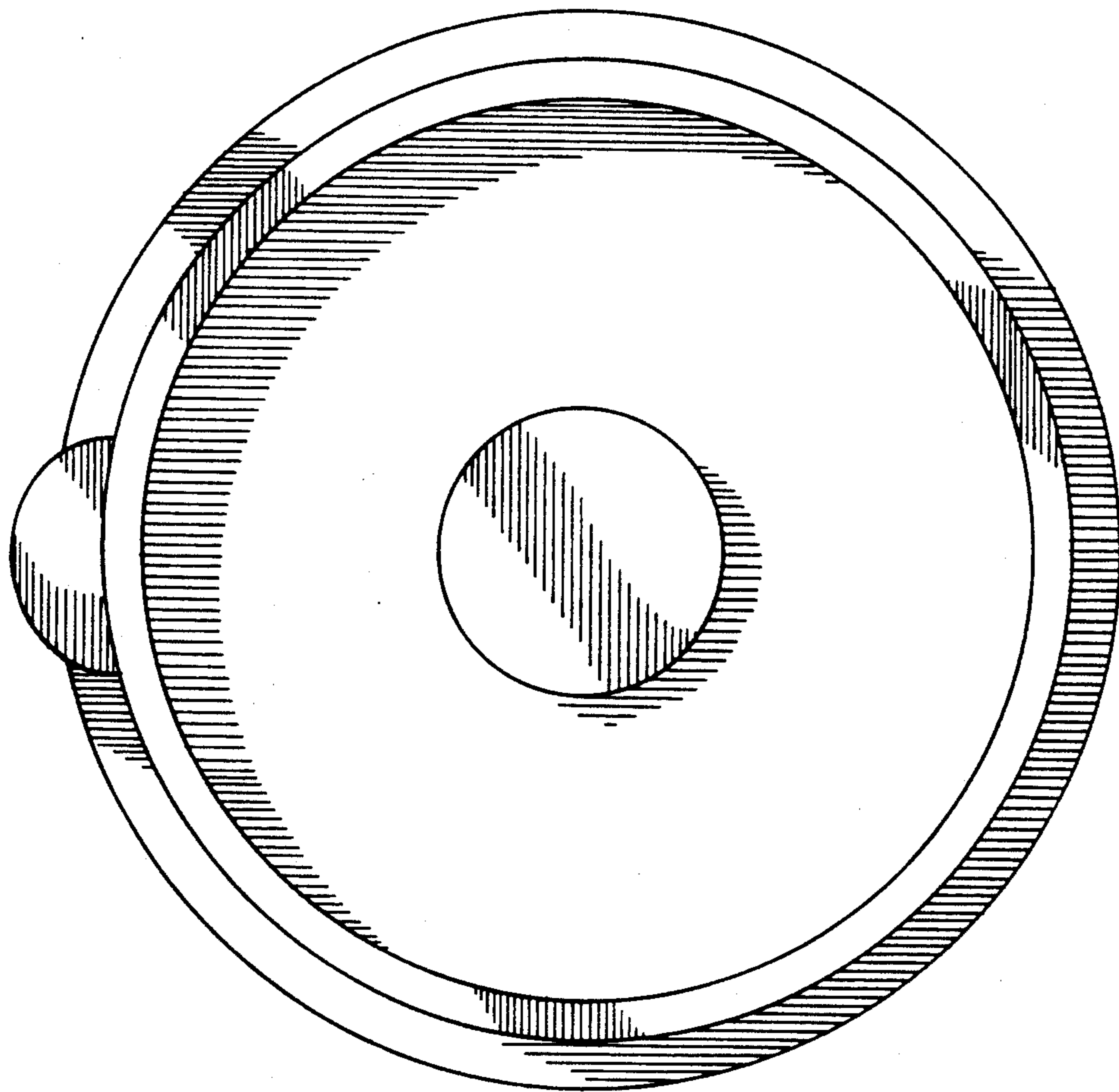
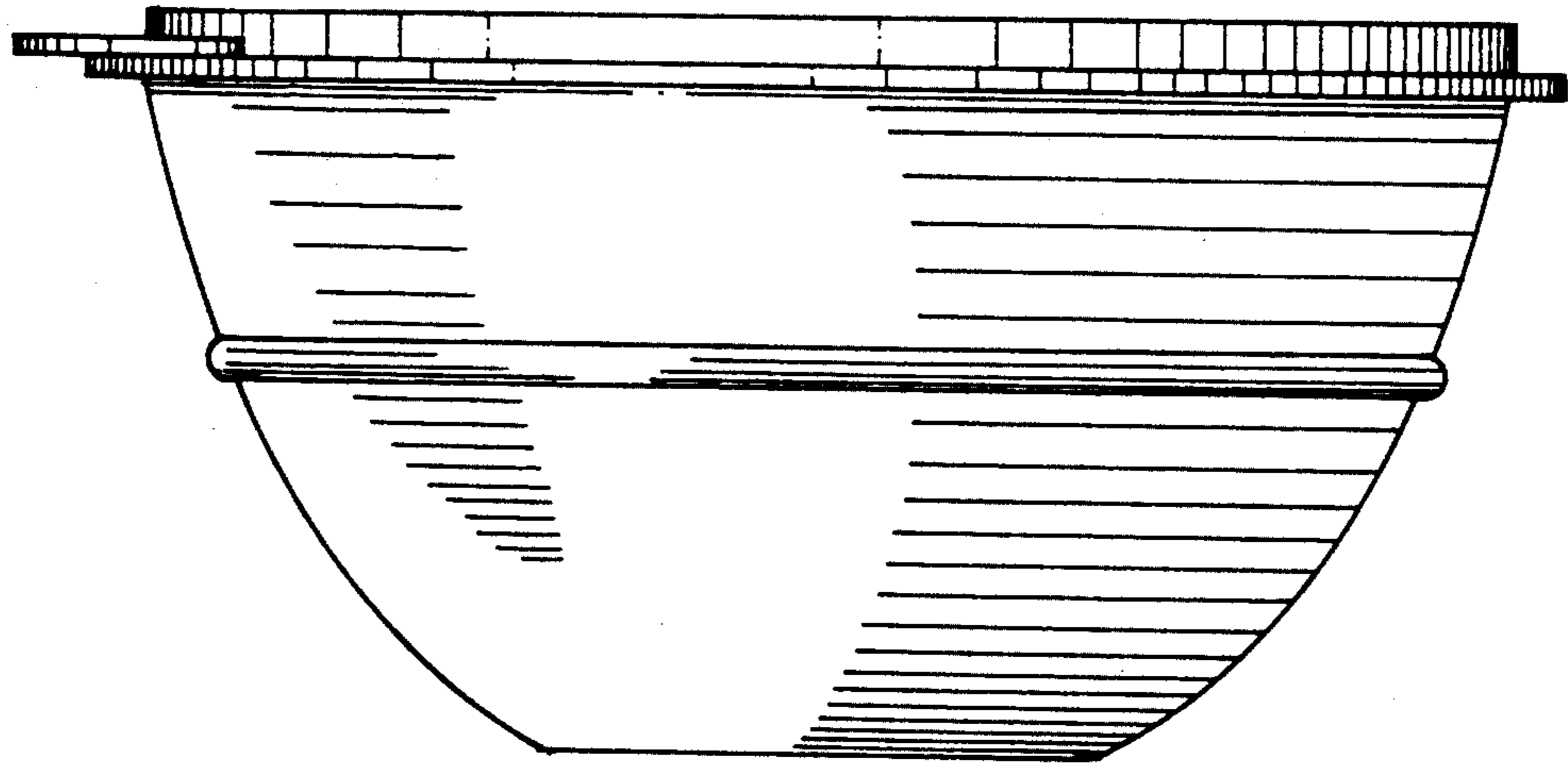


FIG. 5.

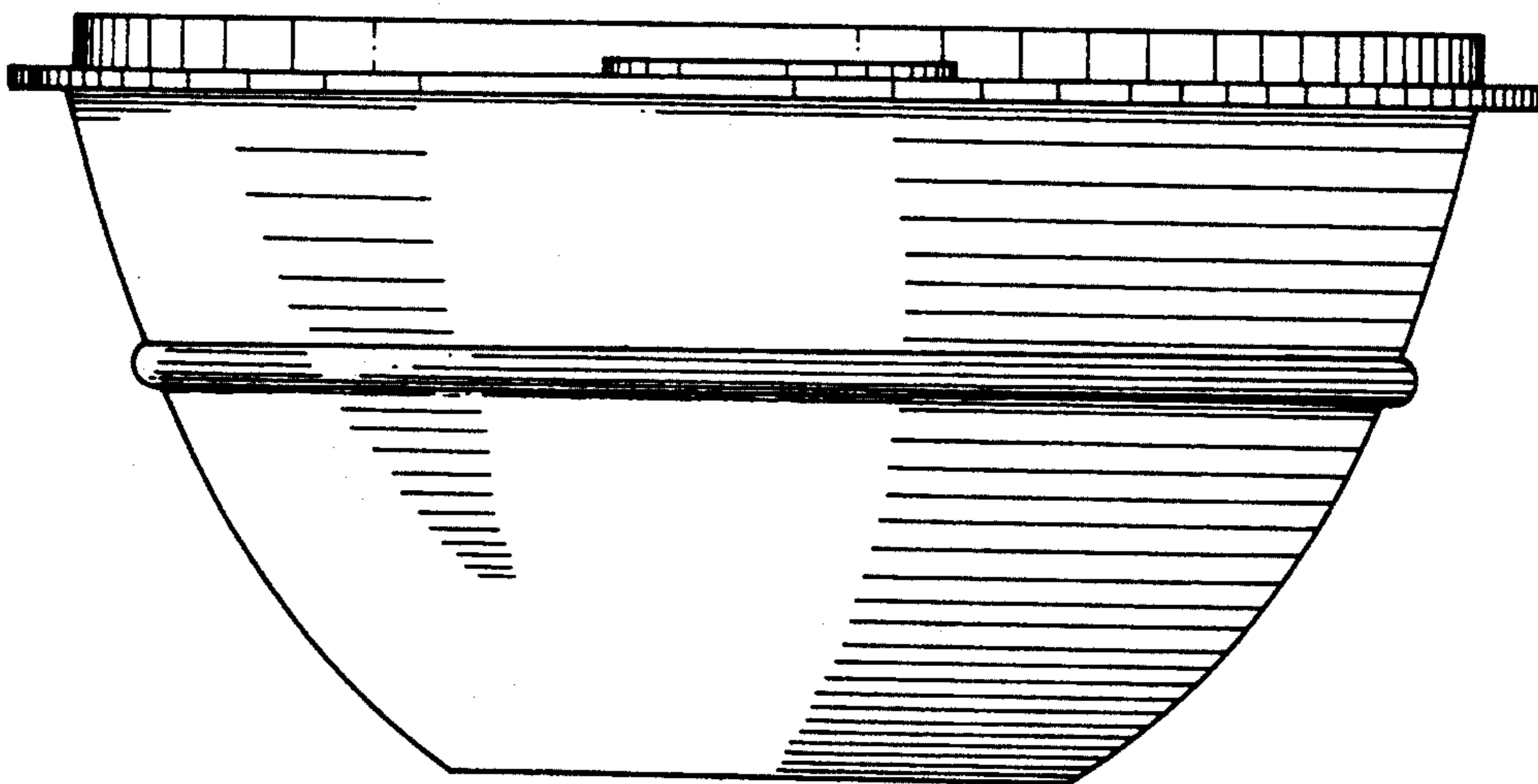


FIG. 3.



FIG. 4.

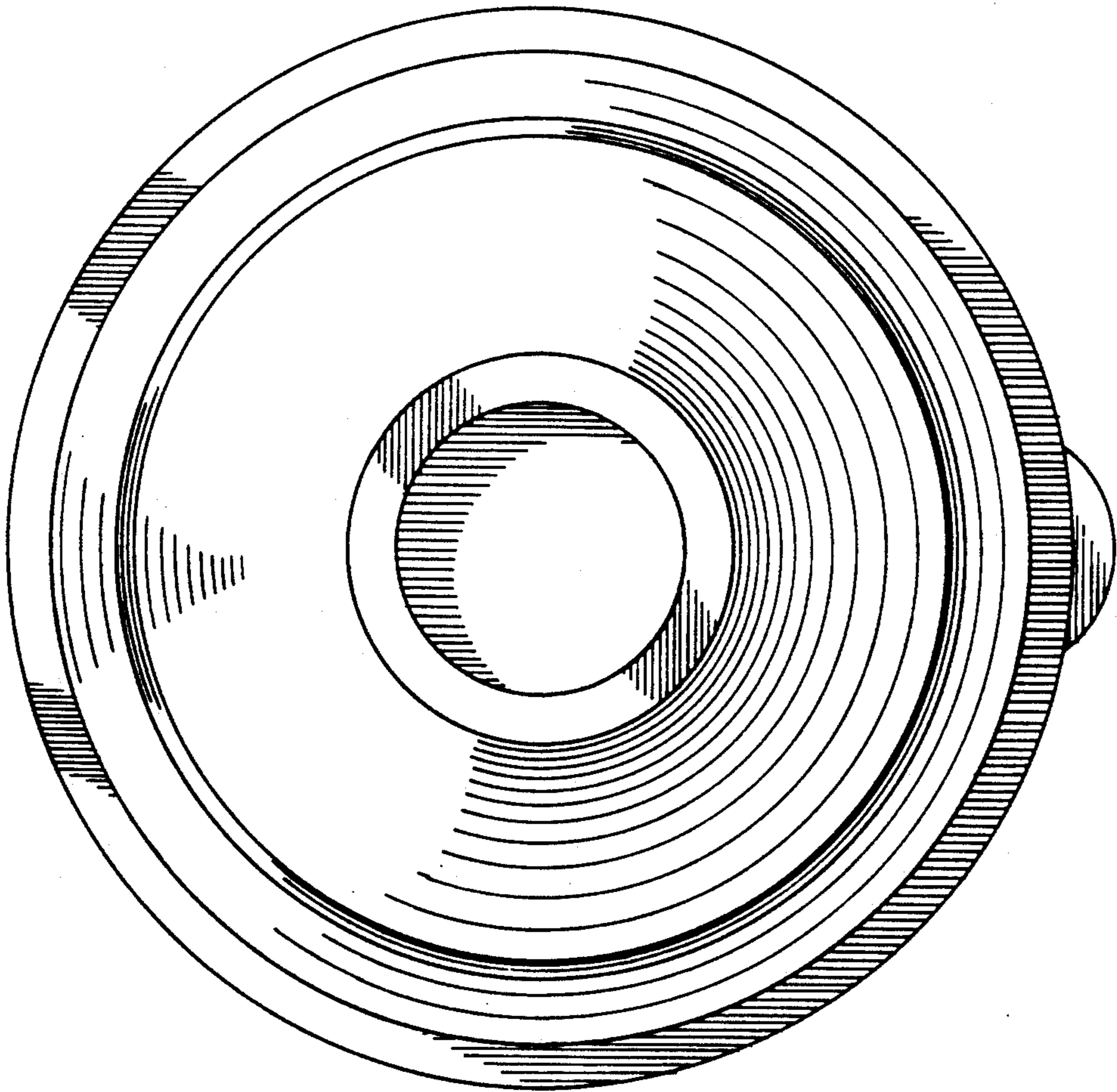
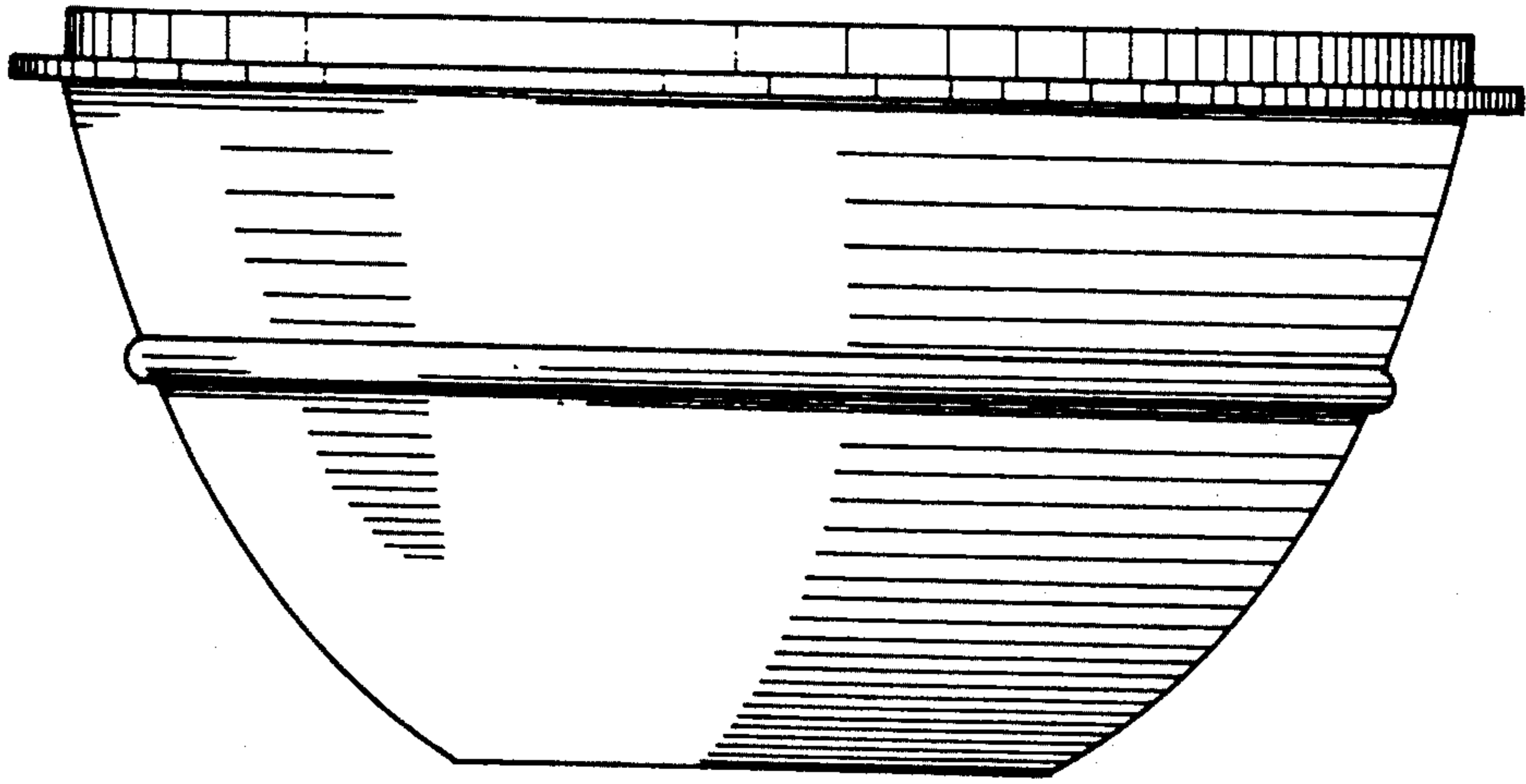


FIG. 6.