



US00D336593S

United States Patent [19]

[11] Patent Number: Des. 336,593

Yeuan

[45] Date of Patent: ** Jun. 22, 1993

[54] ROTISSERIE

[76] Inventor: Ming-Lieng Yeuan, No. 5-11, Chien-Hsing New Village, Sec. 1, Lung-Kang, Rd., Chung-Lee, Taiwan

[**] Term: 14 Years

[21] Appl. No.: 492,876

[22] Filed: Mar. 13, 1990

[52] U.S. Cl. D7/402

[58] Field of Search D7/338, 402, 409; 99/419, 421 R, 421 H, 421 HV; 126/25 R, 25 A, 25 AA, 29, 30, 38

[56] **References Cited**

U.S. PATENT DOCUMENTS

D. 262,347	12/1981	Bourne et al.	D7/409
3,248,518	4/1966	Ogle, Jr. et al.	99/421 HV
3,257,937	6/1966	Mell	99/421 HV
3,356,012	12/1967	Rosen	99/421 HV
3,359,887	12/1967	Cleveland	99/421 HV

Primary Examiner—A. Hugo Word
Assistant Examiner—Ruth McInroy
Attorney, Agent, or Firm—Ostrolenk, Faber, Gerb & Soffen

[57] **CLAIM**

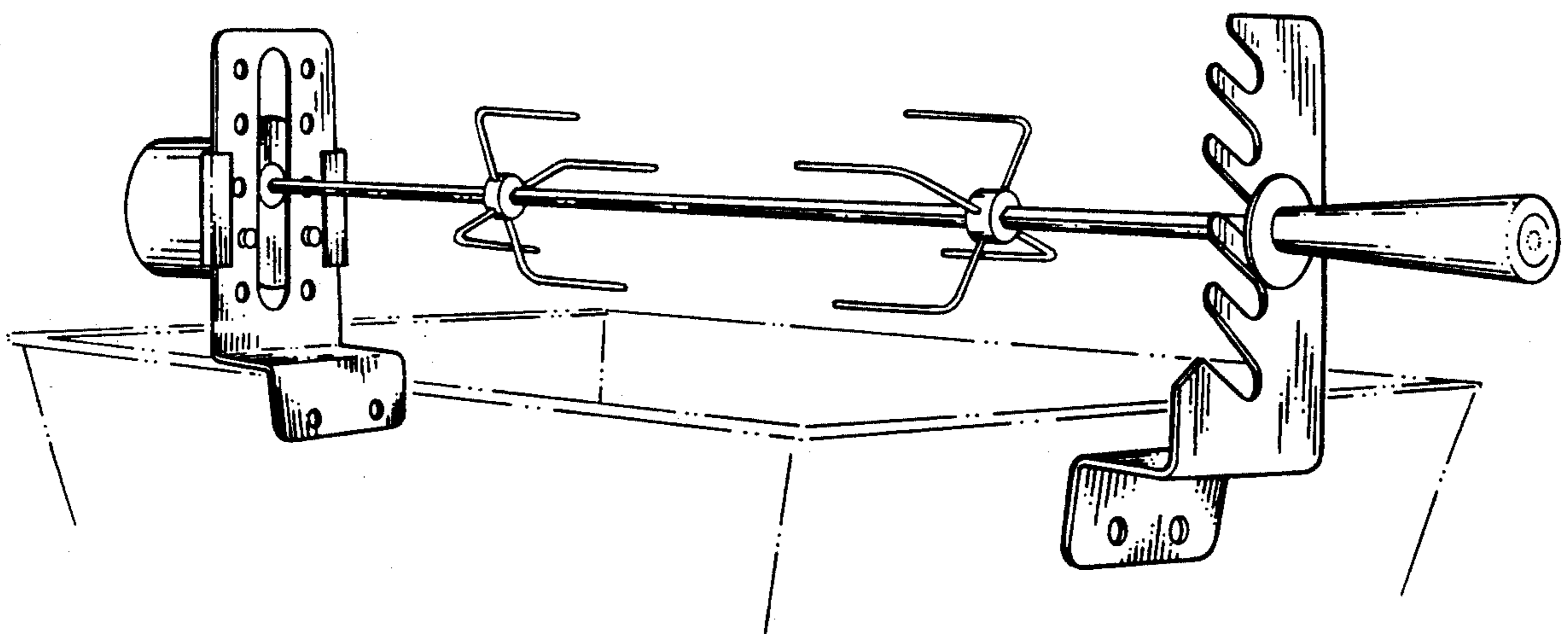
The ornamental design for a rotisserie, as shown and described.

DESCRIPTION

FIG. 1 is a perspective view of a rotisserie showing our new design;
FIG. 2 is a front elevational view thereof;
FIG. 3 is a rear elevational view thereof;
FIG. 4 is a left side elevational view thereof;
FIG. 5 is a right side elevational view thereof;
FIG. 6 is a top plan view thereof; and,
FIG. 7 is a bottom plan view thereof.

The grill shown in broken lines in FIGS. 1-7 is shown for illustrative purposes only and forms no part of the claimed design.

The electric cord shown in FIGS. 2, 3, 4, 6 and 7 is shown broken away and is understood to represent indeterminate length.



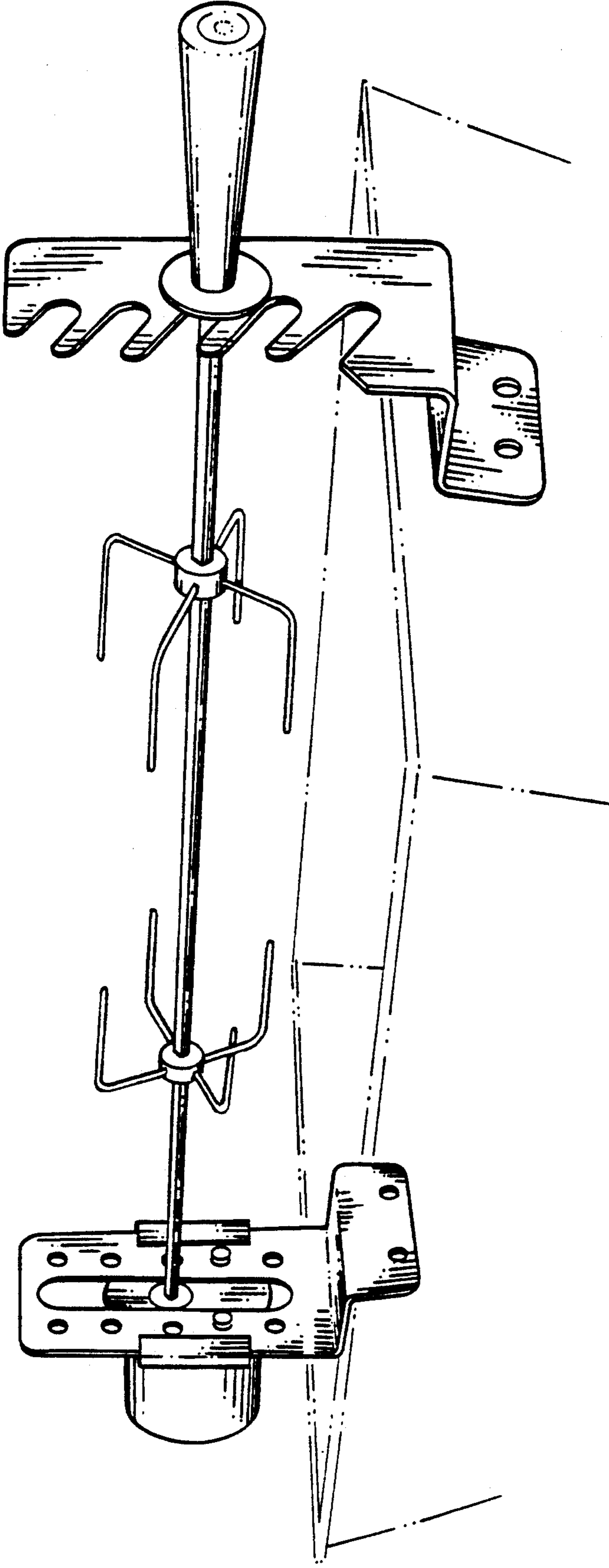


FIG.1

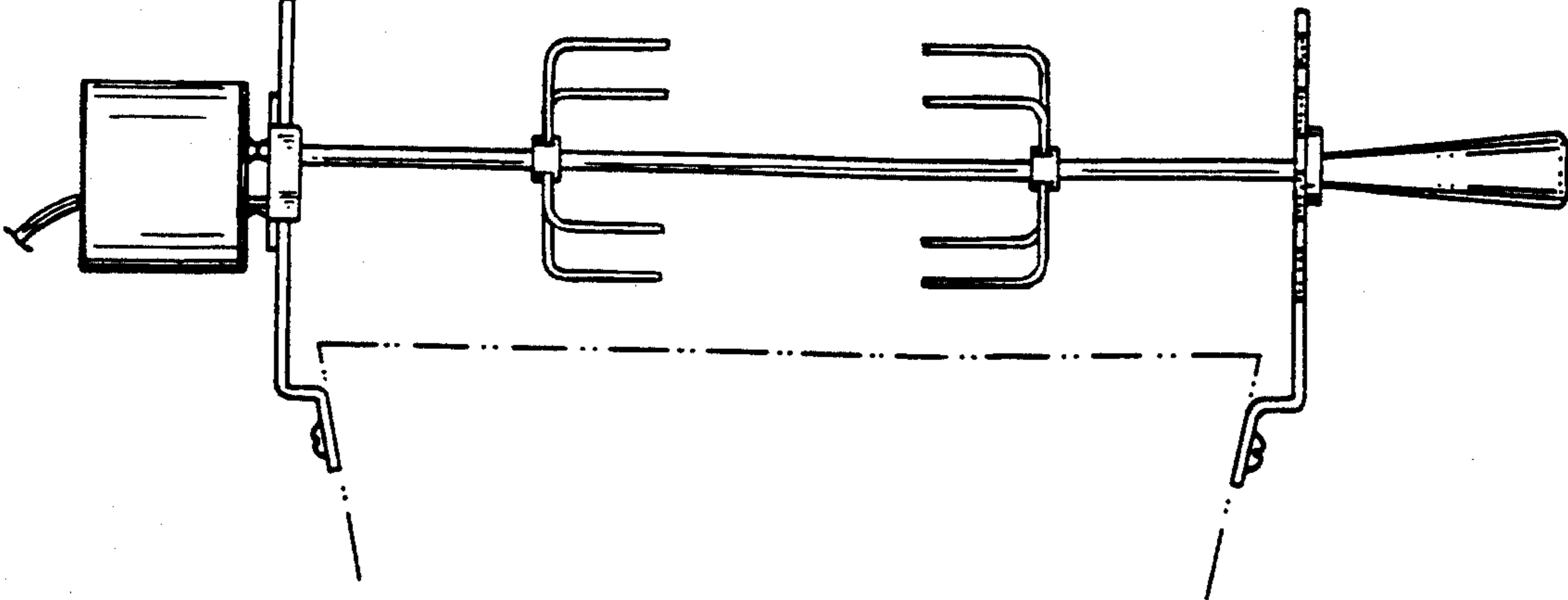


FIG. 2

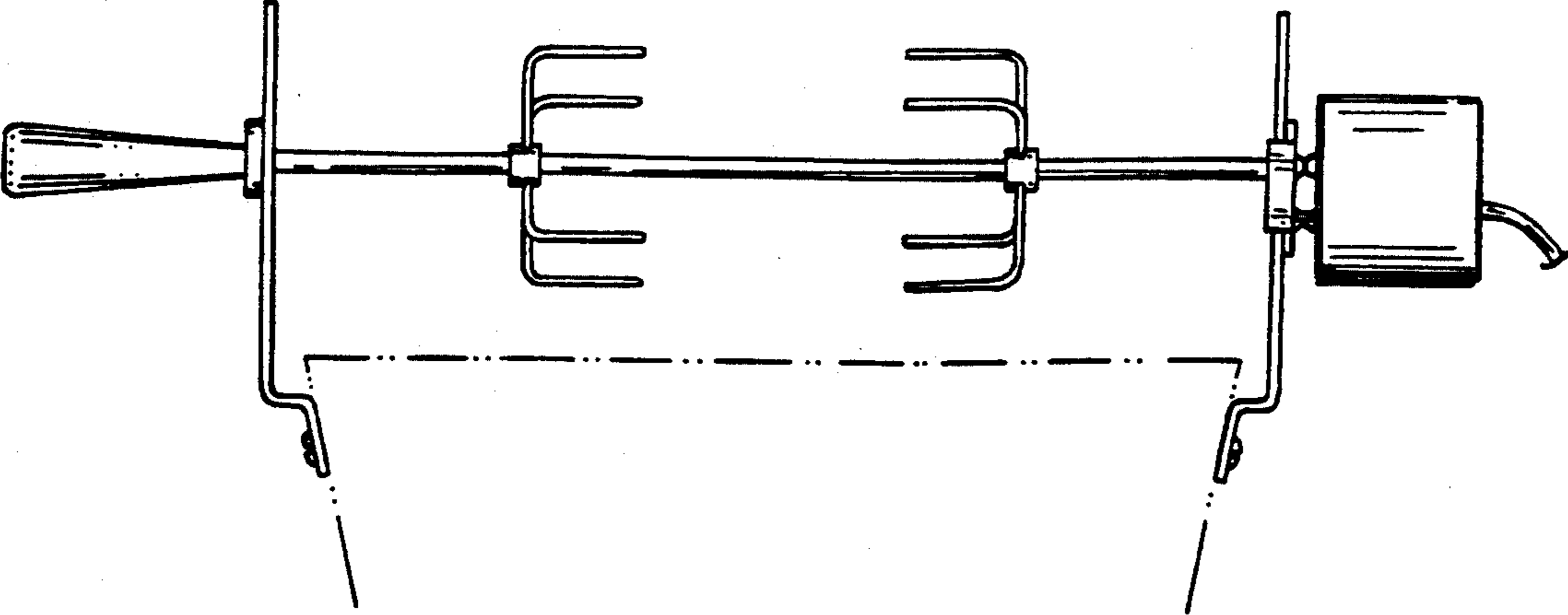


FIG. 3

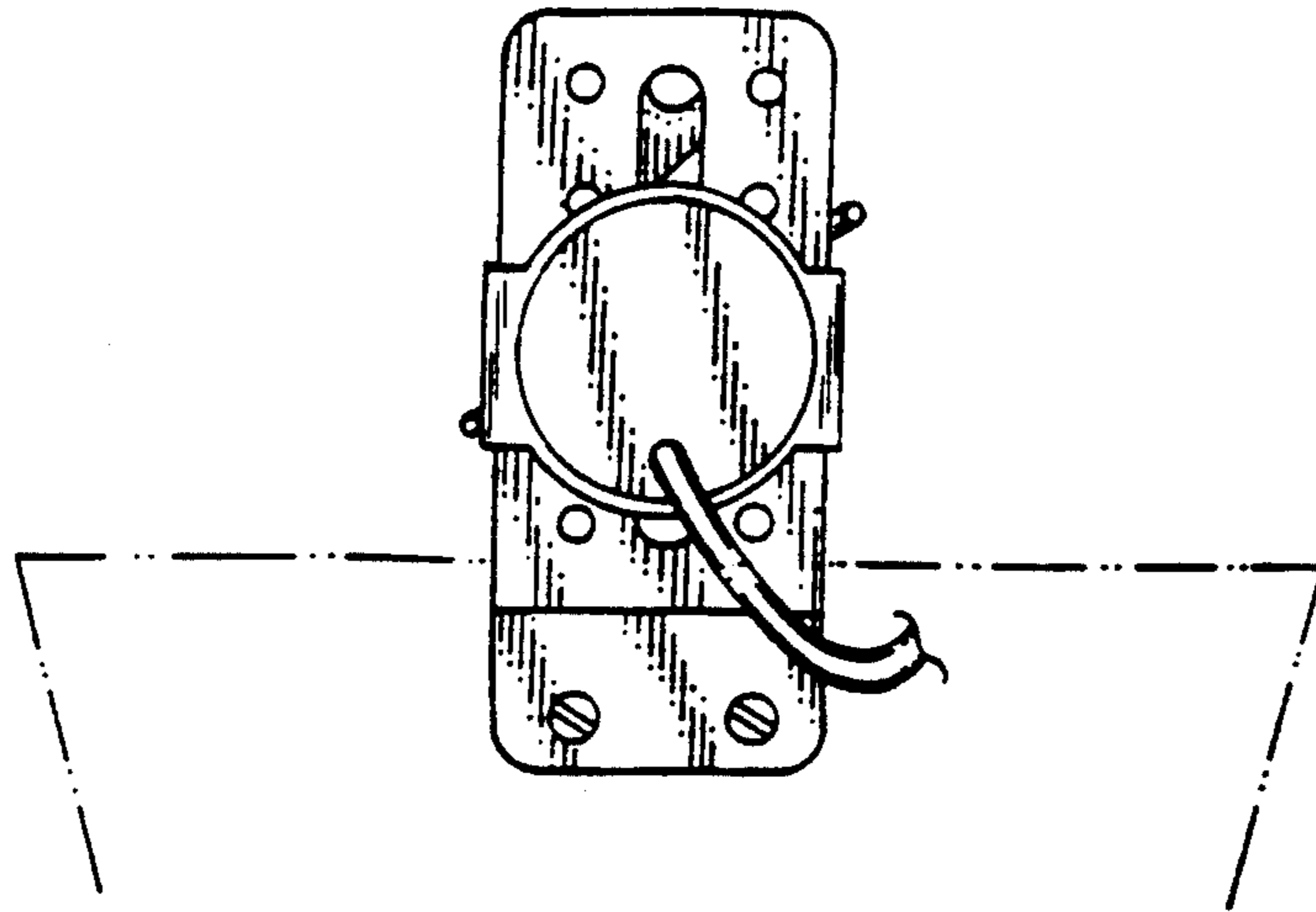


FIG. 4

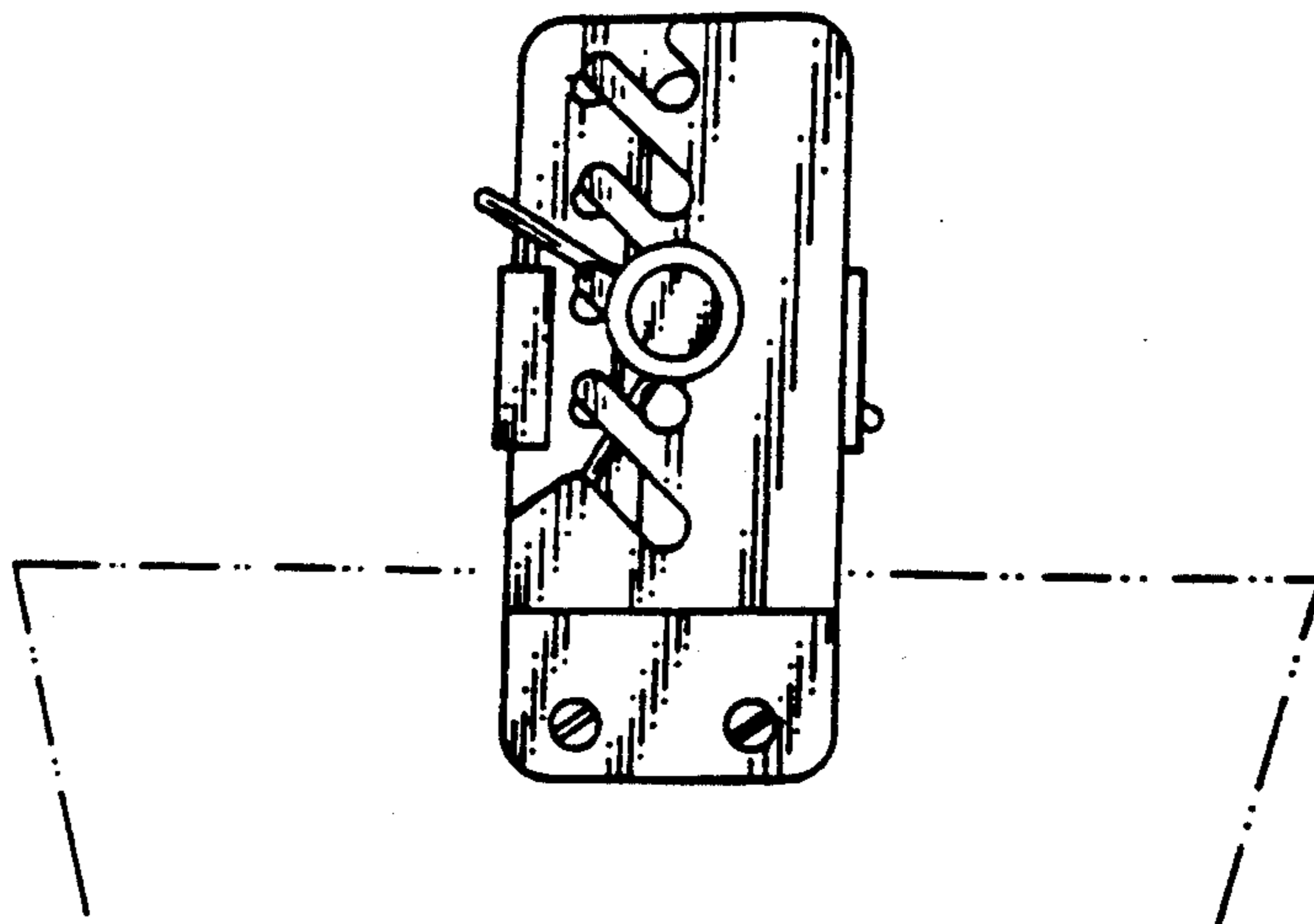


FIG. 5

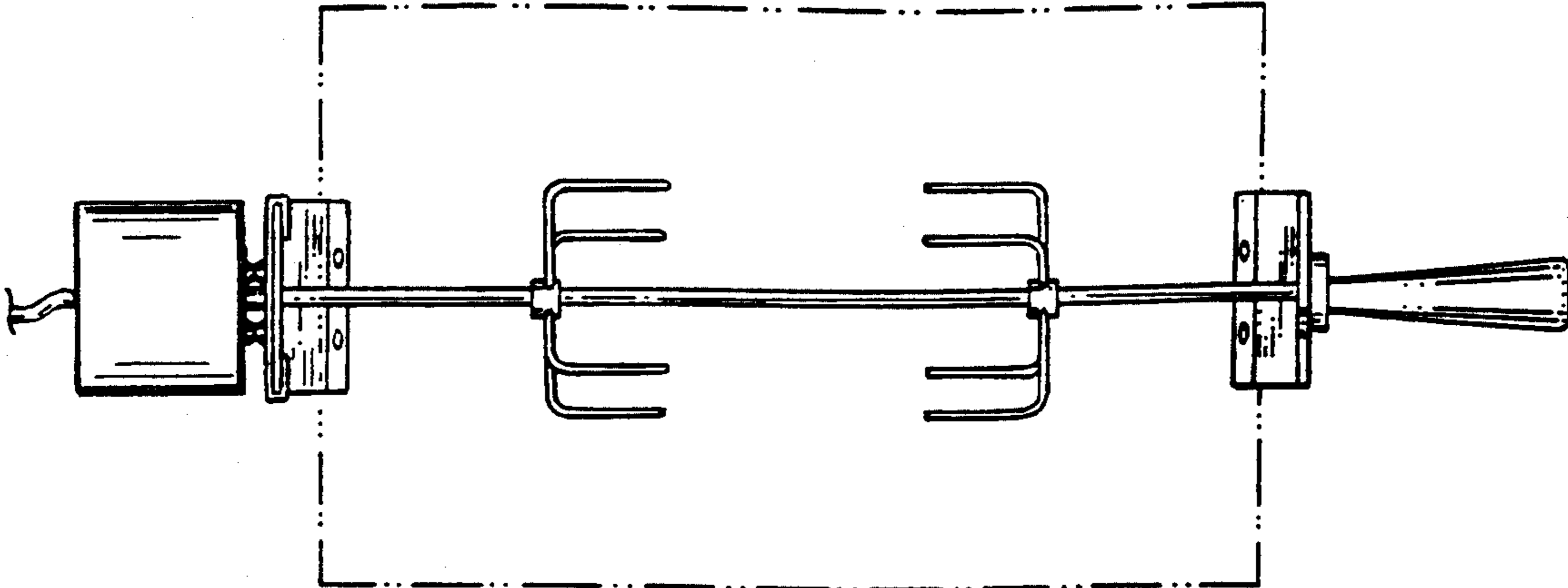


FIG. 6

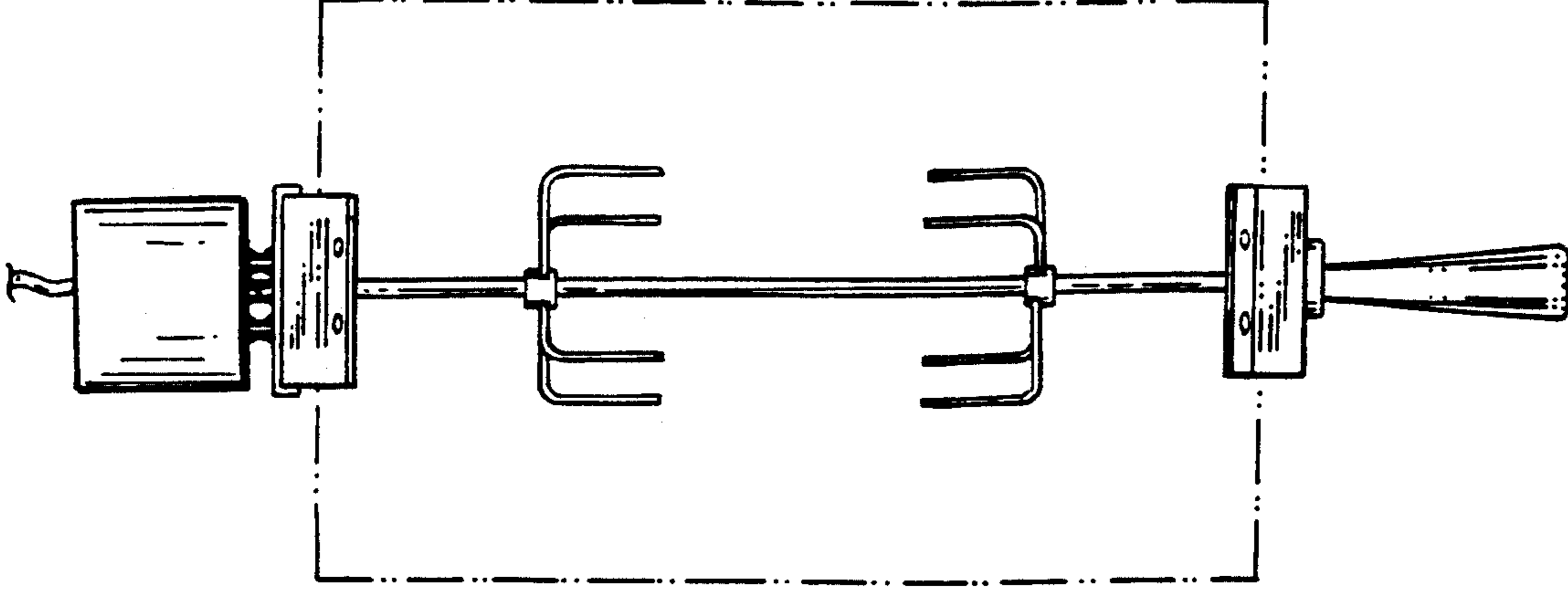


FIG. 7