



US00D336590S

United States Patent [19]

[11] Patent Number: **Des. 336,590**

Barnard

[45] Date of Patent: **** Jun. 22, 1993**

[54] **BLENDER WITH PITCHER AND BASE COMPONENTS**

[75] Inventor: **Frank P. Barnard, Cleveland, Ohio**

[73] Assignee: **Vita-Mix Corporation, Cleveland, Ohio**

[**] Term: **14 Years**

[21] Appl. No.: **701,961**

[22] Filed: **May 15, 1991**

[52] U.S. Cl. **D7/378; D7/376; D7/386; D7/413**

[58] Field of Search **D7/376-378, D7/386, 413; 366/129, 130, 197, 199, 204, 205, 314**

[56] **References Cited**

U.S. PATENT DOCUMENTS

D. 180,096	4/1957	Moore	D7/413
D. 198,070	4/1964	Musichuk	D7/386
D. 198,303	5/1964	Dewenter	D7/413
D. 204,117	3/1966	Di Sesa	D7/378
D. 204,224	3/1966	Gantz et al.	D7/378 X
D. 207,692	5/1967	Dykes	D7/378 X
D. 217,522	5/1970	Madl	D7/386
D. 232,297	8/1974	Mantelet	D7/378
D. 255,759	7/1980	Ernest	D7/378 X

OTHER PUBLICATIONS

Hamilton Beach Inc., A Glen Dimplex Company, Washington, NC 27889; undated instruction sheet, 1 page.

Oster Division of Sunbeam Corporation, Professional Products Dept., 5055 N. Lydell Avenue, Milwaukee, Wis. 53217; 6 brochure pages; 1986.

Waring Commercial, 1 page brochure, undated.

Robot-Coupe, 1 page brochure, undated.

Vita-Mix Corporation, 8615 Usher Road, Cleveland, Ohio, 1 page brochure, 1991.

Primary Examiner—Alan P. Douglas

Assistant Examiner—Caron D. Veynar

Attorney, Agent, or Firm—Renner, Kenner, Grieve, Bobak, Taylor & Weber

[57] **CLAIM**

The ornamental design for a blender with pitcher and base components, as shown and described.

DESCRIPTION

FIG. 1 is a perspective view of a blender with pitcher and base components showing my new design;

FIG. 2 is a front elevational view thereof;

FIG. 3 is a side elevational view thereof taken from the right of FIG. 1;

FIG. 4 is a rear elevational view thereof;

FIG. 5 is a top plan view thereof;

FIG. 6 is a bottom plan view thereof;

FIG. 7 is a perspective view of the base component of the blender of FIG. 1;

FIG. 8 is a front elevational view thereof;

FIG. 9 is a side elevational view thereof taken from the right of the base component of FIG. 7;

FIG. 10 is a rear elevational view thereof;

FIG. 11 is a top plan view thereof;

FIG. 12 is a bottom plan view thereof;

FIG. 13 is a perspective view of the pitcher component of the blender of FIG. 1;

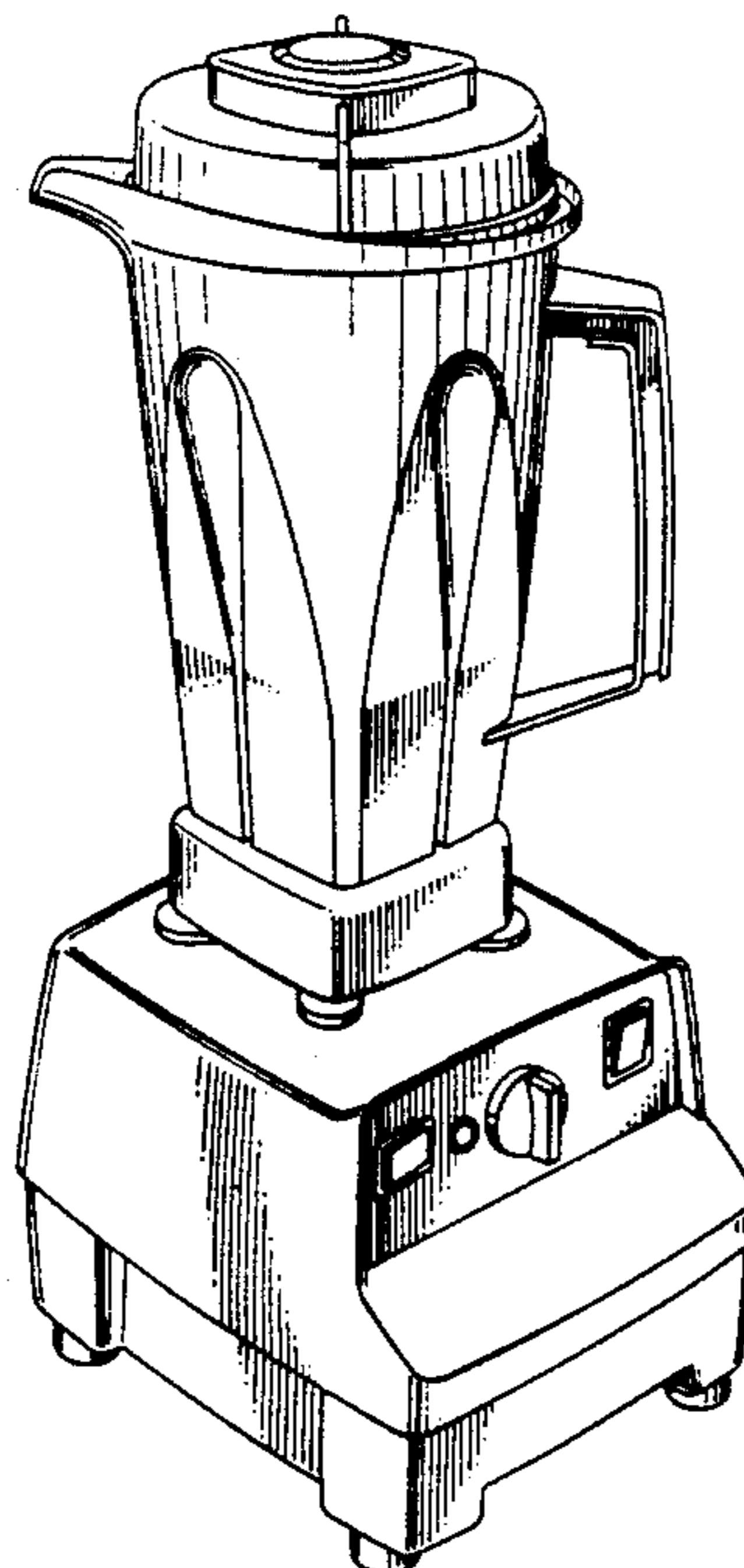
FIG. 14 is a rear elevational view thereof taken from the right of the pitcher component of FIG. 13;

FIG. 15 is a side elevational view thereof;

FIG. 16 is a front elevational view thereof taken from the left of the pitcher component of FIG. 13;

FIG. 17 is a bottom plan view thereof; and,

FIG. 18 is a top plan view thereof.



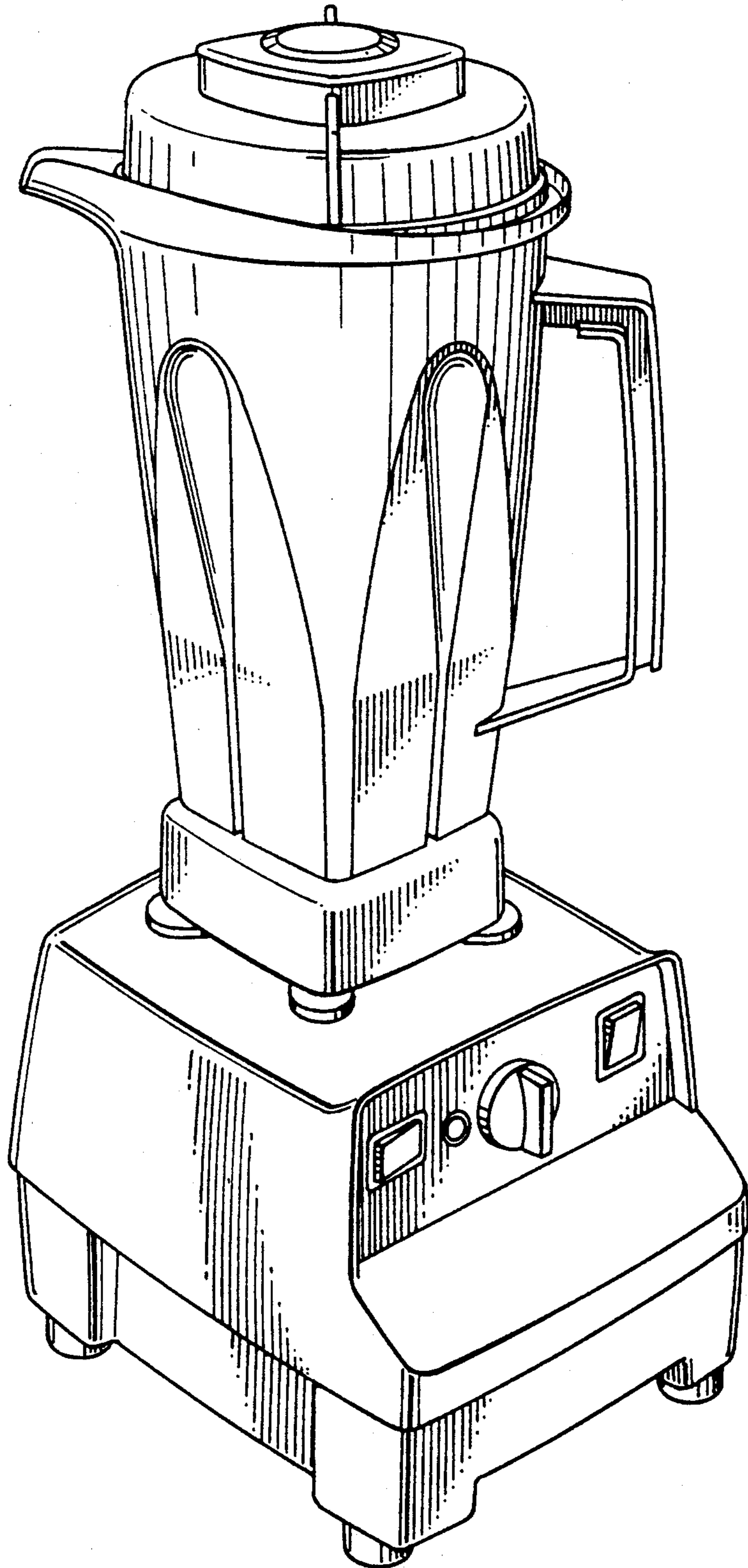


FIG. 1

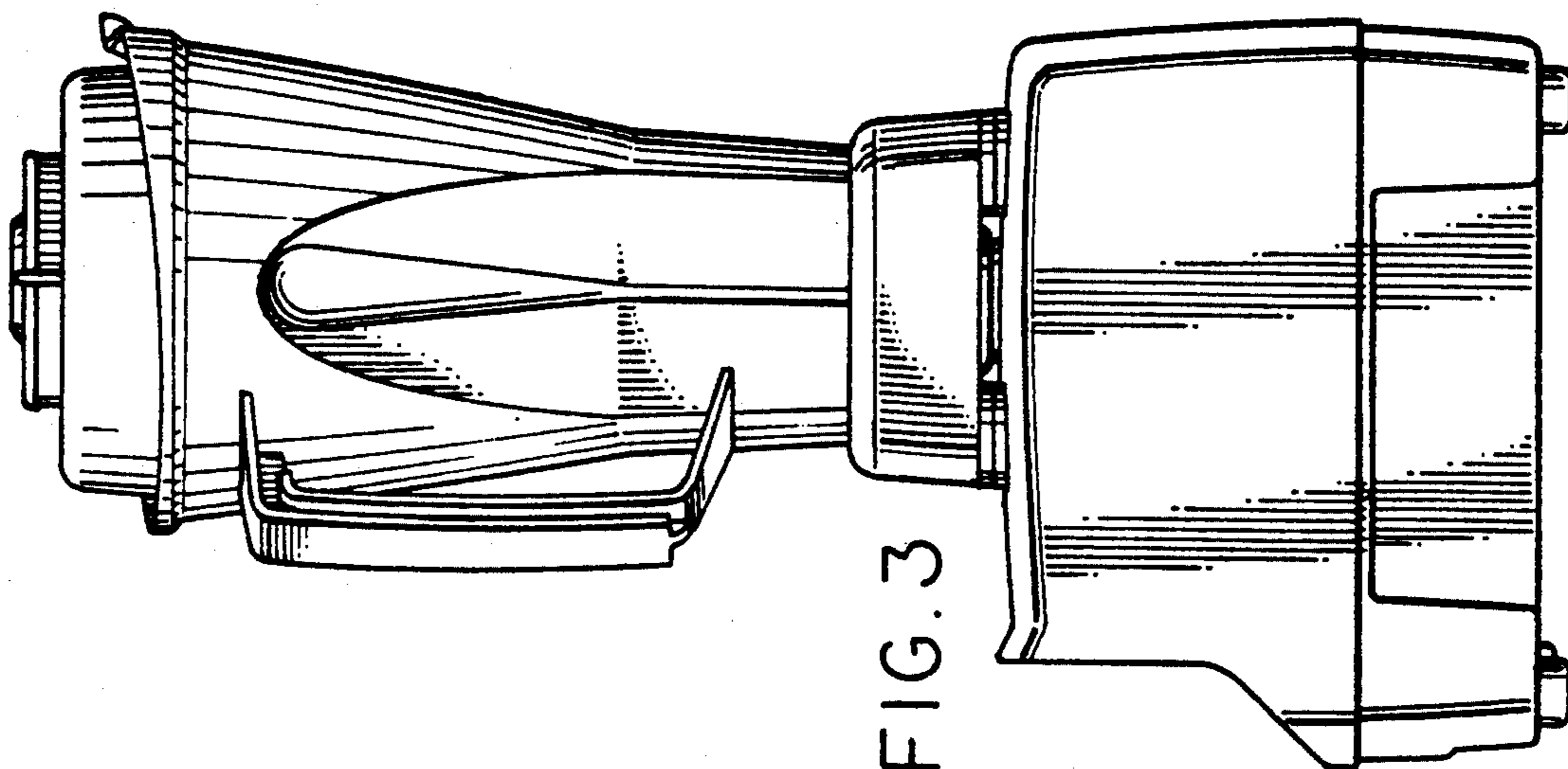


FIG. 3

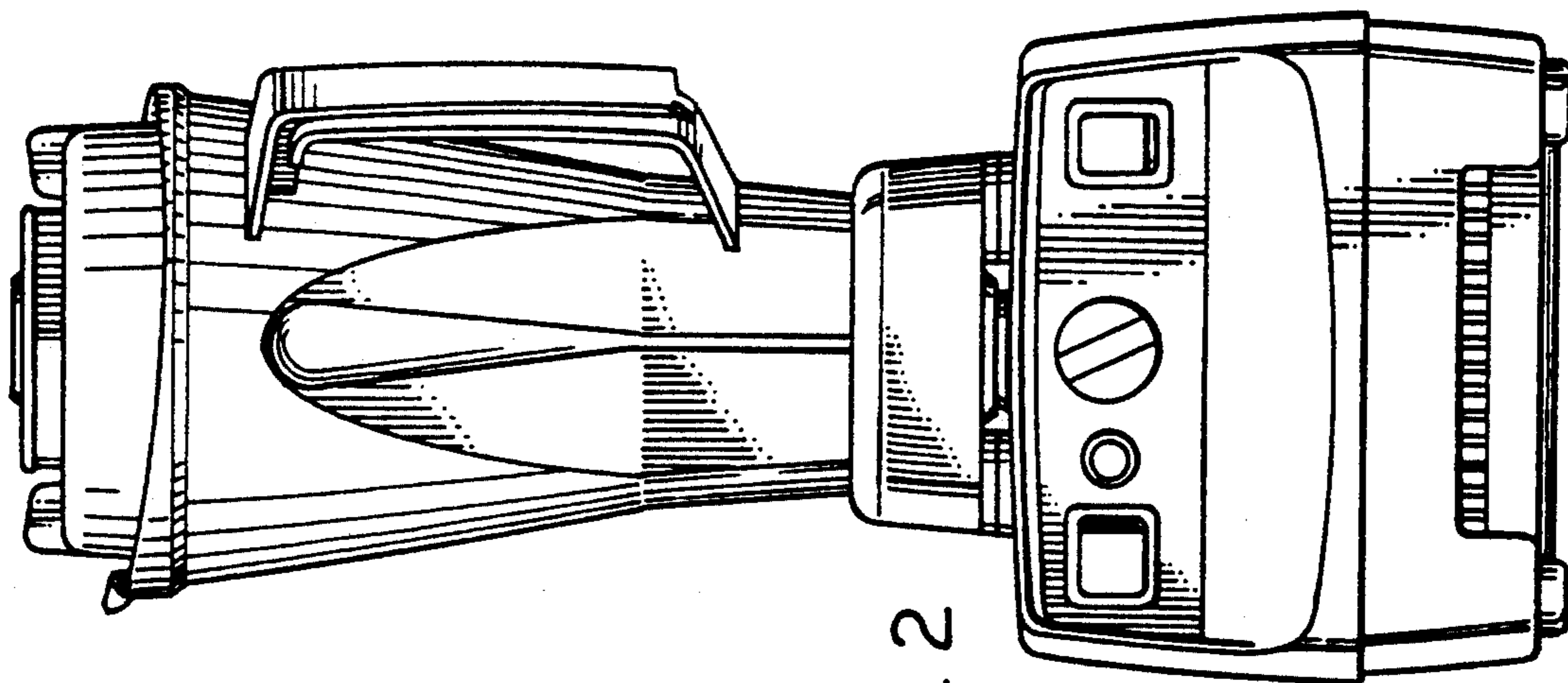


FIG. 2

FIG. 5

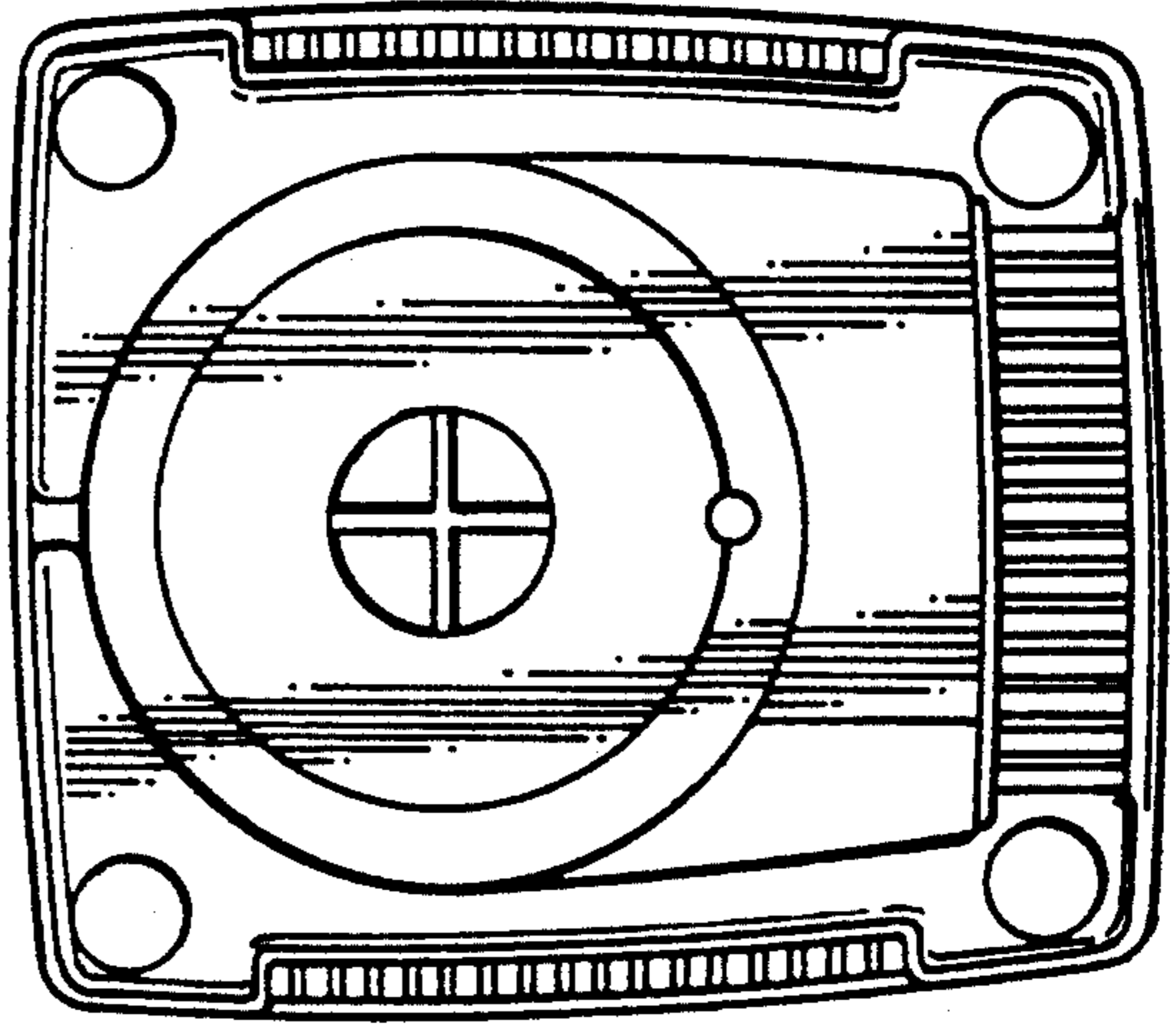
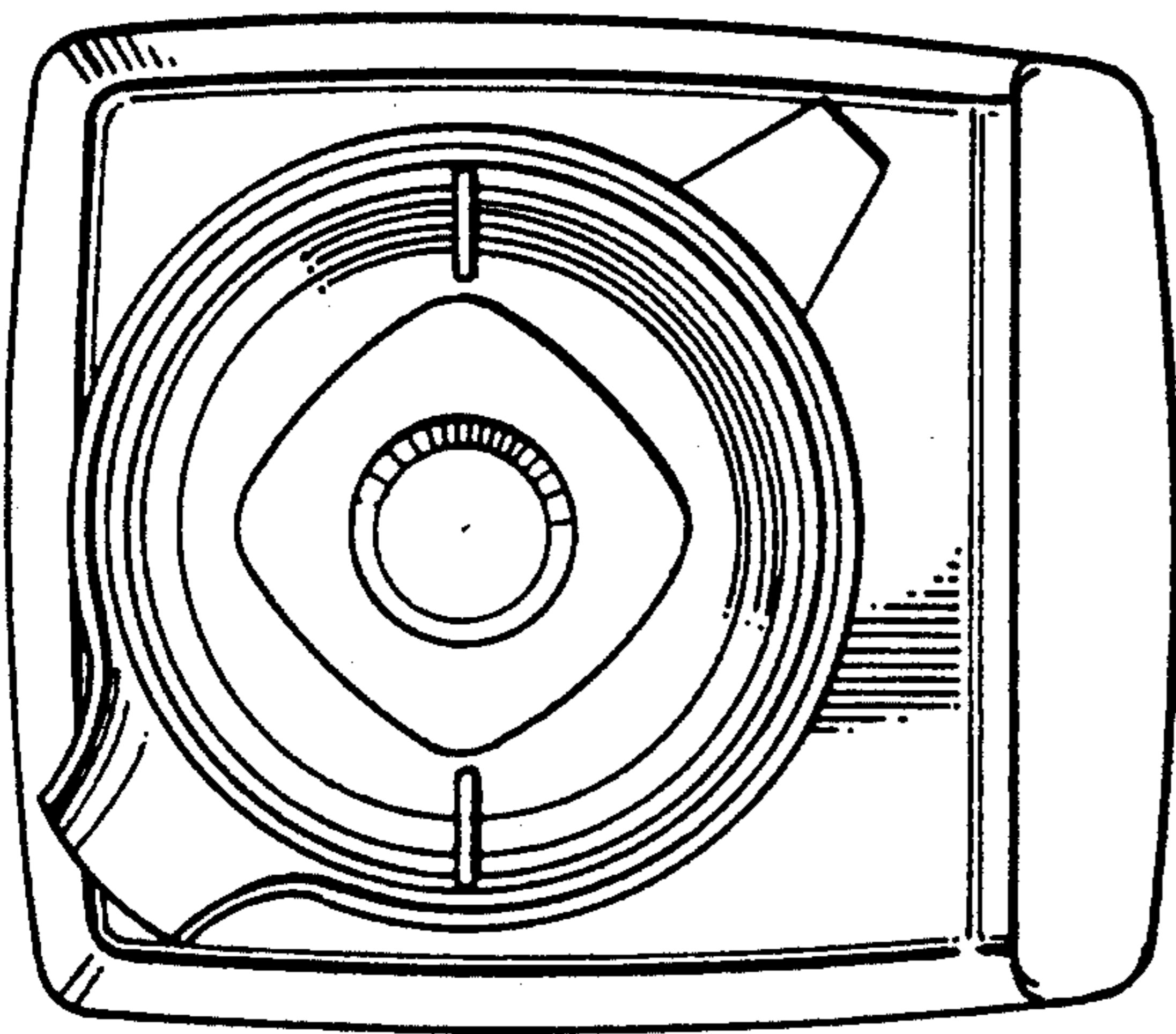


FIG. 6

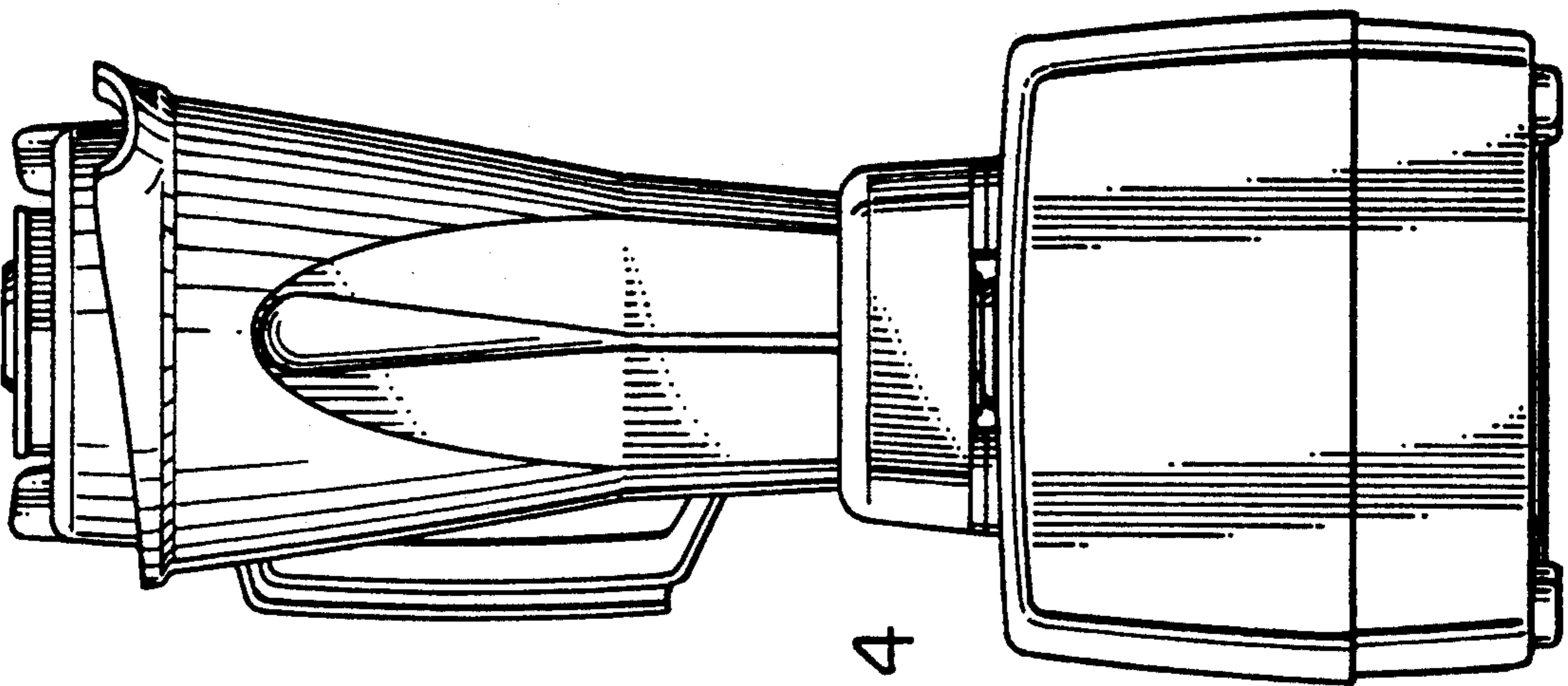


FIG. 4

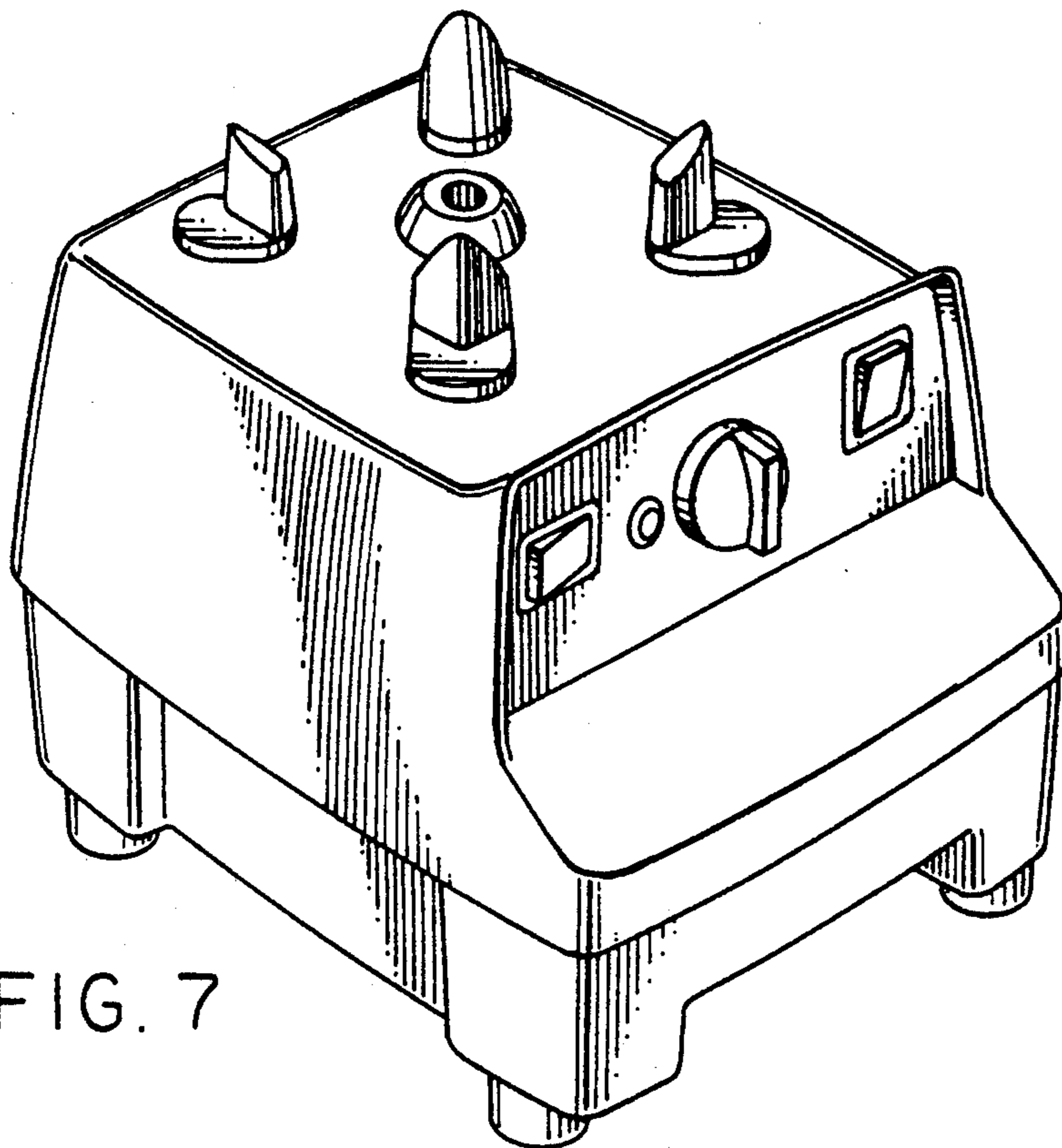


FIG. 7

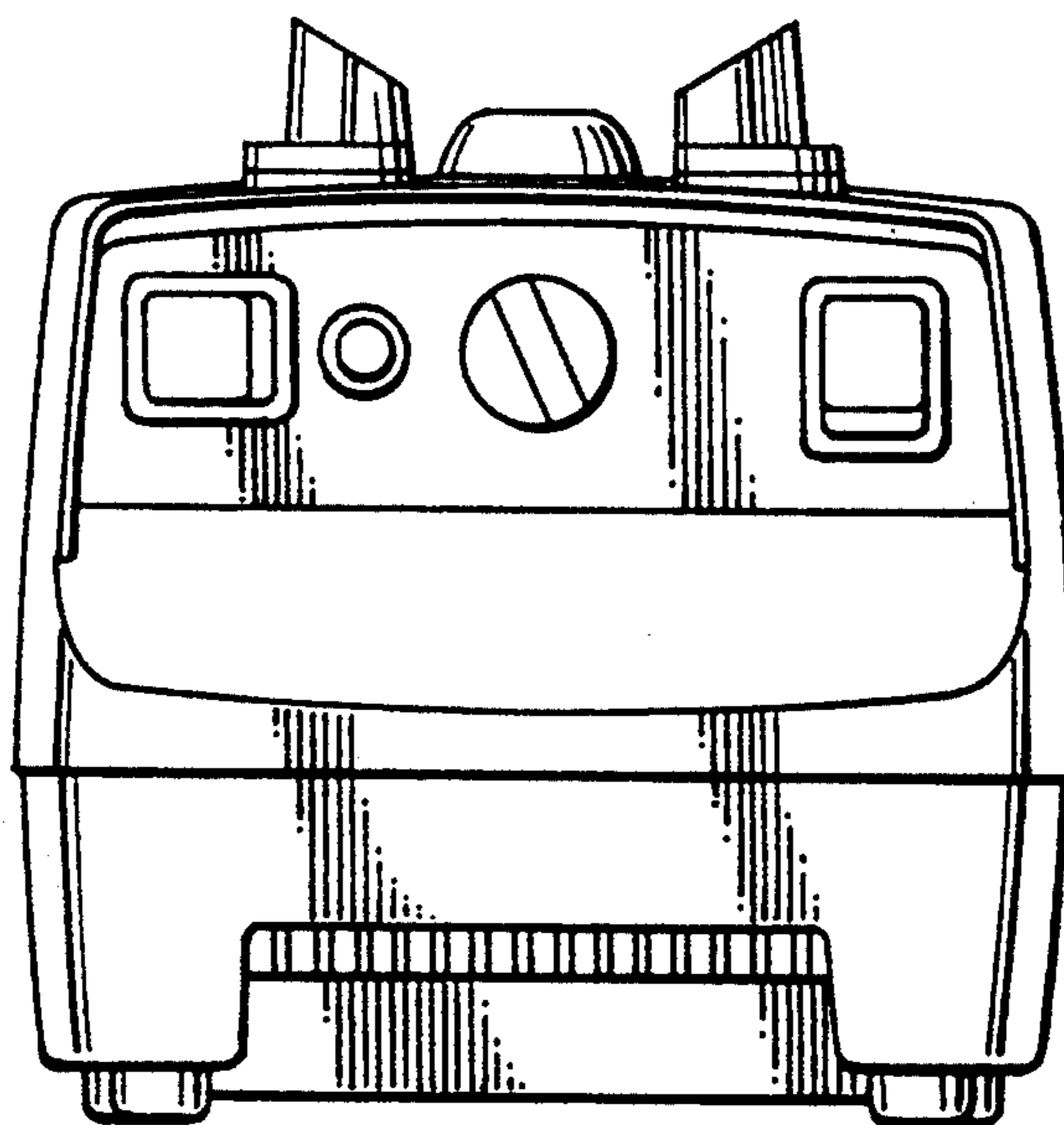


FIG. 8

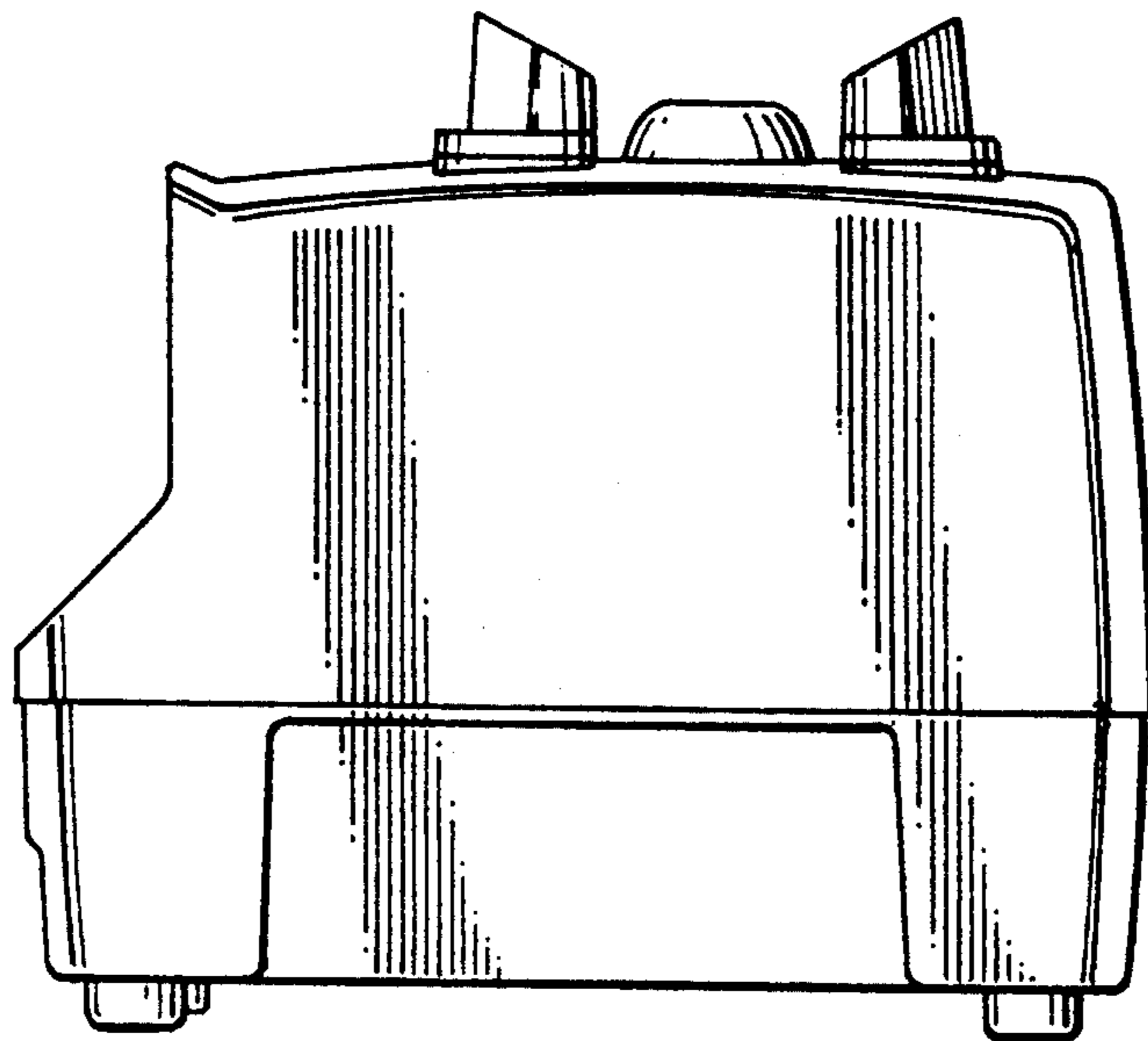


FIG. 9

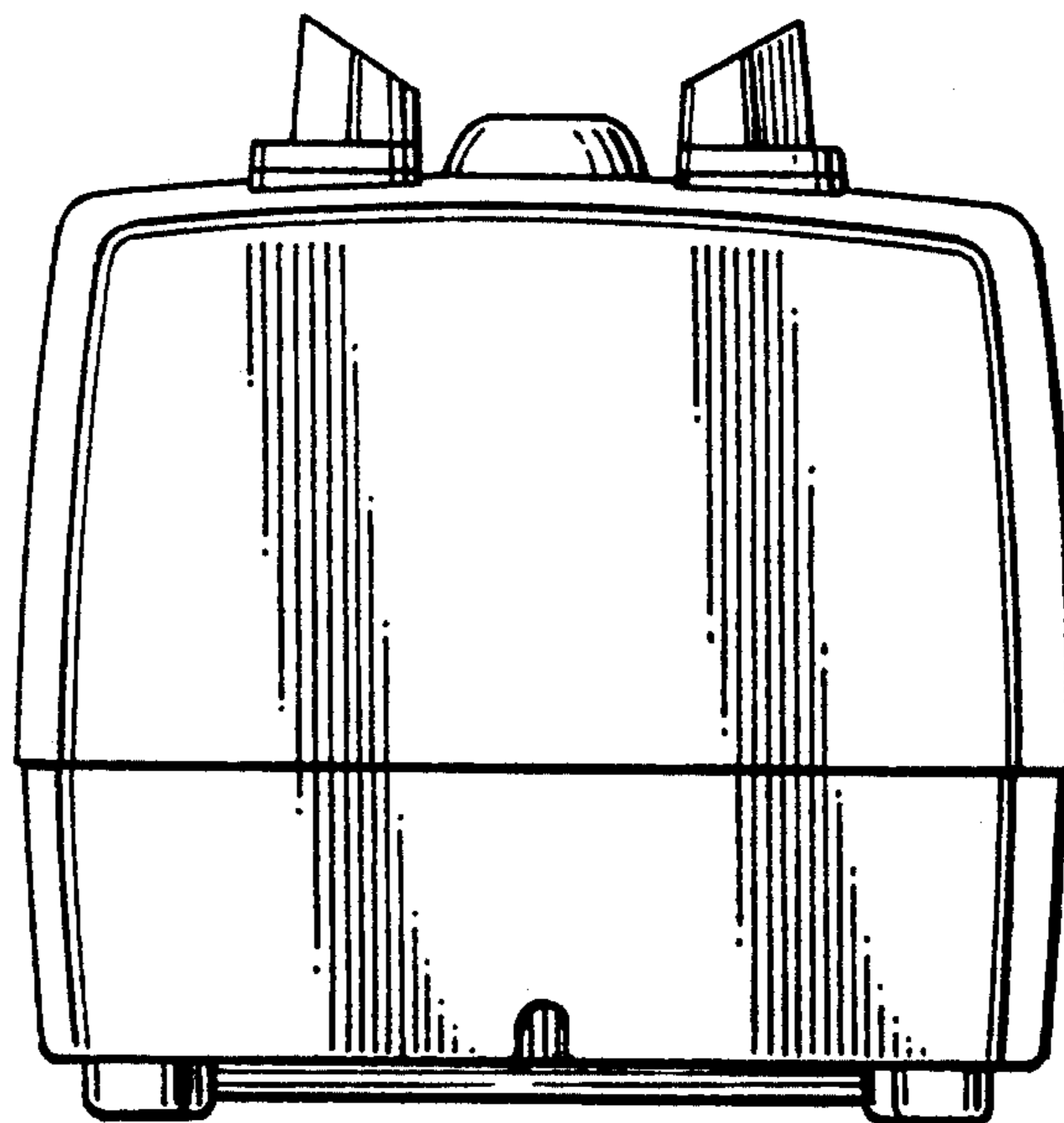


FIG. 10

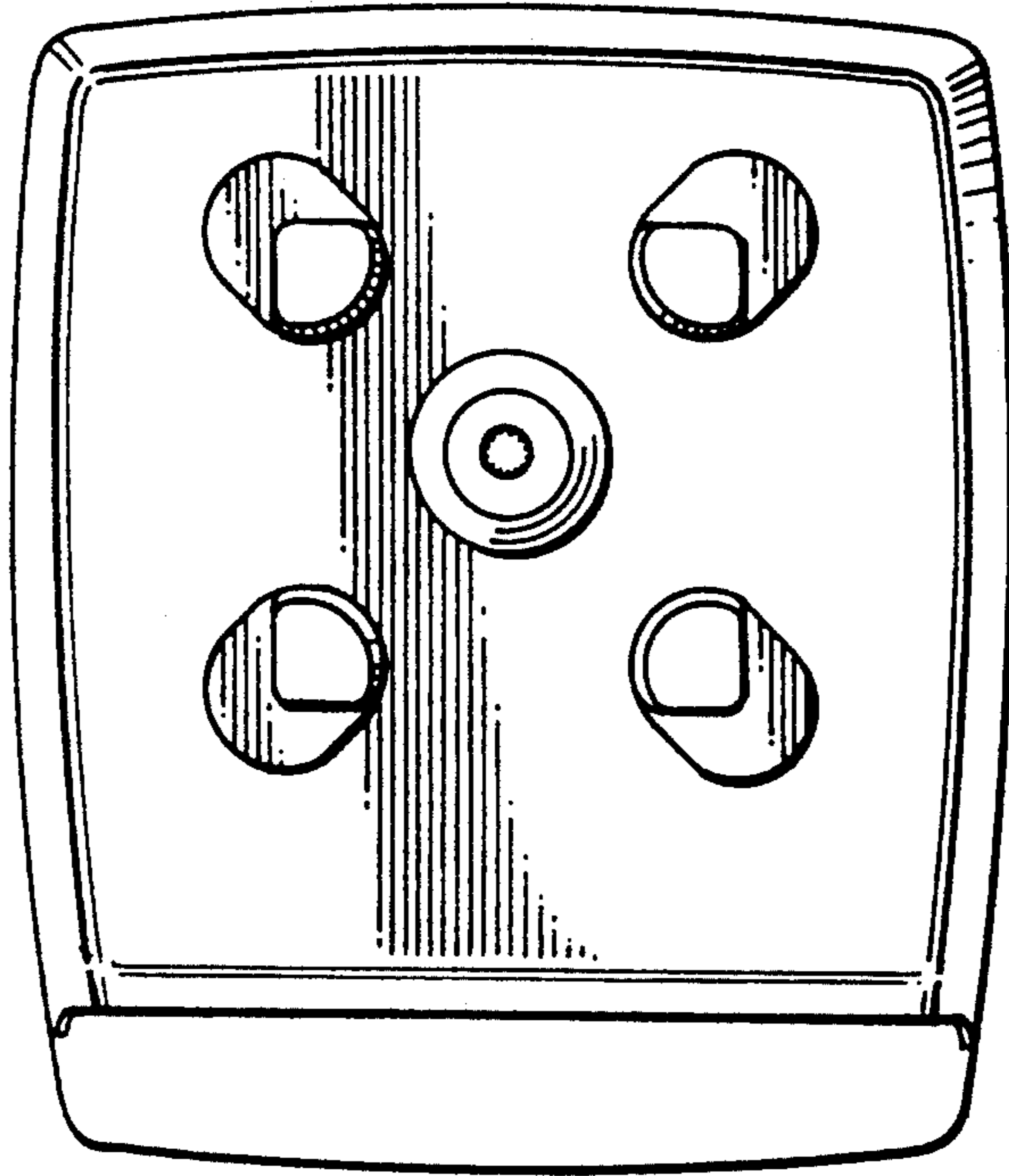


FIG. 11

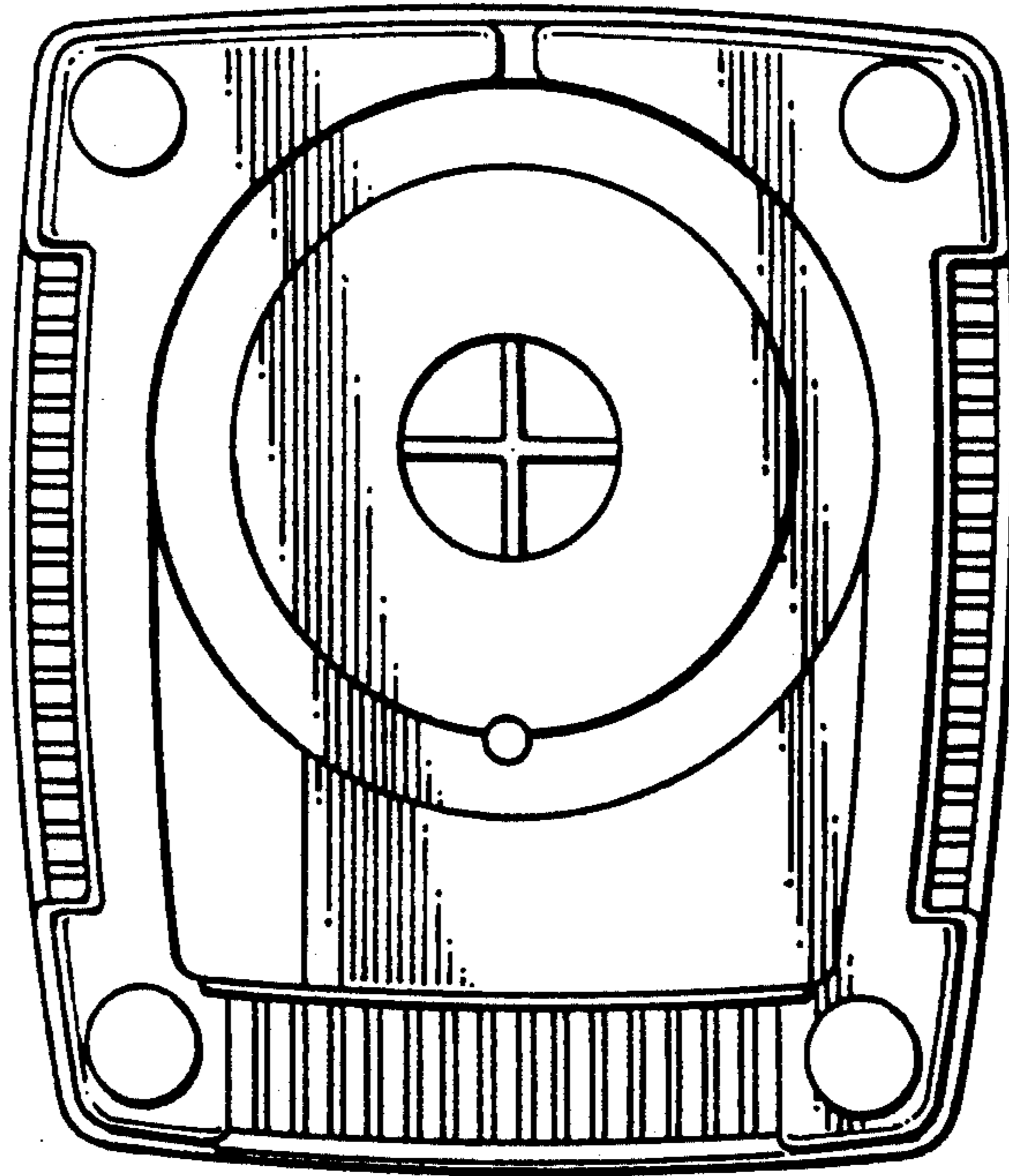


FIG. 12

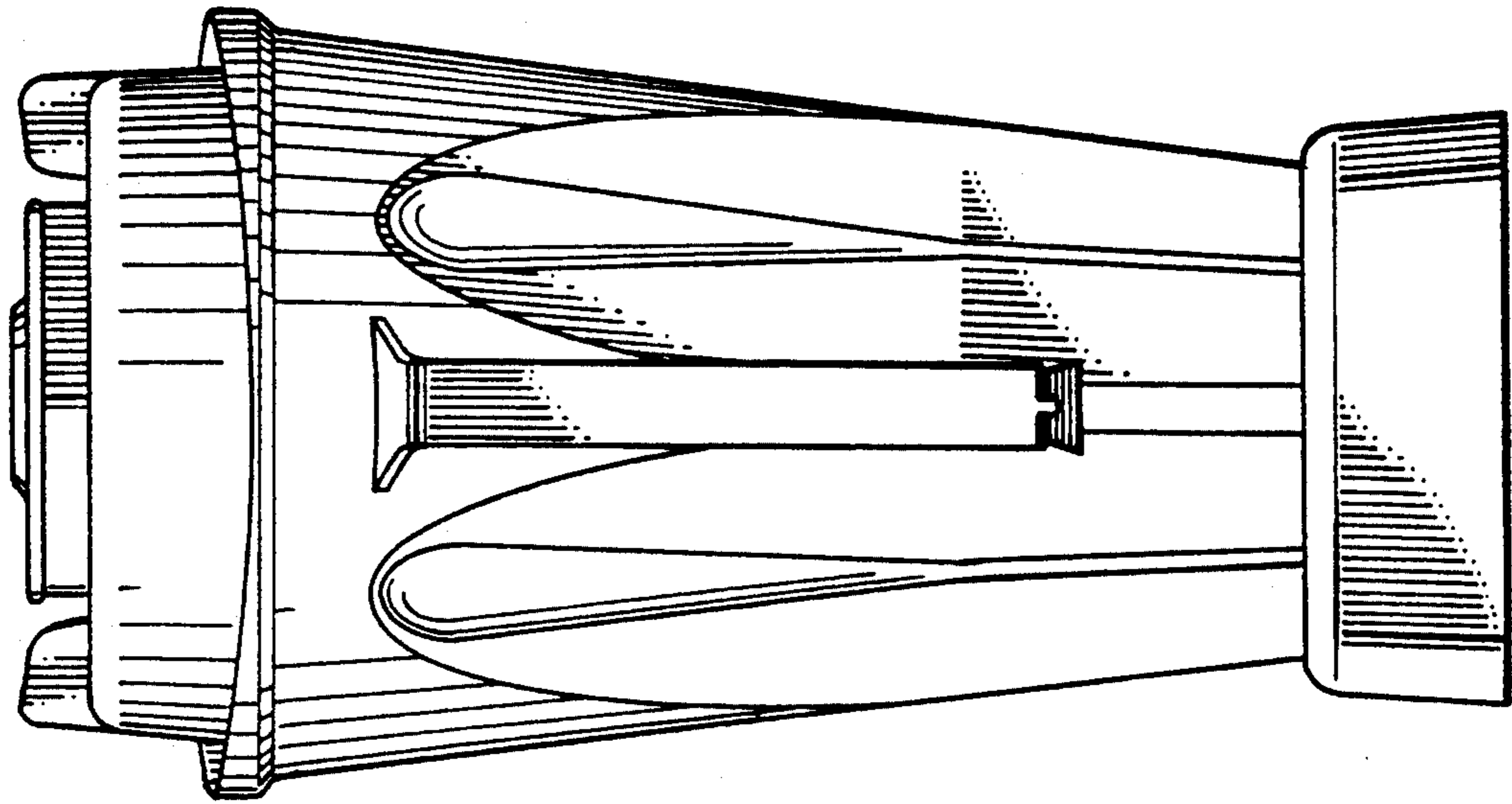


FIG. 14

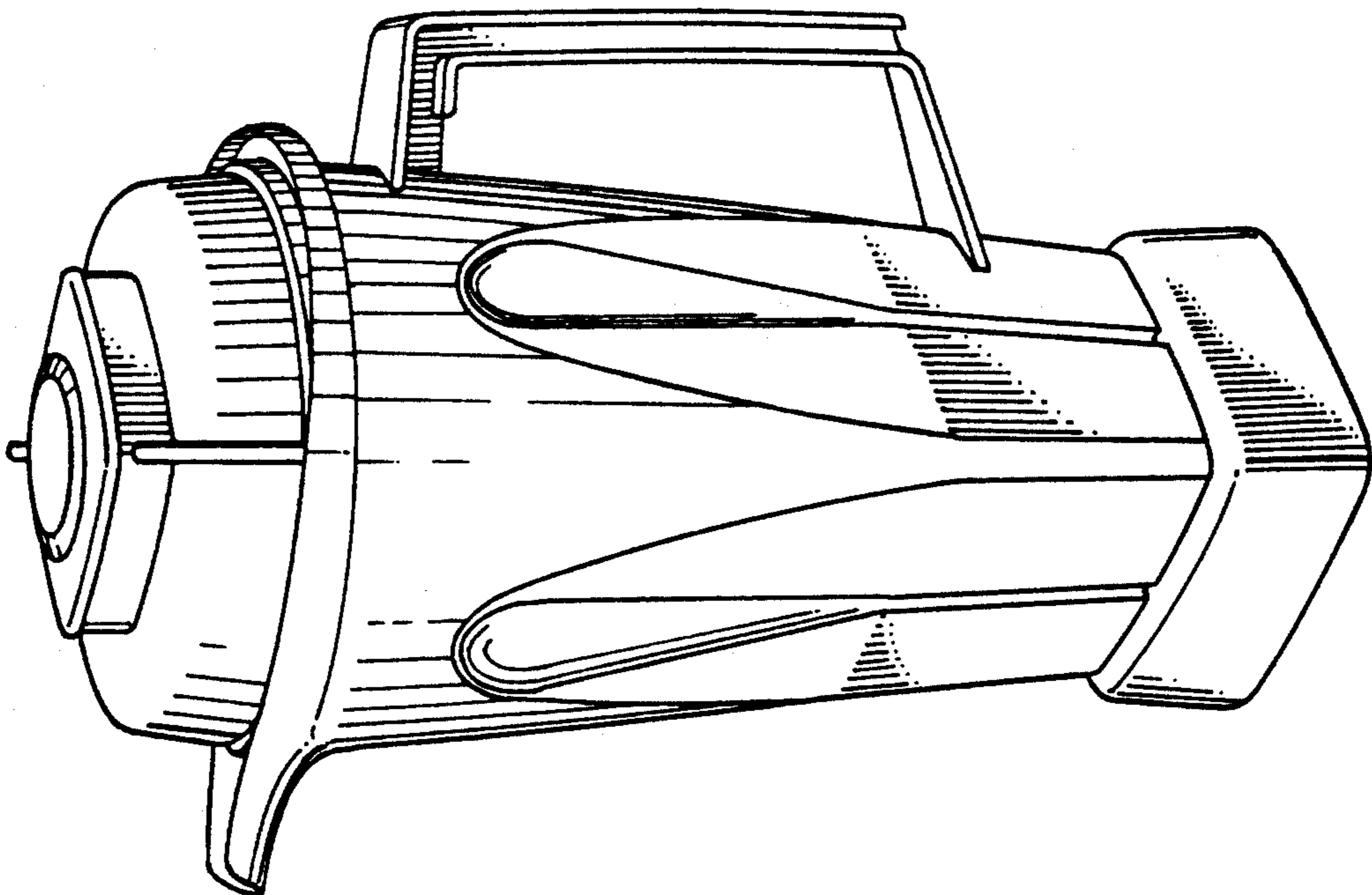


FIG. 13

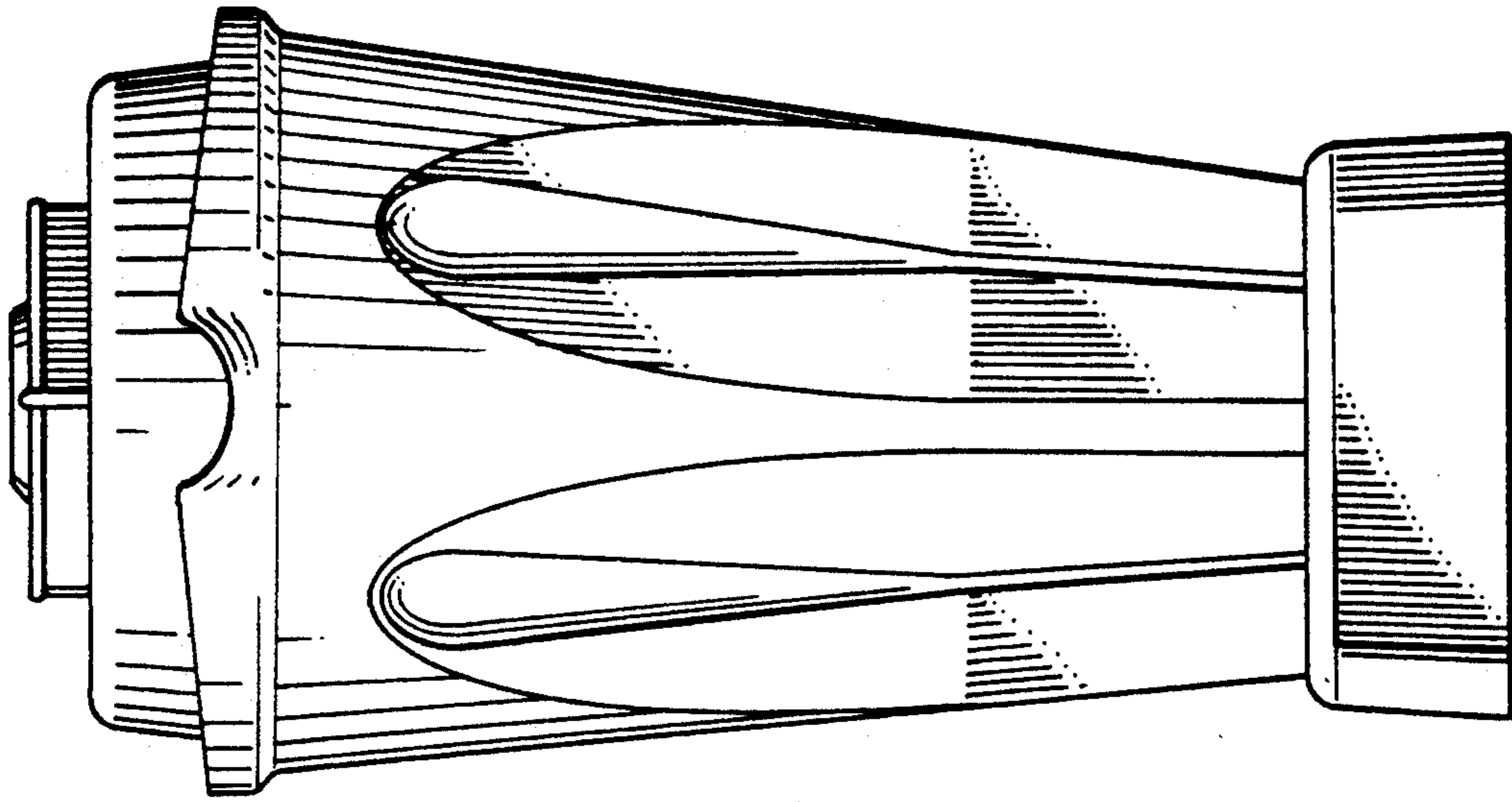


FIG. 16

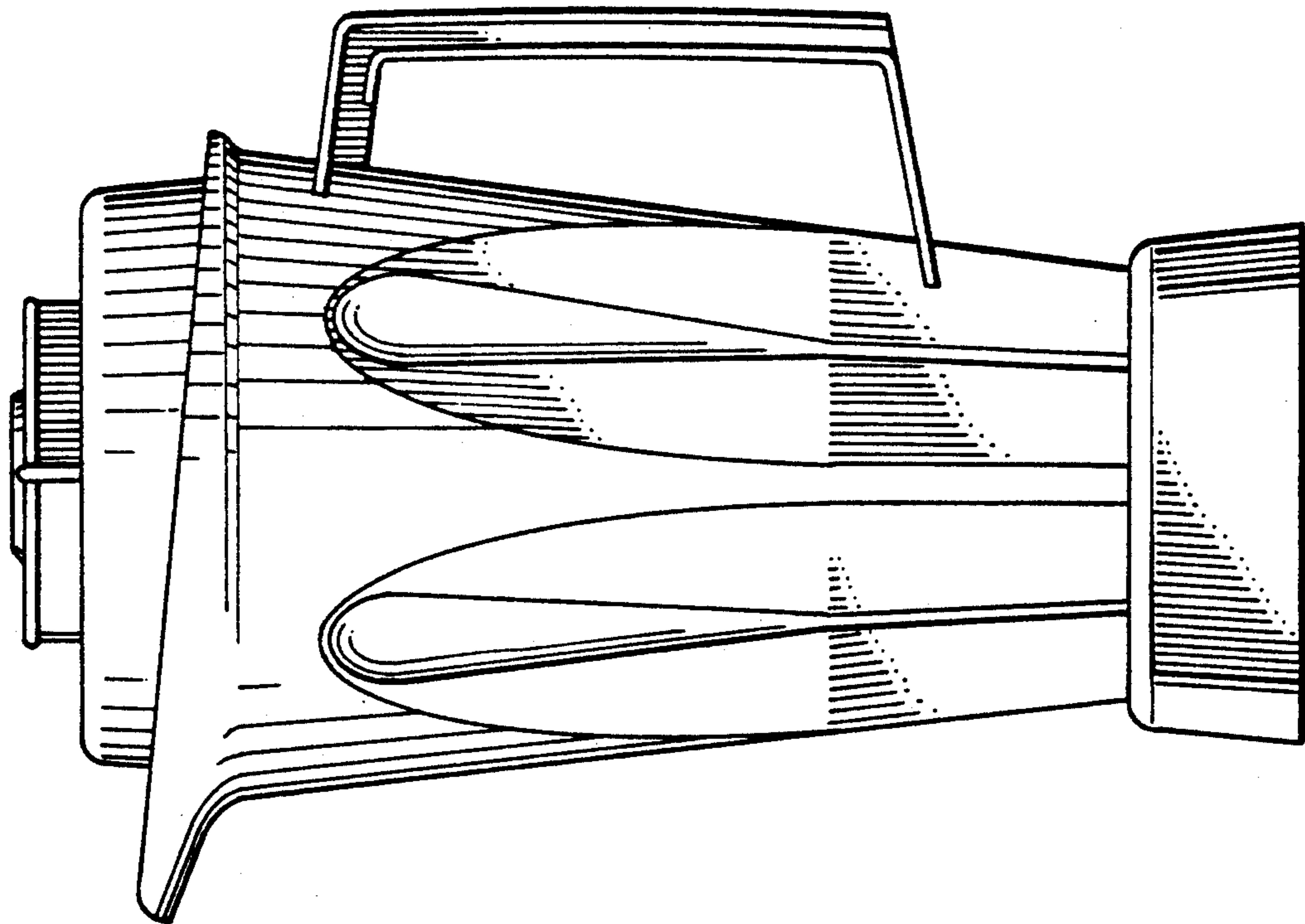


FIG. 15

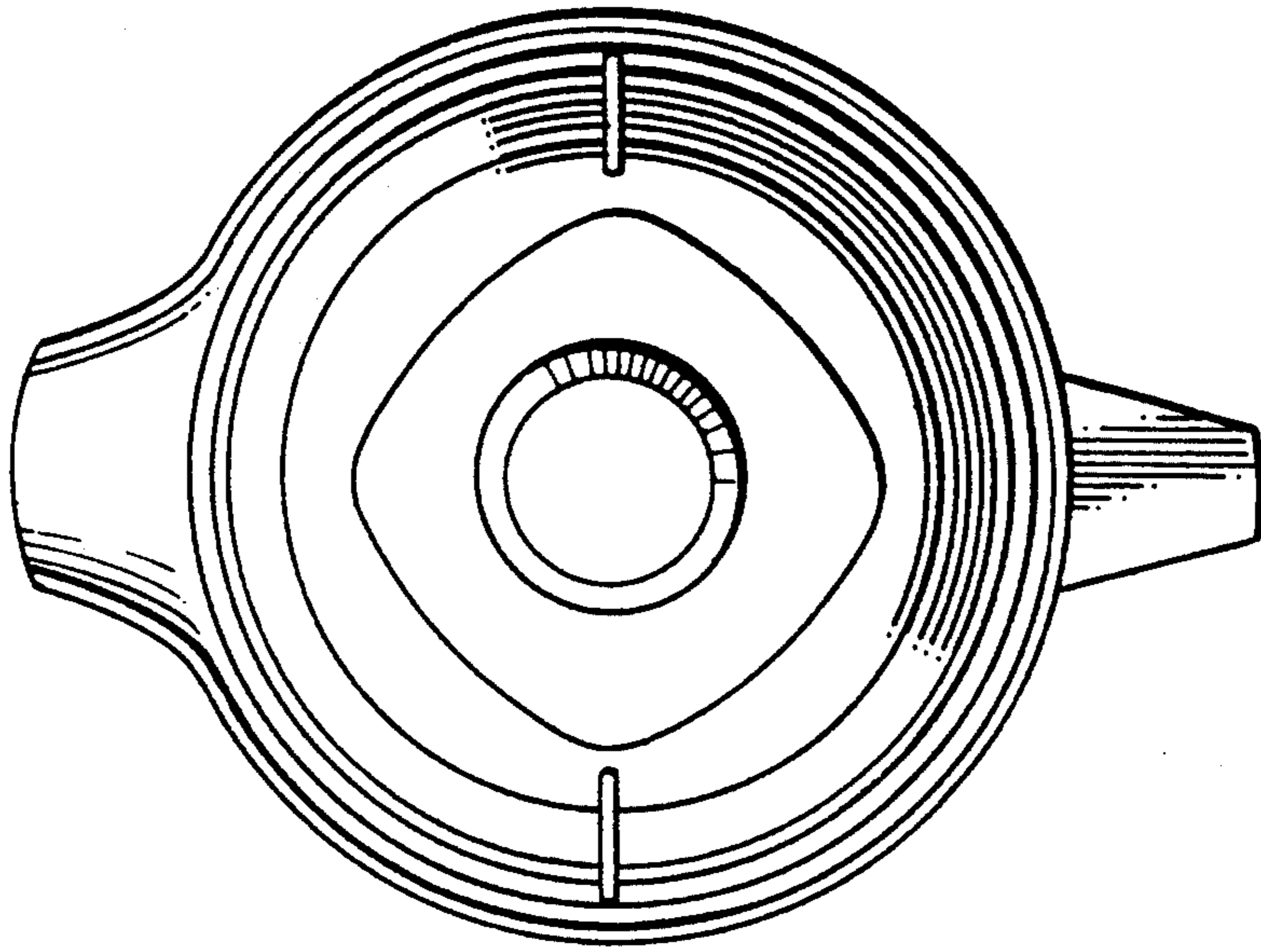


FIG. 18

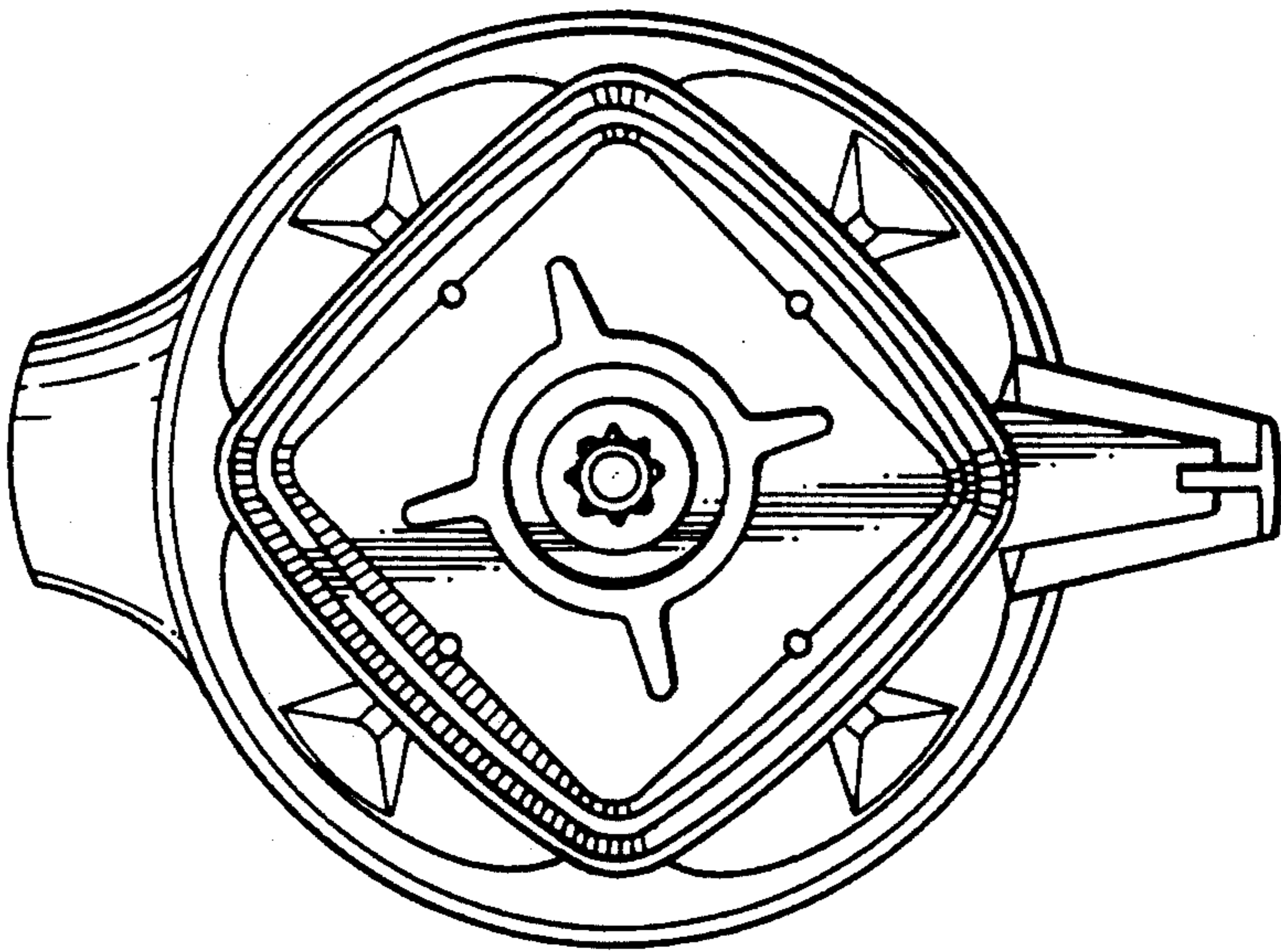


FIG. 17