



US00D336582S

United States Patent [19] Harrison

[11] Patent Number: **Des. 336,582**
[45] Date of Patent: **** Jun. 22, 1993**

[54] PAPER TOWEL DISPENSER
[76] Inventor: **Robert B. Harrison**, 125 Marlou Pkwy., Des Moines, Iowa 50320
[**] Term: **14 Years**
[21] Appl. No.: **556,796**
[22] Filed: **Jul. 23, 1990**
[52] U.S. Cl. **D6/522**
[58] Field of Search **D6/515, 518, 522-523; 221/282-286, 312 A; 242/55.2**

4,089,481 5/1978 Ciuci D6/523 X
4,093,139 6/1978 Amoretti D6/518 X
4,114,824 9/1978 Danielak D6/523 X

Primary Examiner—Brian N. Vinson
Attorney, Agent, or Firm—G. Brian Pingel

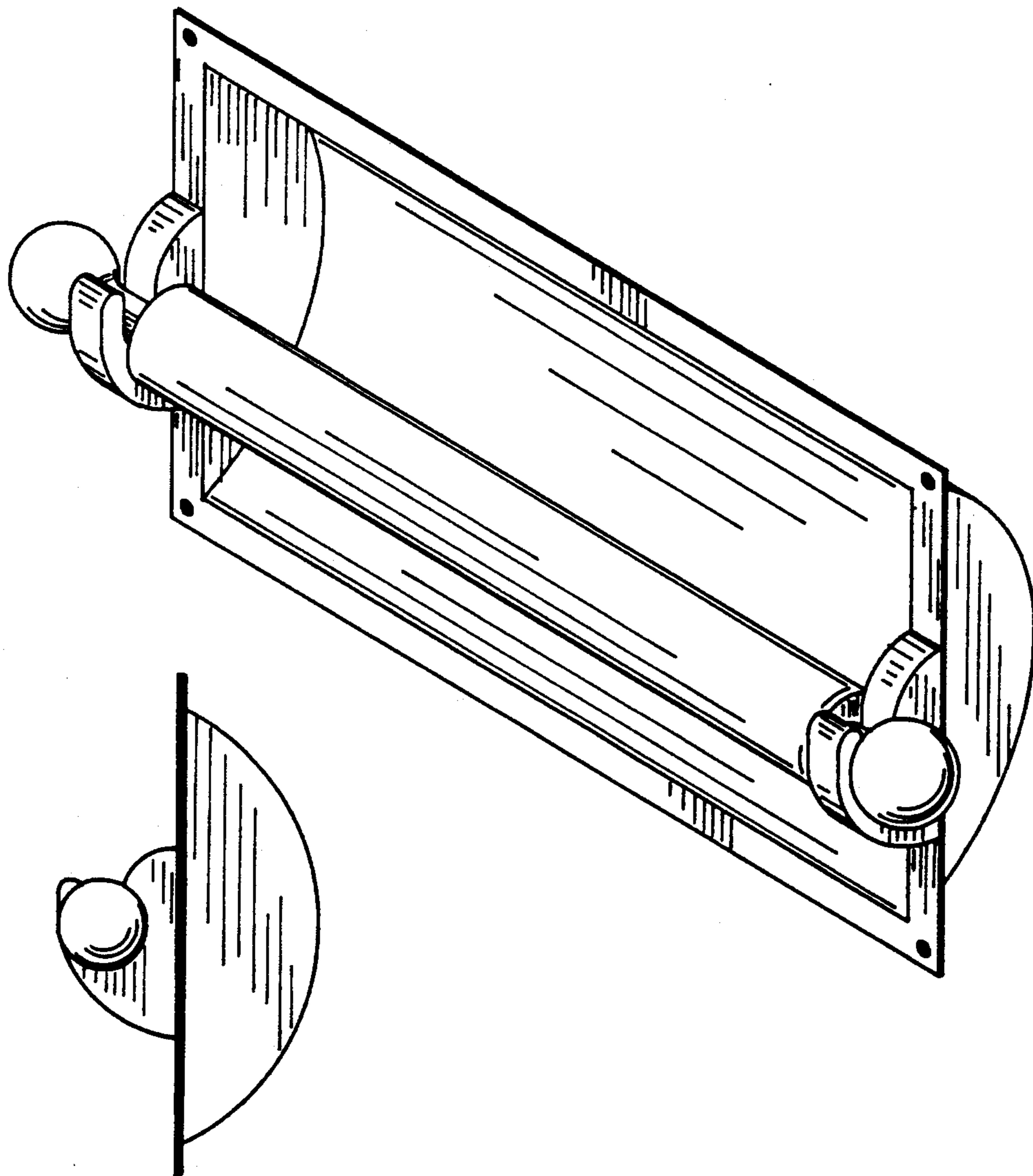
[57] CLAIM

The ornamental design for a paper towel dispenser, as shown and described.

DESCRIPTION

FIG. 1 is a top, front, and right side perspective view of a paper towel dispenser showing my new design; FIG. 2 is a front elevational view thereof; FIG. 3 is a rear elevational view thereof; FIG. 4 is a right side elevational view thereof, the left side being a mirror image of that shown; FIG. 5 is a bottom plan view thereof; and, FIG. 6 is a top plan view thereof.

[56] **References Cited**
U.S. PATENT DOCUMENTS
D. 292,546 11/1987 Tegner D6/523
1,745,771 2/1930 Sherwood D6/518 X
3,049,310 8/1962 Wolfe D6/520 X
3,291,354 12/1966 Ziebarth 242/55.53 X



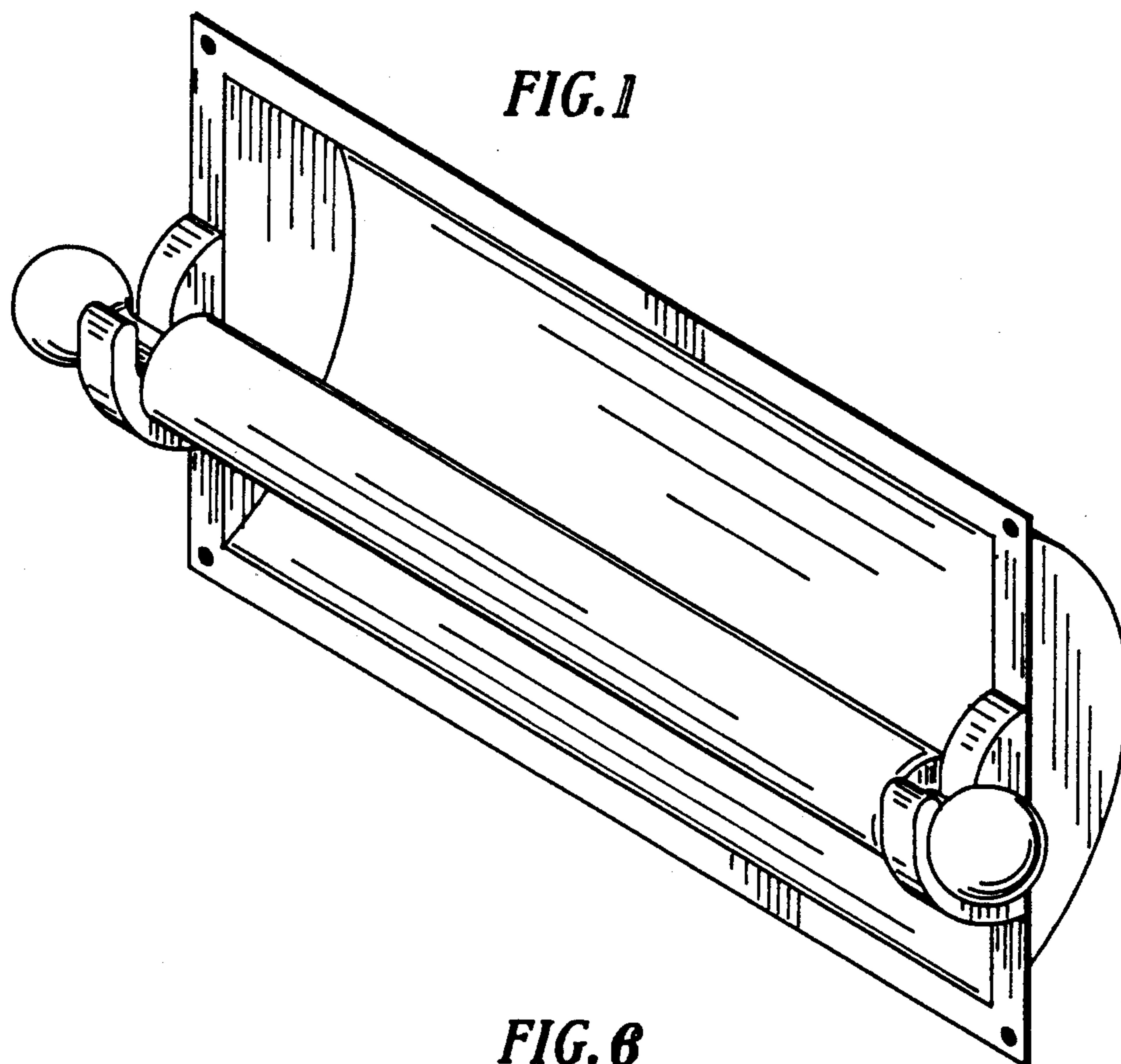


FIG. 6

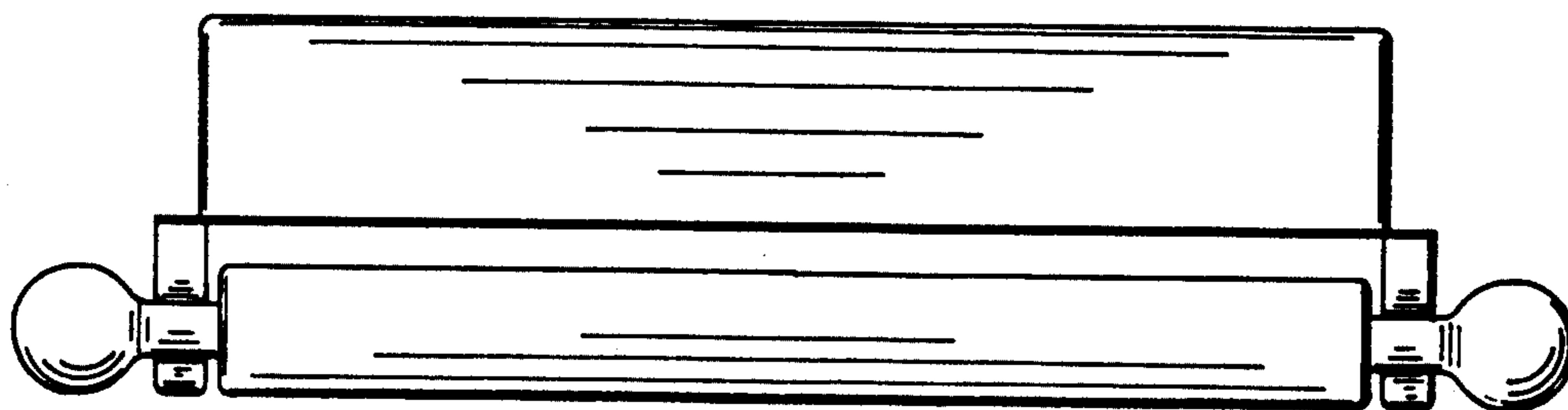


FIG. 2

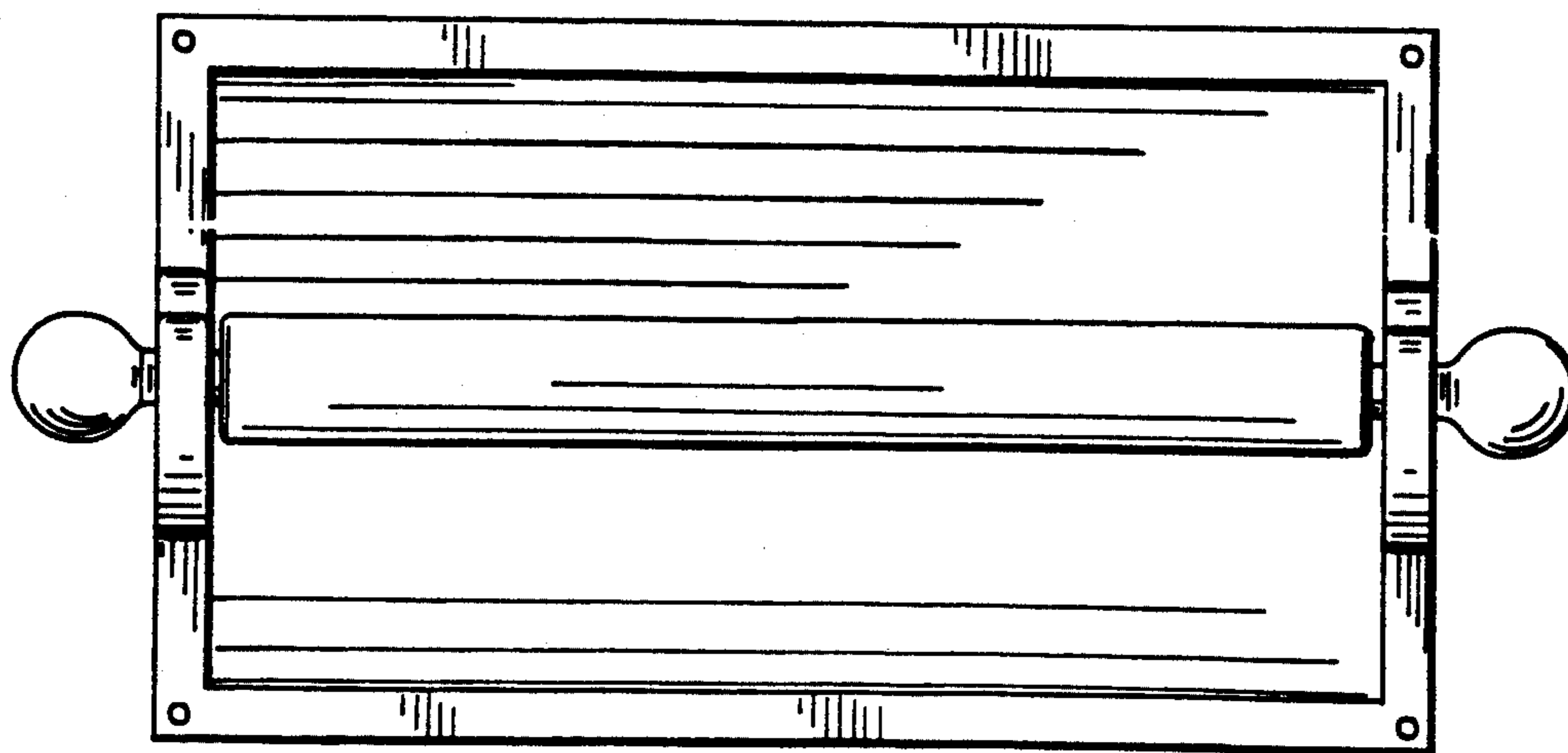


FIG. 4

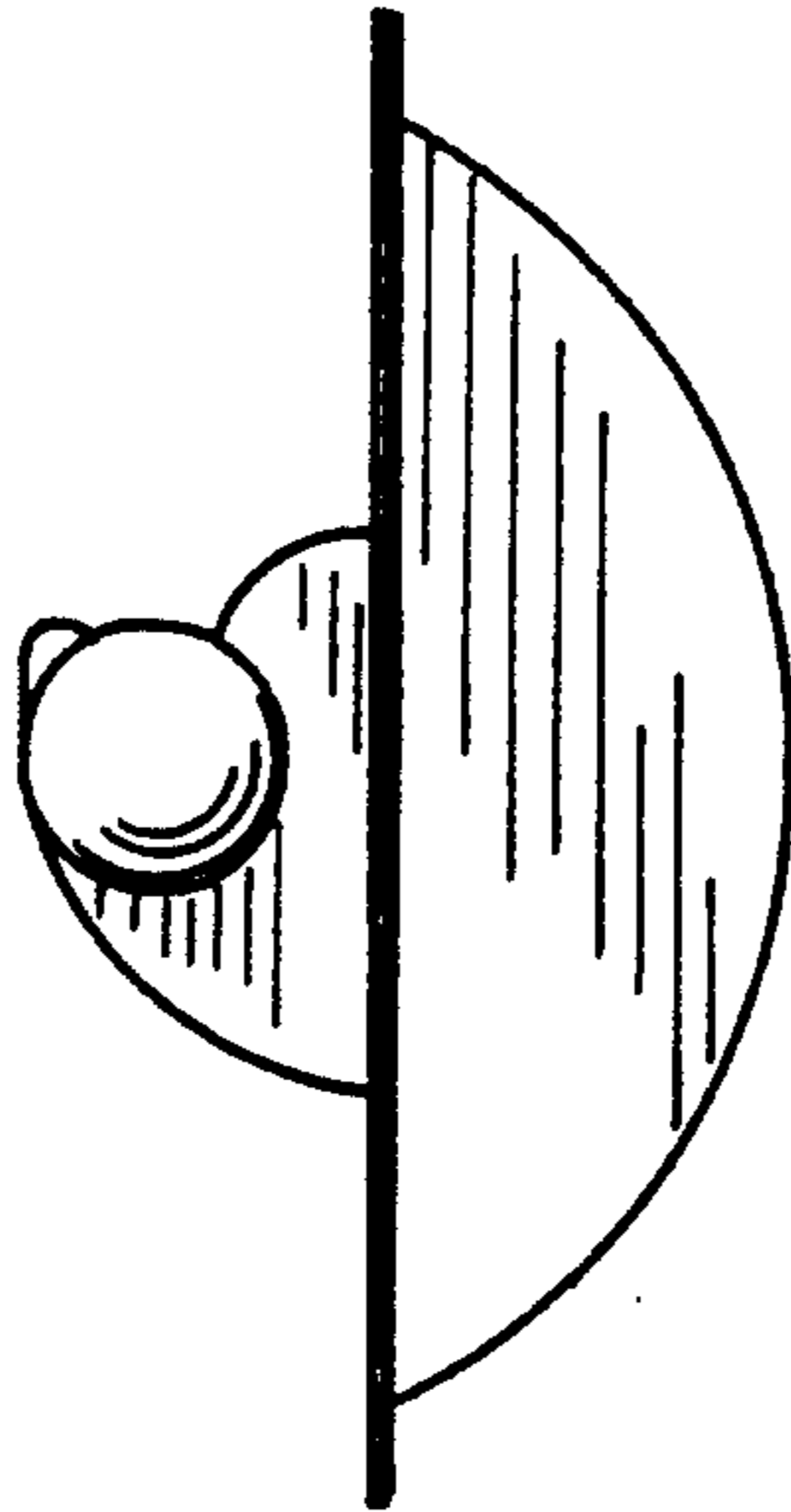


FIG. 3

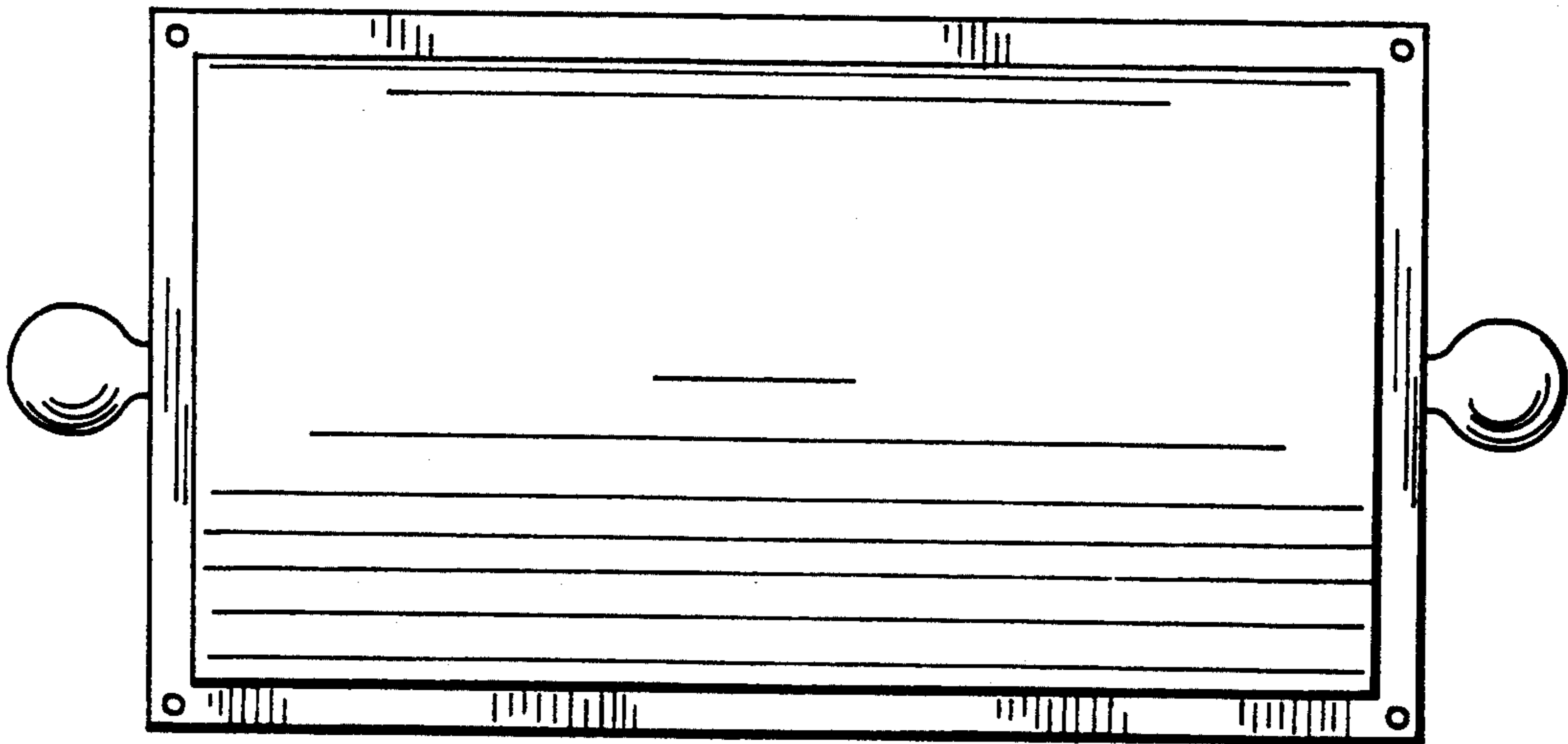


FIG. 5

