



US00D336576S

United States Patent [19] Land

[11] Patent Number: **Des. 336,576**

[45] Date of Patent: **** Jun. 22, 1993**

[54] **INFANT CRIB ROCKING DEVICE**

[76] Inventor: **William J. Land**, 2833 Wayne Ave., Camden, N.J. 08105

[**] Term: **14 Years**

[21] Appl. No.: **521,654**

[22] Filed: **May 10, 1990**

[52] U.S. Cl. **D6/503; D6/491**

[58] Field of Search **D6/382, 385, 390-395, D6/503; D15/199; 5/108, 109**

3,040,342 6/1962 Broers .
3,048,419 8/1962 Fredman 5/109 X
3,724,006 4/1973 Malabanan .
4,152,795 5/1979 Rodosta et al. 5/109

Primary Examiner—Nelson C. Holtje
Assistant Examiner—J. E. Seeger
Attorney, Agent, or Firm—Terry M. Gernstein

[57] **CLAIM**

The ornamental design for an infant crib rocking device, as shown and described.

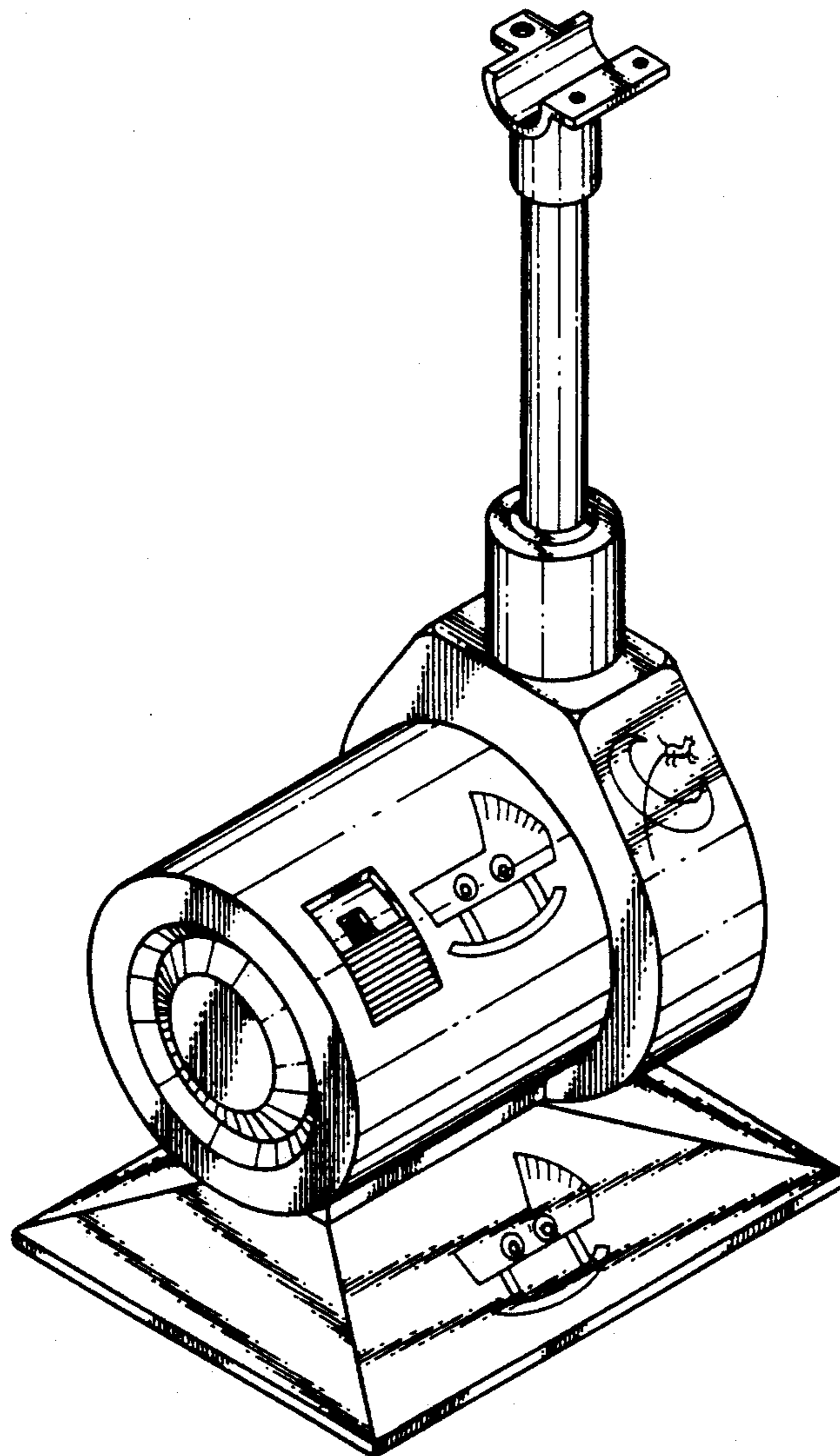
DESCRIPTION

FIG. 1 is a perspective view of the infant crib rocking device embodying the design of the present invention; FIG. 2 is a side elevational view thereof; FIG. 3 is a side elevational view thereof; FIG. 4 is an end elevational view thereof; FIG. 5 is an end elevational view thereof; FIG. 6 is a top plan view thereof; and, FIG. 7 is a bottom view thereof.

[56] **References Cited**

U.S. PATENT DOCUMENTS

2,350,563 6/1944 Logan 5/109 X
2,566,983 9/1951 Coltrane 5/109
2,633,580 4/1953 Dooley 5/109
2,645,790 7/1953 Hayes 5/109
2,805,427 9/1957 Edgmon .
3,022,520 2/1962 Finger .



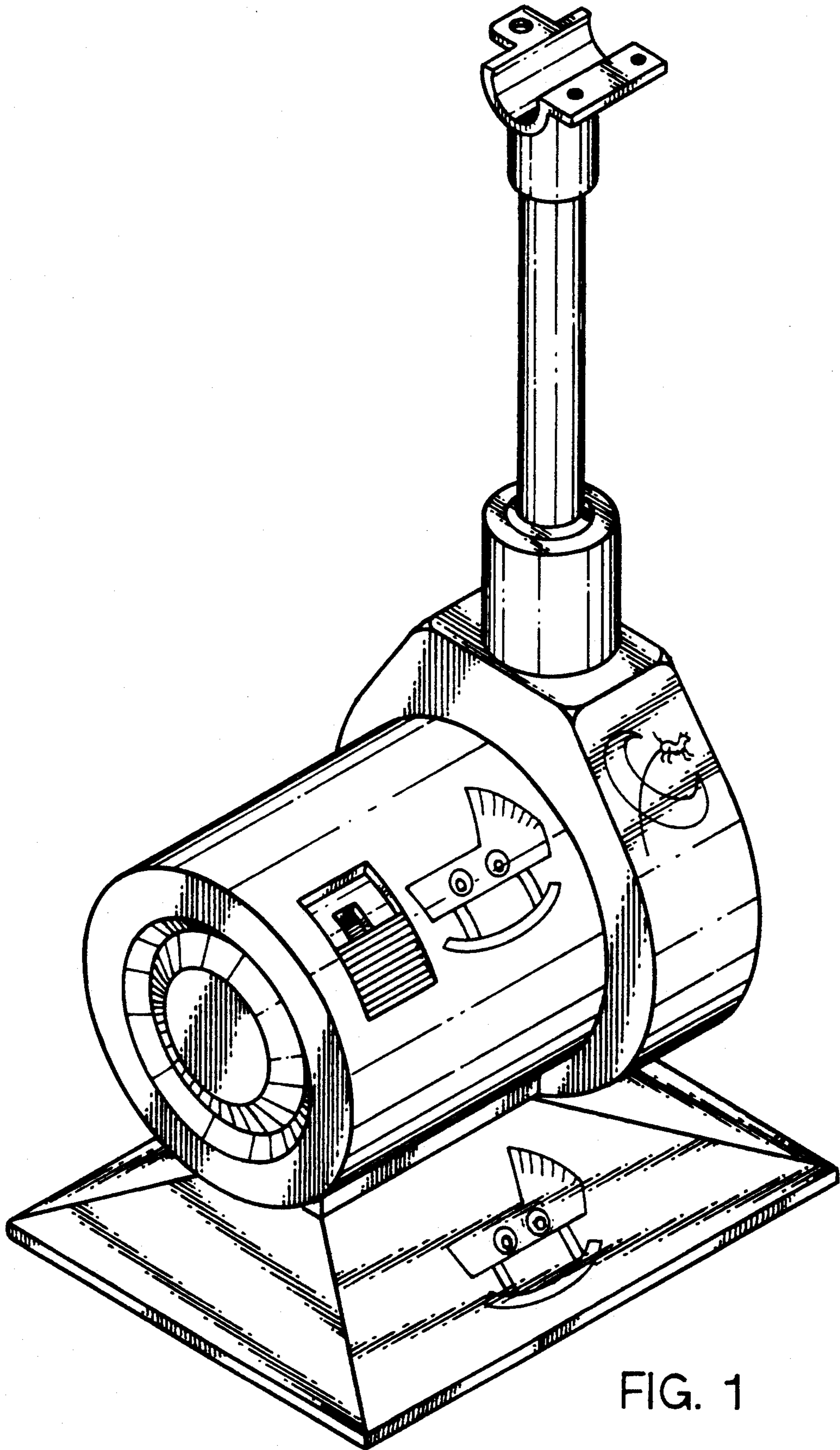


FIG. 1

FIG. 3

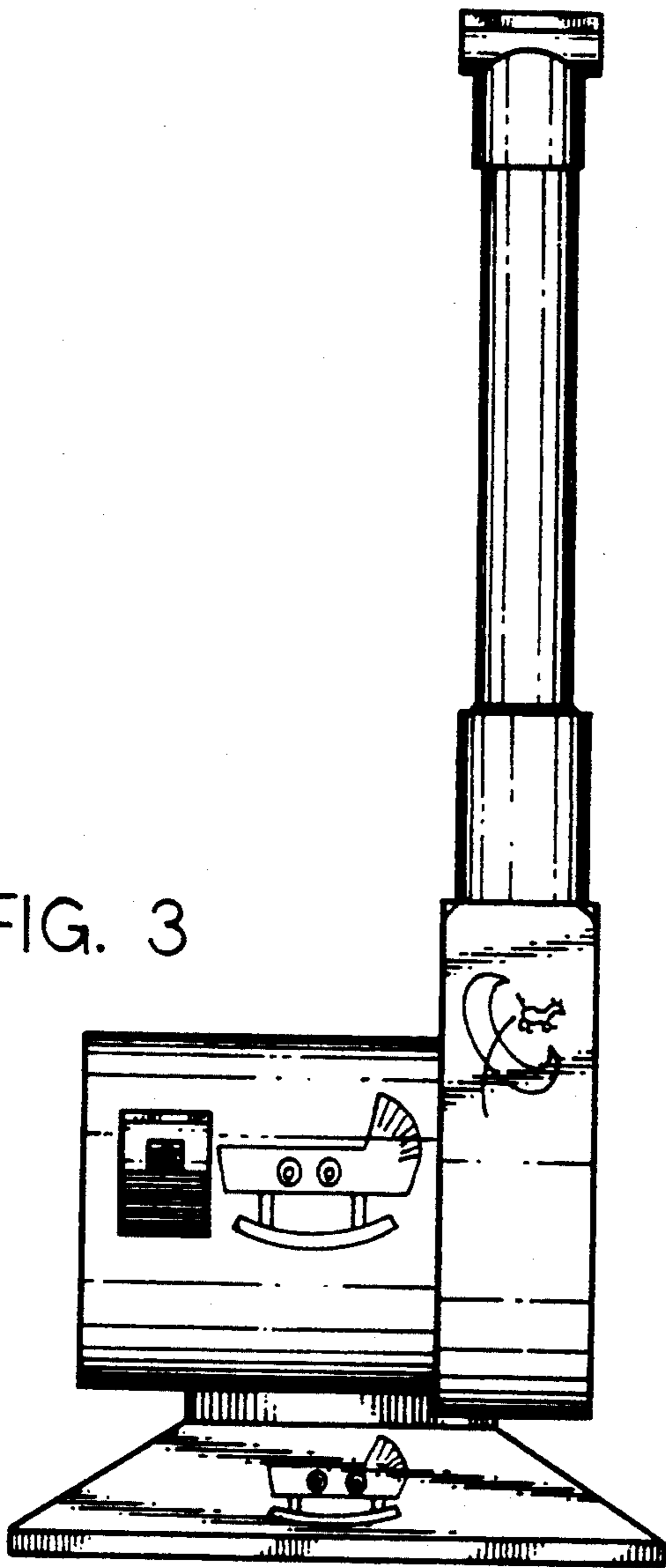
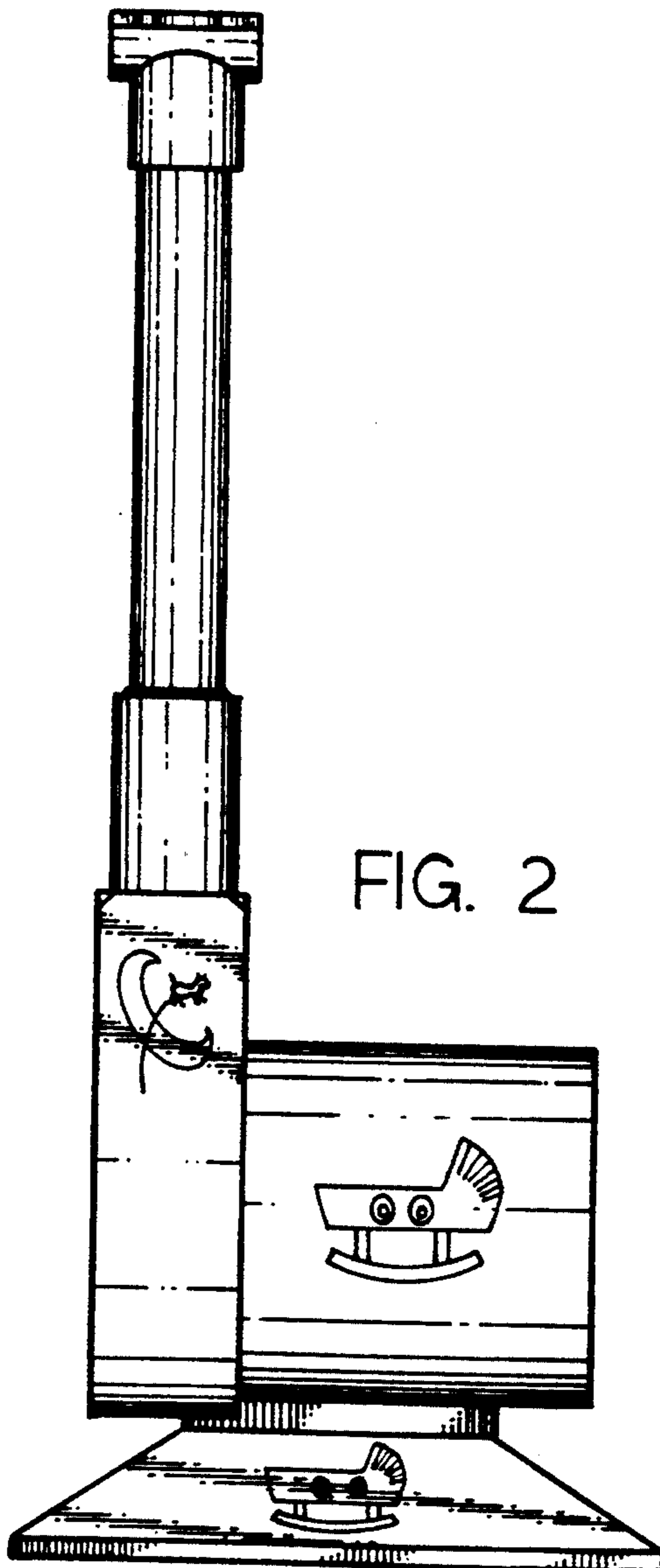


FIG. 2



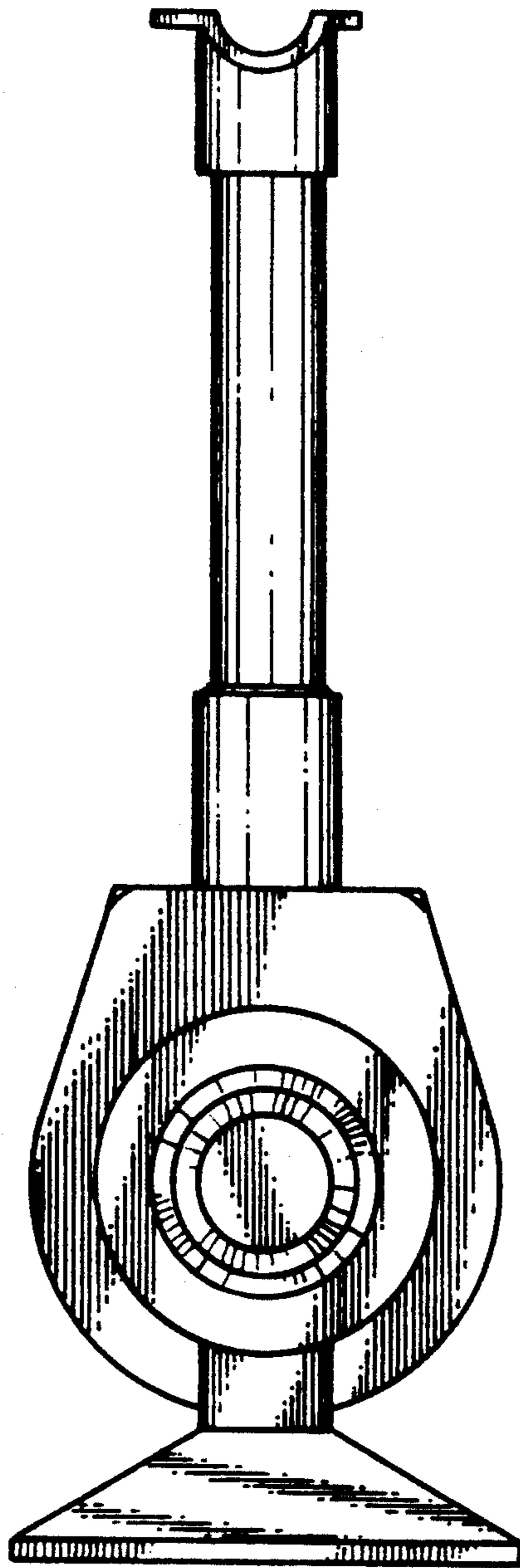


FIG. 4

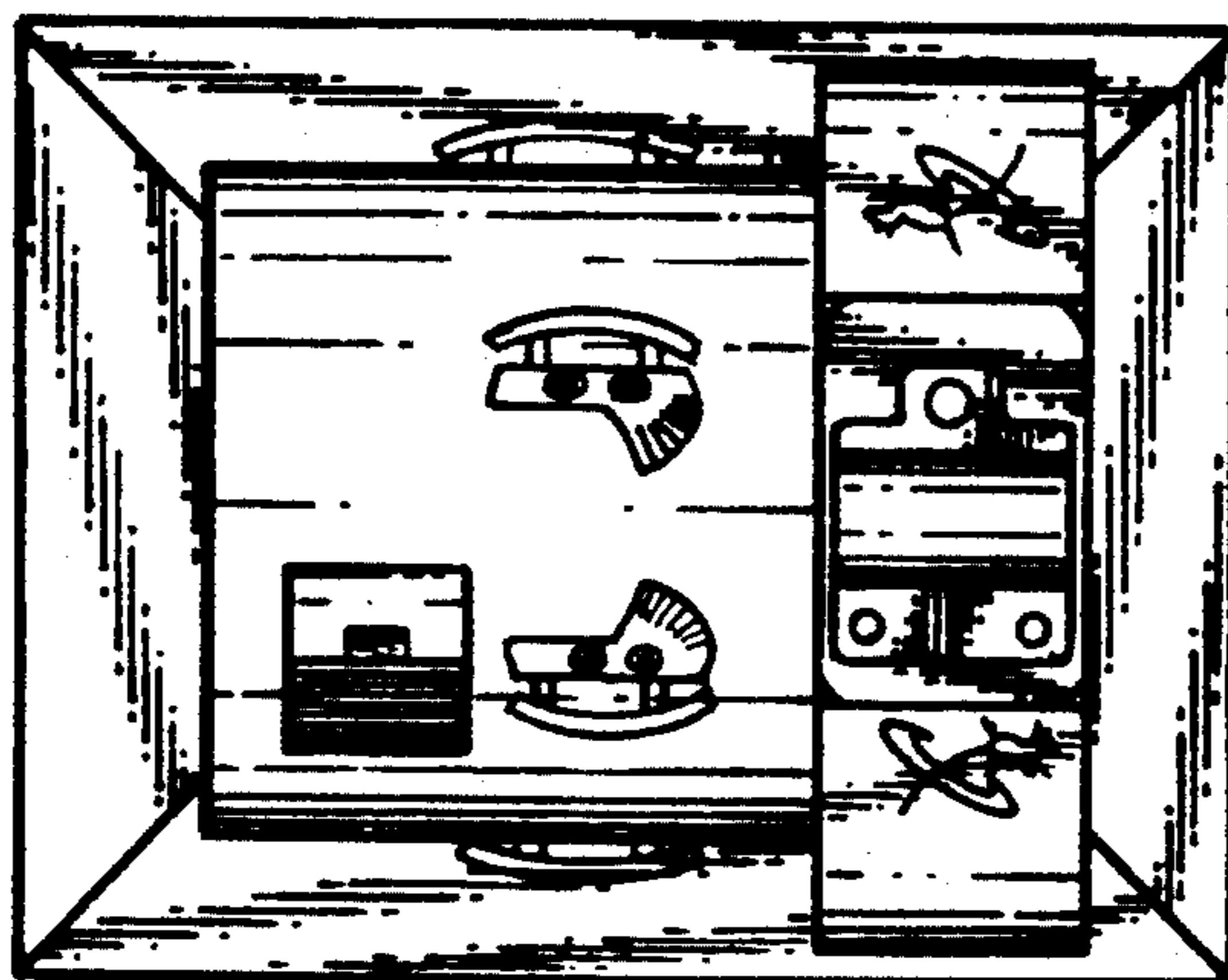


FIG. 6

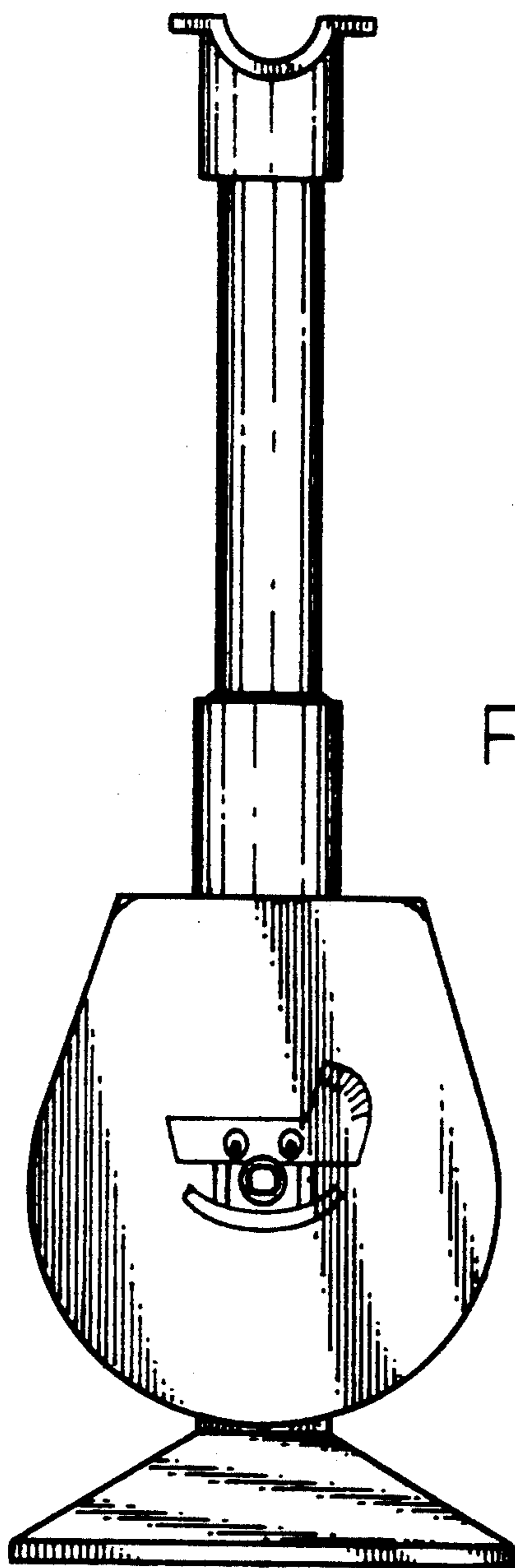


FIG. 5

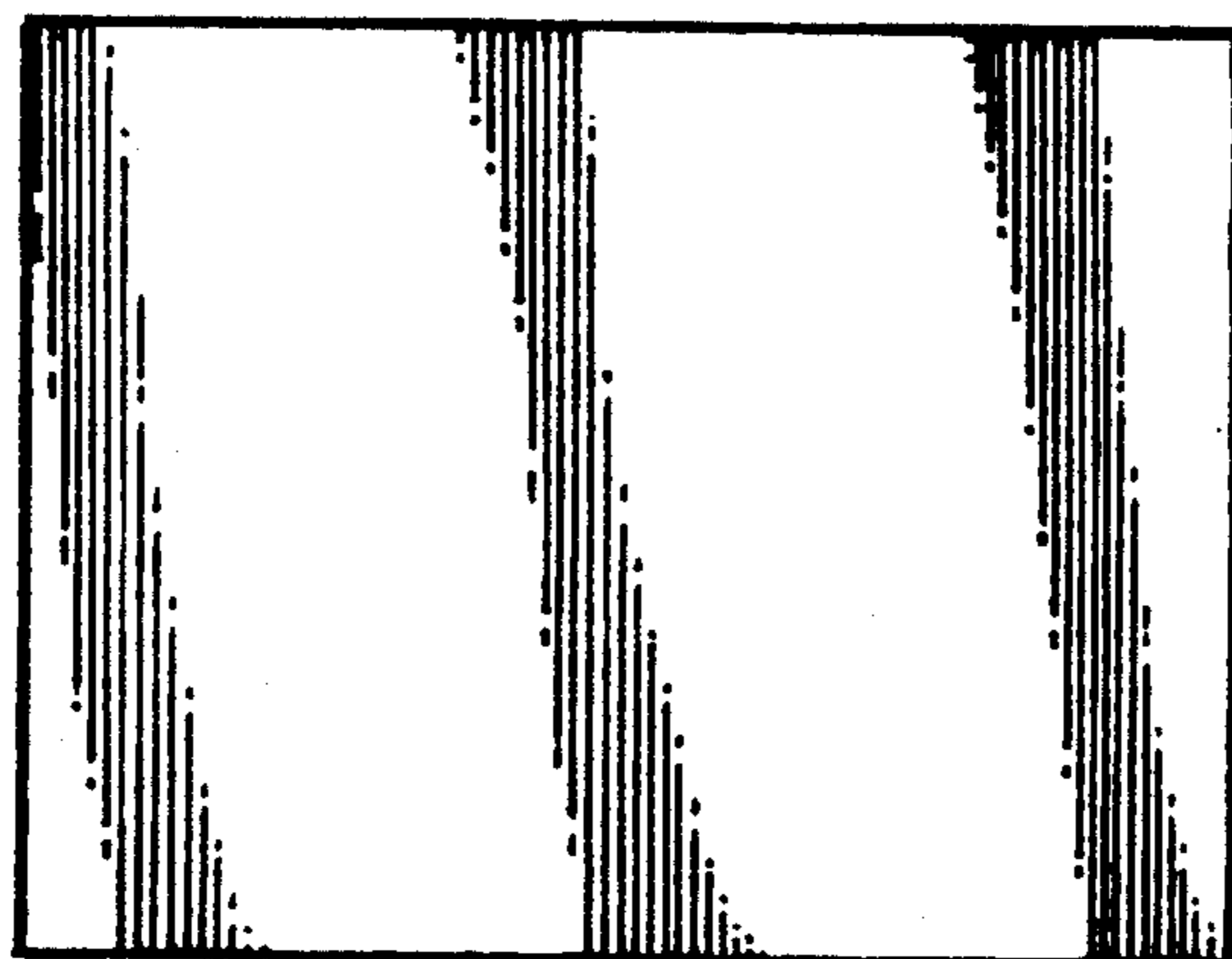


FIG. 7