



US00D336574S

# United States Patent [19]

[11] Patent Number: **Des. 336,574**

Rhodes

[45] Date of Patent: **\*\* Jun. 22, 1993**

[54] **DOUBLE POST EARRING CAROUSEL**

[76] Inventor: **Flora B. Rhodes**, 3929 Maple St.,  
Ventura, Calif. 93003

[\*\*] Term: **14 Years**

[21] Appl. No.: **909,817**

[22] Filed: **Jul. 8, 1992**

3,204,779	9/1965	Warner .
3,997,050	12/1976	Patterson .
4,058,356	11/1977	Michal .
4,093,077	6/1978	Strasser .
4,101,037	7/1978	Allesch .
4,141,453	2/1979	Hanan .
4,322,007	3/1982	Feibelman .
4,420,084	12/1983	Whelan .
4,424,904	1/1984	Applegate, Jr. .... 211/40
4,463,856	8/1984	Strasser .
4,838,625	6/1989	Taylor .
4,850,658	7/1989	Sandor .

### Related U.S. Application Data

[63] Continuation-in-part of Ser. No. 605,182, Oct. 29, 1990,  
Pat. No. D. 329,341.

[52] U.S. Cl. .... **D6/469; D6/464**

[58] Field of Search ..... **D6/369, 449, 411-415,  
D6/455, 457-461, 462-465, 467, 469; 211/40,  
13, 163; 206/495, 566; D3/75**

[56] **References Cited**

#### U.S. PATENT DOCUMENTS

D. 95,797	6/1935	Berger .....	D6/458 X
D. 122,170	8/1940	McCann .....	D6/458 X
D. 152,529	2/1949	Halpern .....	D6/415
D. 166,425	4/1952	Stolz .....	D6/415
D. 220,046	3/1971	Pascarella et al. ....	D6/458
D. 220,298	3/1971	Naglowsky .....	D6/455 X
D. 241,192	8/1976	Salcer .....	D6/415
D. 290,196	6/1987	Miller .....	D6/415
2,565,700	8/1951	Schiller .	

### OTHER PUBLICATIONS

Counter display fixtures catalog, item R10/3012.

*Primary Examiner*—Alan P. Douglas

*Assistant Examiner*—Jeffrey Asch

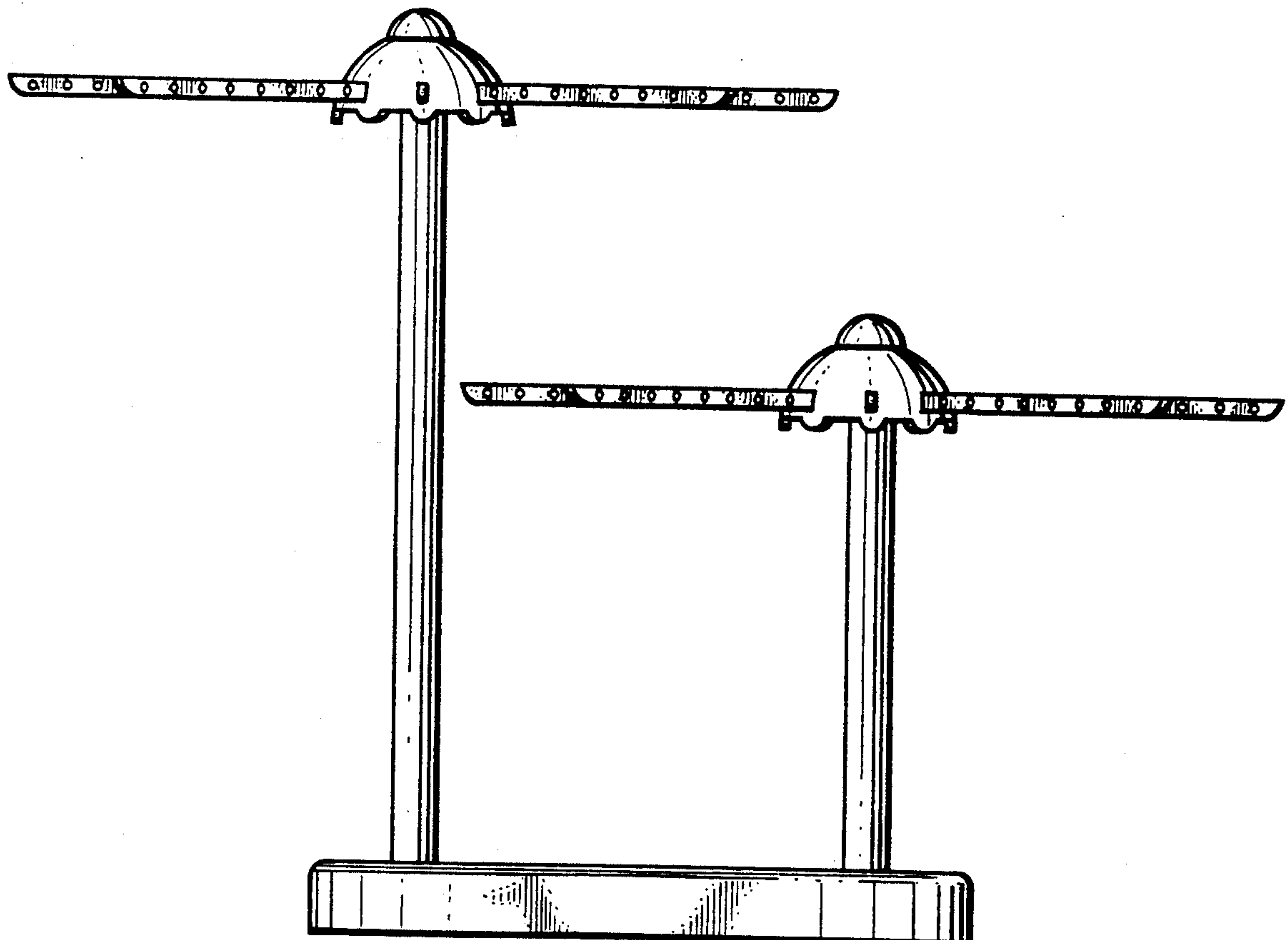
*Attorney, Agent, or Firm*—Kenneth J. Hovet

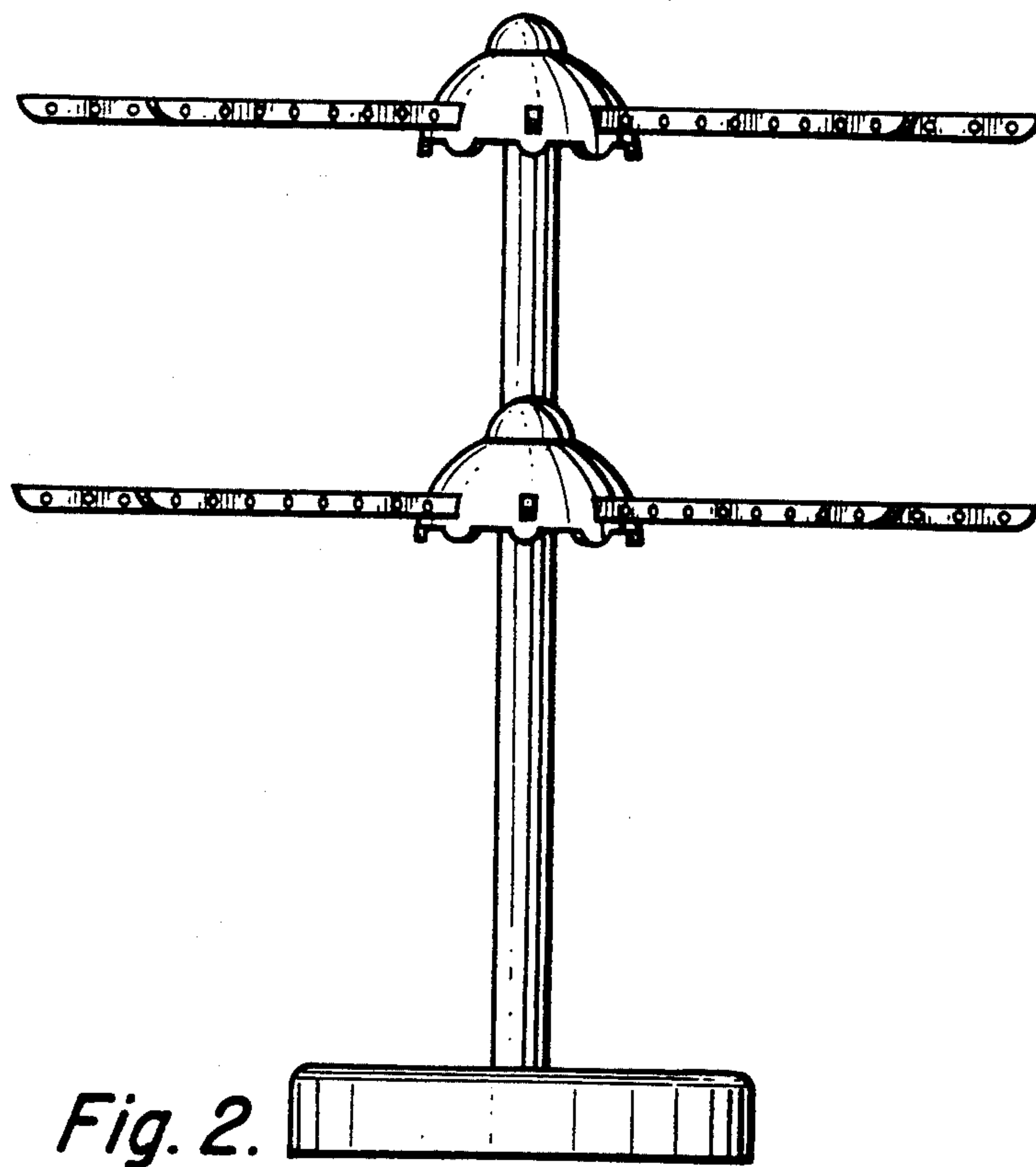
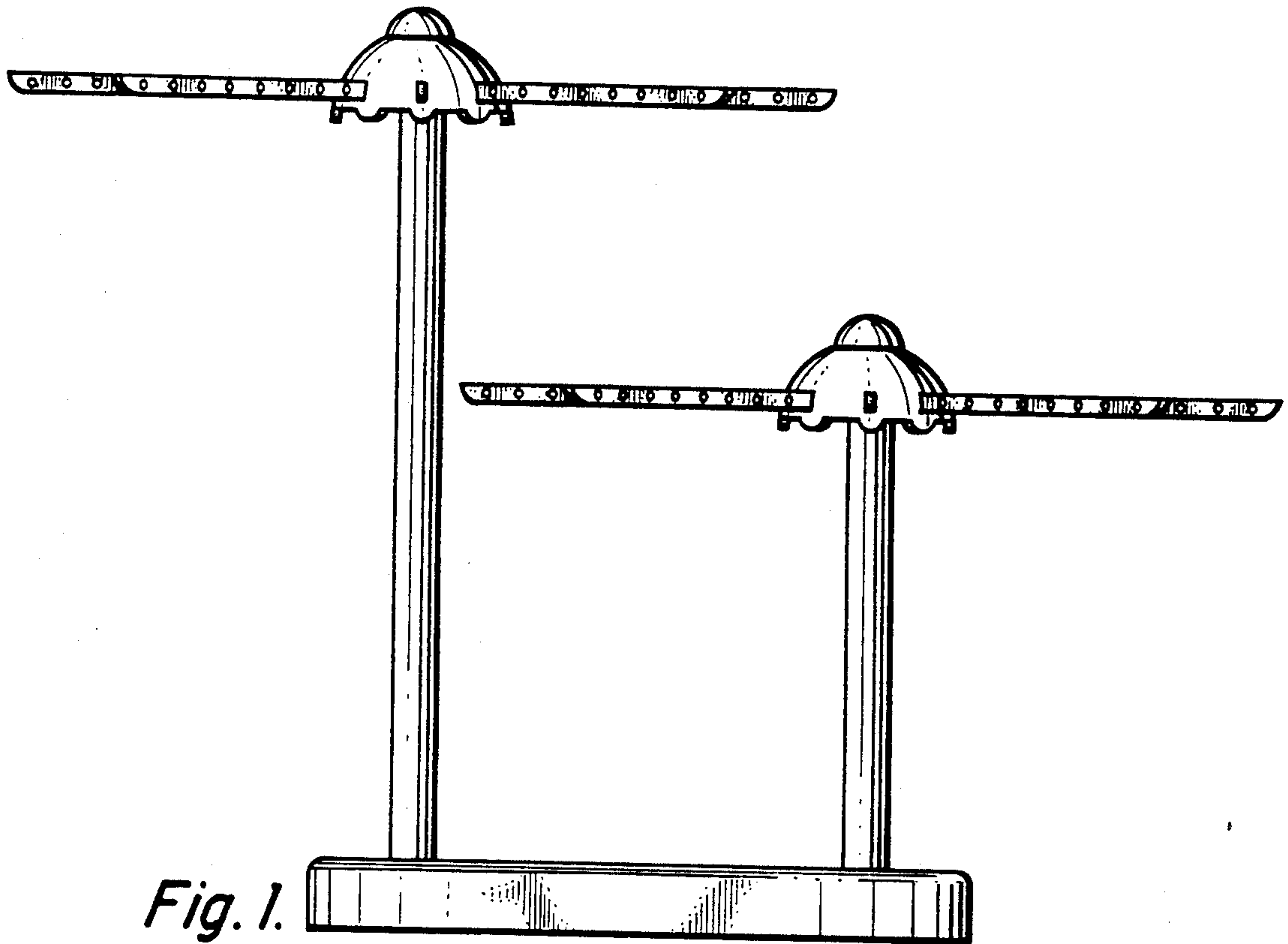
[57] **CLAIM**

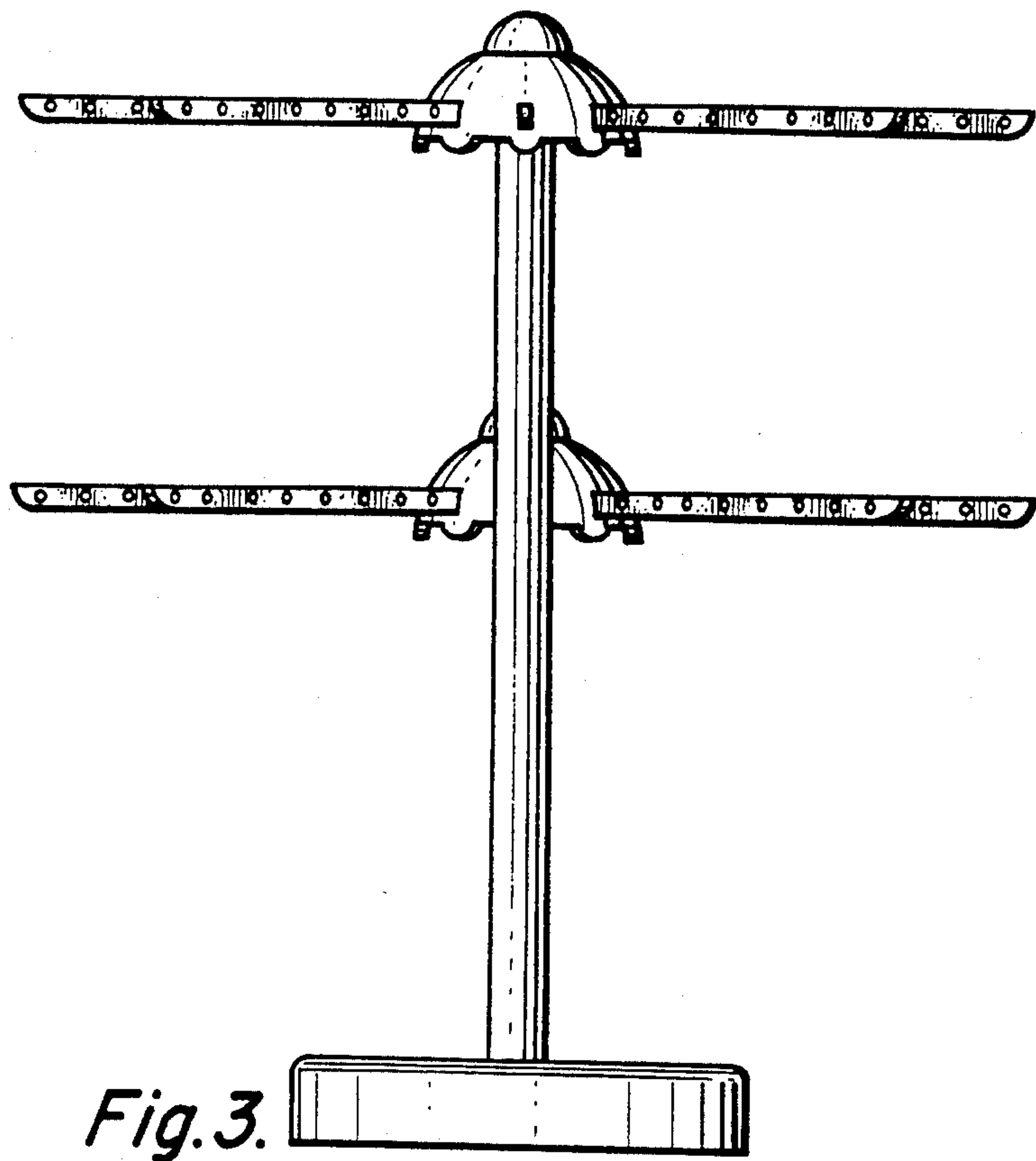
The ornamental design for a double post earring carousel, as shown and described.

### DESCRIPTION

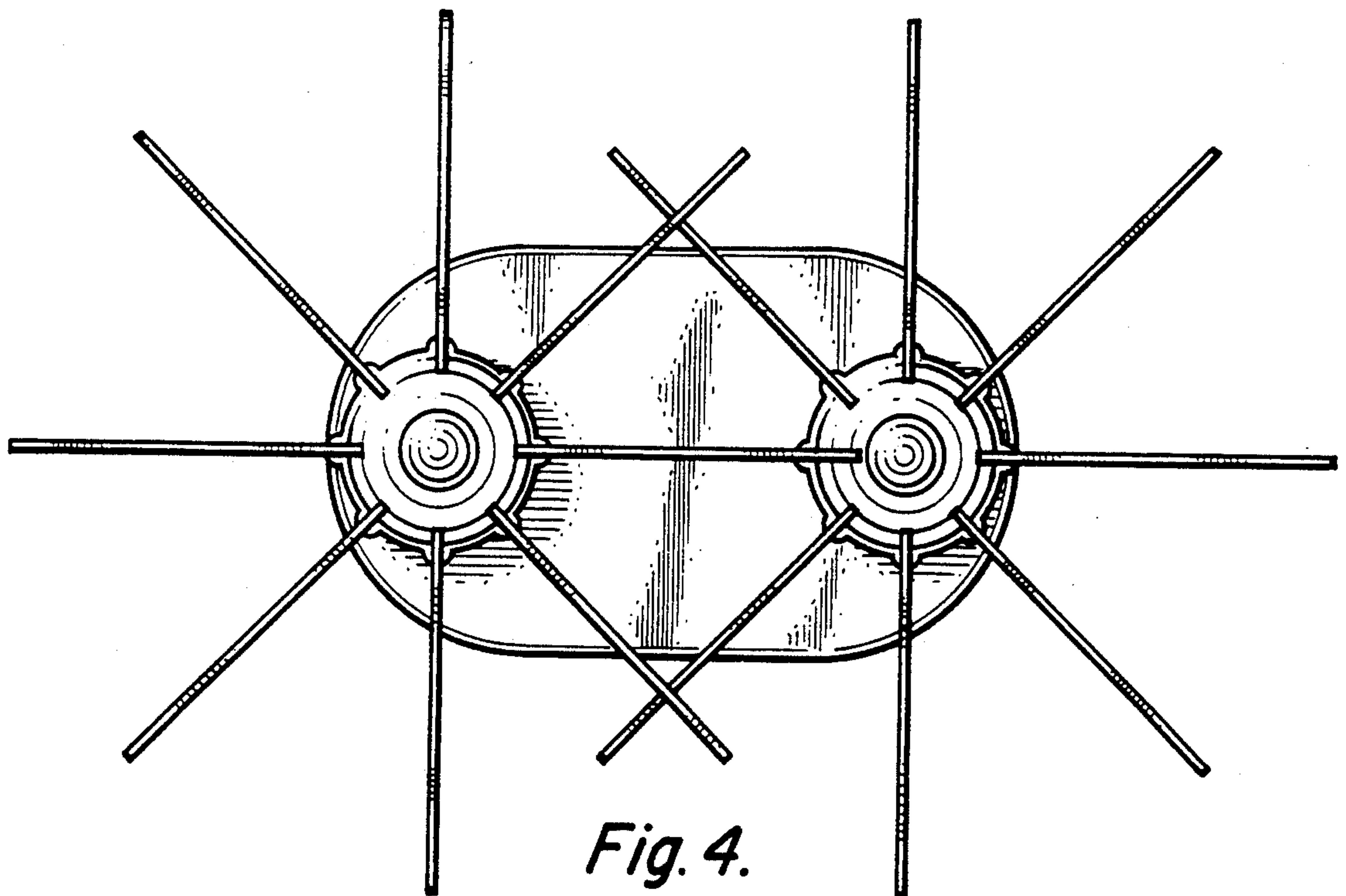
FIG. 1 is a side elevational view of a double post earring carousel showing my new design;  
FIG. 2 is a front end elevational view thereof;  
FIG. 3 is a rear end elevational view thereof;  
FIG. 4 is a top plan view thereof; and,  
FIG. 5 is a bottom plan view thereof.



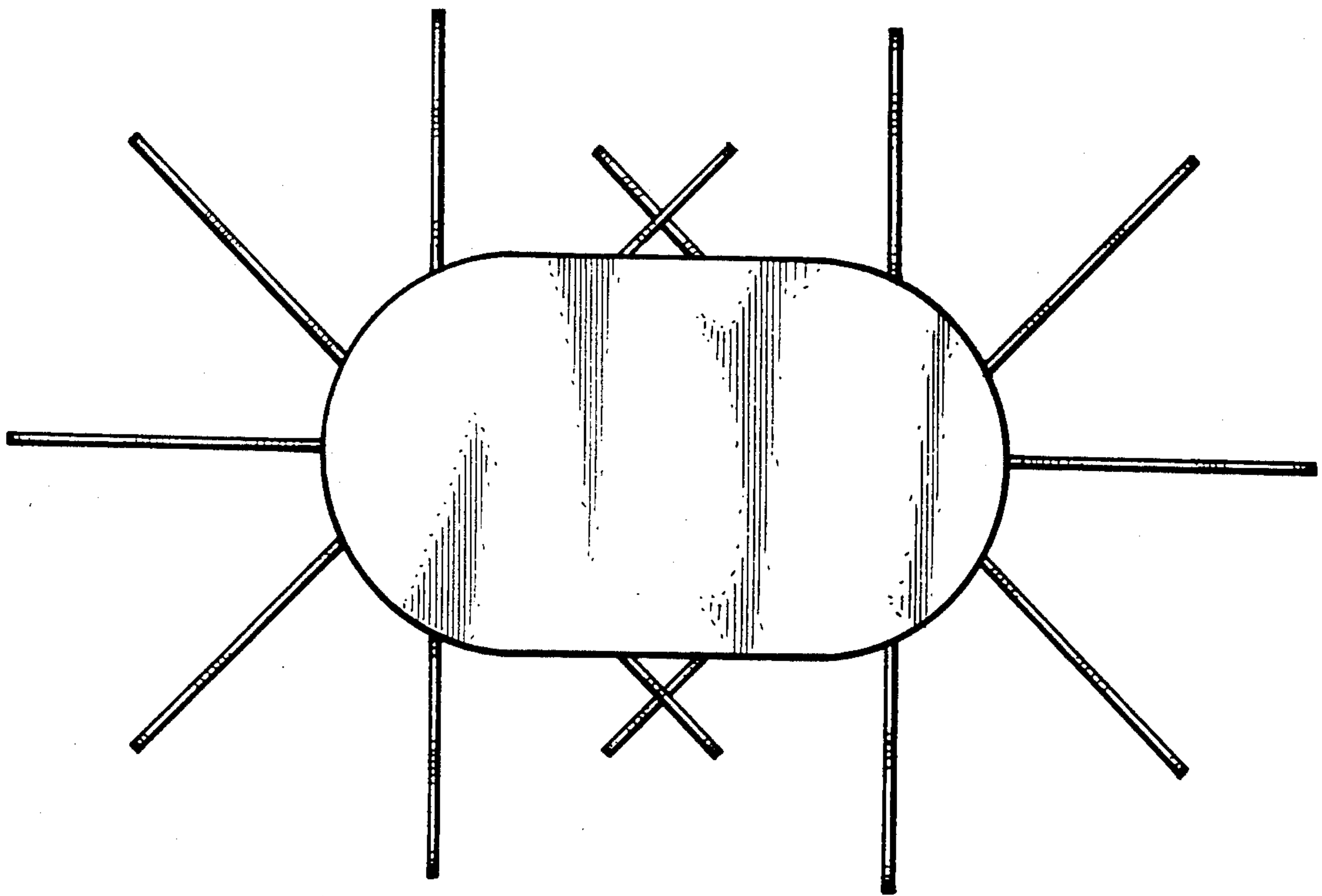




*Fig. 3.*



*Fig. 4.*



*Fig. 5.*