



US00D336572S

United States Patent [19]

[11] Patent Number: **Des. 336,572**

Gunderson et al.

[45] Date of Patent: **** Jun. 22, 1993**

[54] **HEADBOARD FOR BEDS**

[75] Inventors: **Robert G. Gunderson**, Omaha, Nebr.;
Wayne K. Field, Clearfield, Utah

[73] Assignee: **University of Furniture, Inc.**,
Clearfield, Utah

[**] Term: **14 Years**

[21] Appl. No.: **764,469**

[22] Filed: **Sep. 24, 1991**

[52] U.S. Cl. **D6/399; D6/436;**
D6/441; D6/444; D6/505

[58] Field of Search **D6/382-395,**
D6/503, 505-508, 397, 442, 479; 5/2.1, 53.1

[56] **References Cited**

U.S. PATENT DOCUMENTS

D. 35,978	7/1902	Clark	D6/442
D. 176,276	12/1955	McMurtrie	D5/4
D. 178,939	10/1956	Van Koert	D5/4
D. 205,927	10/1966	Tomaszkewicz	D5/4
D. 264,655	6/1982	Keller	D6/399
D. 282,227	1/1986	Scully	D6/505
D. 295,702	5/1988	Huffstetler	D6/436
D. 297,792	9/1988	Balutto	D6/384
D. 312,641	12/1990	Morales	D6/505

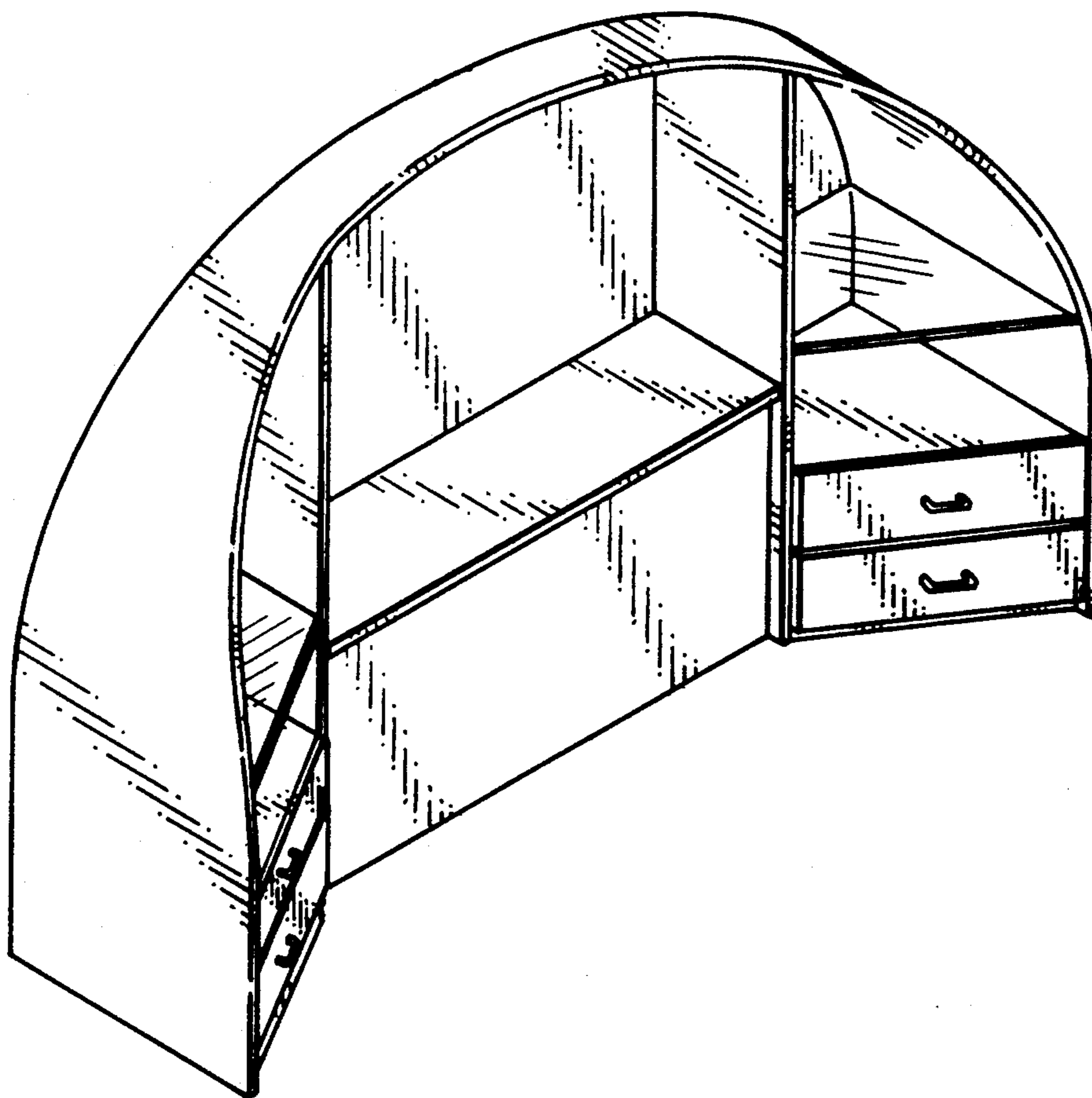
Primary Examiner—Alan P. Douglas
Assistant Examiner—J. E. Seeger
Attorney, Agent, or Firm—Michael D. McCully

[57] **CLAIM**

The ornamental design for the headboard for beds, as shown and described.

DESCRIPTION

FIG. 1 is a front perspective view of the headboard for beds of our design;
FIG. 2 is a front elevational view thereof;
FIG. 3 is a rear elevational view thereof;
FIG. 4 is a left side elevational view thereof, the right side elevational view thereof being a mirror image of FIG. 4 and hence not shown;
FIG. 5 is a top view thereof;
FIG. 6 is a bottom view thereof;
FIG. 7 is a partial sectional view taken along line 7—7 in FIG. 2;
FIG. 8 is a front perspective view of a second embodiment of the headboard for beds of our design;
FIG. 9 is a front elevational view of the second embodiment of our design; and,
FIG. 10 is a top view of the second embodiment of our design.



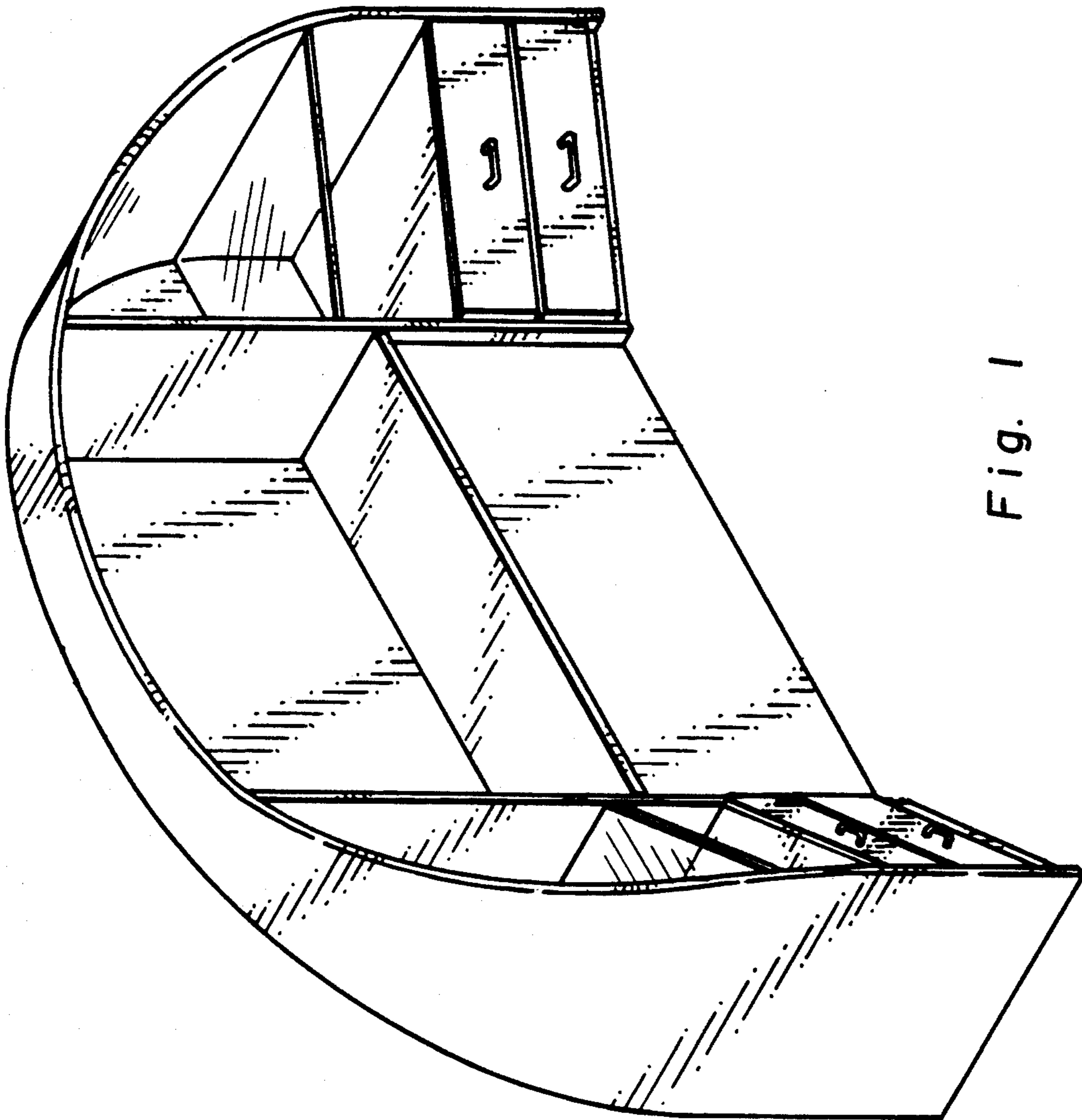


Fig. 1

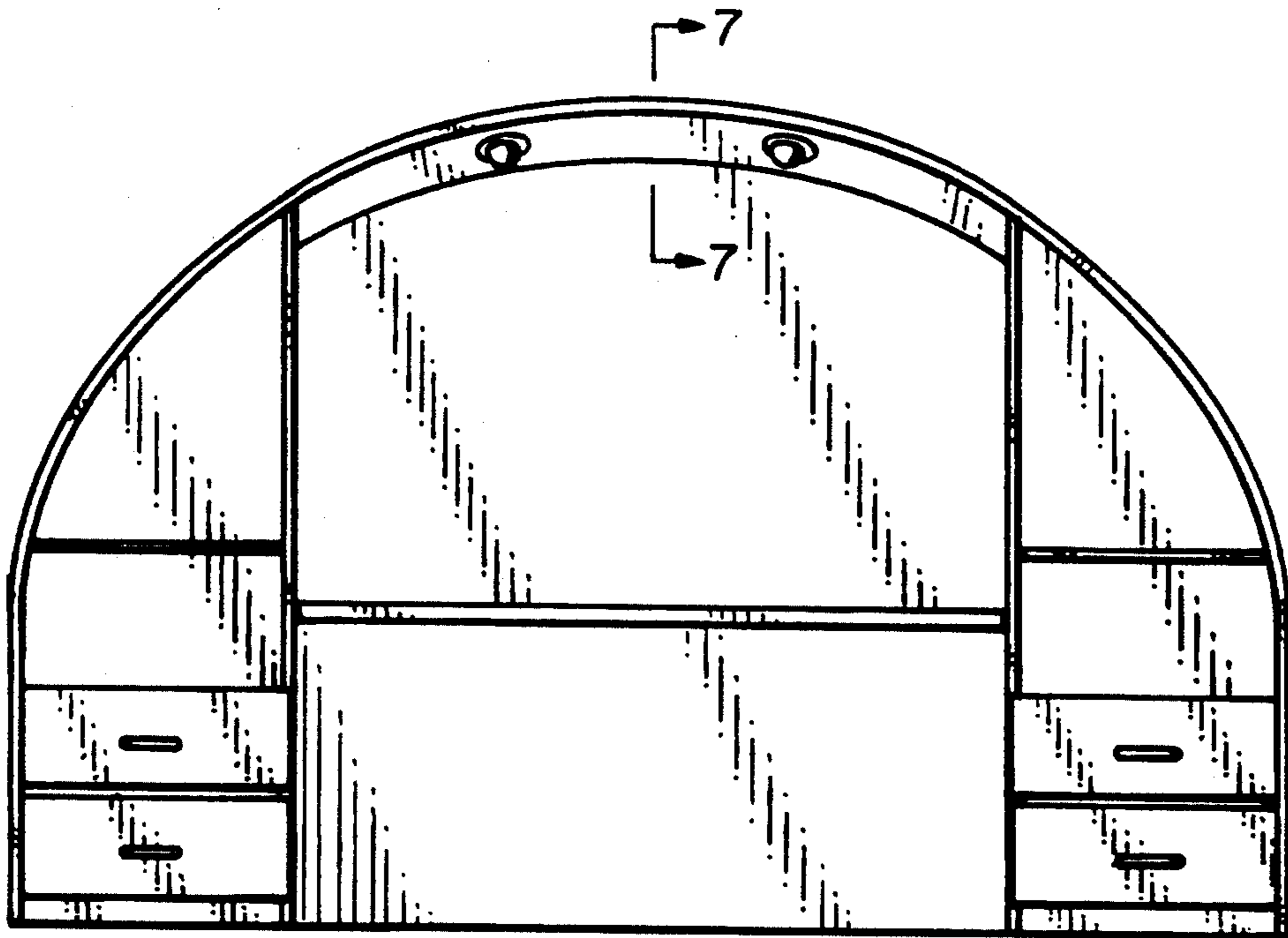


Fig. 2

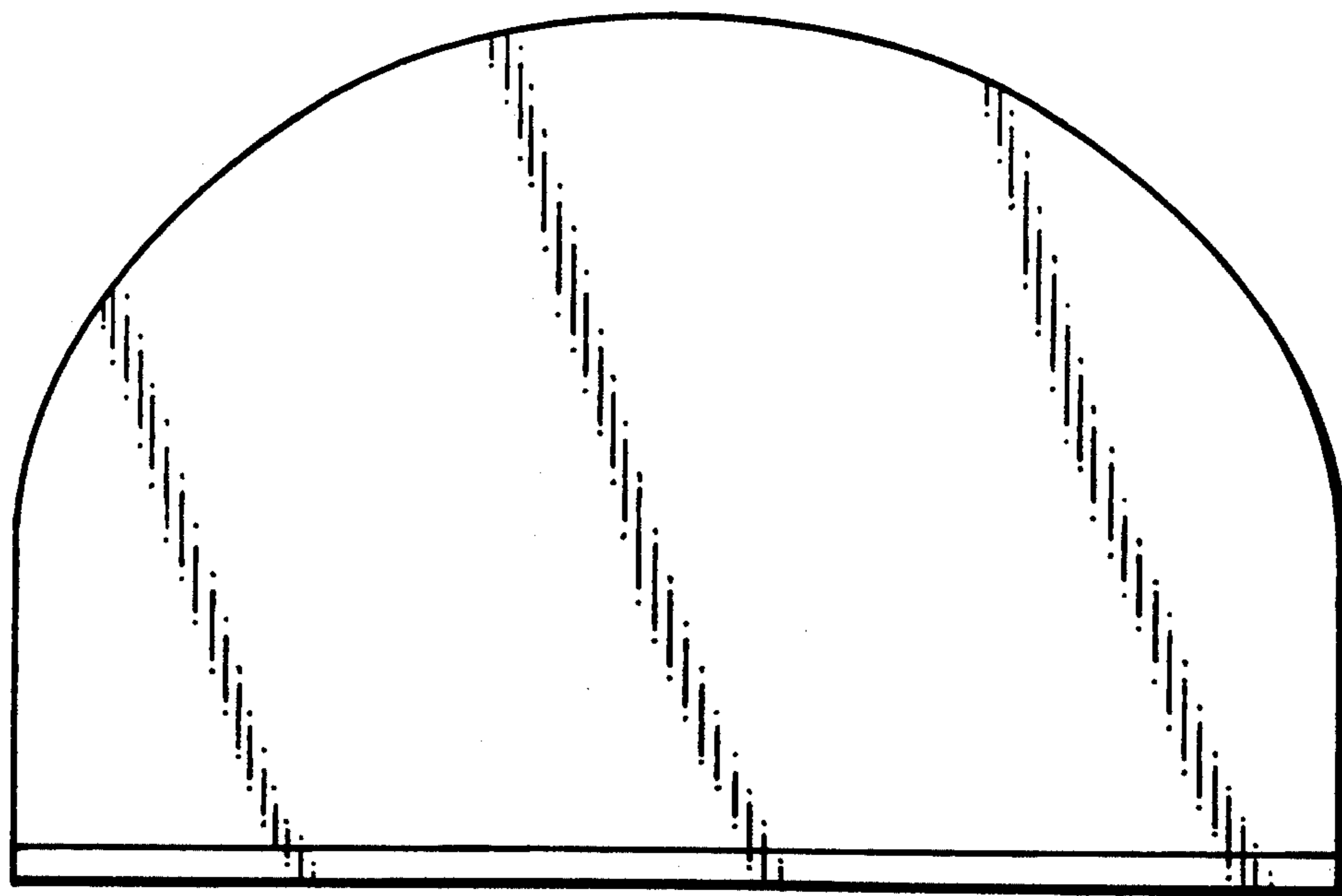


Fig. 3

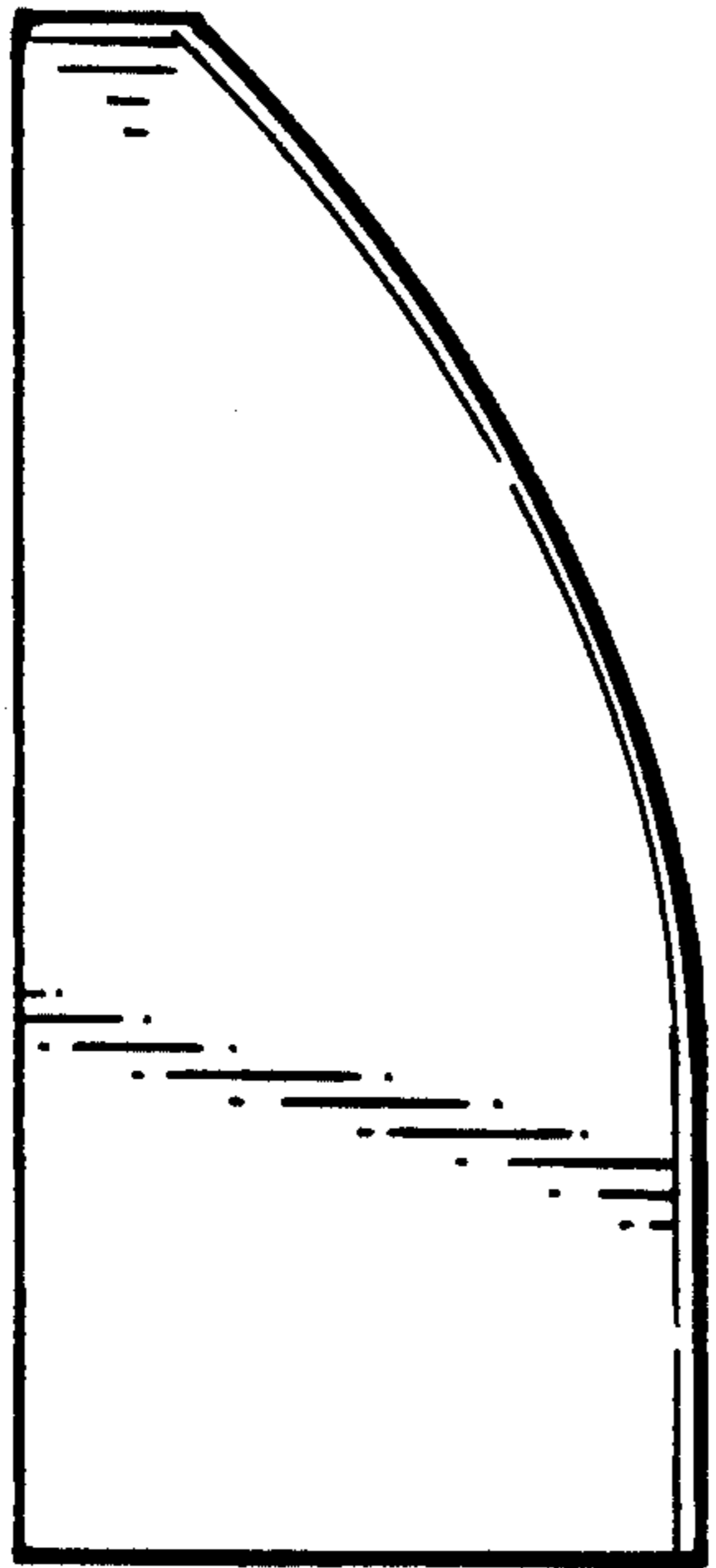


Fig. 4

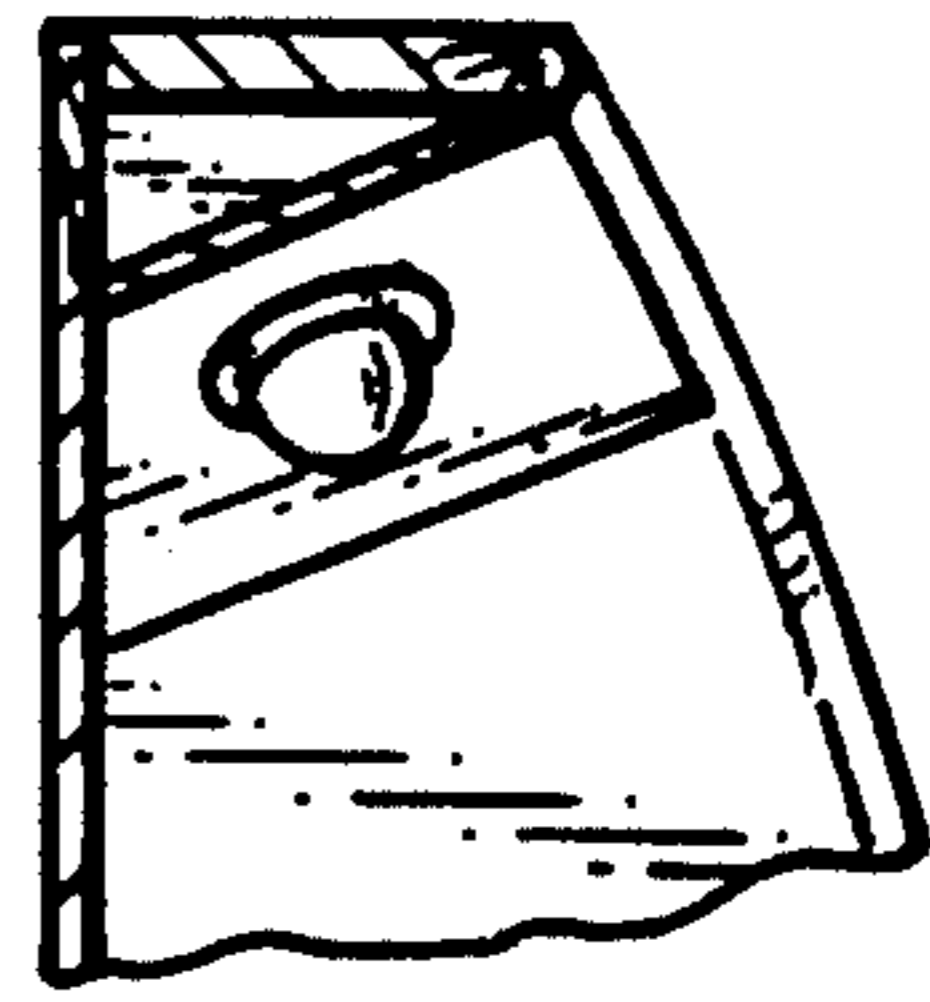


Fig. 7

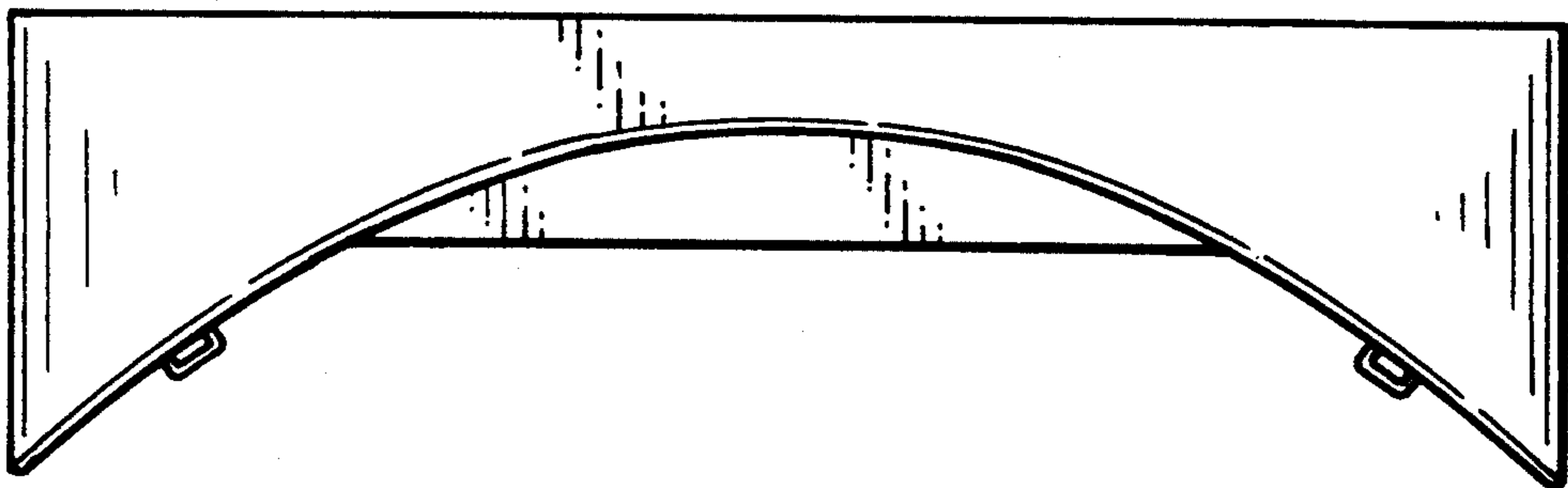


Fig. 5

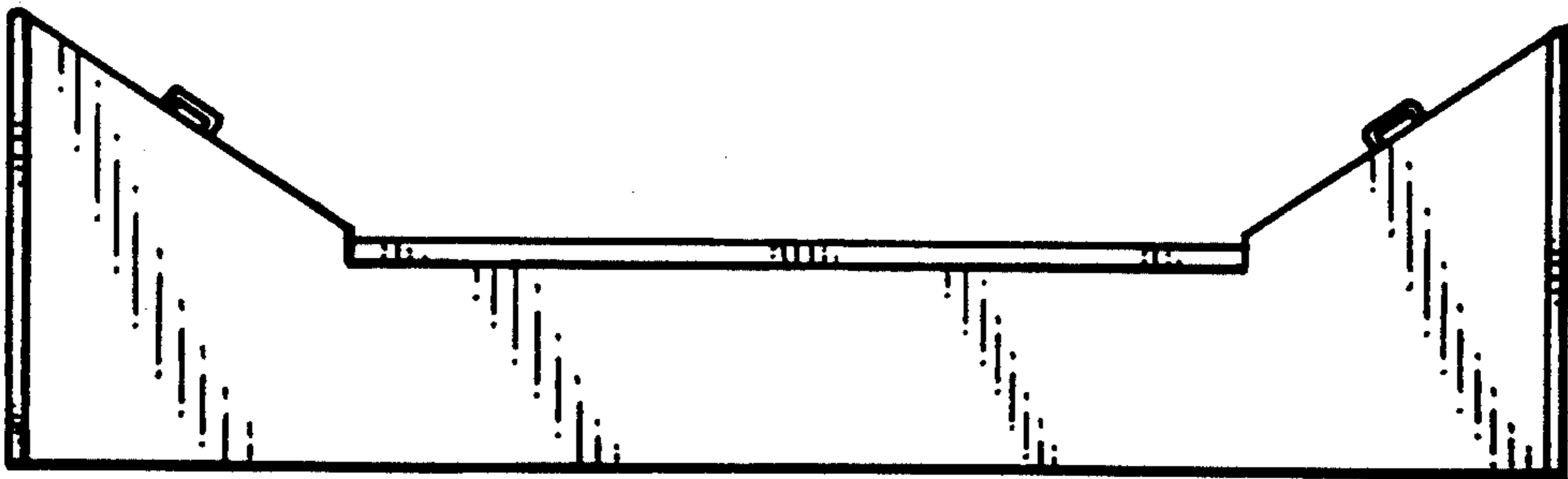


Fig. 6

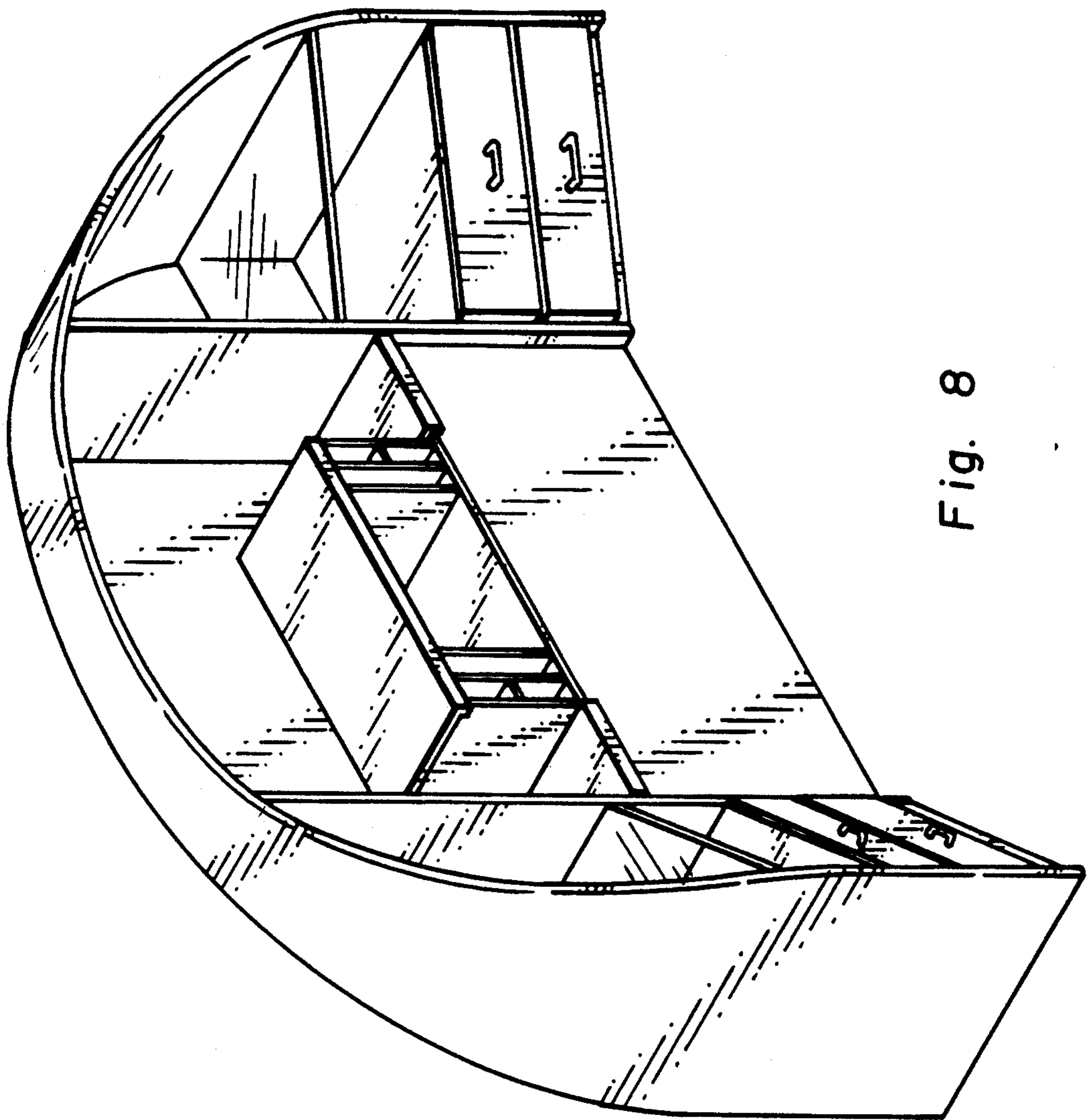


Fig. 8

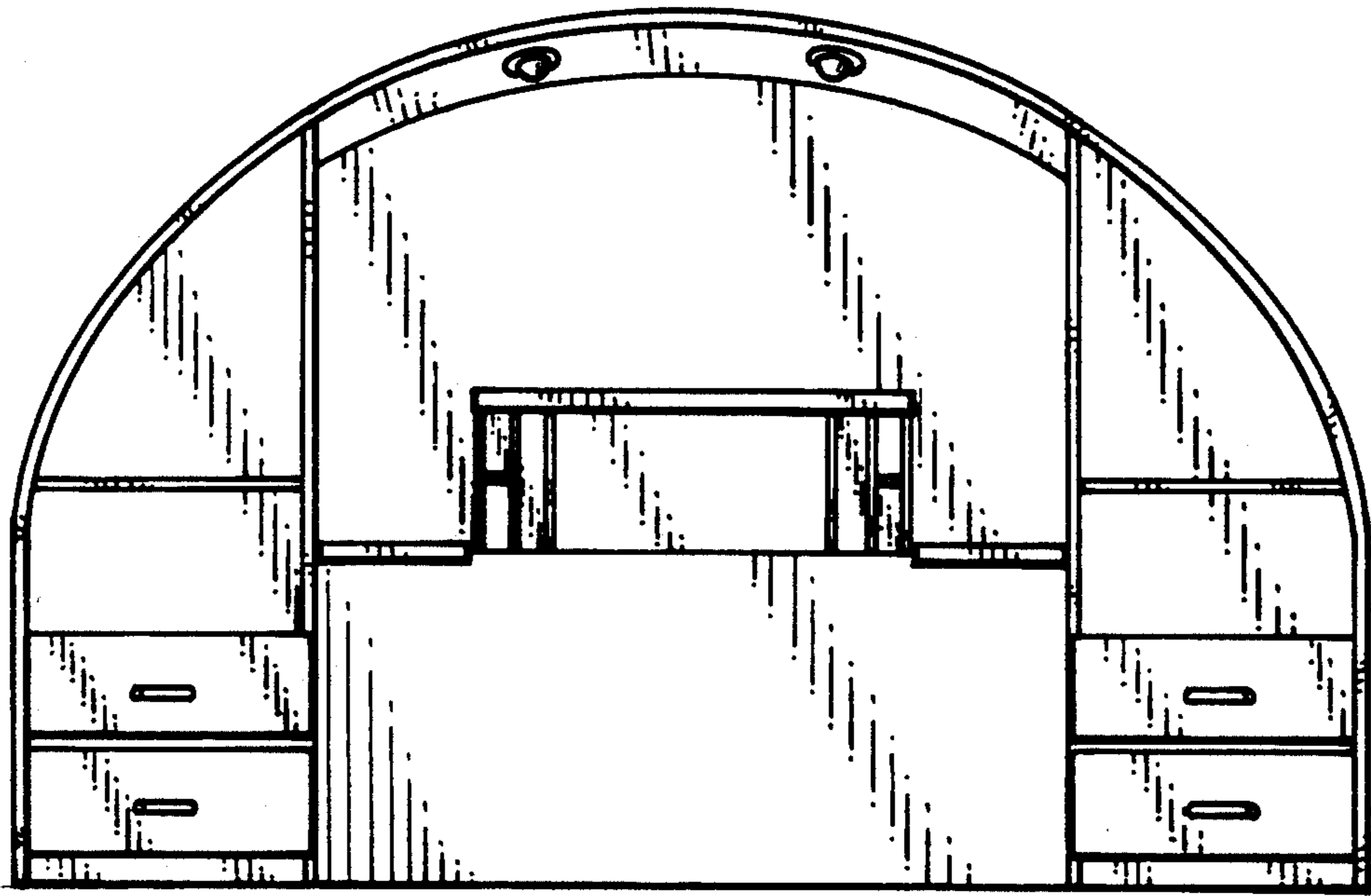


Fig. 9

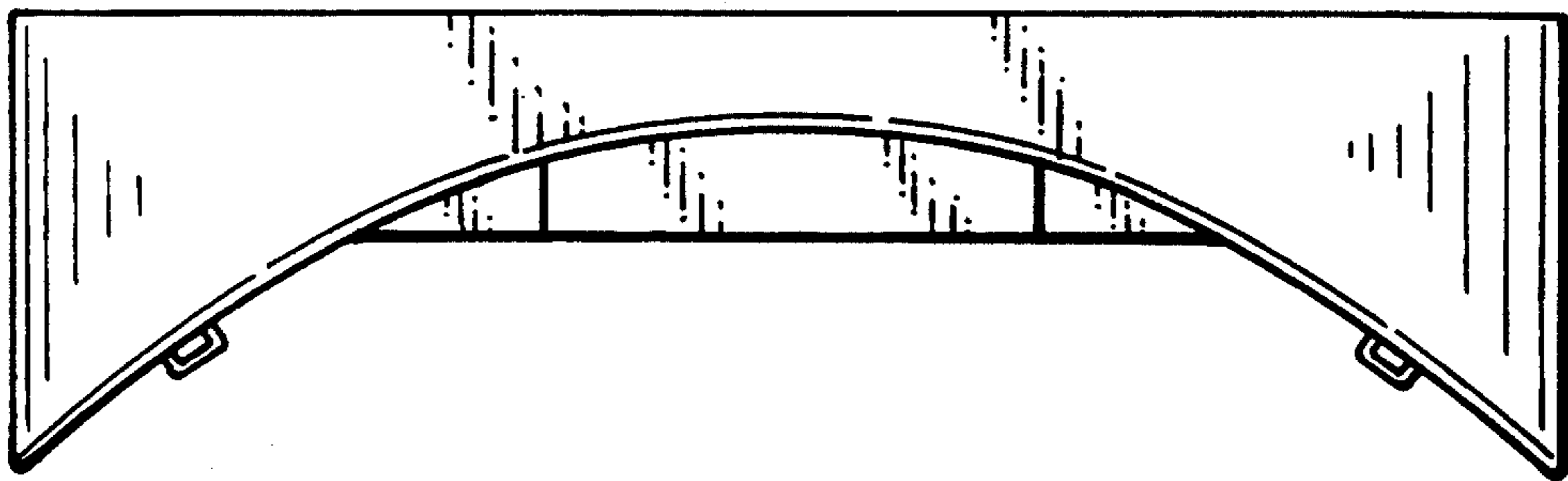


Fig. 10