



US00D336556S

United States Patent [19]

[11] Patent Number: **Des. 336,556**

Payne et al.

[45] Date of Patent: **** Jun. 15, 1993**

[54] **SQUIRREL GUARD**

[75] Inventors: **Howard W. Payne**, 5755 Hendrix Rd., Cumming, Ga. 30130; **Louis T. Isaf**, Cobbs County, Ga.

[73] Assignee: **Howard W. Payne**, Cumming, Ga.

[**] Term: **14 Years**

[21] Appl. No.: **681,162**

[22] Filed: **Apr. 5, 1991**

[52] U.S. Cl. **D30/133**

[58] Field of Search **D6/417; 119/51.5, 52.2, 119/52.3, 57.8, 57.9, 23; 248/156; D30/121-133**

[56] **References Cited**

U.S. PATENT DOCUMENTS

| | | | | |
|------------|--------|-----------------|-------|----------|
| D. 146,901 | 6/1947 | Fiorio | | D30/123 |
| D. 174,139 | 3/1955 | Sadler | | D30/128 |
| D. 200,317 | 2/1965 | Etnyre | | D30/128 |
| D. 204,388 | 4/1966 | Mitchell | | D30/123 |
| 2,591,459 | 4/1952 | Meany | | D30/128 |
| 2,603,440 | 7/1952 | Vesconte et al. | | D6/417 |
| 2,715,386 | 8/1955 | Jones | | 119/51.5 |
| 2,891,508 | 6/1959 | Bower | | 119/52.3 |
| 3,888,211 | 6/1975 | Allen | | 119/21 |
| 4,331,104 | 5/1982 | Clarke | | 119/52.3 |
| 4,332,112 | 3/1988 | Fenner et al. | | 119/52.2 |
| 4,986,219 | 1/1991 | Harris | | 119/61 |

FOREIGN PATENT DOCUMENTS

| | | | | |
|--------|--------|-------------|-------|---------|
| 251373 | 7/1948 | Switzerland | | 248/156 |
|--------|--------|-------------|-------|---------|

OTHER PUBLICATIONS

Popular Mechanics; Oct. 1939; p. 610; Combined Bird Bath and Feeder.

Duncraft Catalog; p. 11 item No. 596 Baffle.

Duncraft for the birds catalog; p. 13 item No. I.-606B Adjustable Post Baffle.

Duncraft for the birds catalog; p. 27 item No. 612 pole & squirrel baffle.

Duncraft Specialties for Bird Feeding; Fall 1990 Catalog, pp. 5 & 19 No. KUPB-Post & Baffle and No. KIF-S-Squirrel-proff baffle.

Primary Examiner—A. Hugo Word

Assistant Examiner—Cathy Anne MacCormac

Attorney, Agent, or Firm—Louis T. Isaf

[57] **CLAIM**

The ornamental design for squirrel guard, as shown and described.

DESCRIPTION

FIG. 1 is a perspective view of a squirrel guard showing my new design;

FIG. 2 is a front elevational view thereof, the rear and side elevational views are identical to the front view shown;

FIG. 3 is a top plan view thereof;

FIG. 4 is a perspective view of a second embodiment of FIG. 1;

FIG. 5 is a front elevational view thereof;

FIG. 6 is a rear elevational view thereof;

FIG. 7 is a top plan view thereof;

FIG. 8 is a left side elevational view thereof, the rear and right side are identical to the left side shown;

FIG. 9 is a perspective view of a third embodiment of FIG. 1;

FIG. 10 is a front elevational view thereof, the rear and side elevational views are identical to the front view shown;

FIG. 11 is a top plan view thereof;

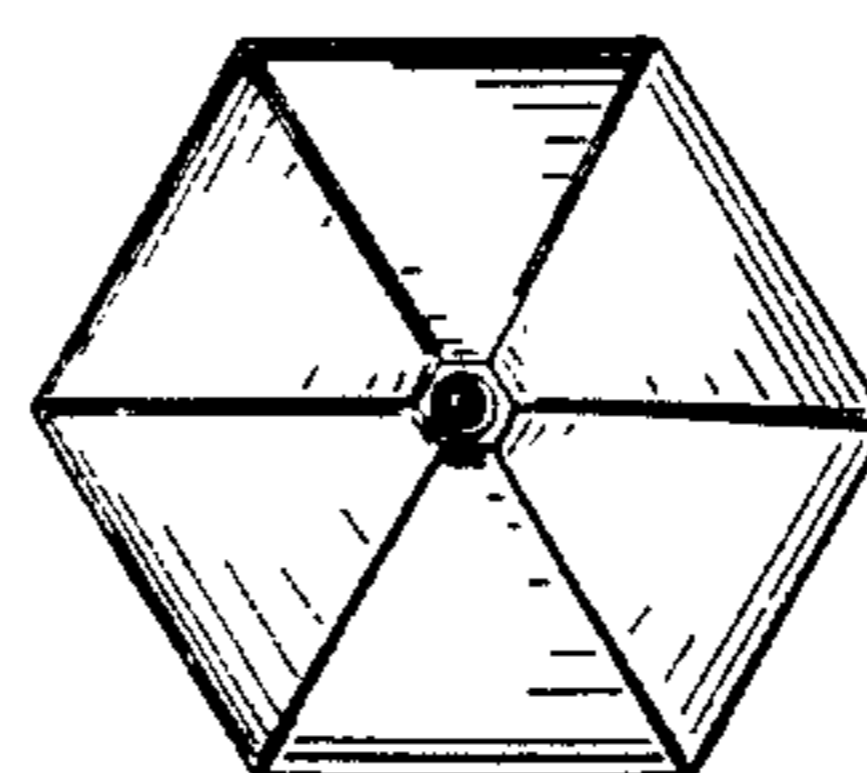
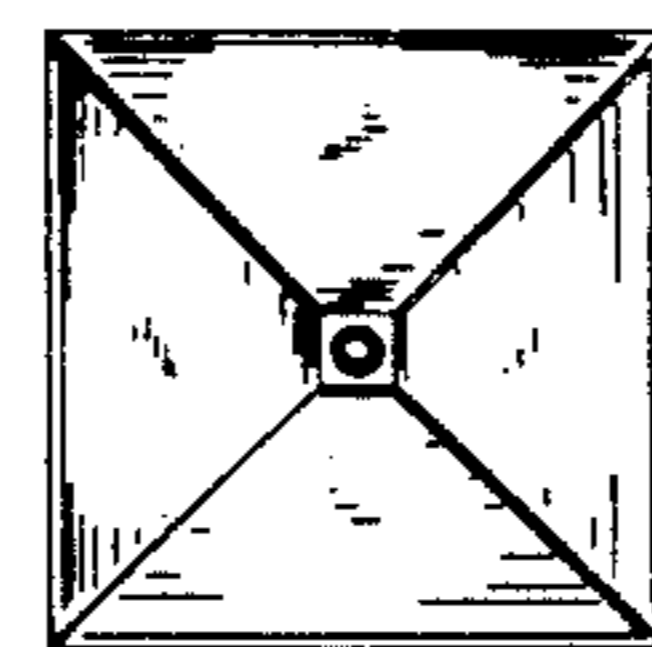
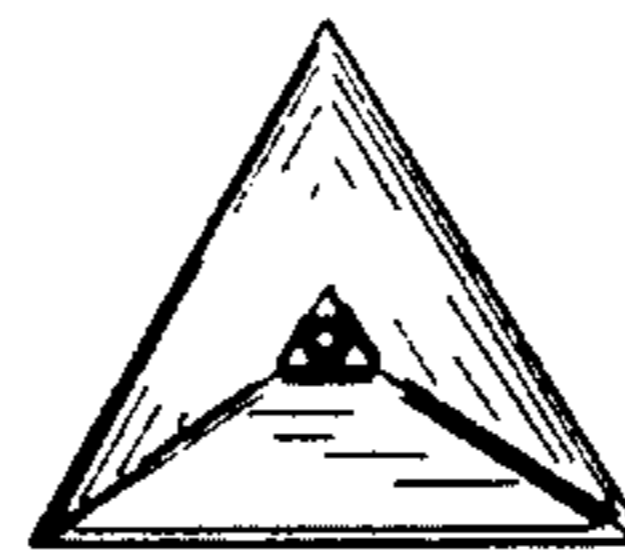
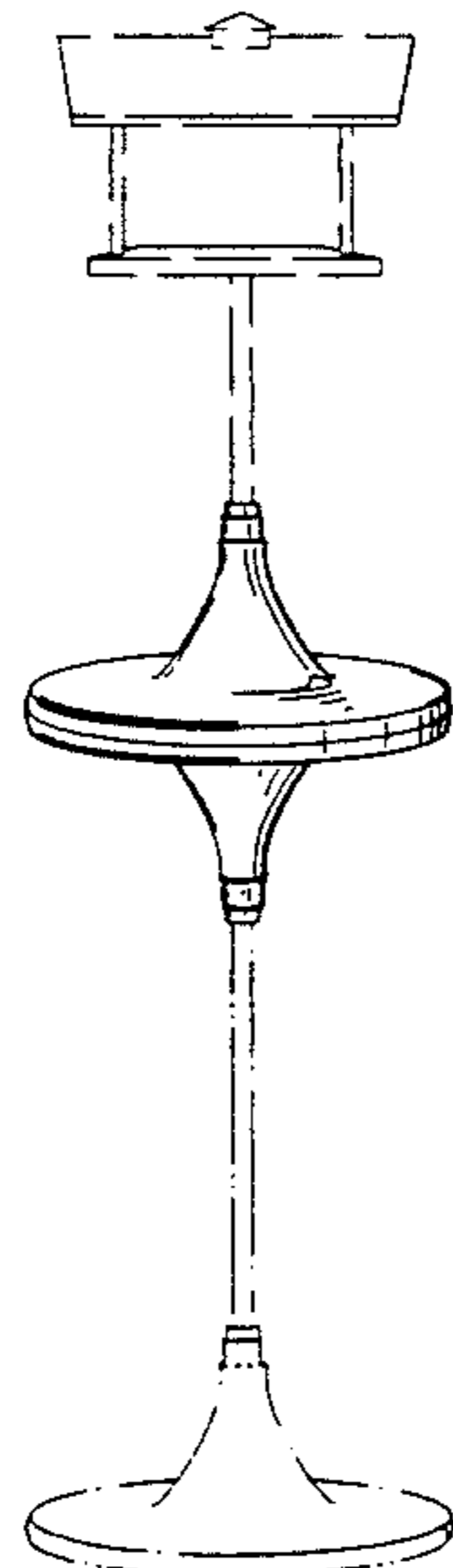
FIG. 12 is a perspective view of a fourth embodiment of FIG. 1;

FIG. 13 is a front elevational view thereof, the rear being identical to the front view shown;

FIG. 14 is a left side elevational view thereof, the right side being identical to the left side shown; and,

FIG. 15 is a top plan view thereof.

The broken lines are for purposes of illustration only and form no part of the claimed design.



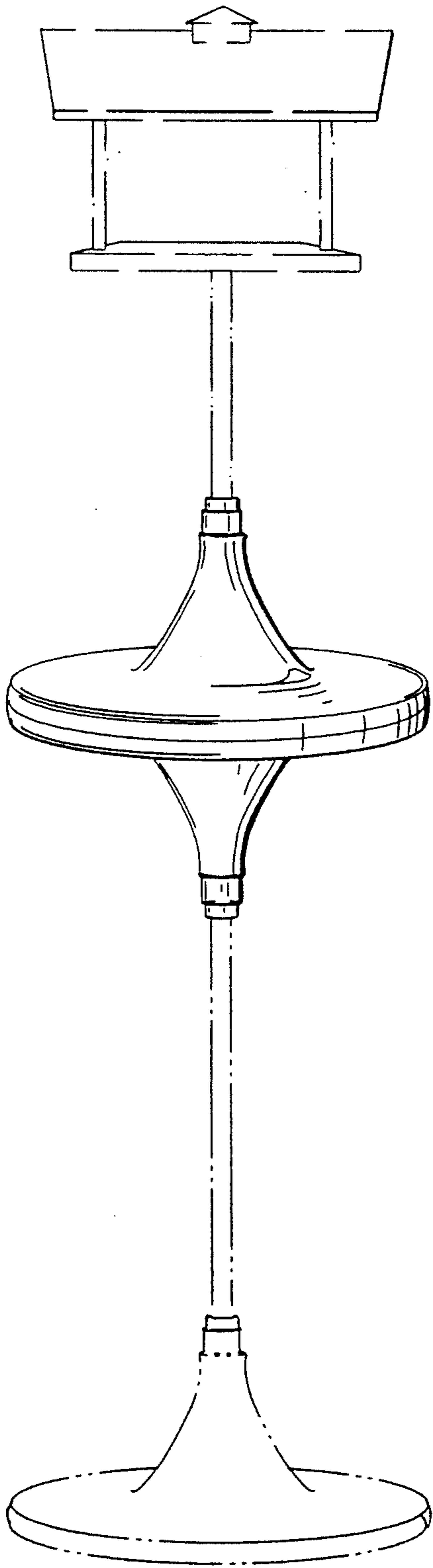


FIG 1

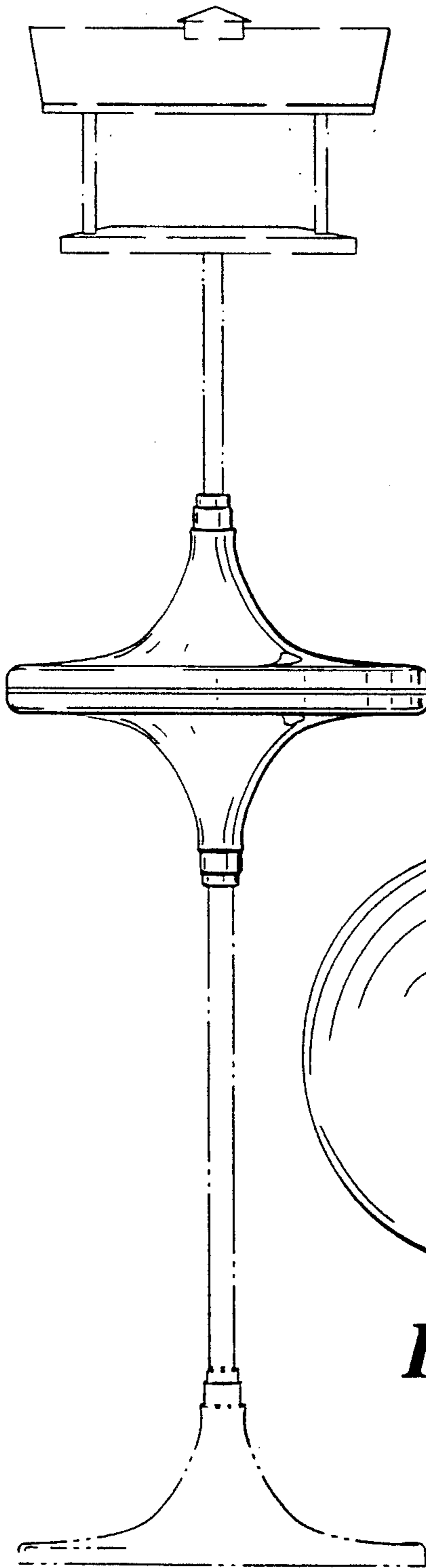


FIG 2

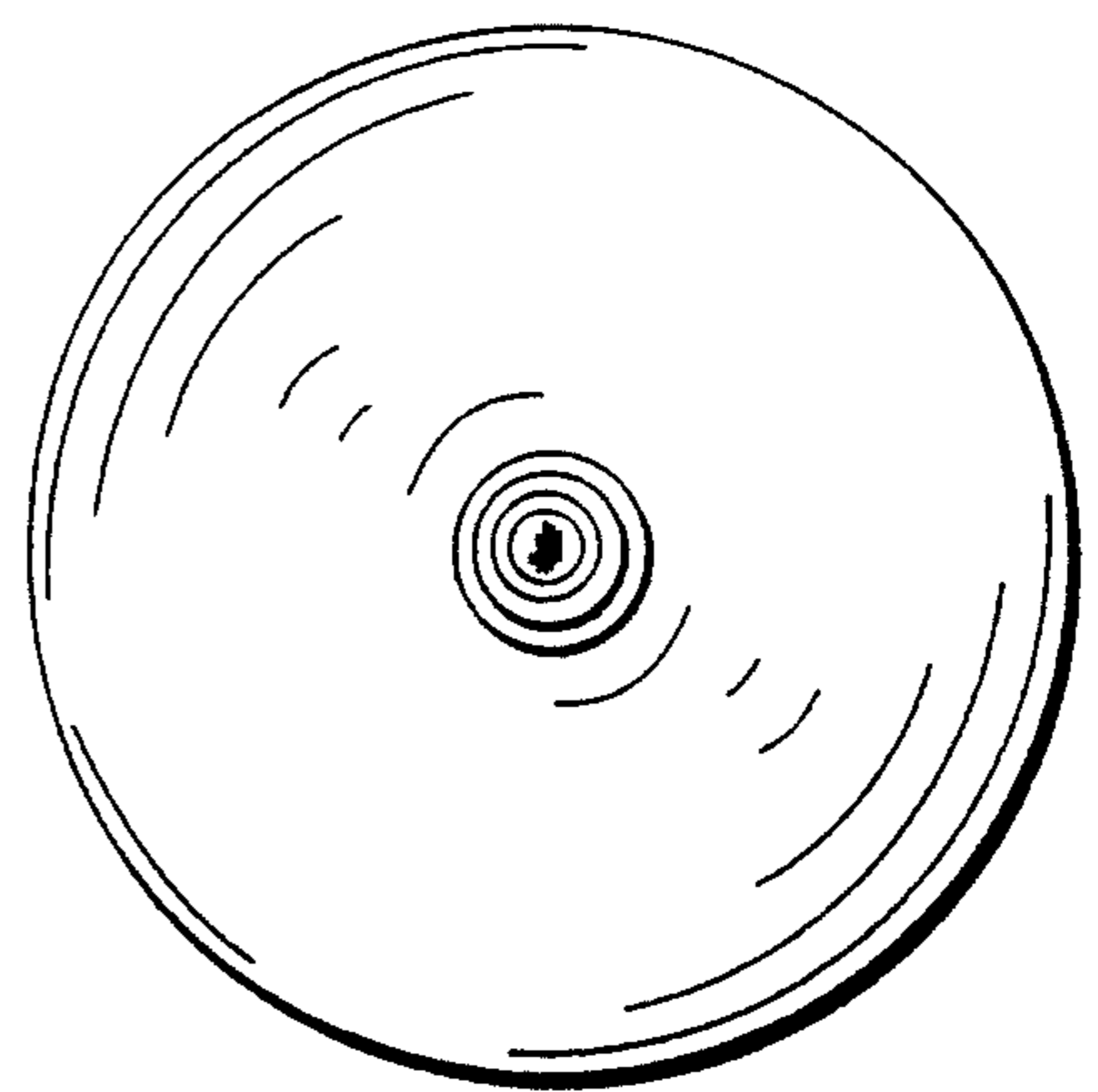


FIG 3

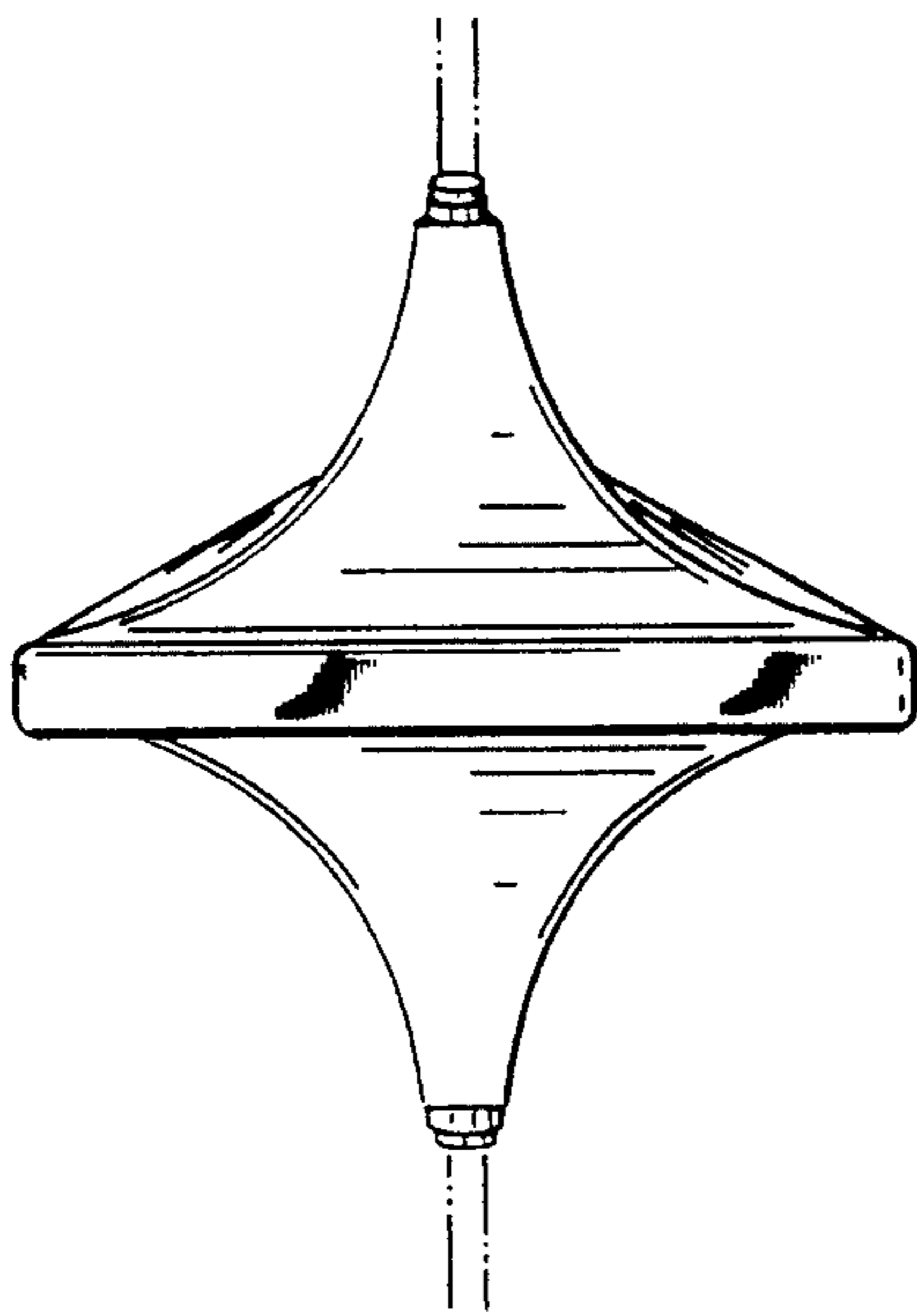


FIG 4

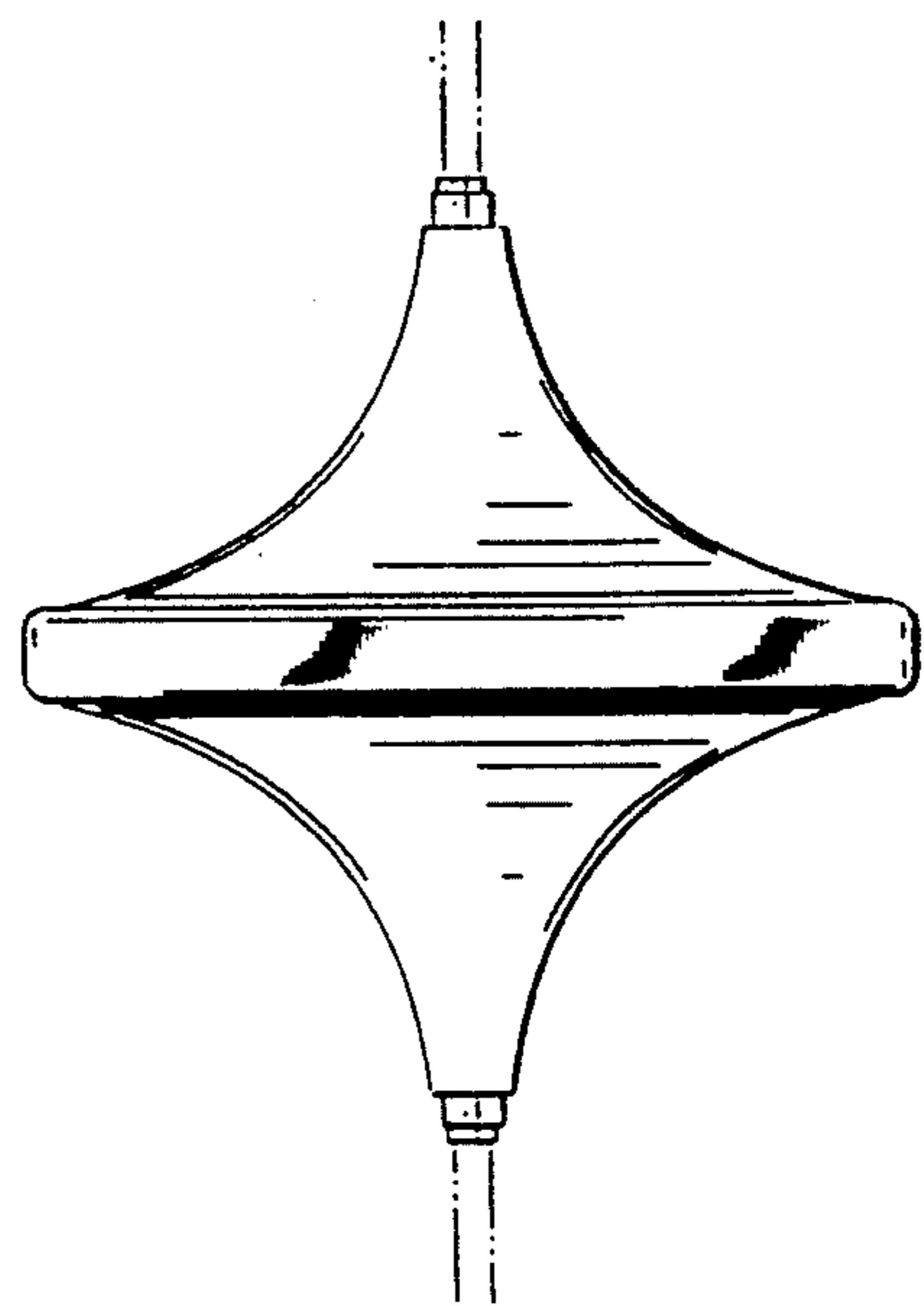


FIG 5

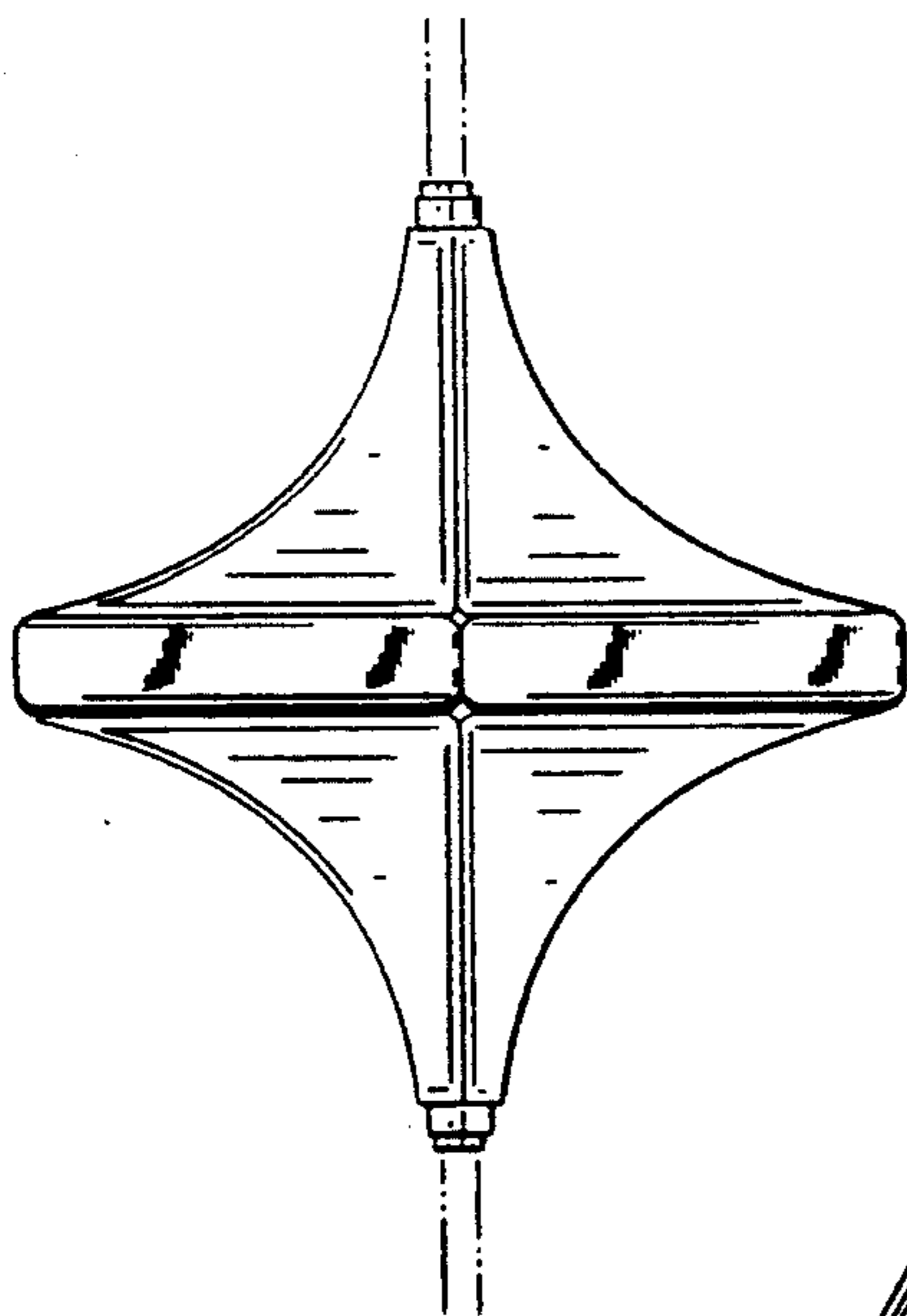


FIG 6

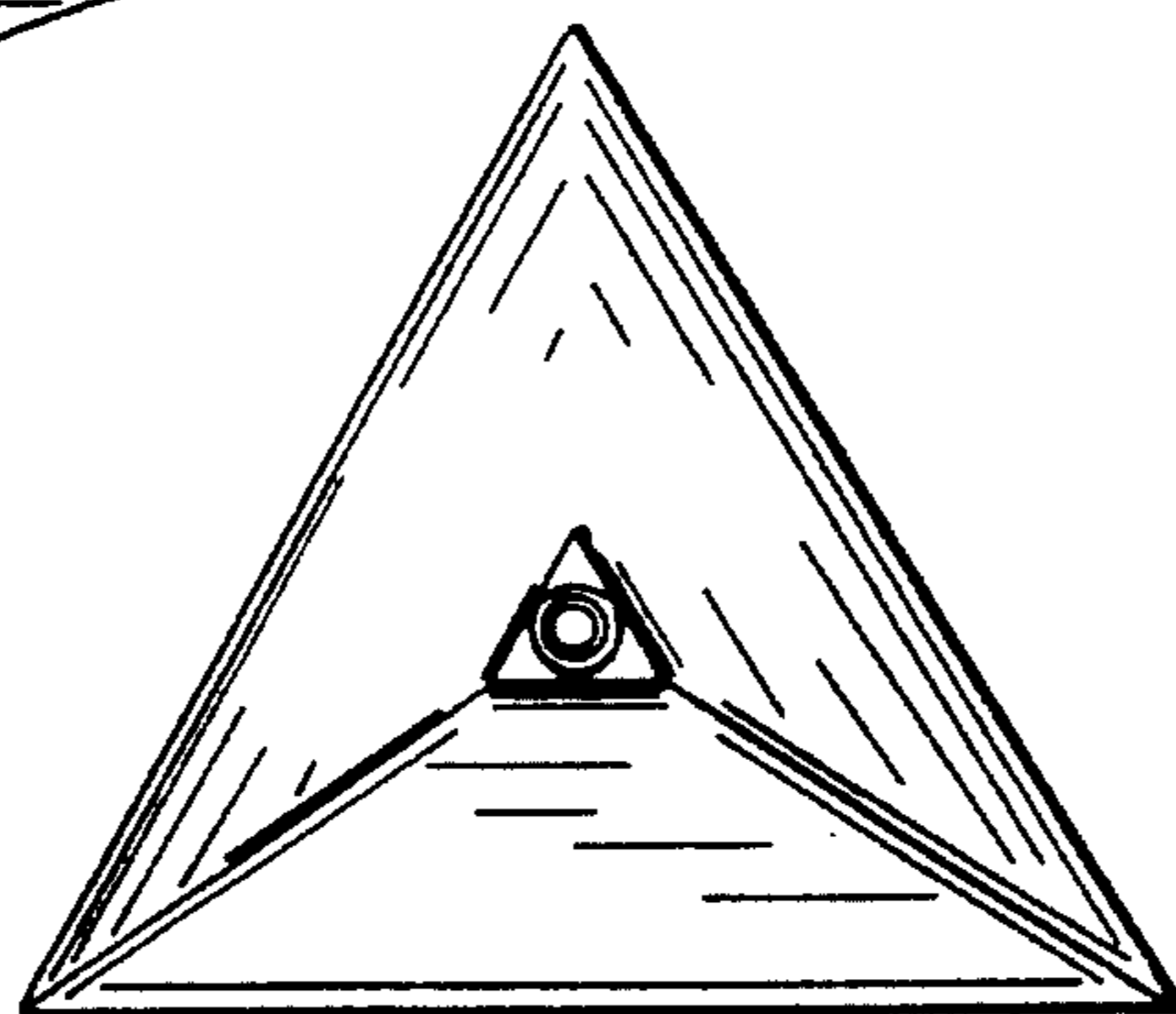


FIG 7

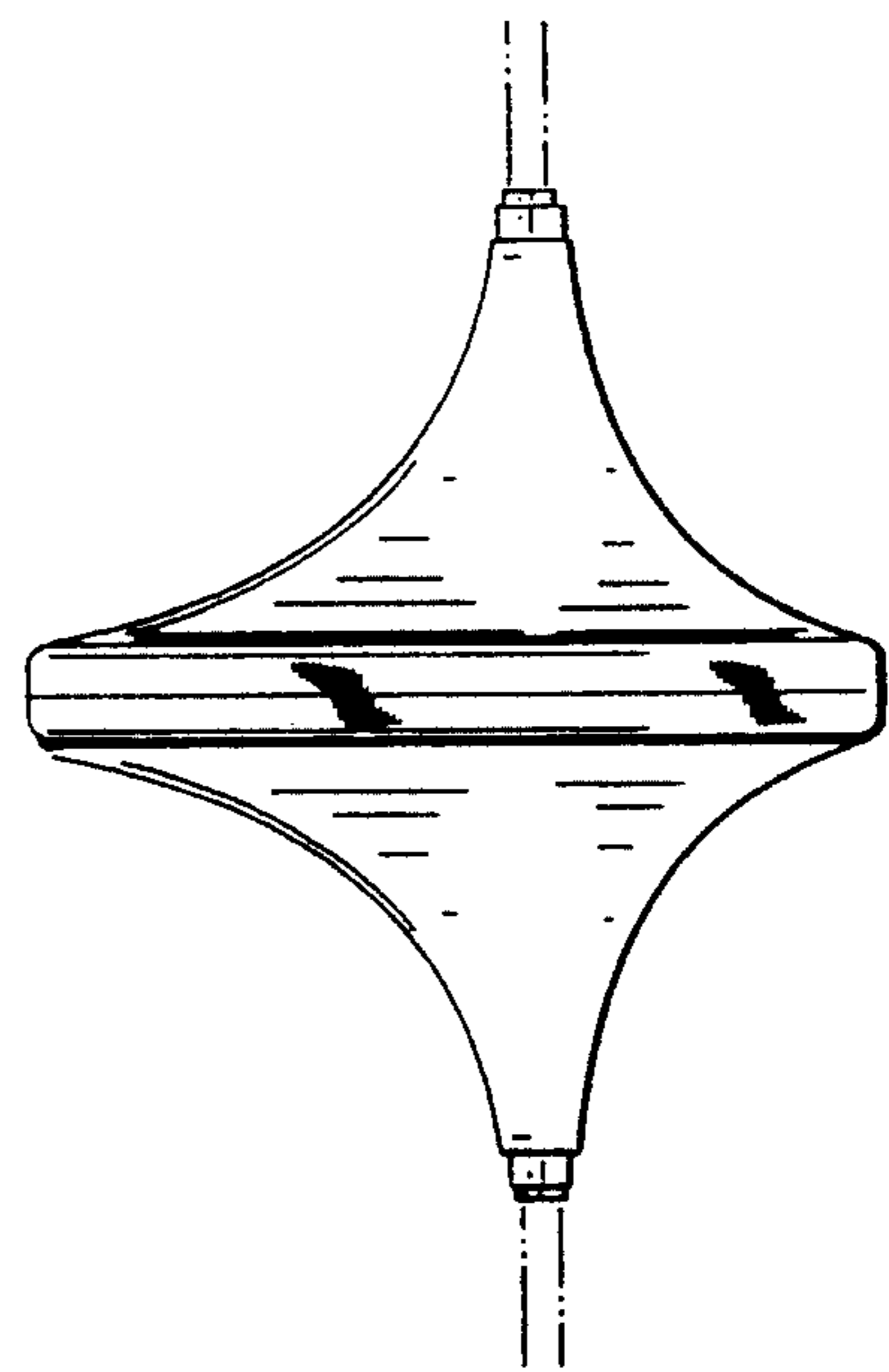


FIG 8

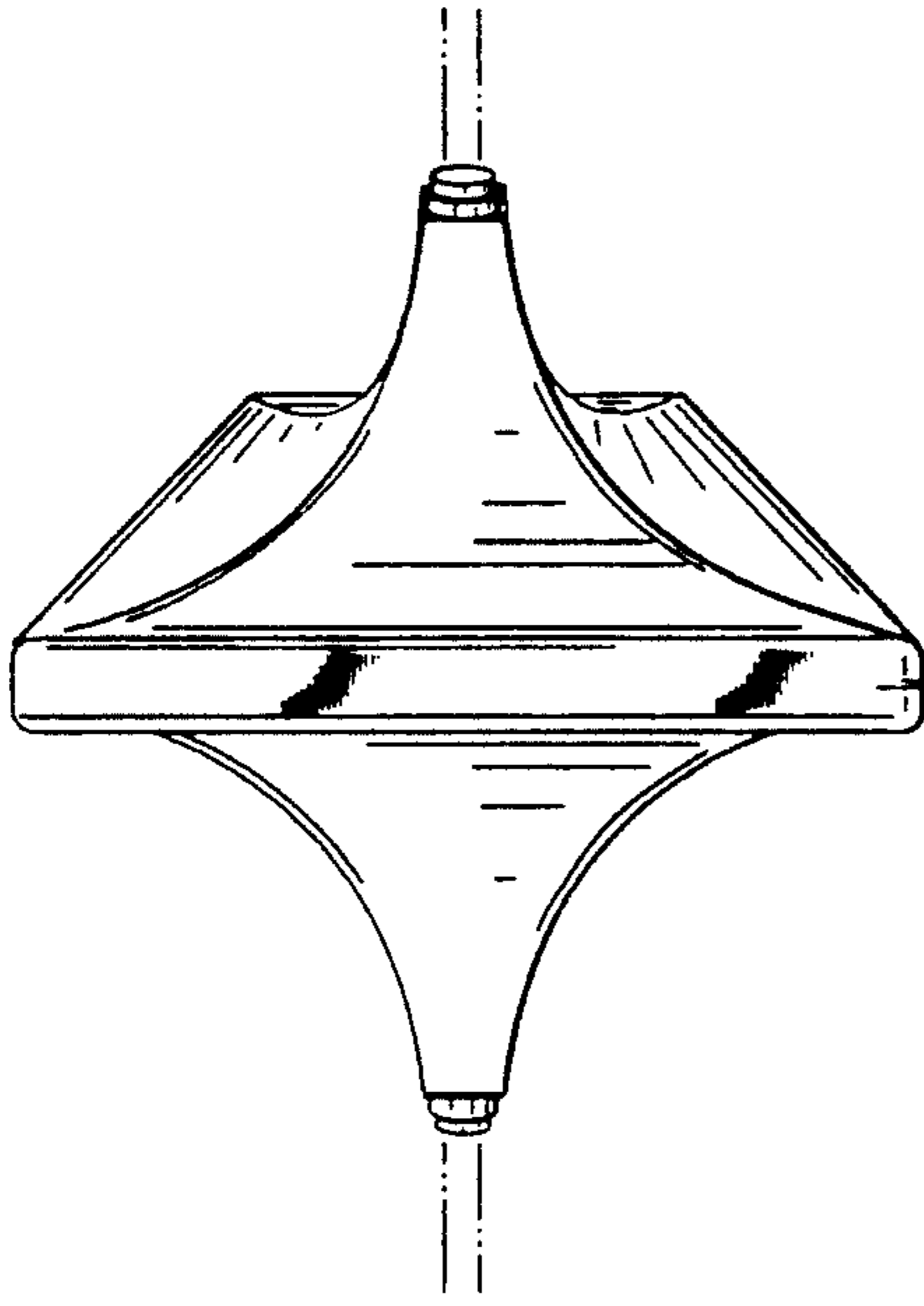


FIG 9

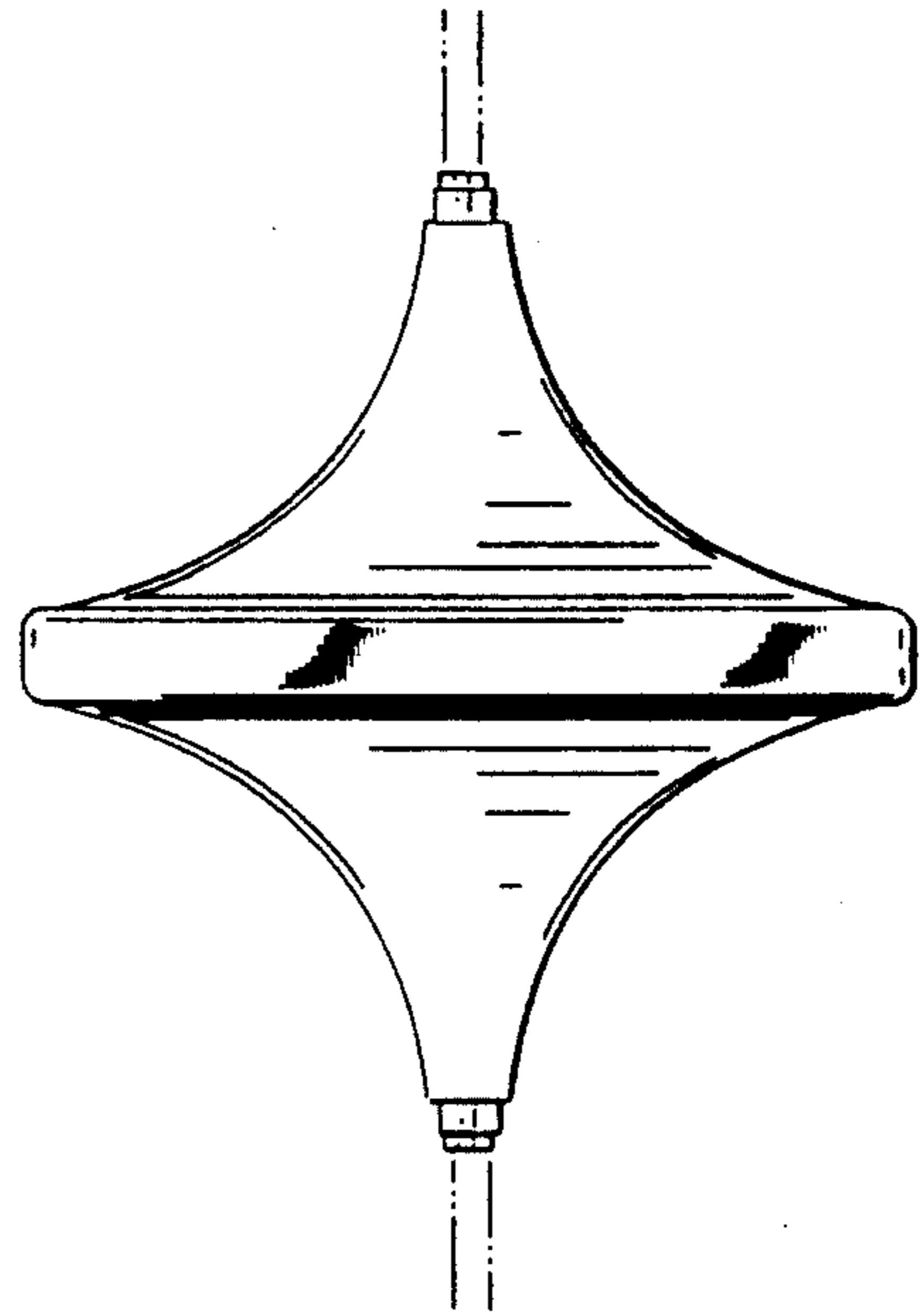


FIG 10

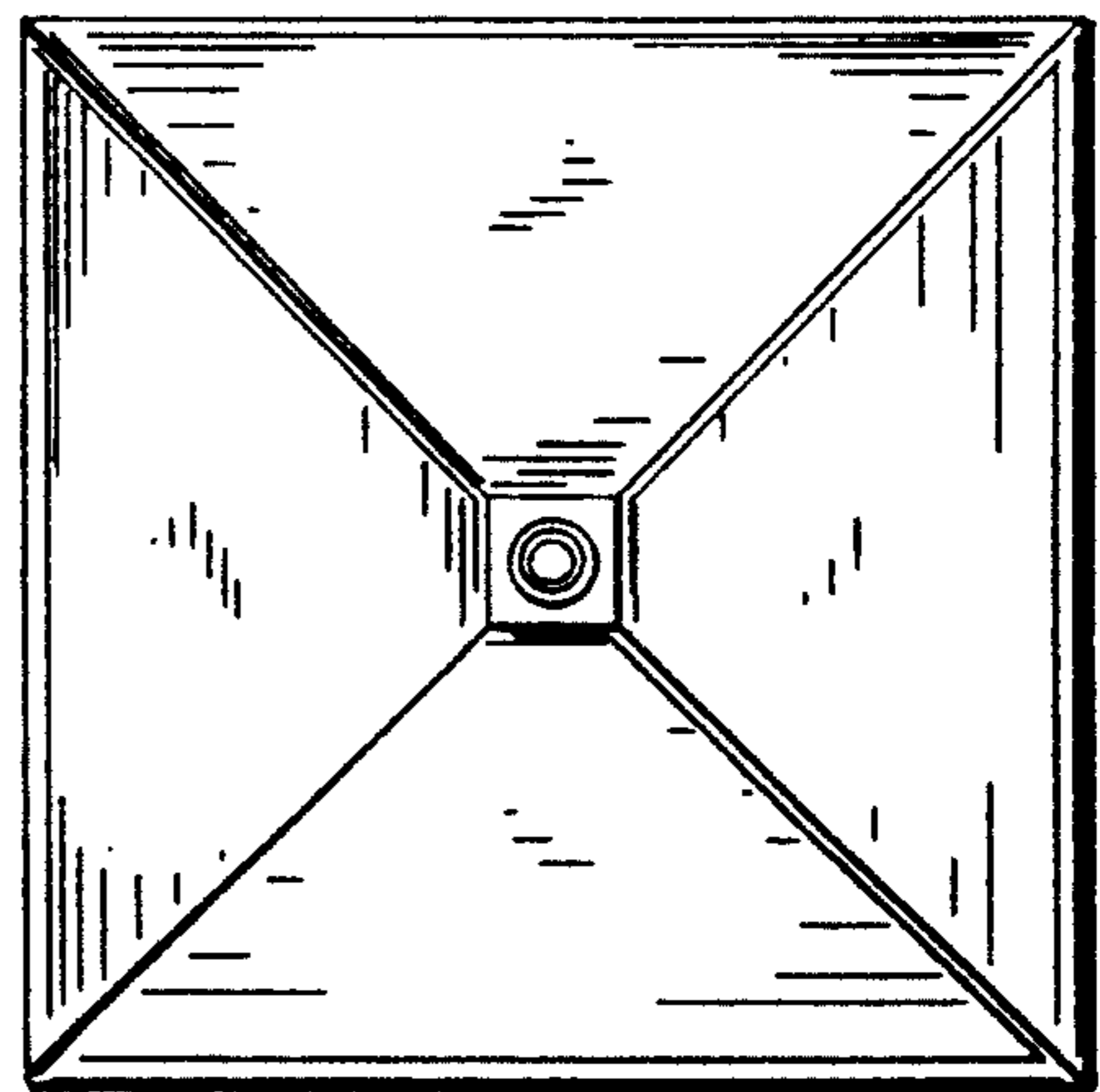


FIG 11

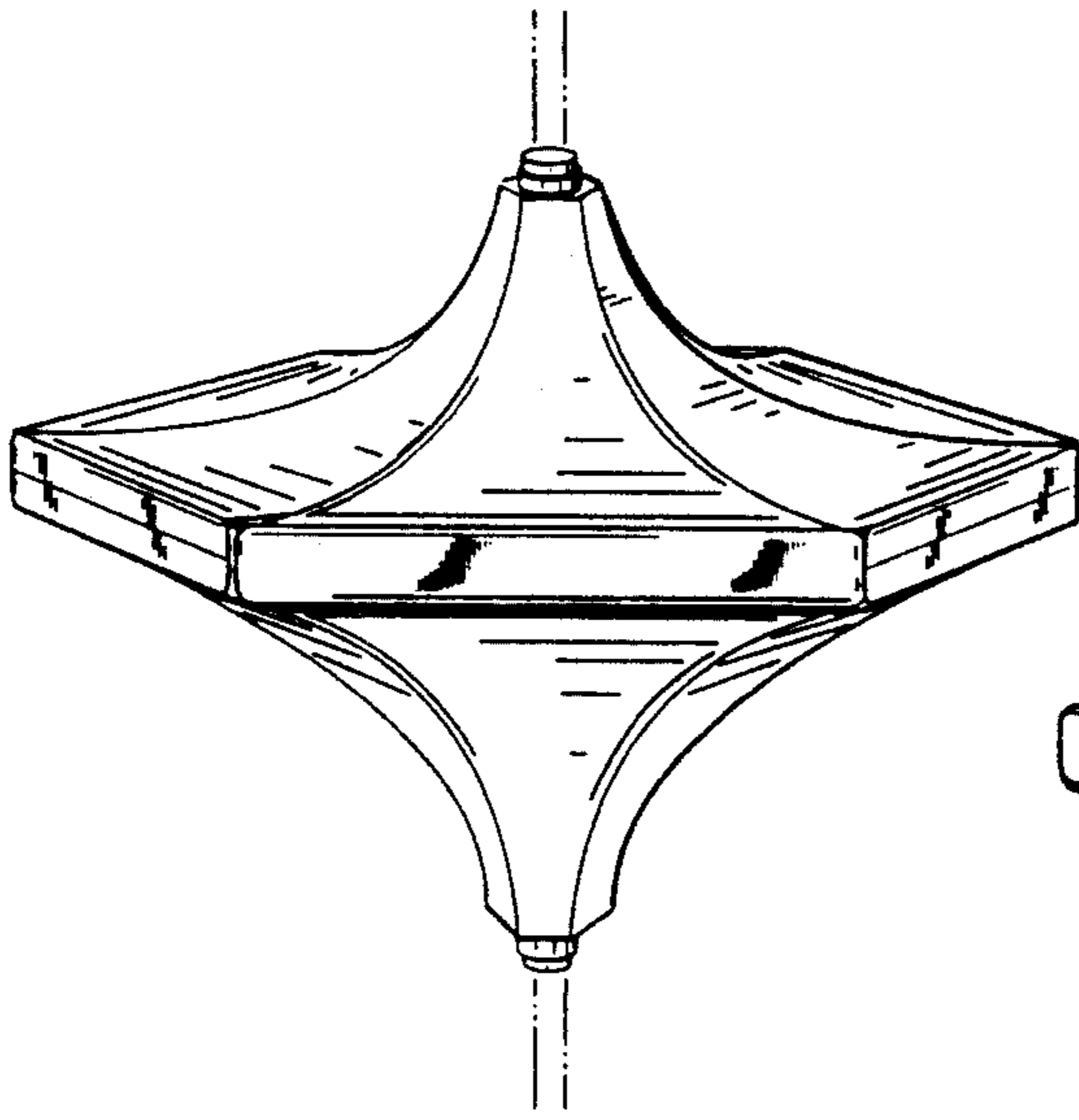


FIG 12

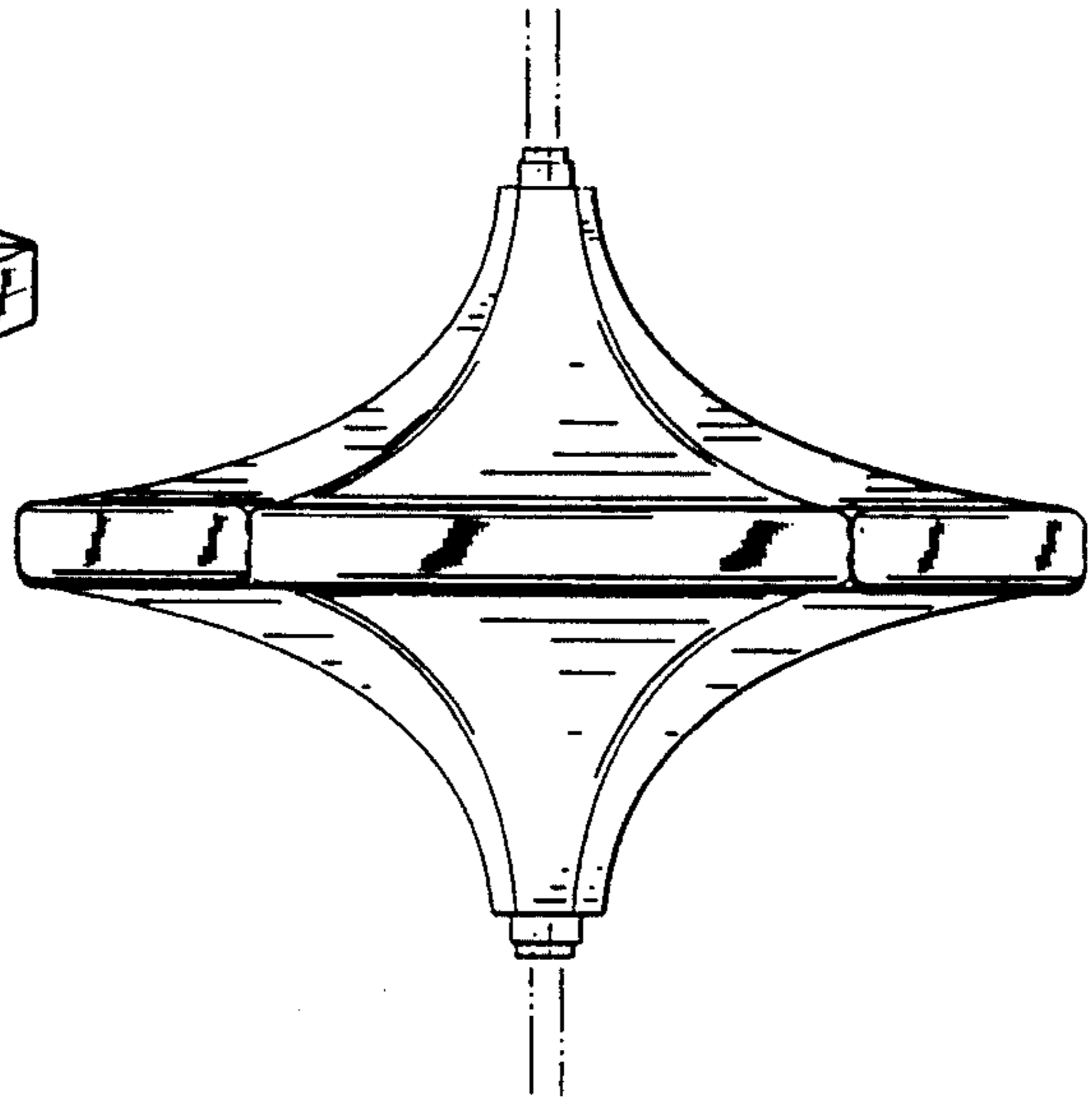


FIG 13

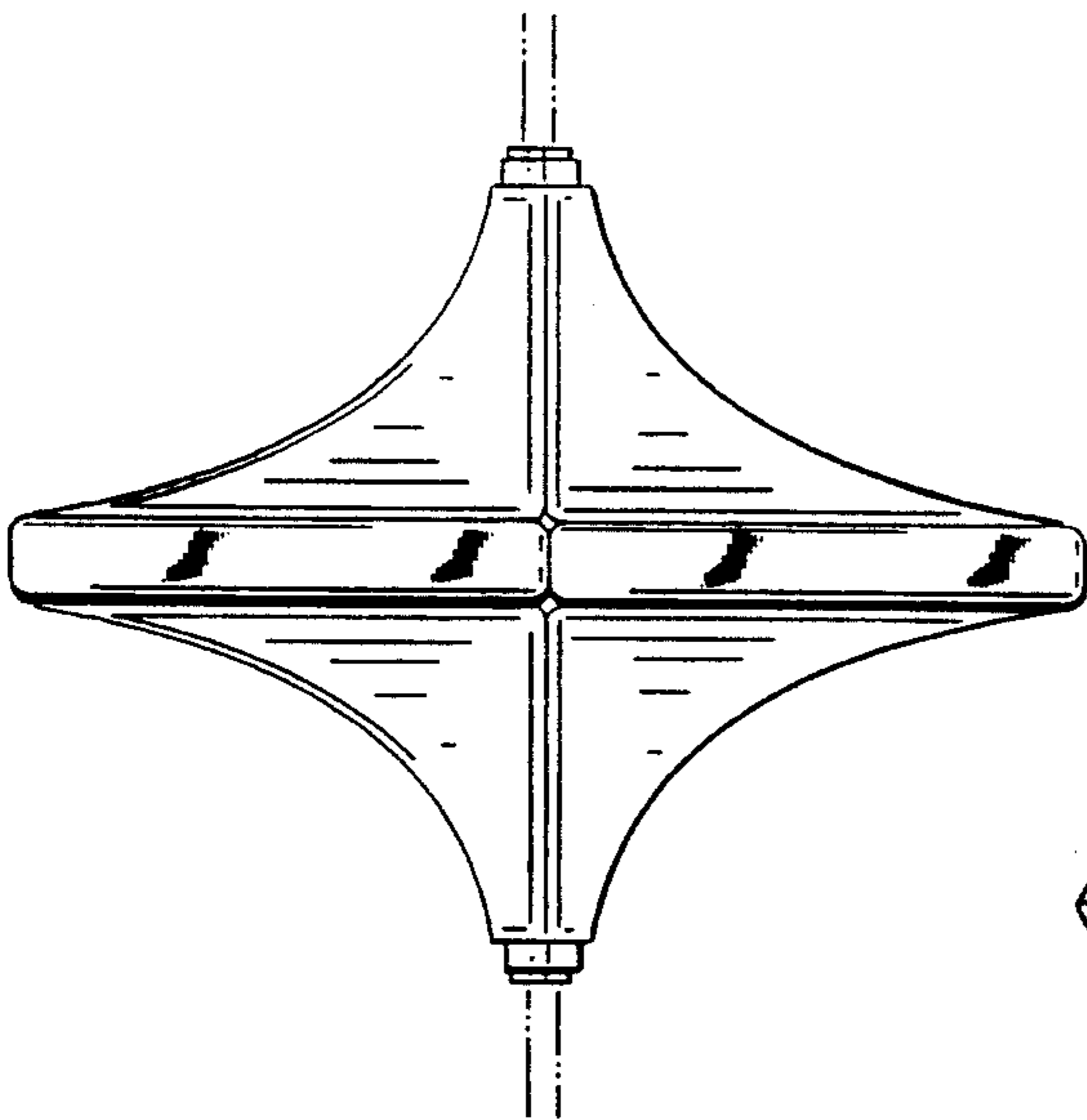


FIG 14

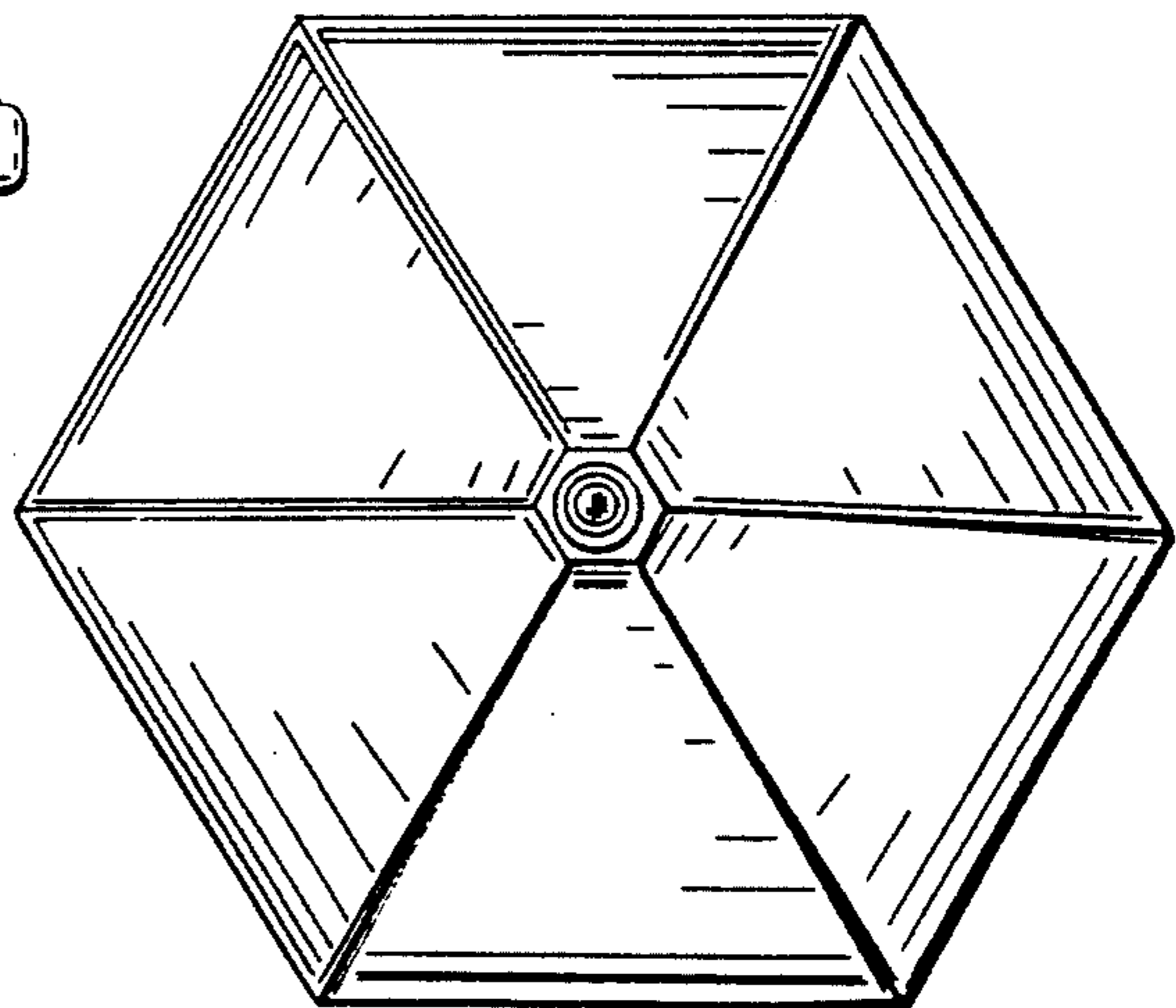


FIG 15