



US00D336550S

**United States Patent** [19]  
**Bishop**

[11] **Patent Number: Des. 336,550**  
[45] **Date of Patent: \*\* Jun. 15, 1993**

[54] **HUNTER'S SAFETY BELT**

[76] Inventor: **Charles M. Bishop**, 129 Knoll Crest Dr., Birmingham, Ala. 35209

[\*\*] Term: **14 Years**

[21] Appl. No.: **591,028**

[22] Filed: **Oct. 1, 1990**

[52] U.S. Cl. .... **D29/10; D2/627**

[58] Field of Search ..... **D2/627; D3/100, 101; D29/11, 10; 2/314, 305, 308, 309, 311, 312, 316, 317, 321, 322; 224/208, 215**

[56] **References Cited**

**U.S. PATENT DOCUMENTS**

2,324,183	7/1943	Wilson	2/321	X
2,514,796	7/1950	Rishcoff	224/208	
3,035,257	3/1936	Blaser	D2/627	X
3,141,180	7/1964	Pursley et al.	D2/627	X
4,944,043	7/1990	Bush	2/308	

**OTHER PUBLICATIONS**

Hong Kong Enterprise, Mar. 1986 p. 164 middle.  
Cabela's Fall 1984 p. 100 top right.

*Primary Examiner*—A. Hugo Word  
*Assistant Examiner*—Paula A. Mortimer  
*Attorney, Agent, or Firm*—Veal & Associates

[57] **CLAIM**

The ornamental design for a hunter's safety belt, as shown and described.

**DESCRIPTION**

FIG. 1 is a perspective view of a hunter's safety belt in closed position showing my new design;  
FIG. 2 is a rear perspective view thereof;  
FIG. 3 is a front perspective view of the safety belt in open position;  
FIG. 4 is a rear perspective view thereof; and,  
FIG. 5 is a bottom perspective view thereof.

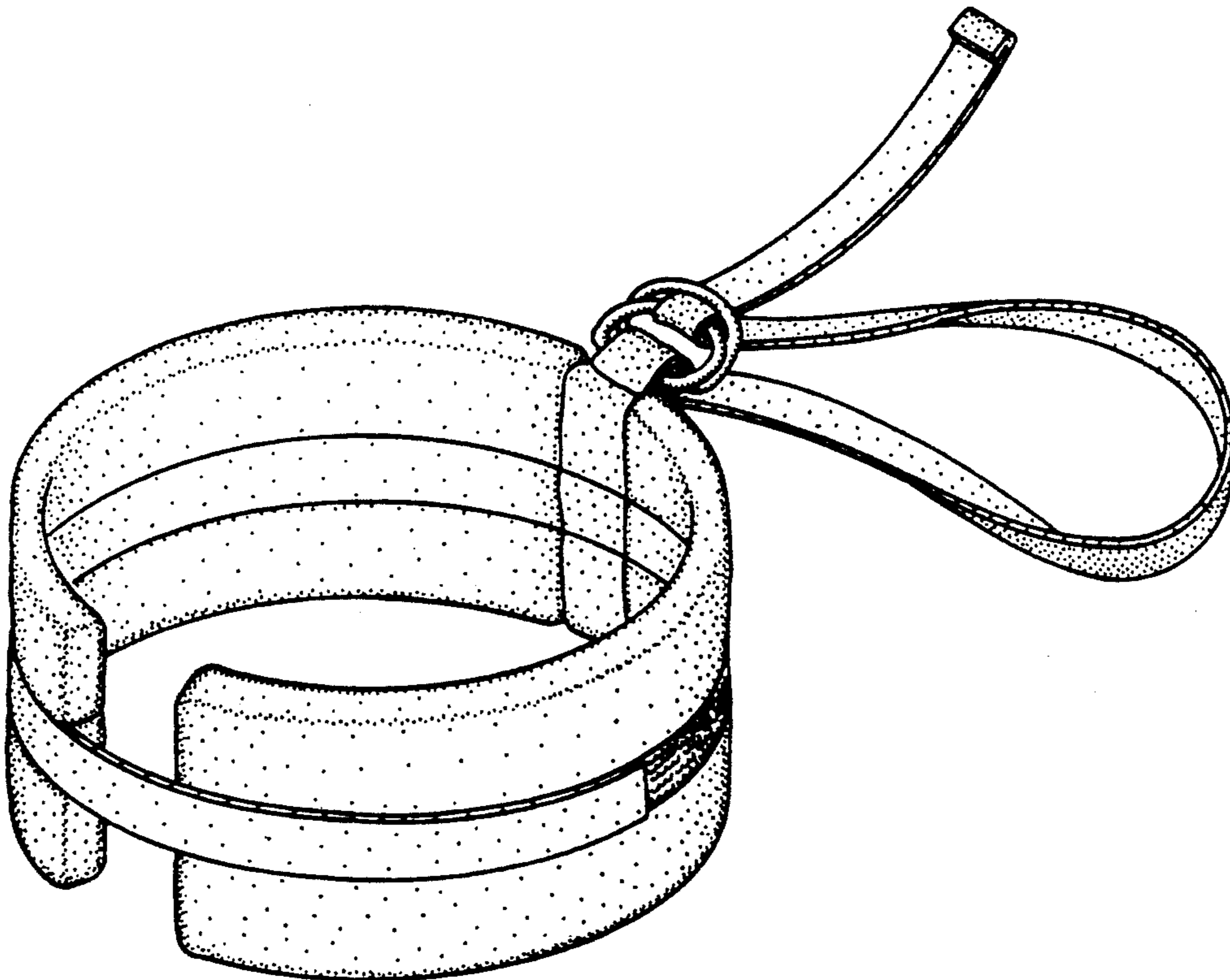


FIG. 1

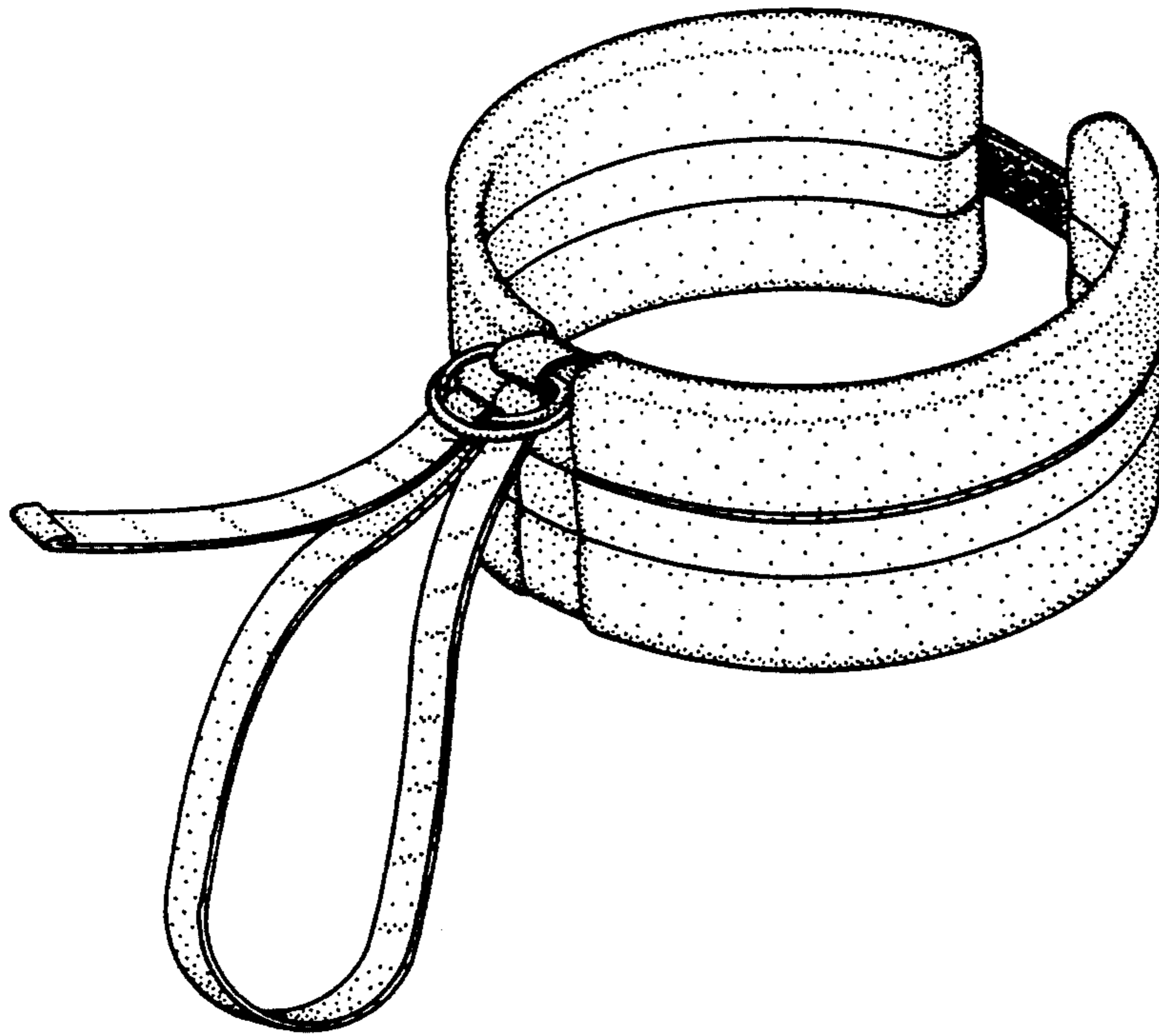
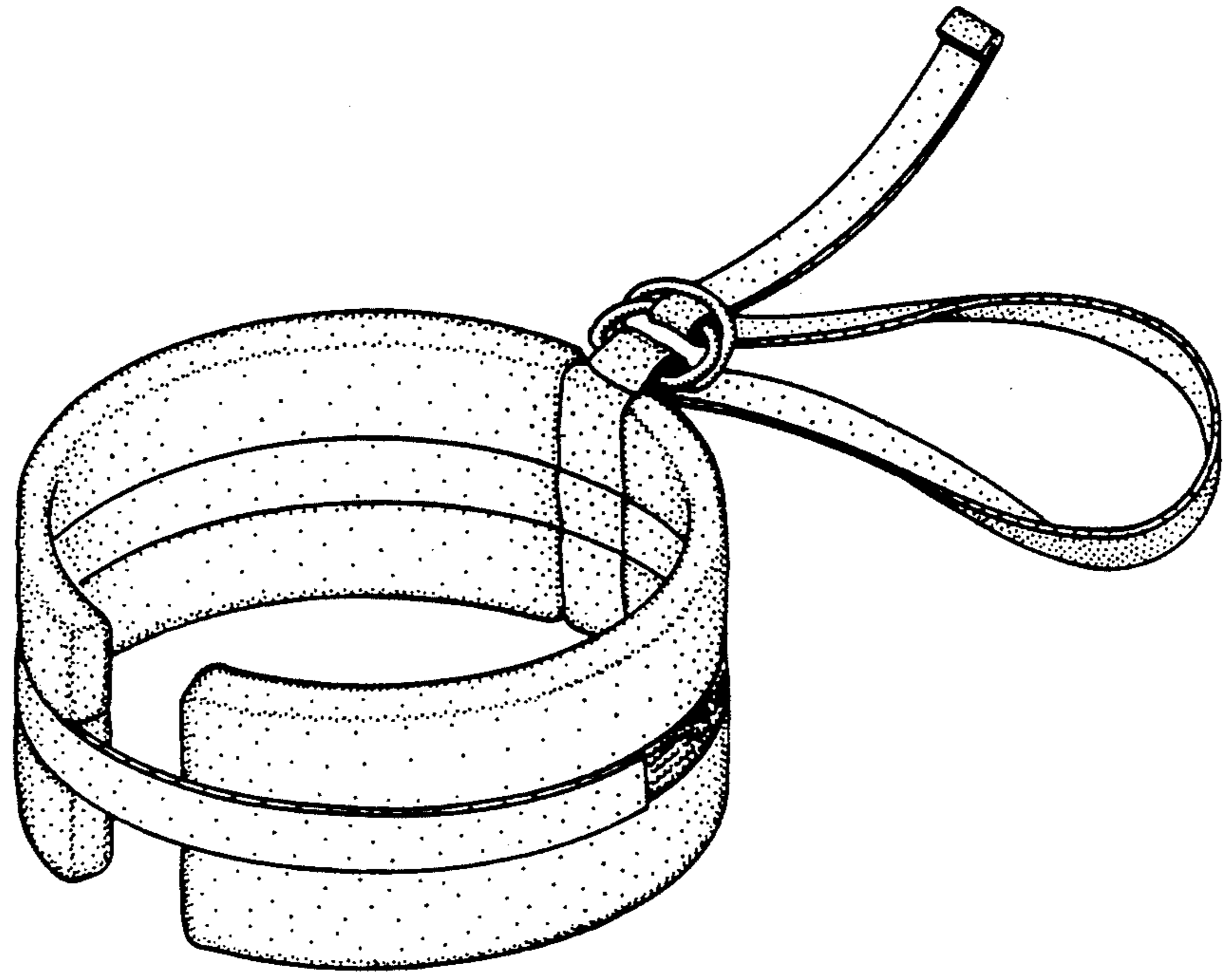


FIG. 2

FIG. 3

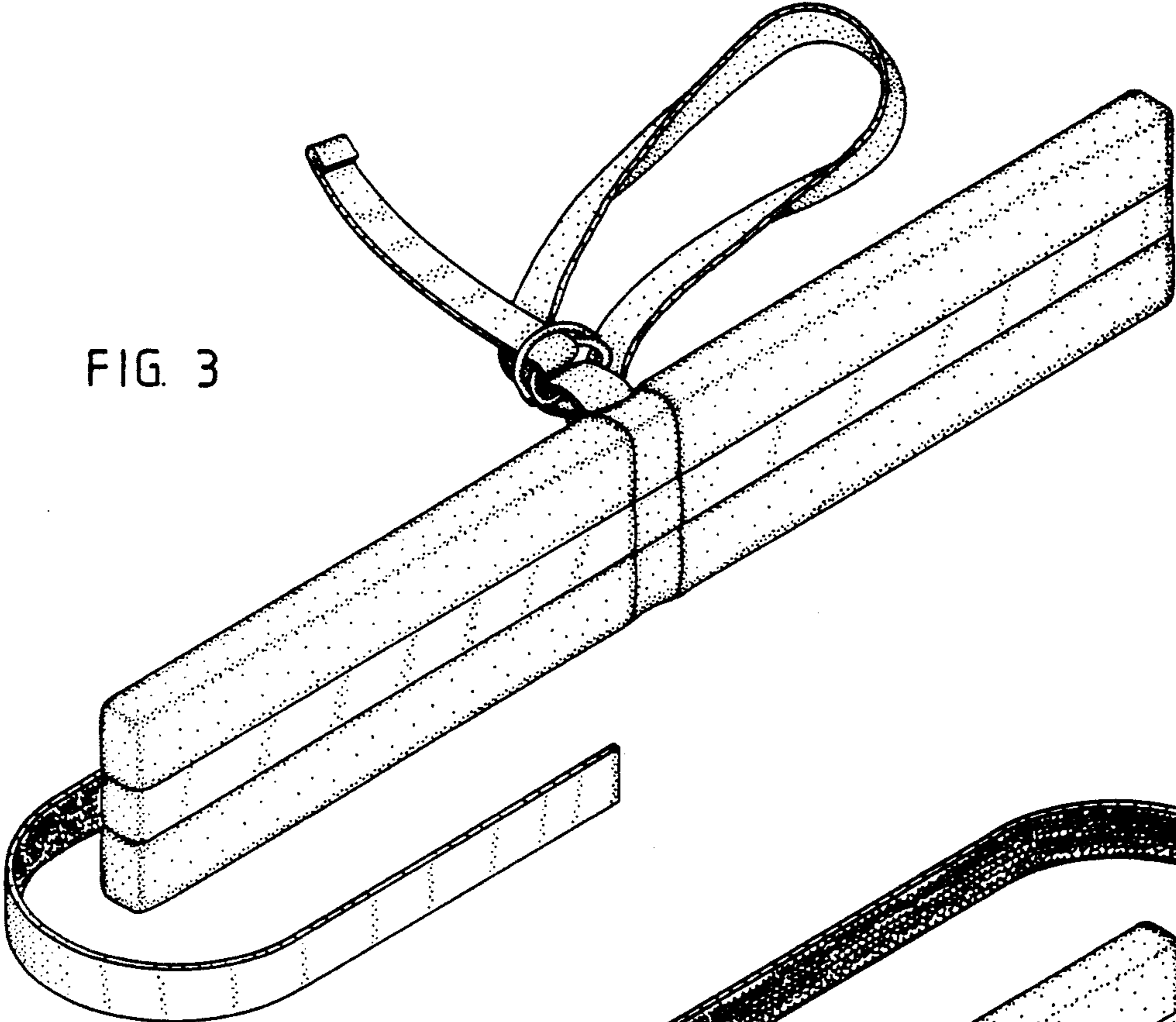


FIG. 4

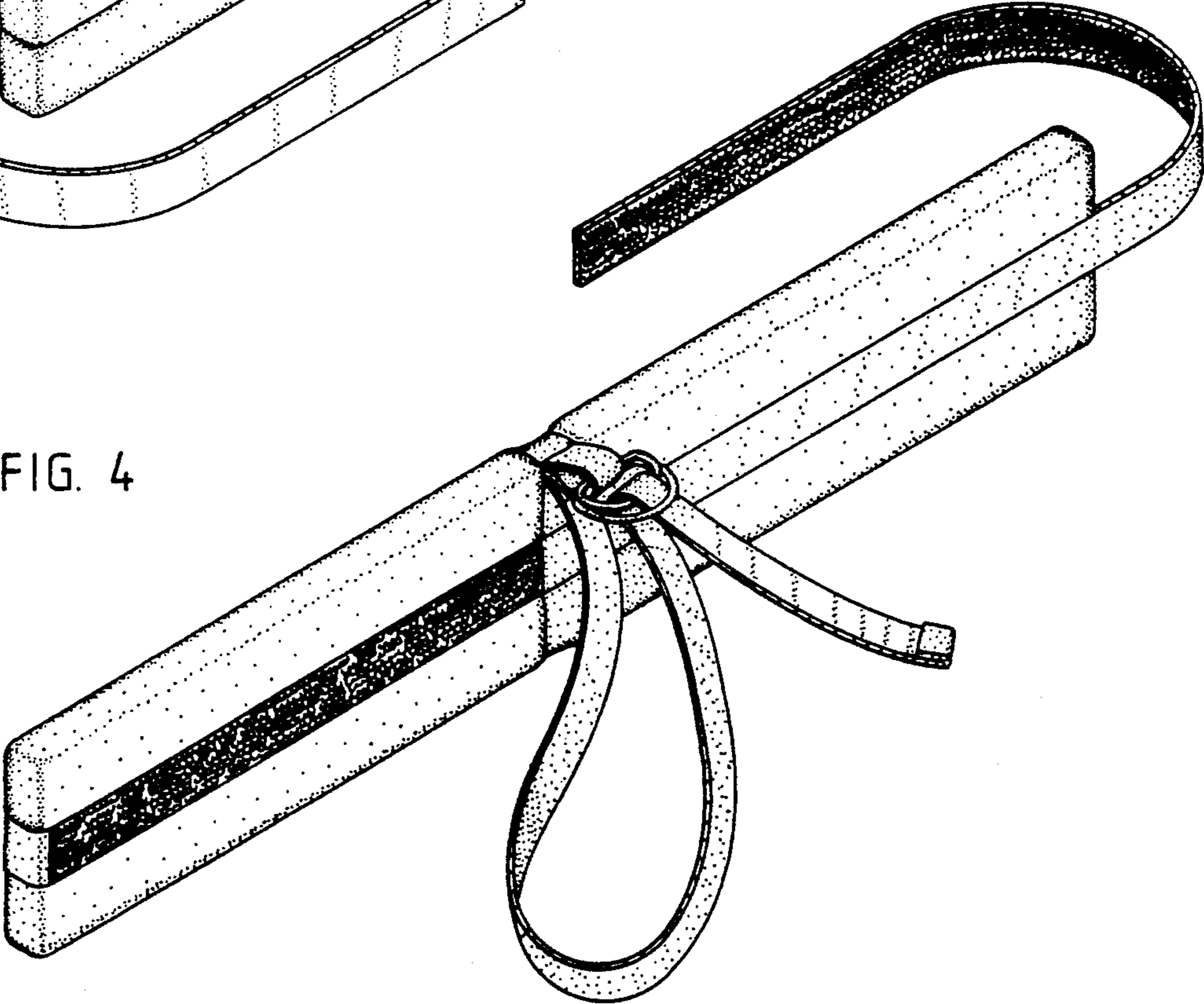




FIG. 5

