



US00D336540S

United States Patent [19]

[11] Patent Number: **Des. 336,540**

Doran

[45] Date of Patent: **** Jun. 15, 1993**

[54] NIT COMB

[75] Inventor: **William T. Doran**, Succasuna, N.J.

[73] Assignee: **Pfizer Inc.**, New York, N.Y.

[**] Term: **14 Years**

[21] Appl. No.: **551,574**

[22] Filed: **Jul. 11, 1990**

[52] U.S. Cl. **D28/31**

[58] Field of Search **D28/21-34;**
132/219, 212, 125, 126, 137-139, 148, 150

[56] **References Cited**

U.S. PATENT DOCUMENTS

D. 142,930	11/1945	Adler	D28/31
D. 199,718	12/1964	Adler	D28/31
D. 312,144	11/1990	Buba	D28/52
4,612,945	9/1986	Bachrach	132/142

FOREIGN PATENT DOCUMENTS

179618	2/1954	France	132/150
1130177	1/1957	France	132/150

Primary Examiner—Bernard Ansher

Assistant Examiner—C. Tuttle

Attorney, Agent, or Firm—Peter C. Richardson; Paul H. Ginsburg; Robert F. Sheyka

[57] **CLAIM**

The ornamental design for a nit comb, as shown and described.

DESCRIPTION

FIG. 1 is a top perspective view of a nit comb showing my new design;

FIG. 2 is a side elevational view thereof, the side opposite being a mirror image of the side shown;

FIG. 3 is an end elevational view seen from the right of FIG. 2;

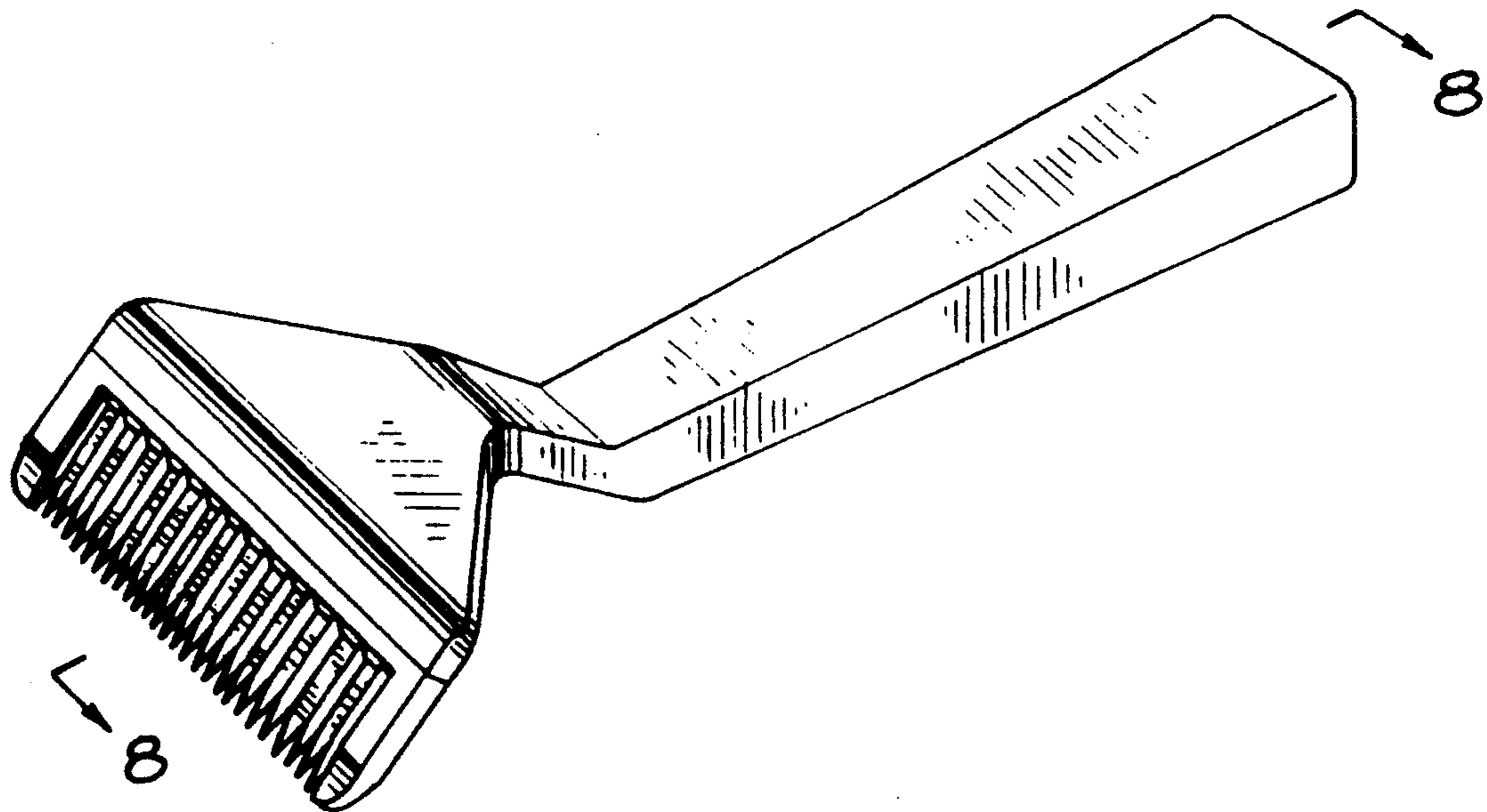
FIG. 4 is an end elevational view seen from the left of FIG. 2;

FIG. 5 is a top plan view thereof;

FIG. 6 is a bottom plan view thereof;

FIG. 7 is an enlarged fragmentary bottom view shown partially rotated to the right of FIG. 6; and

FIG. 8 is a cross-sectional view taken along 8—8 of FIG. 1.



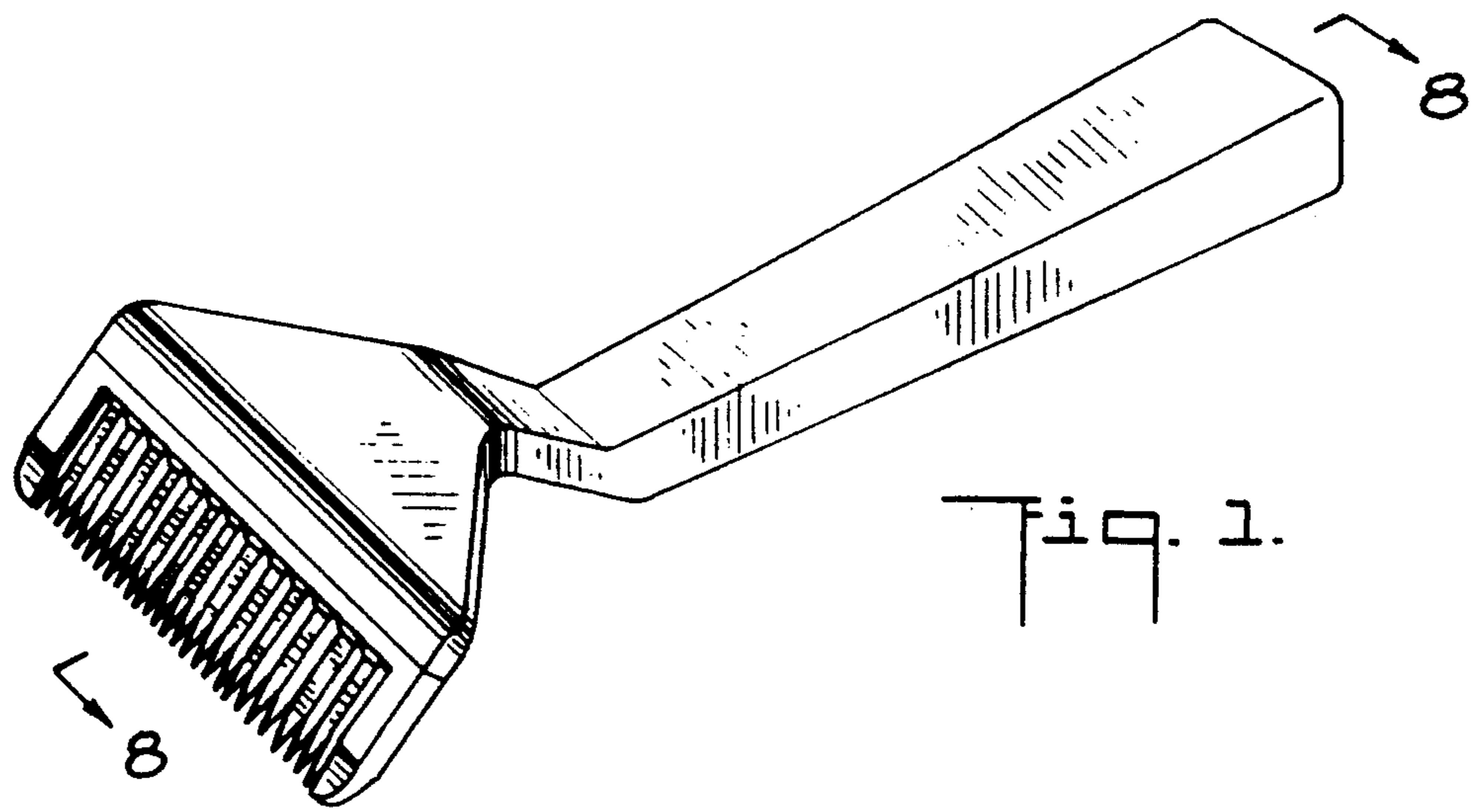


Fig. 1.

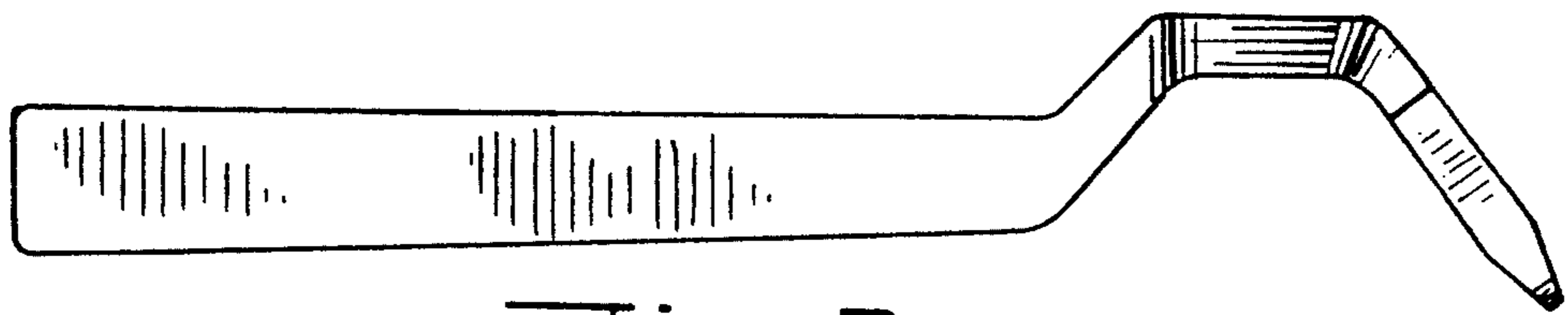


Fig. 2.

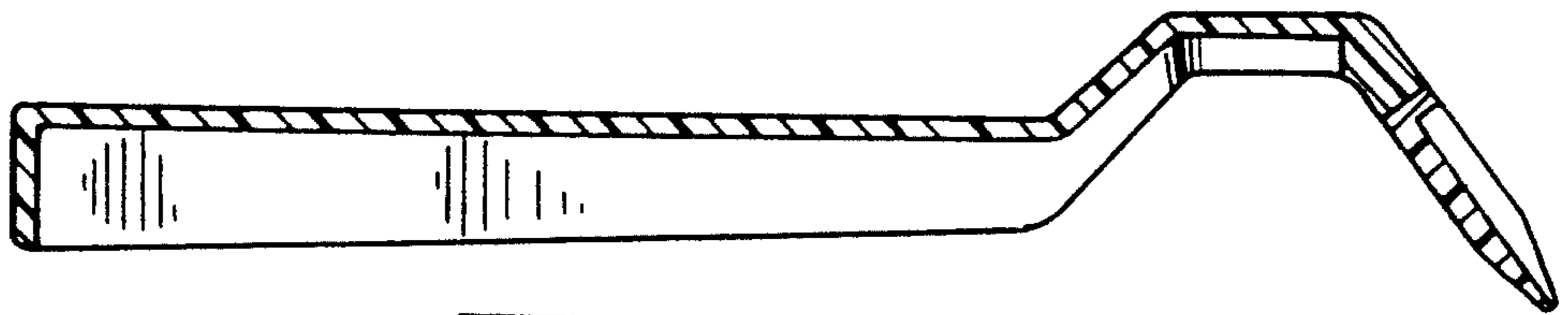


Fig. 3.

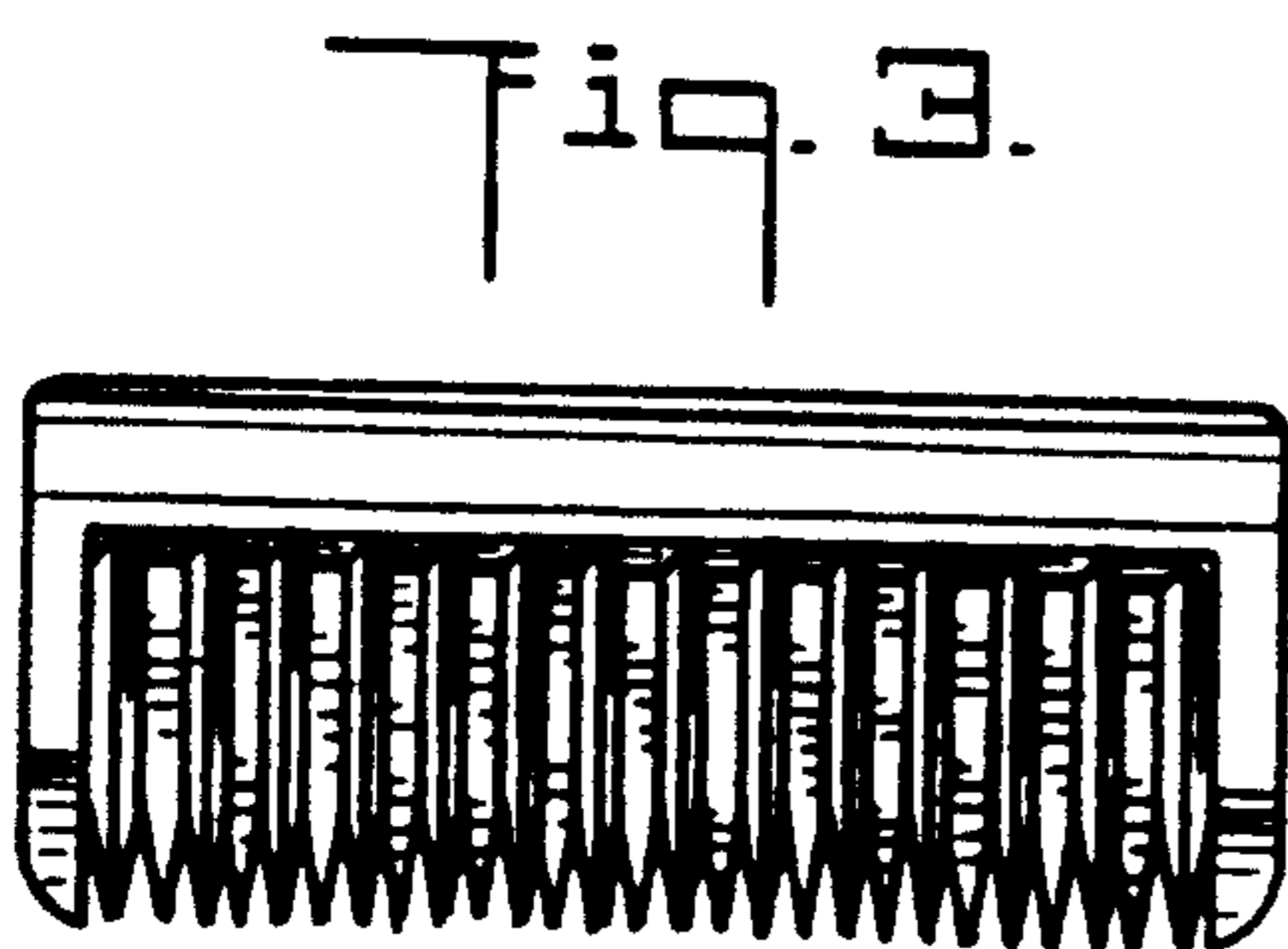


Fig. 4.

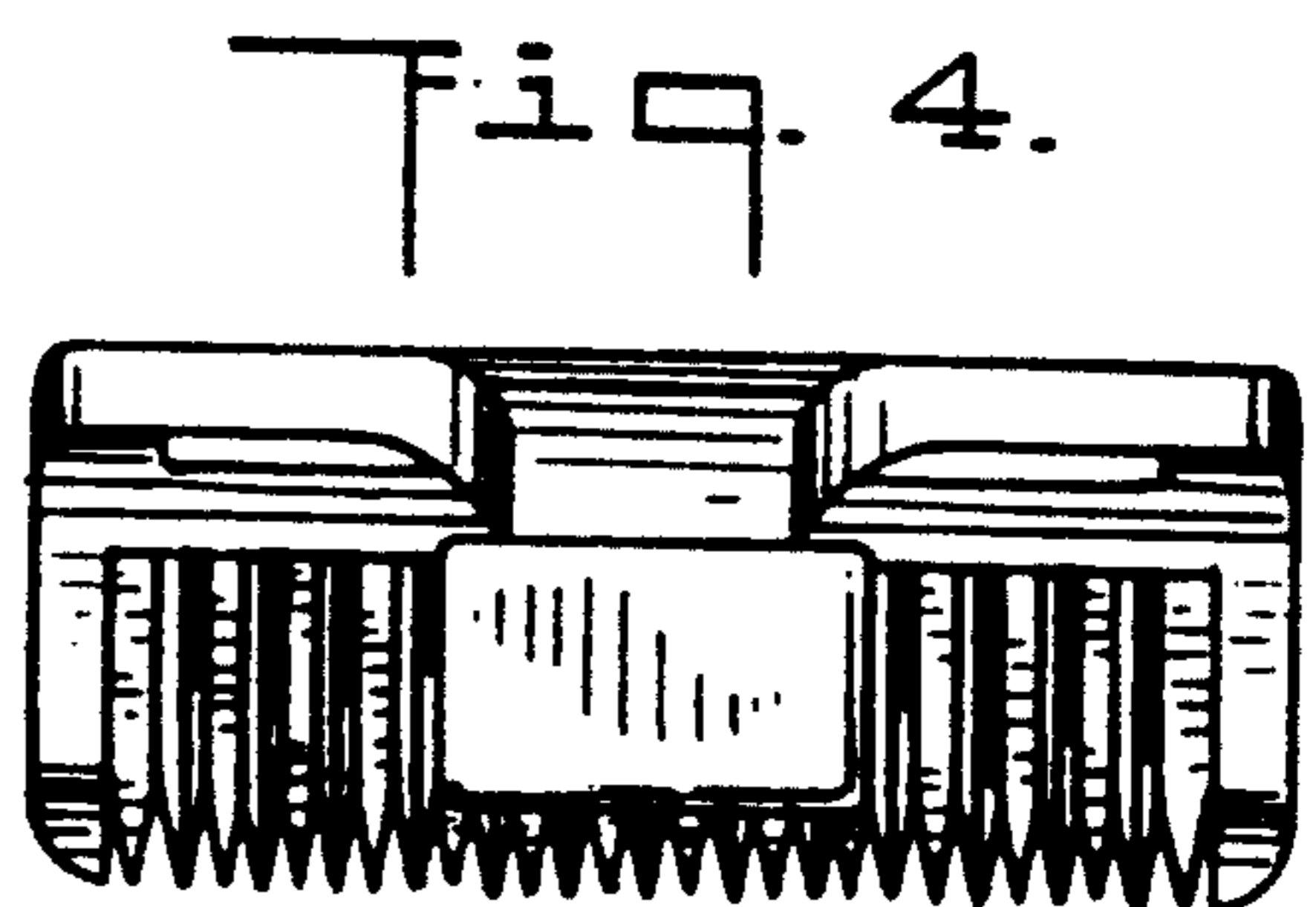


Fig. 5.

Fig. 5.

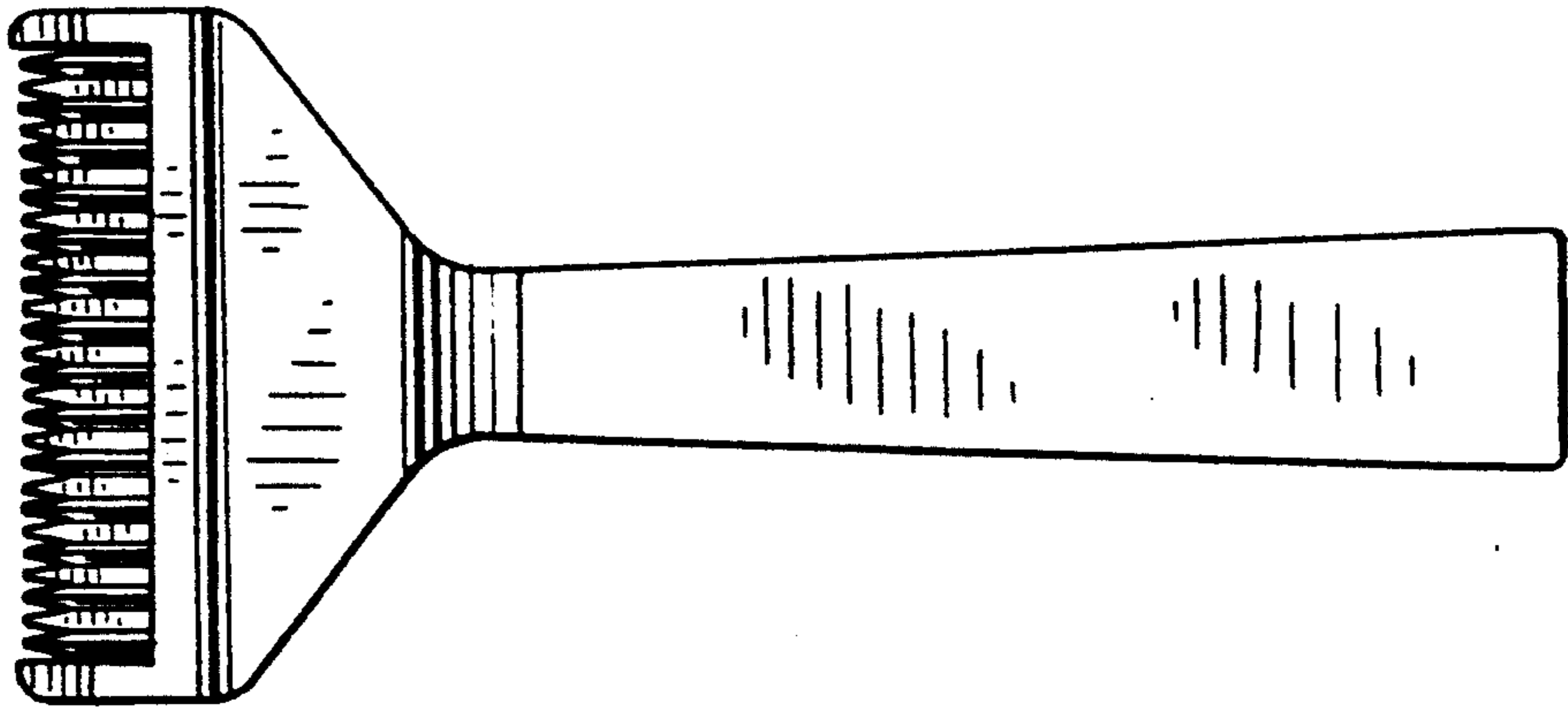


Fig. 6.

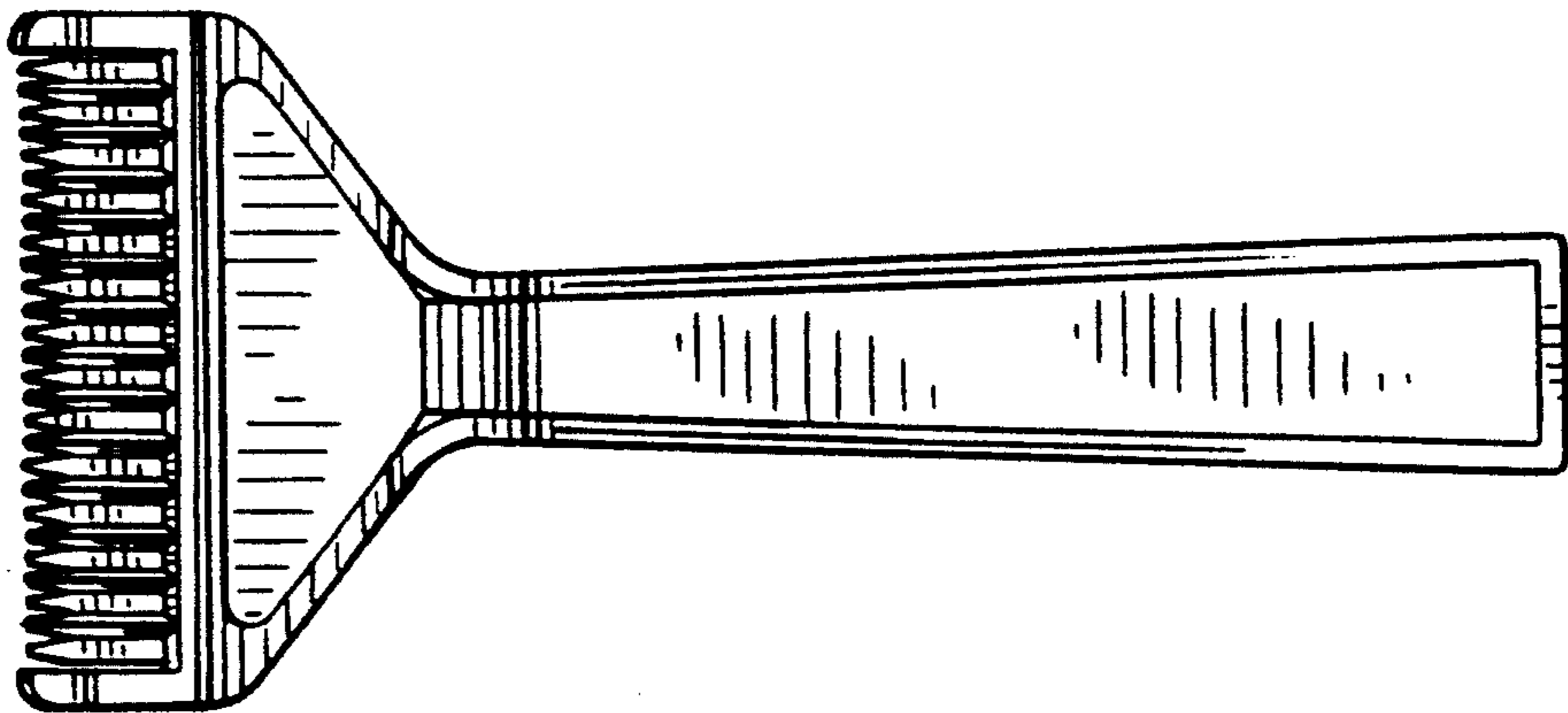


Fig. 7.

