



US00D336536S

United States Patent [19]

[11] Patent Number: **Des. 336,536**

Shaanan et al.

[45] Date of Patent: **** Jun. 15, 1993**

[54] **ADJUSTABLE FLOODLIGHT HOLDER**

D. 315,030 2/1991 Jacobs D26/63
4,281,370 7/1981 Masenheimer 362/419 X

[76] Inventors: **Gad Shaanan**, 49 Oakland Ave.,
Westmount, Quebec; **Serge Provost**,
3530 Toupin Ville, St. Laurant,
Quebec, both of Canada

OTHER PUBLICATIONS

Swivelier Adjustable Lighting Catalog, 1953, p. 28,
Adjustable socket & plate.

[**] Term: **14 Years**

Primary Examiner—Susan J. Lucas
Attorney, Agent, or Firm—Bereskin & Parr

[21] Appl. No.: **748,166**

[57] **CLAIM**

[22] Filed: **Aug. 20, 1991**

The ornamental design for an adjustable flood light
holder, as shown and described.

[30] **Foreign Application Priority Data**

DESCRIPTION

Jul. 19, 1991 [CA] Canada 1907-91-1
[52] U.S. Cl. **D26/140; D26/63**
[58] Field of Search D26/61, 62, 63, 65,
D26/138, 140; 362/362, 269, 275, 410, 413, 418,
419, 427

FIG. 1 is a perspective view from below and from one
side of an adjustable floodlight holder in one position
according to our new design;
FIG. 2 is a view from above and the opposite side to
that as shown in FIG. 1;
FIG. 3 is a side view of an adjustable floodlight holder,
according to our design, in a second position; and,
FIG. 4 is a side view opposite to that as shown in FIG.
3.

[56] **References Cited**

U.S. PATENT DOCUMENTS

D. 234,710 4/1975 Beeren D26/63
D. 254,694 4/1980 Drost et al. D26/63

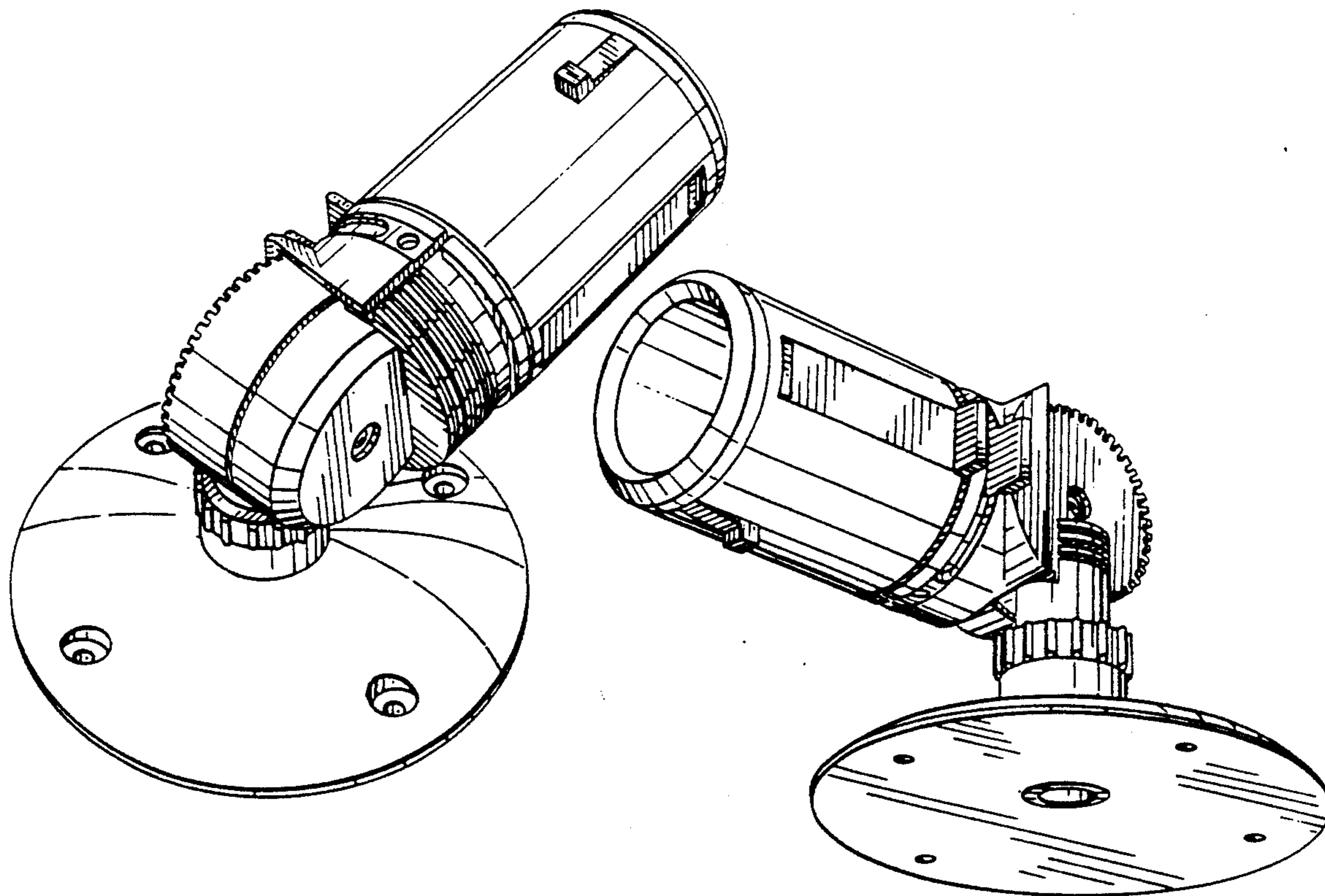


FIG. 1

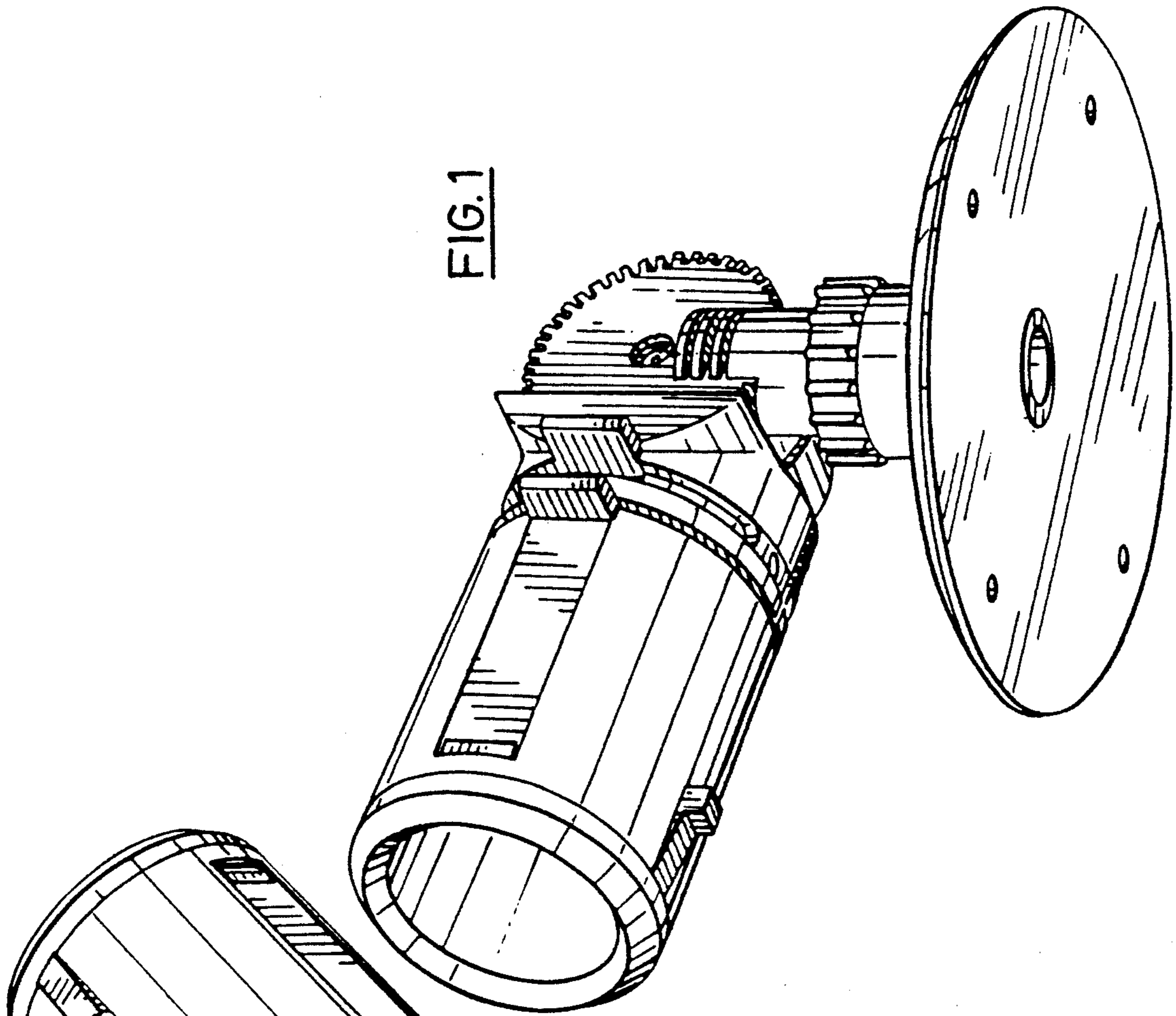


FIG. 2

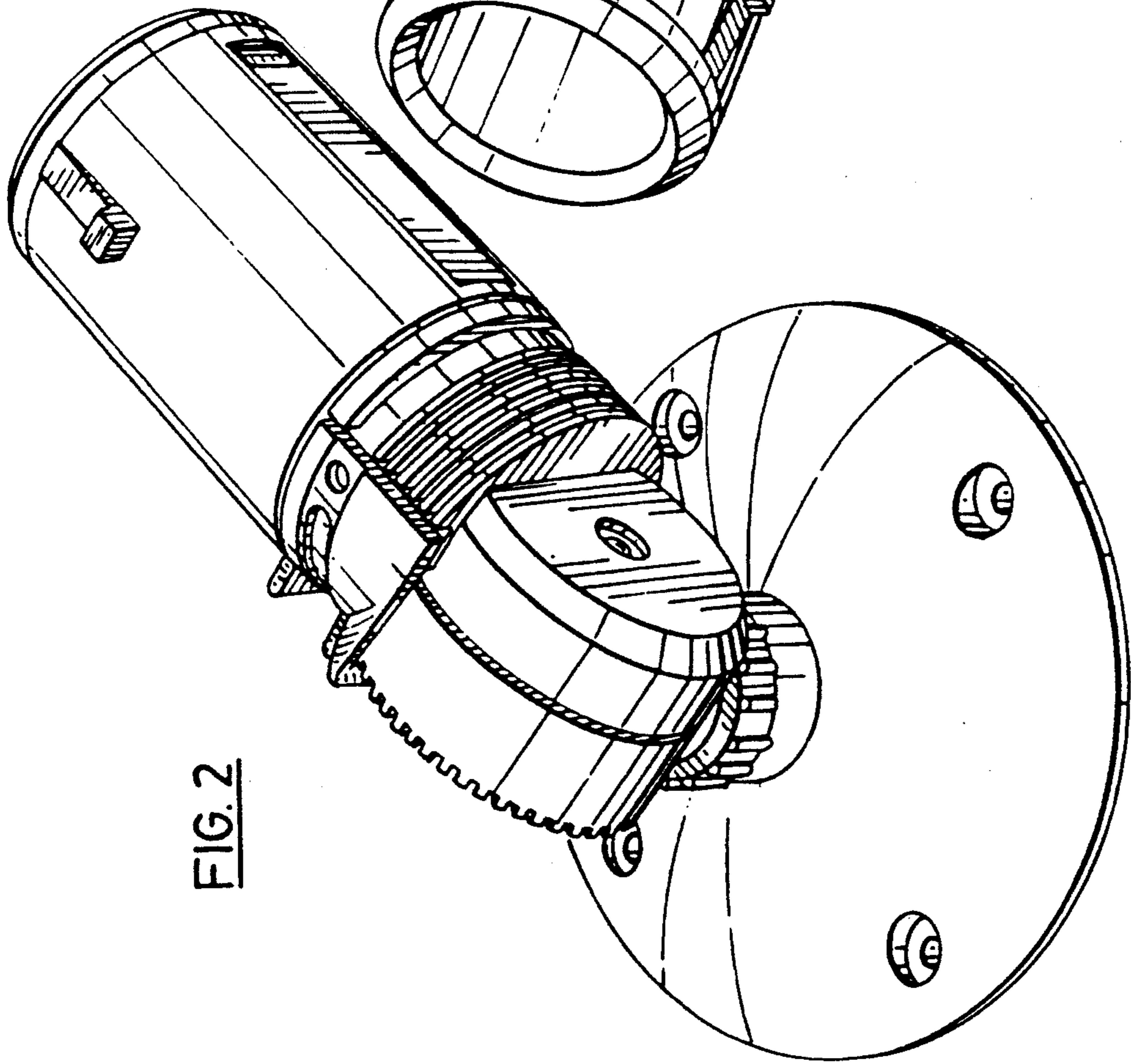


FIG. 4

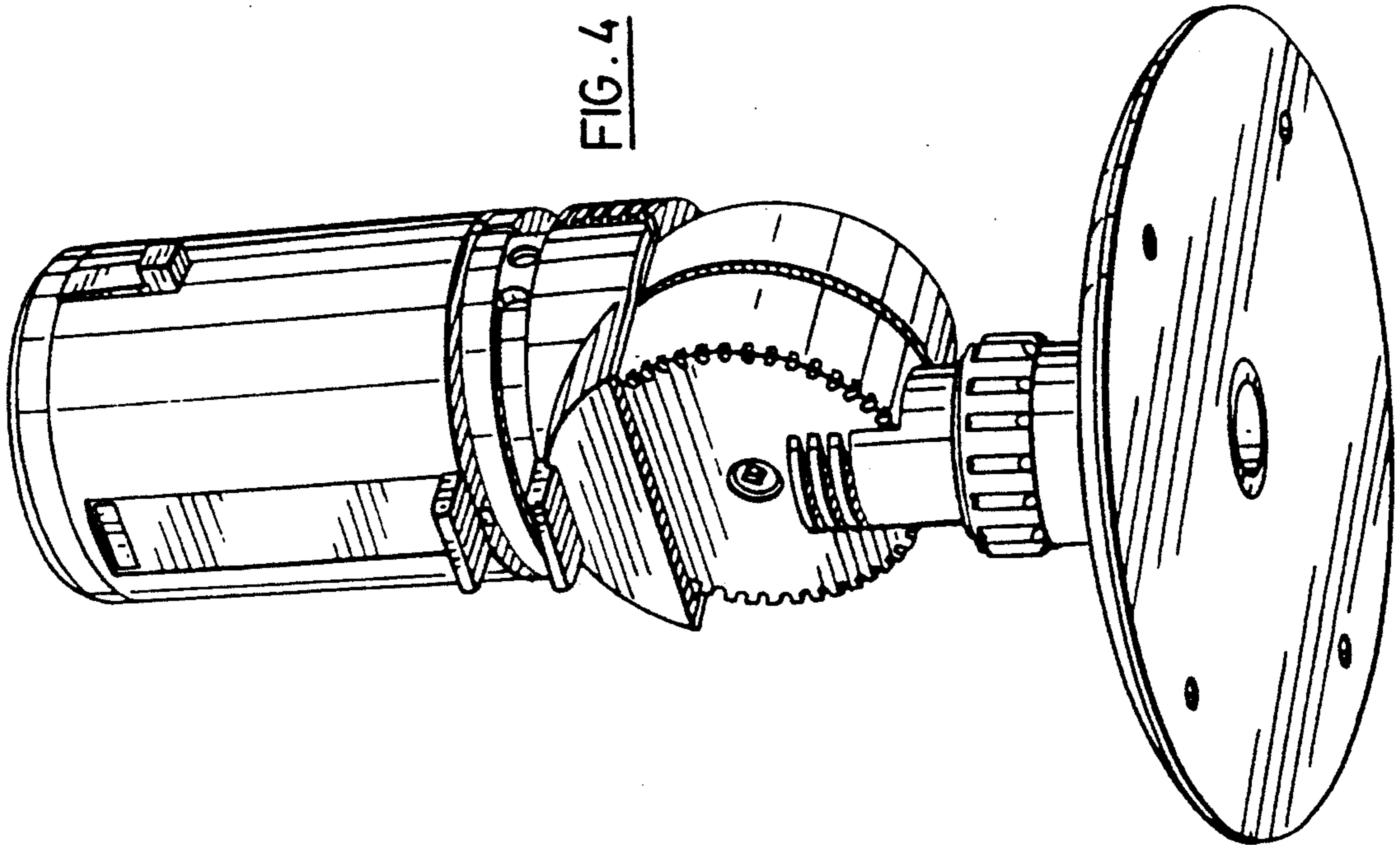


FIG. 3

