



US00D336534S

United States Patent [19]

[11] Patent Number: **Des. 336,534**

Lin

[45] Date of Patent: **** Jun. 15, 1993**

[54] **LAMP HEAD**

[75] Inventor: **Feng-Jye Lin, Taipei, Taiwan**

[73] Assignee: **Shine Electric Industrial Co. Ltd., Taipei, Taiwan**

[**] Term: **14 Years**

[21] Appl. No.: **909,643**

[22] Filed: **Jul. 7, 1992**

D. 245,874	9/1977	Lap	48/20
D. 284,108	6/1986	Bonetto	26/65
D. 300,876	4/1989	Sakai	26/63
D. 305,155	12/1989	DeLucchi	D26/65
D. 310,727	9/1990	Lu	26/63
D. 310,886	9/1990	Gismondi et al.	26/65

OTHER PUBLICATIONS

Koch & Lowy Inc. Card, May 1984, Lamp Shade.

Primary Examiner—Susan J. Lucas
Attorney, Agent, or Firm—Danton K. Mak

Related U.S. Application Data

[62] Division of Ser. No. 639,145, Dec. 13, 1990, Pat. No. Des. 330,266.

[52] U.S. Cl. **D26/63; D26/128**

[58] Field of Search **D26/60-66, D26/118, 128, 135; 362/269, 275, 285, 401, 402, 413, 418, 419, 427, 347, 341, 350**

[57] CLAIM

The ornamental design for a lamp head, as shown and described.

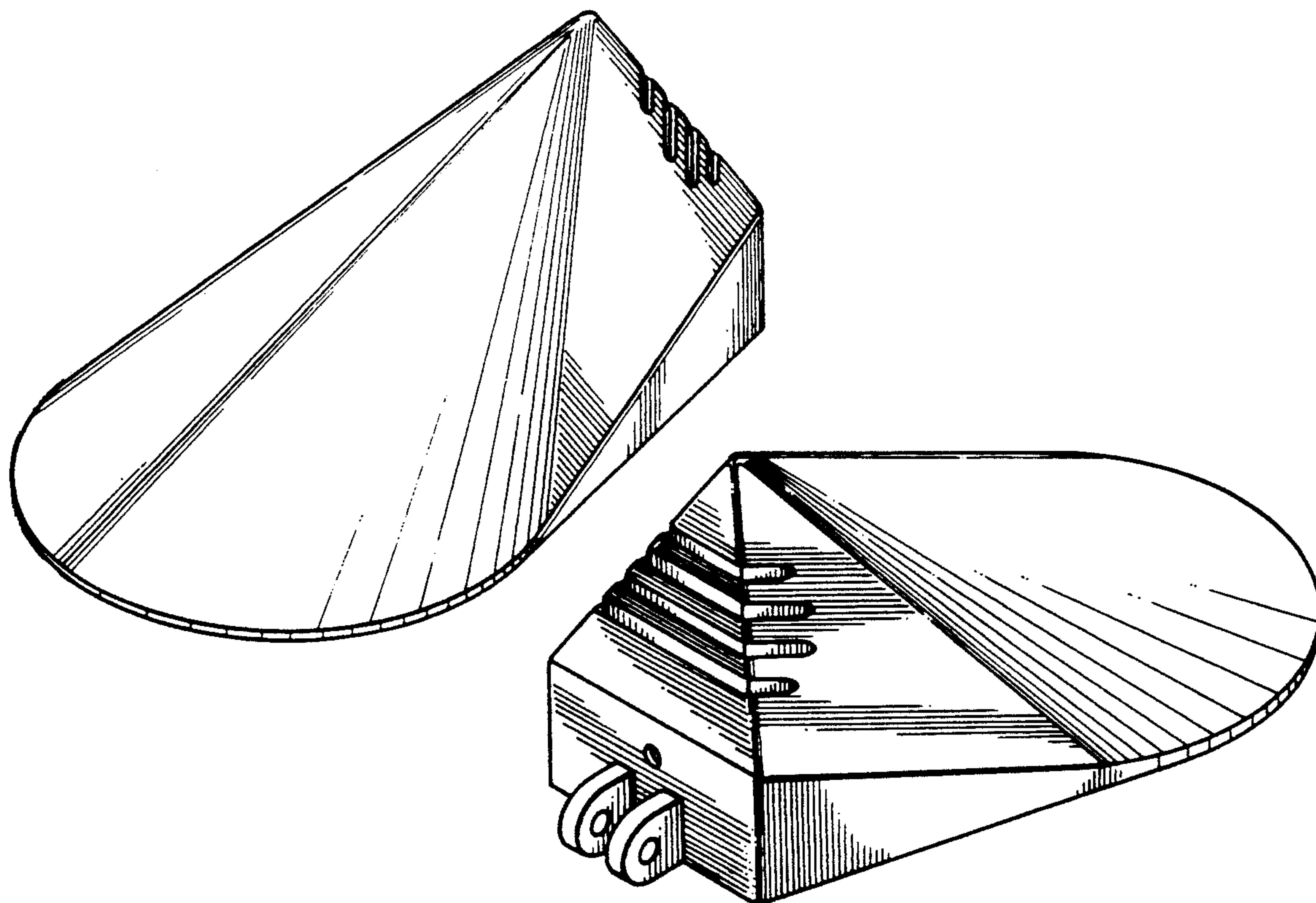
DESCRIPTION

FIG. 1 is a front, right side perspective view of a lamp head showing my new design;
FIG. 2 is a rear, right side perspective view thereof;
FIG. 3 is a right side elevational view thereof;
FIG. 4 is a top plan view thereof;
FIG. 5 is a bottom plan view thereof;
FIG. 6 is a front elevational view thereof; and,
FIG. 7 is a rear elevational view thereof.

[56] References Cited

U.S. PATENT DOCUMENTS

- D. 201,765 7/1965 Mox .
- D. 205,084 6/1966 Izzi .
- D. 207,966 6/1967 Perbal .



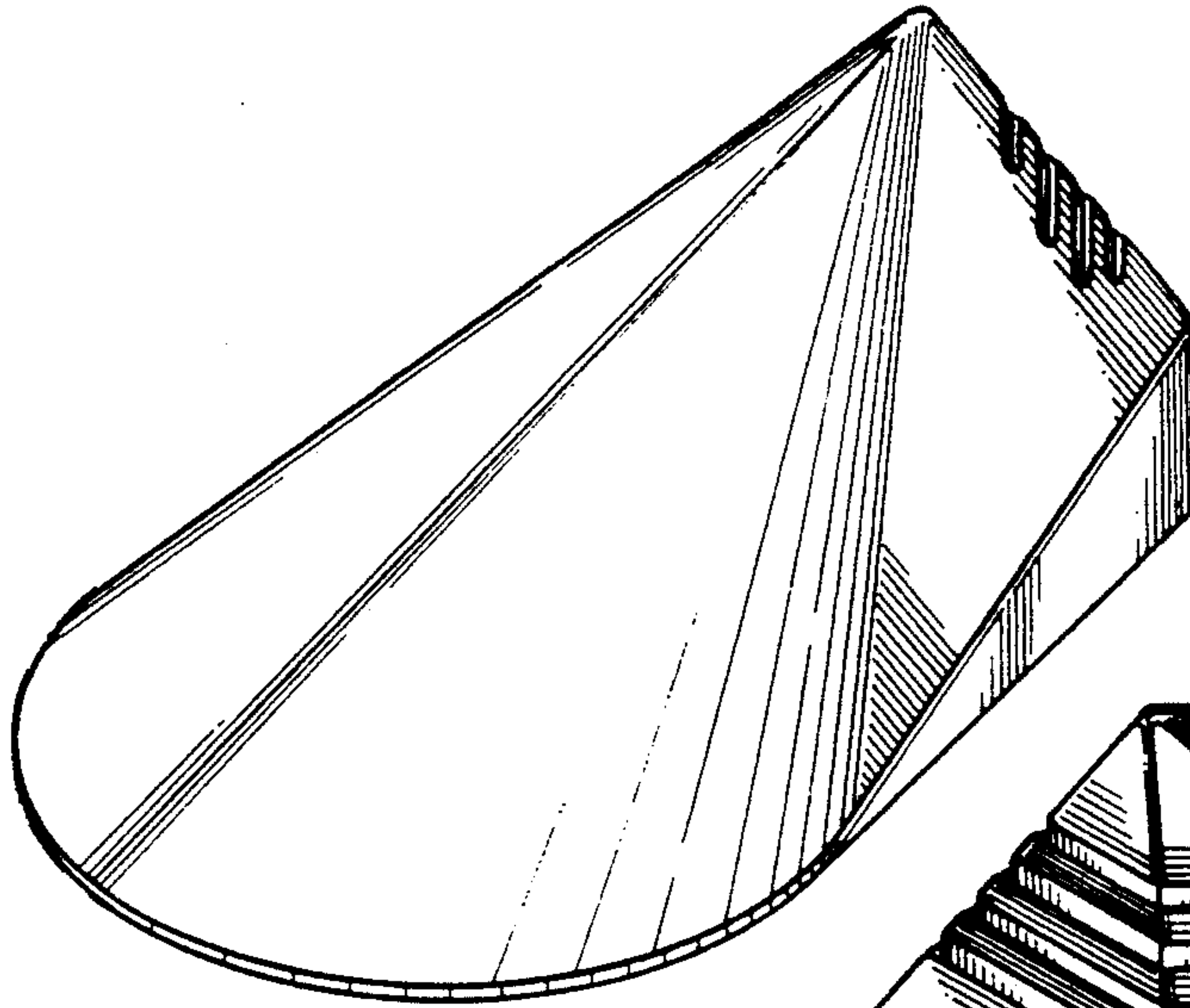


FIG. 1.

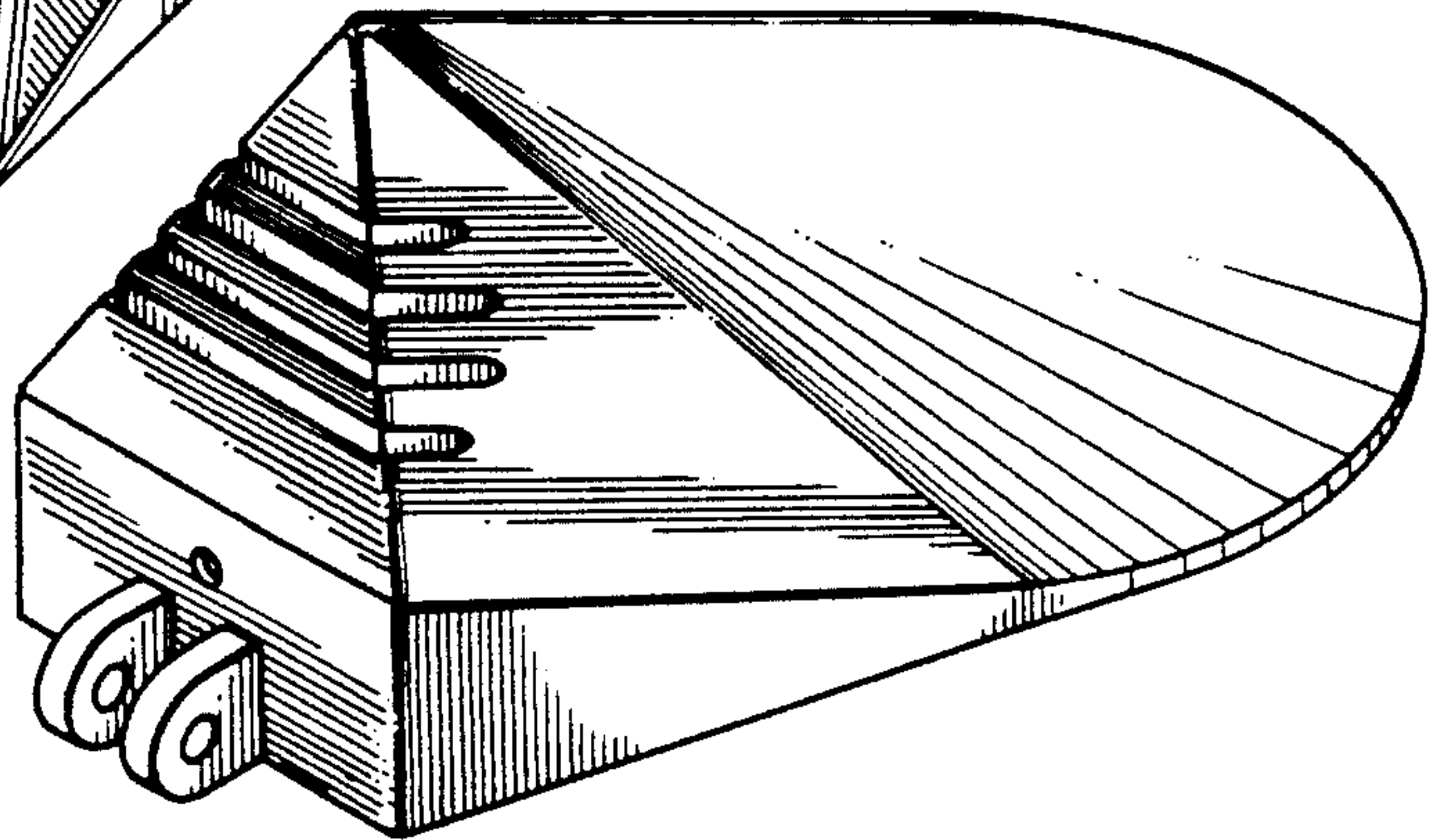


FIG. 2.

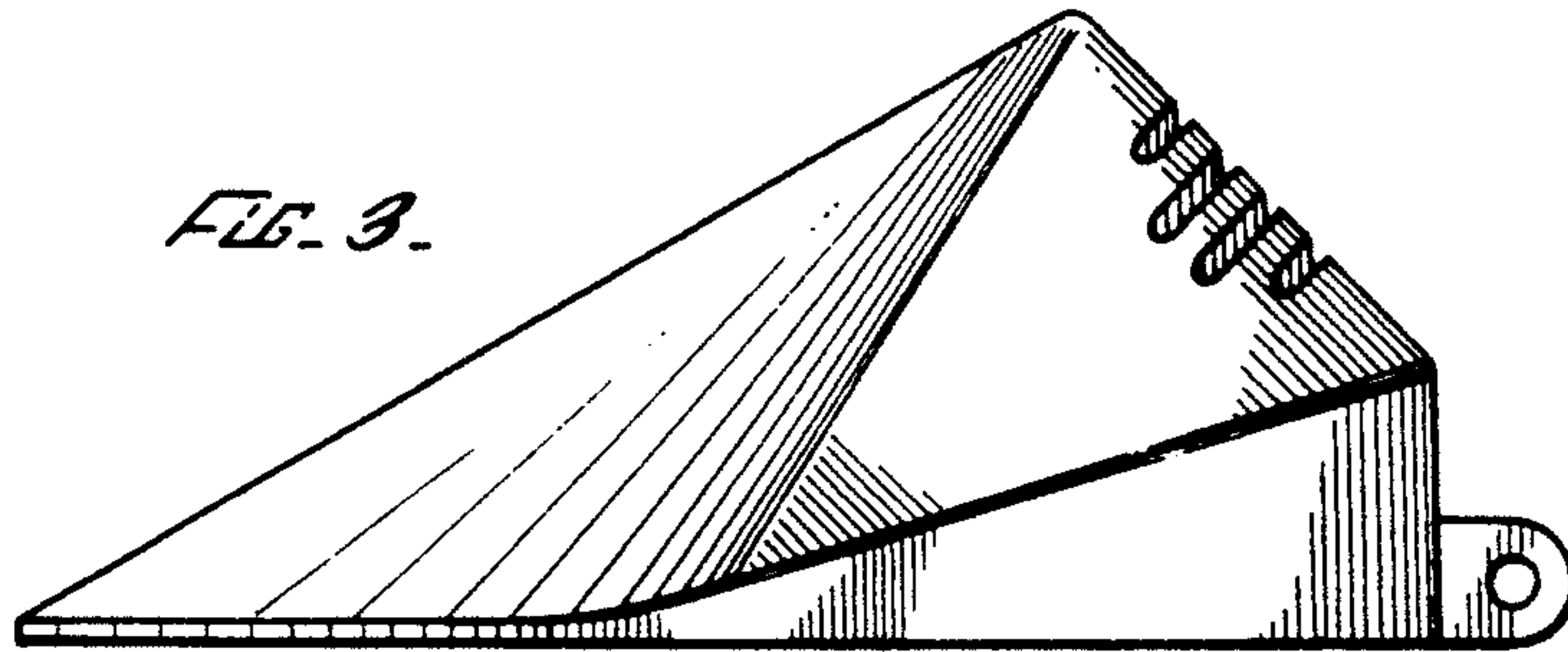


FIG. 3.

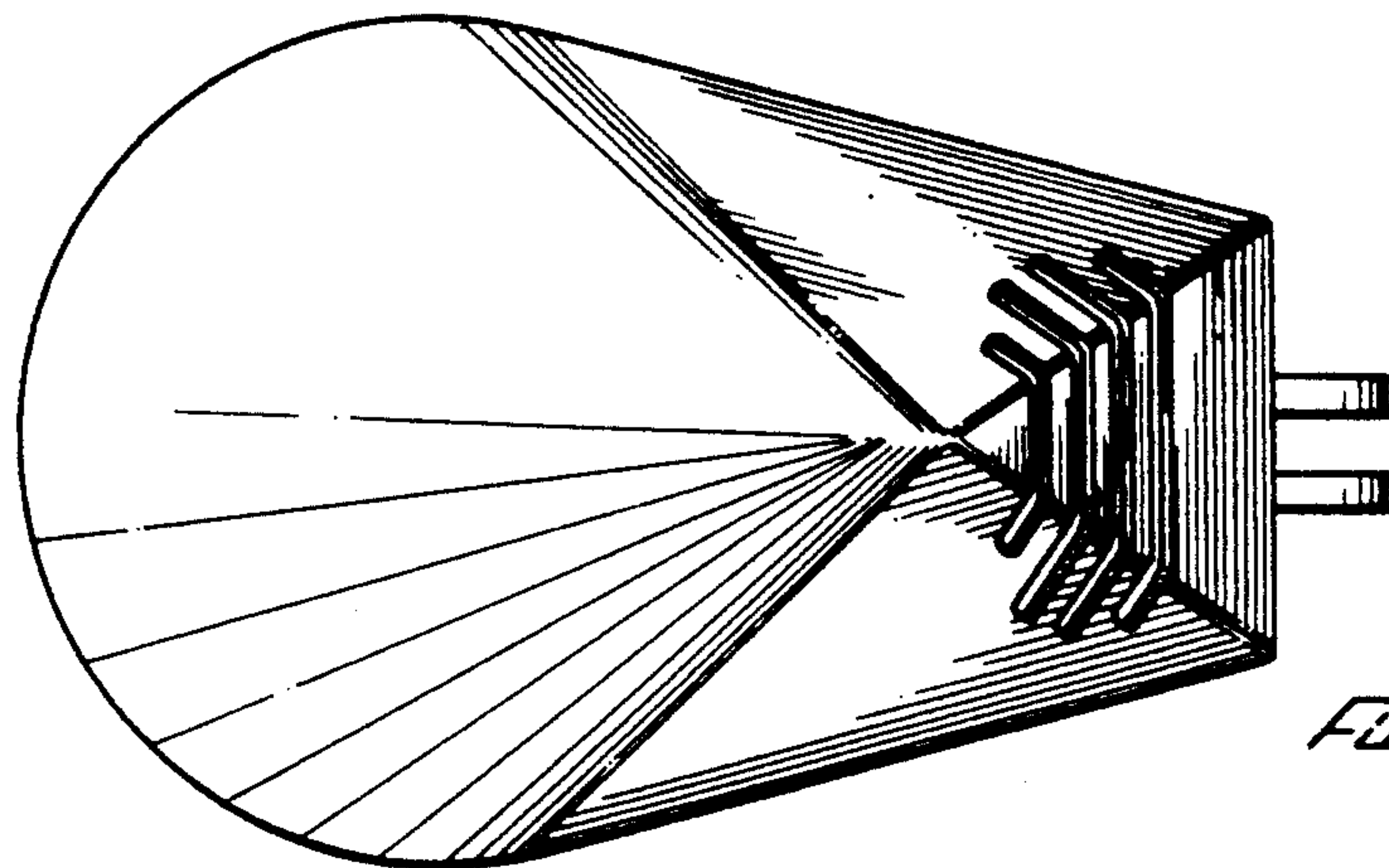


FIG. 4.

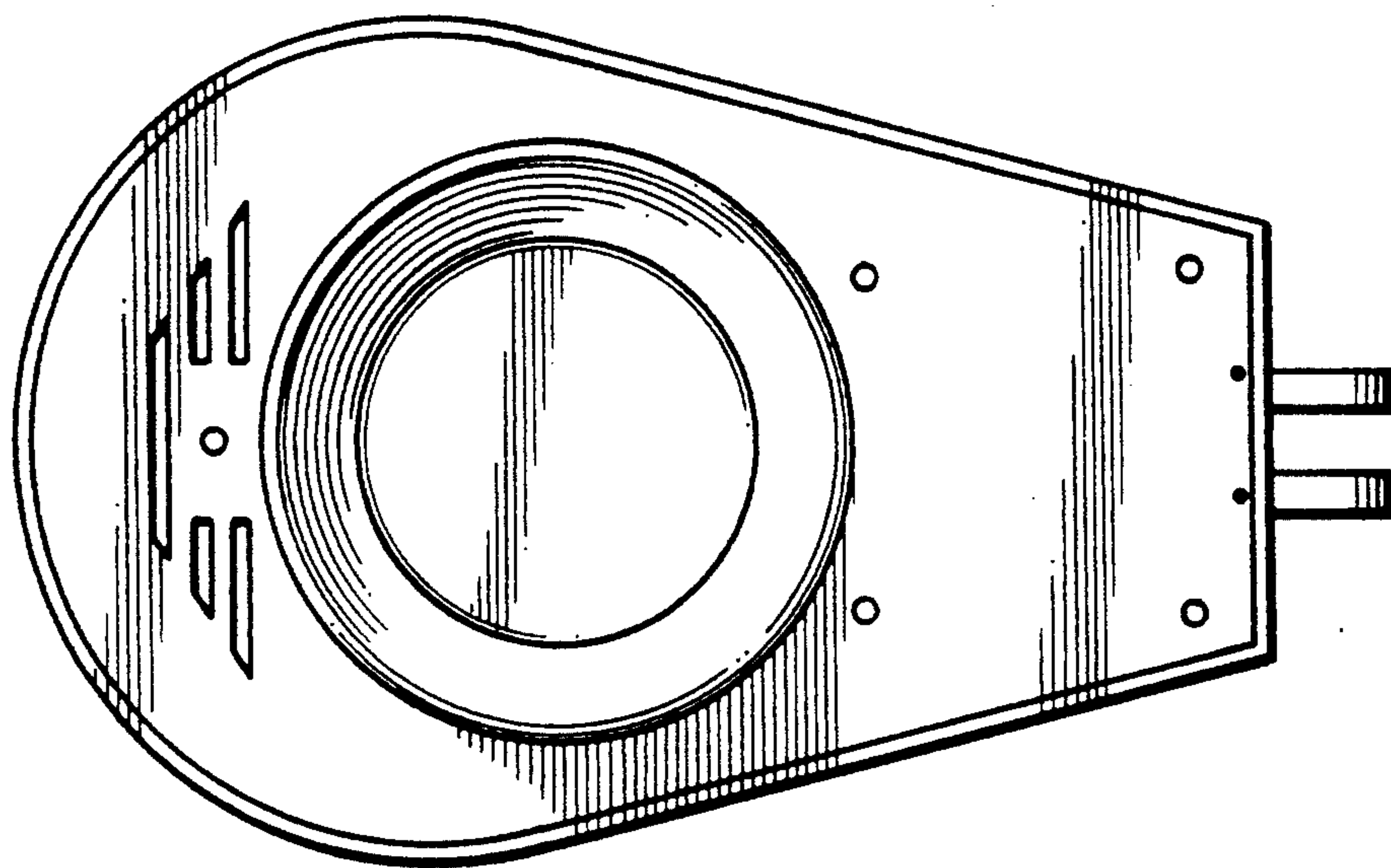


FIG. 5.

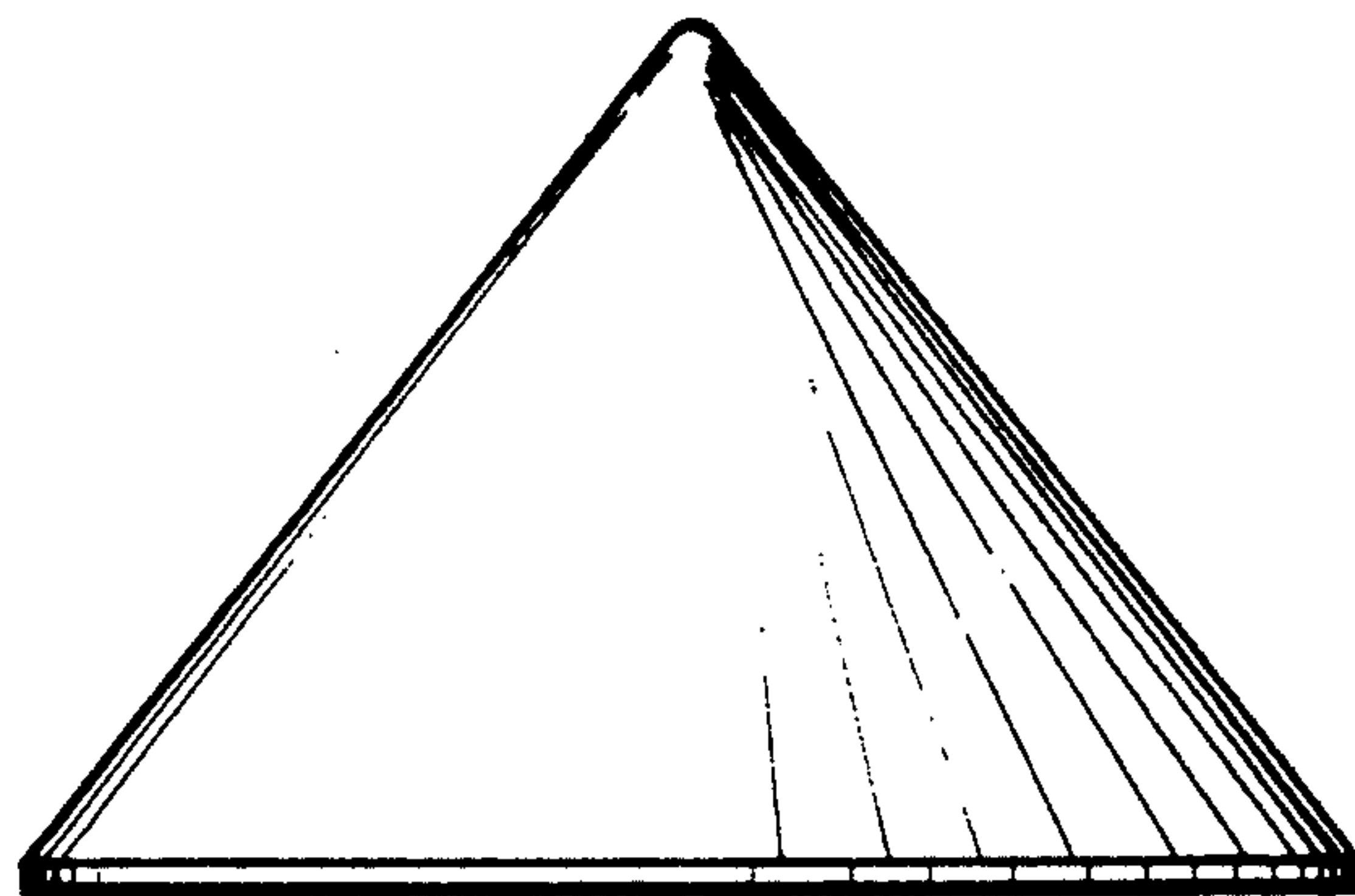


FIG. 6.

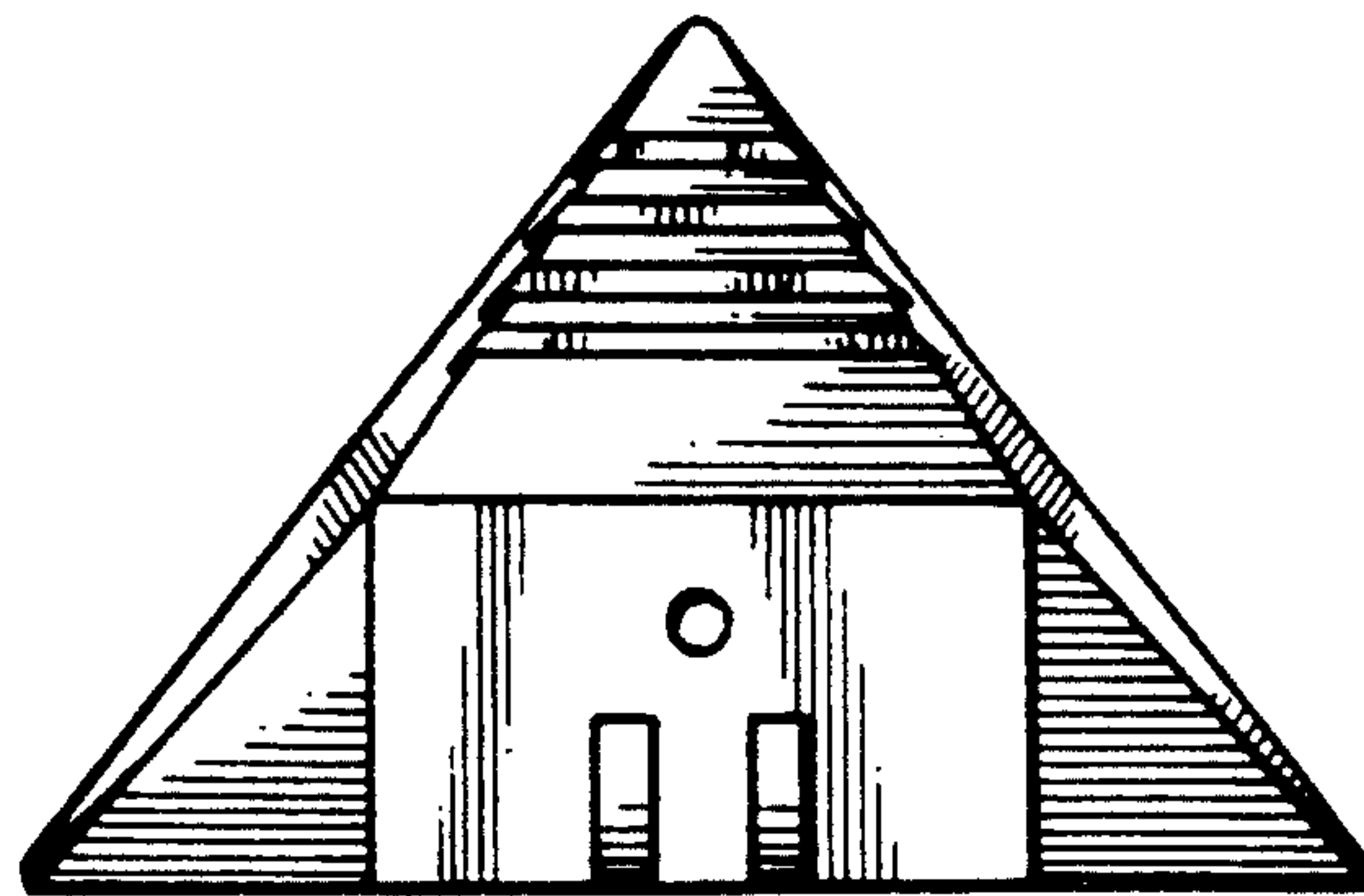


FIG. 7.