



US00D336533S

# United States Patent [19] Hout

[11] Patent Number: **Des. 336,533**

[45] Date of Patent: **\*\* Jun. 15, 1993**

[54] **STAGE SPOTLIGHT**

[76] Inventor: **Neal A. Hout**, 16696 S.E. Woodland Hts., Amity, Oreg. 97101

[\*\*] Term: **14 Years**

[21] Appl. No.: **781,274**

[22] Filed: **Oct. 23, 1991**

[52] U.S. Cl. .... **D26/63**

[58] Field of Search ..... **D26/61, 62, 63, 65; 362/362, 431, 269, 275, 371, 418, 419, 427**

[56] **References Cited**

**U.S. PATENT DOCUMENTS**

D. 267,559	11/1984	Krokaugger	.....	D26/63
2,861,173	11/1958	Nordquist	.	
3,040,993	6/1962	Schultz	.....	362/269
3,179,791	4/1965	Mole	.	
4,814,956	3/1989	Kano	.	

**OTHER PUBLICATIONS**

Capri Low Voltage Lighting Catalog, ©1981, p. 7, Framing projector #926.  
Stage Lighting Distributors Theatrical Lighting Equip-

ment Catalog, ©1984, front cover, spotlight (bottom, left).

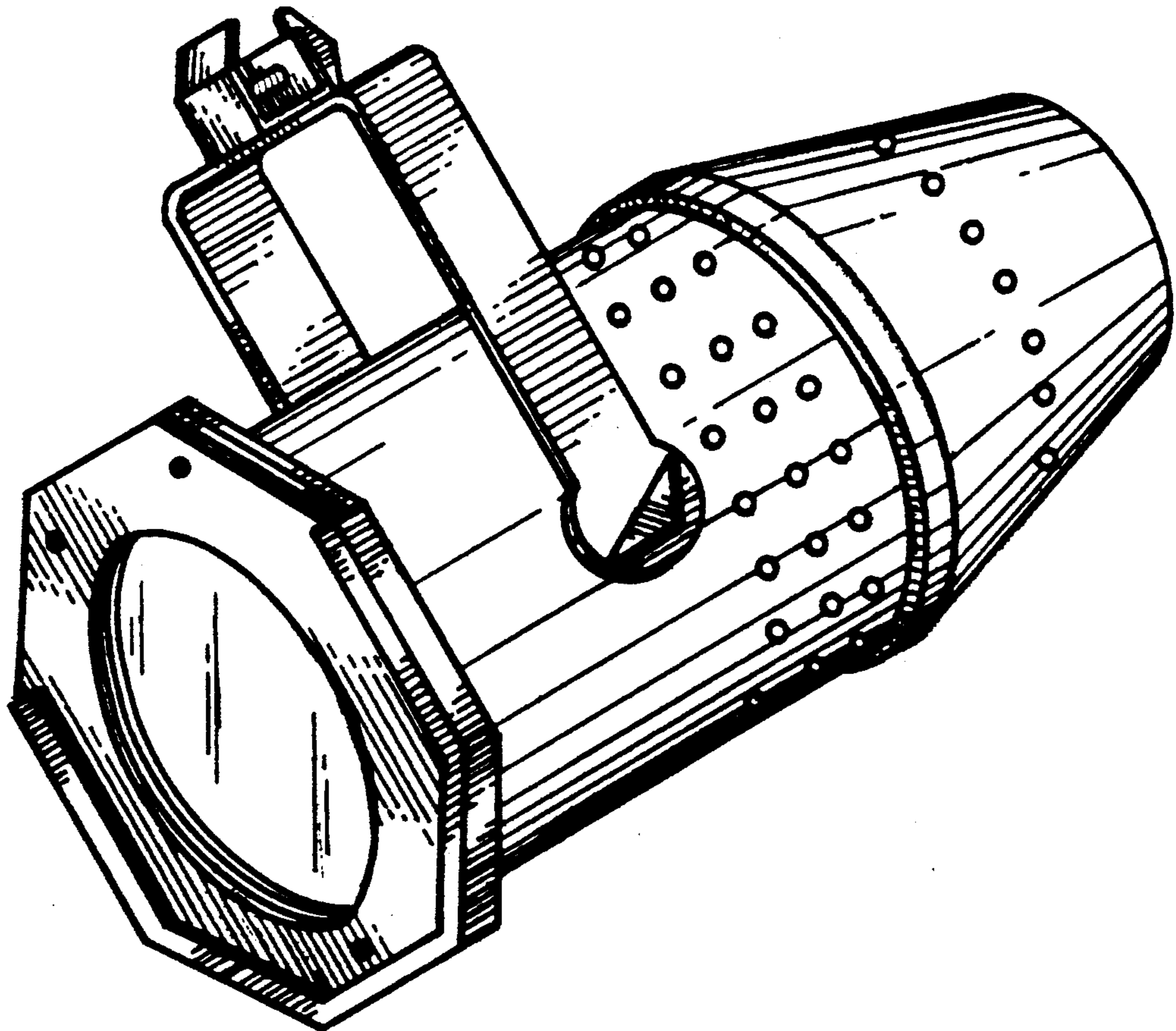
*Primary Examiner*—Susan J. Lucas  
*Attorney, Agent, or Firm*—Terry M. Gernstein

[57] **CLAIM**

The ornamental design for a stage spotlight, as shown and described.

**DESCRIPTION**

FIG. 1 is a perspective view of the stage spotlight embodying the design of the present invention;  
FIG. 2 is front elevational view thereof on an enlarged scale;  
FIG. 3 is a rear elevational view thereof on an enlarged scale;  
FIG. 4 is a side elevational view thereof on an enlarged scale, the side opposite being a mirror image;  
FIG. 5 is a top plan view thereof on an enlarged scale; and,  
FIG. 6 is a bottom plan view thereof on an enlarged scale.



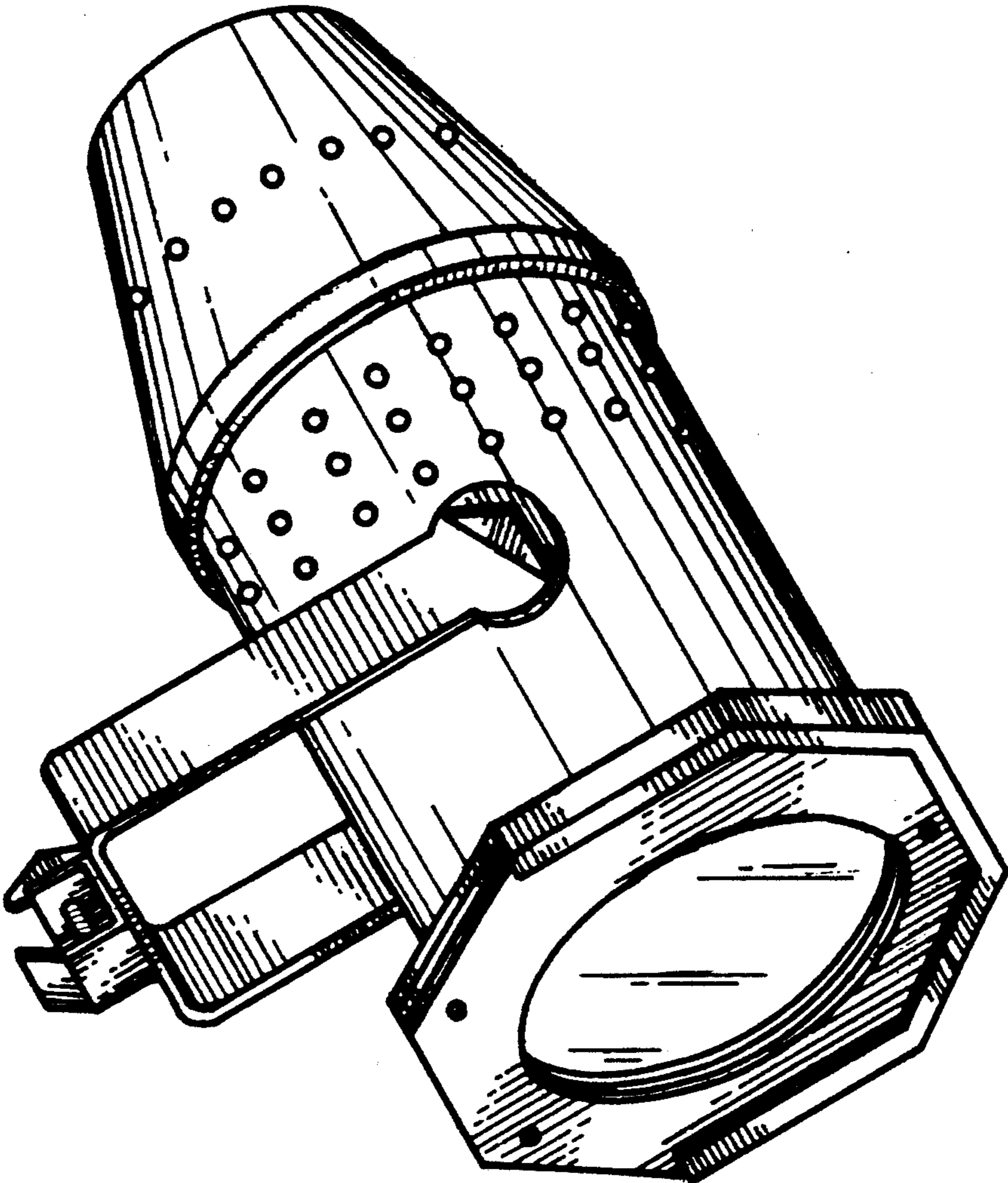


FIG.1

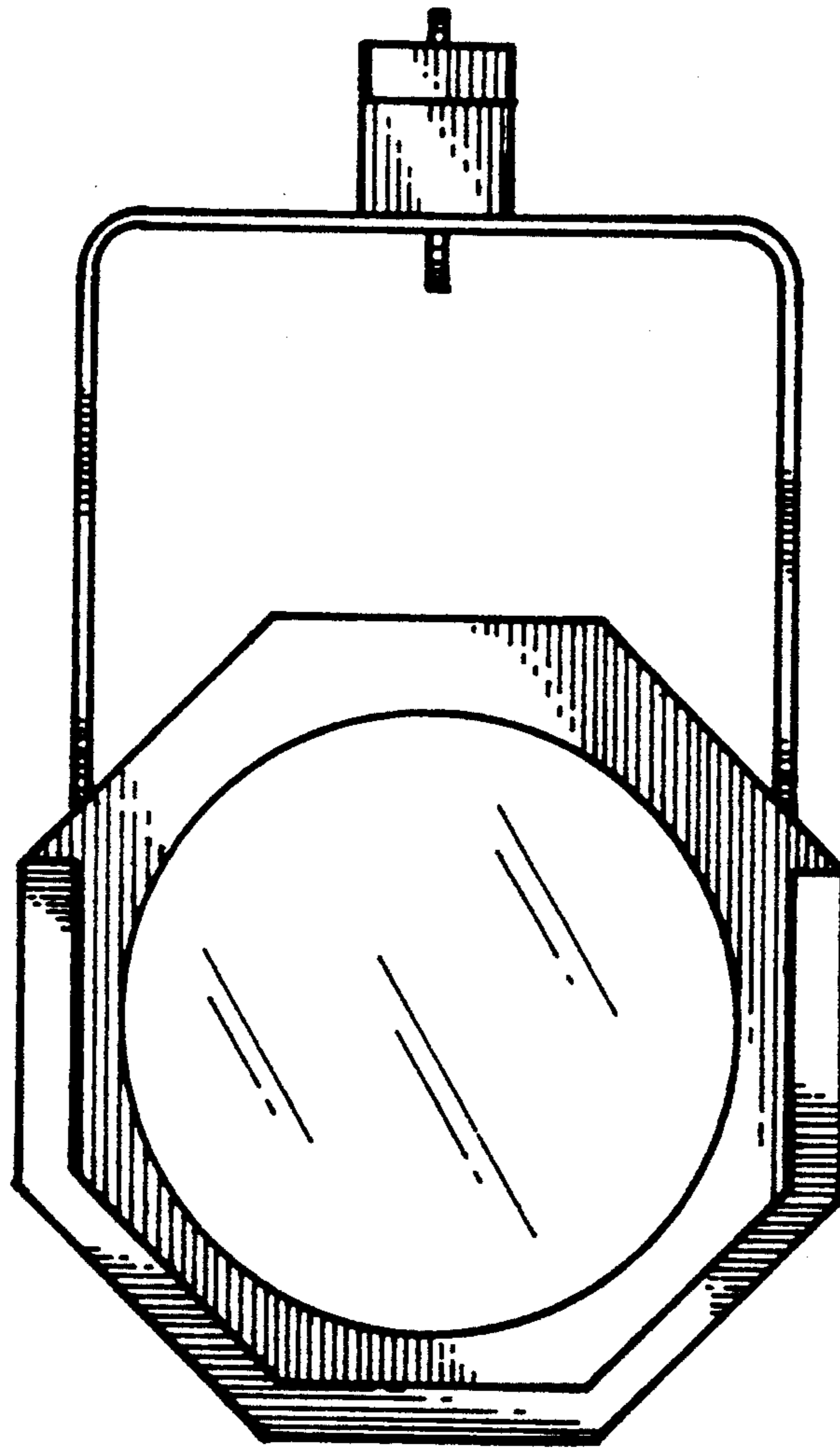


FIG. 2

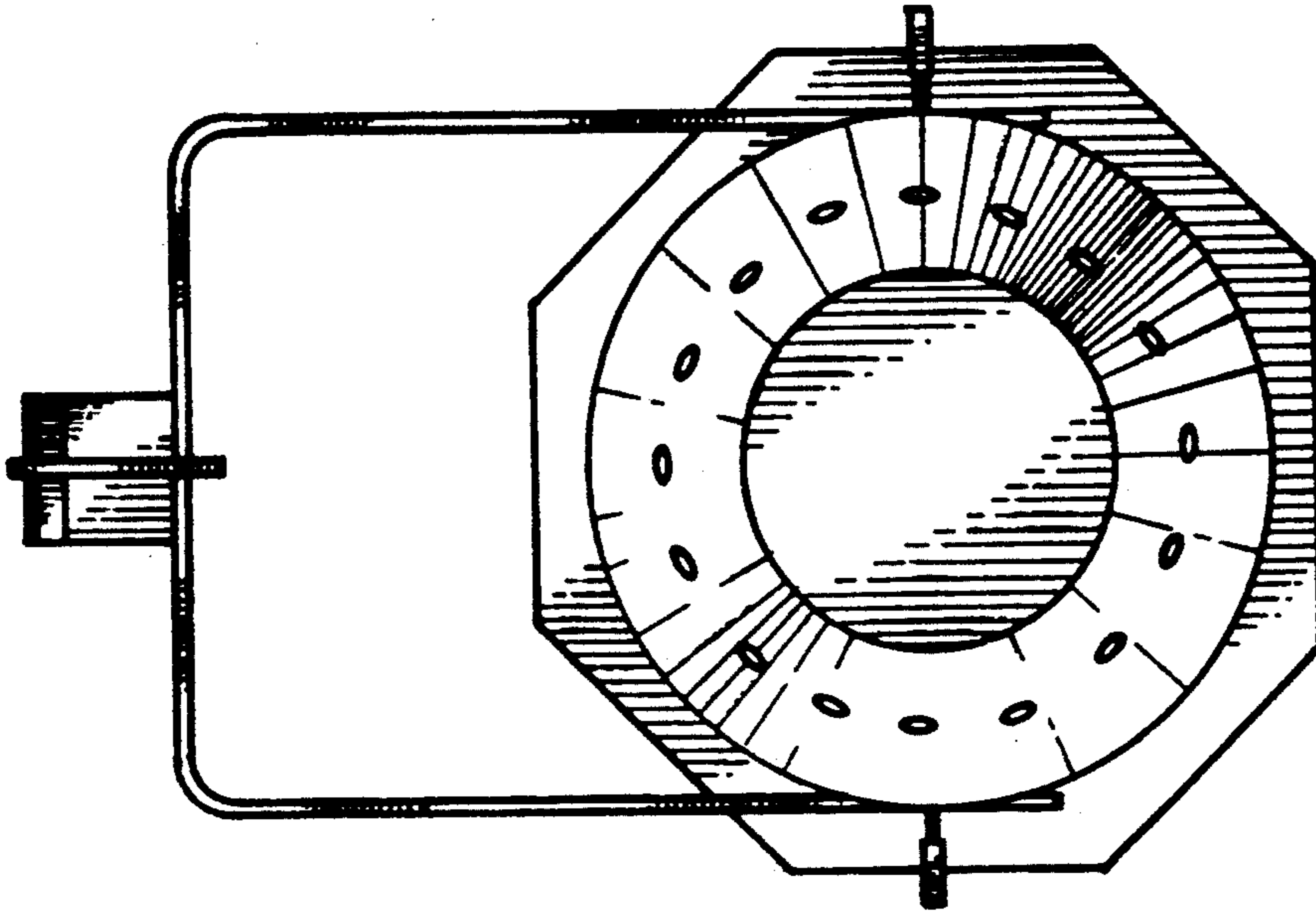


FIG. 3

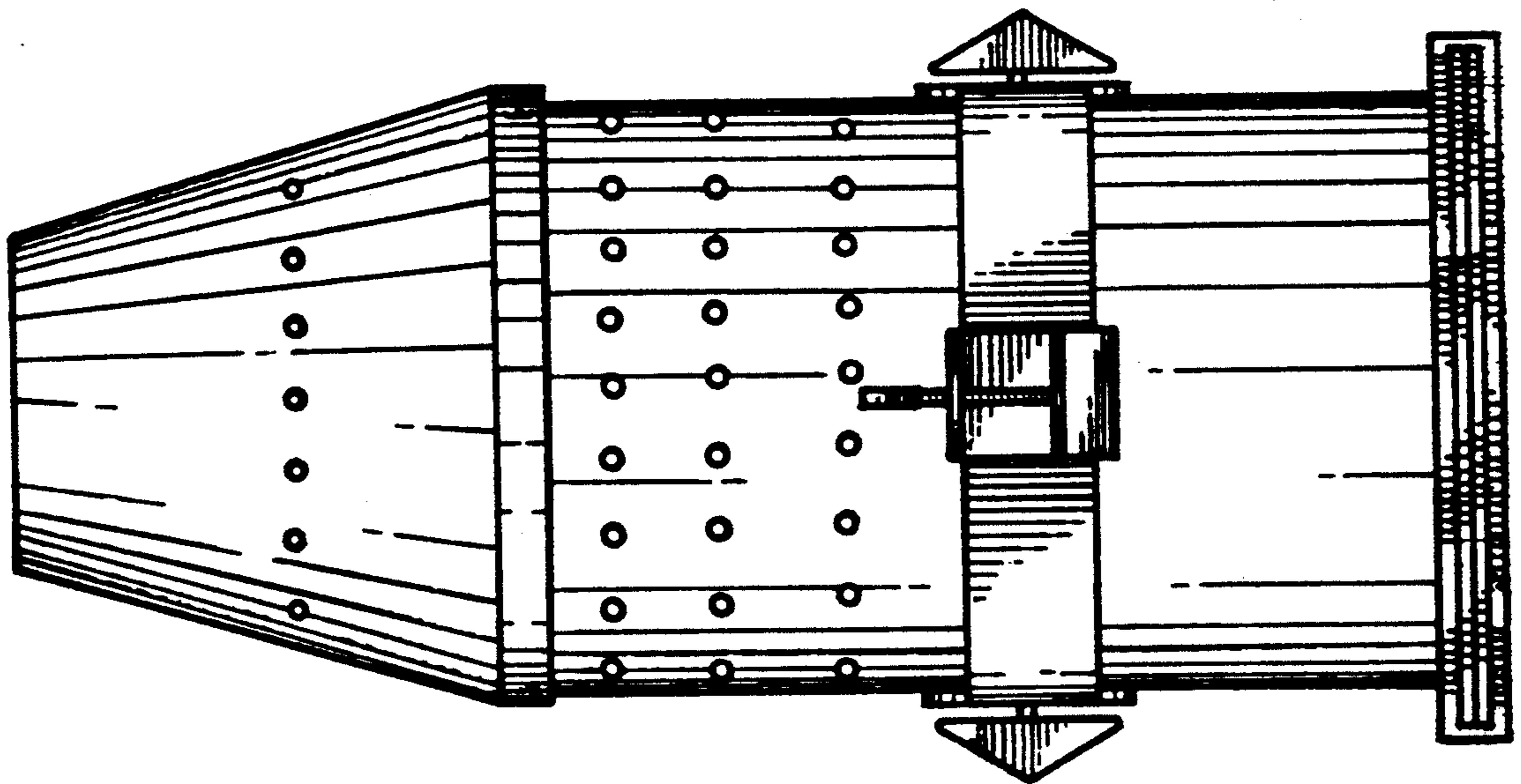


FIG. 5

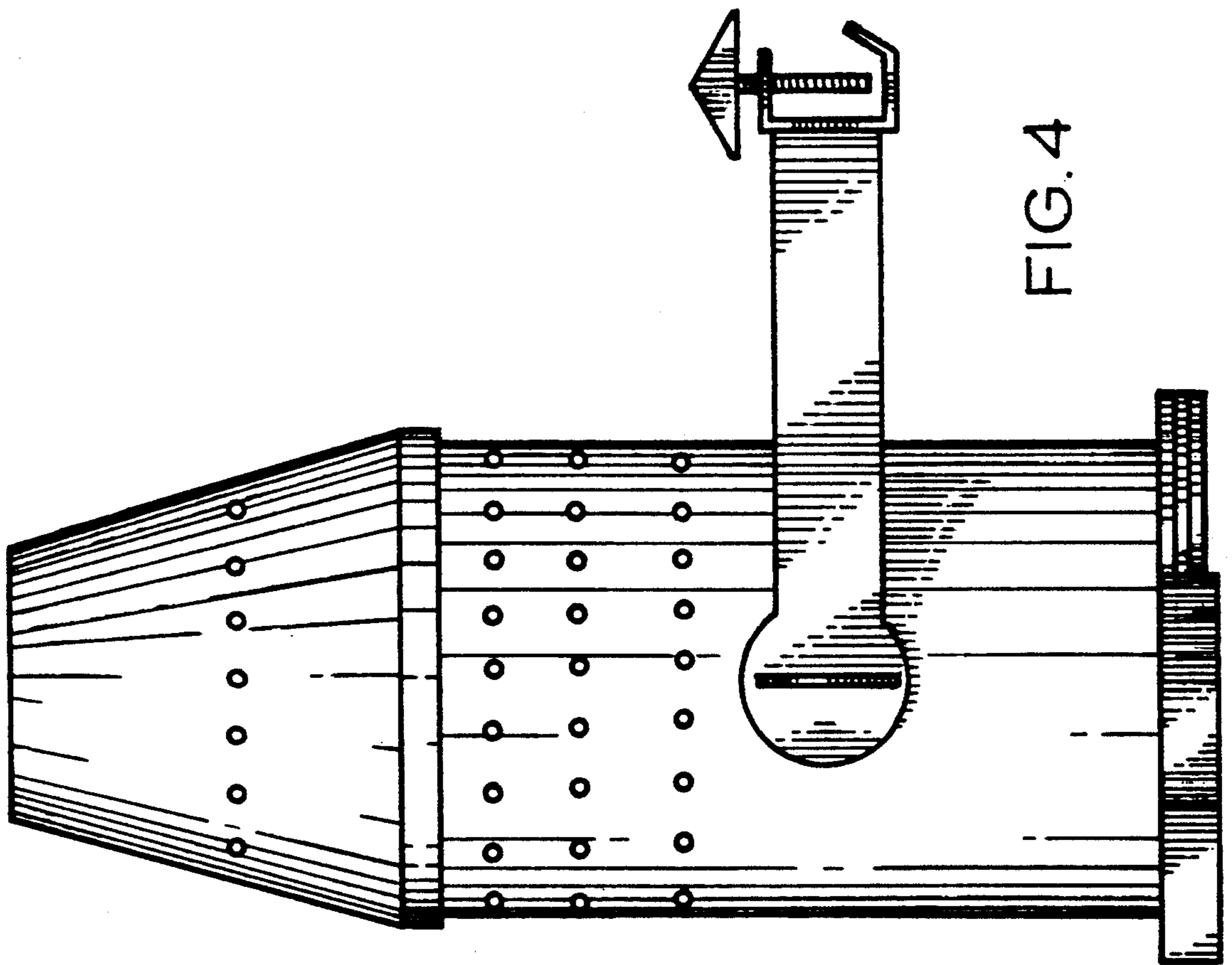


FIG. 4

FIG. 6

