



US00D336529S

# United States Patent [19]

[11] Patent Number: **Des. 336,529**

**Murata**

[45] Date of Patent: **\*\* Jun. 15, 1993**

[54] **DECORATIVE LAMP FOR A LIGHT STRING**

4,783,726 11/1988 Wang ..... 362/806 X

[75] Inventor: **Kazuaki Murata, Tokyo, Japan**

*Primary Examiner*—Susan J. Lucas

*Attorney, Agent, or Firm*—Spencer, Frank & Schneider

[73] Assignee: **Moriyama Sangyo Kabushiki Kaisha, Tokyo, Japan**

### [57] CLAIM

[\*\*] Term: **14 Years**

The ornamental design for a decorative lamp for a light string, as shown and described.

[21] Appl. No.: **731,019**

### DESCRIPTION

[22] Filed: **Jul. 16, 1991**

[52] U.S. Cl. .... **D26/25**

[58] Field of Search ..... D26/25, 1, 2; 362/227, 362/231, 236, 237, 241, 242, 249, 250, 251, 252, 806, 240

FIG. 1 is a top, left, front perspective view of a decorative lamp for a light string showing my new design; FIG. 2 is a front elevational view thereof; FIG. 3 is a rear elevational view thereof; FIG. 4 is a left hand side elevational view thereof; FIG. 5 is a right hand side elevational view thereof; FIG. 6 is a top plan view thereof; FIG. 7 is a bottom plan view thereof; and, FIG. 8 is a top, front perspective view thereof on a reduced scale, the light string being shown in broken lines for illustrative purposes only.

### [56] References Cited

#### U.S. PATENT DOCUMENTS

1,977,126 10/1934 Graf ..... 362/252 X  
4,280,171 7/1981 Huang ..... 362/240

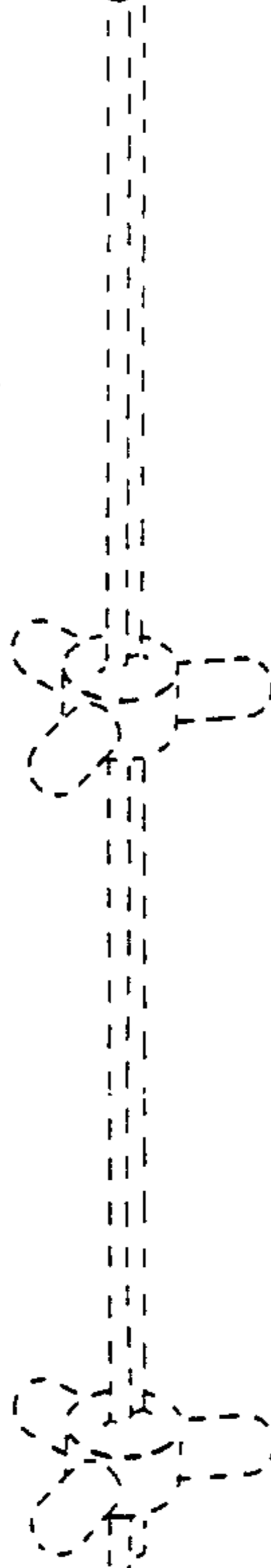
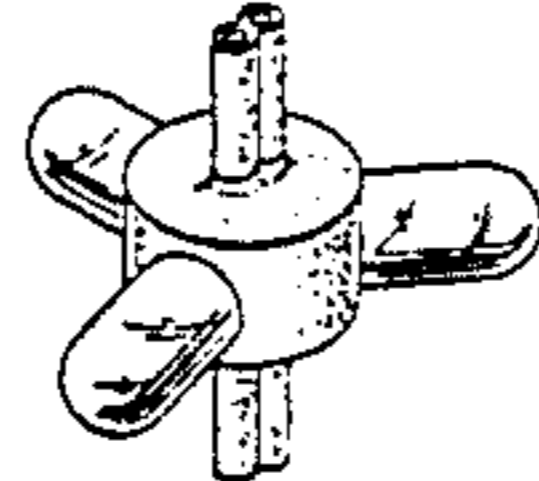
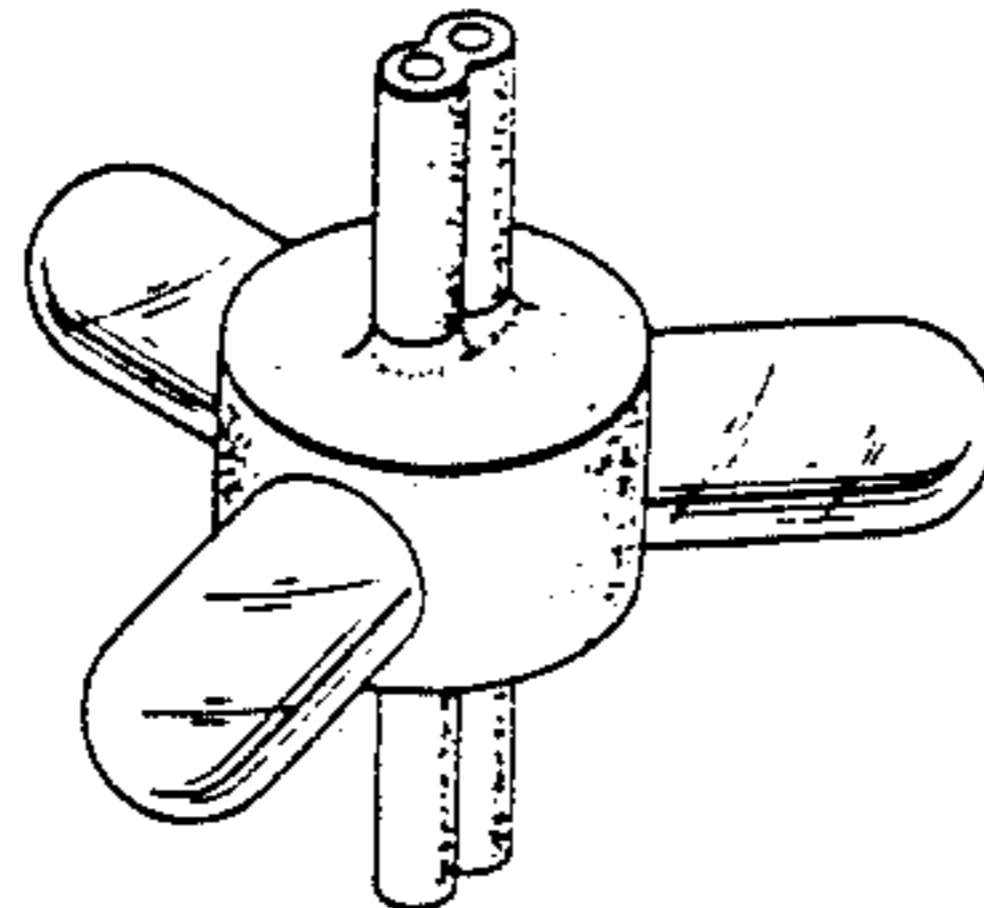


FIG. 1

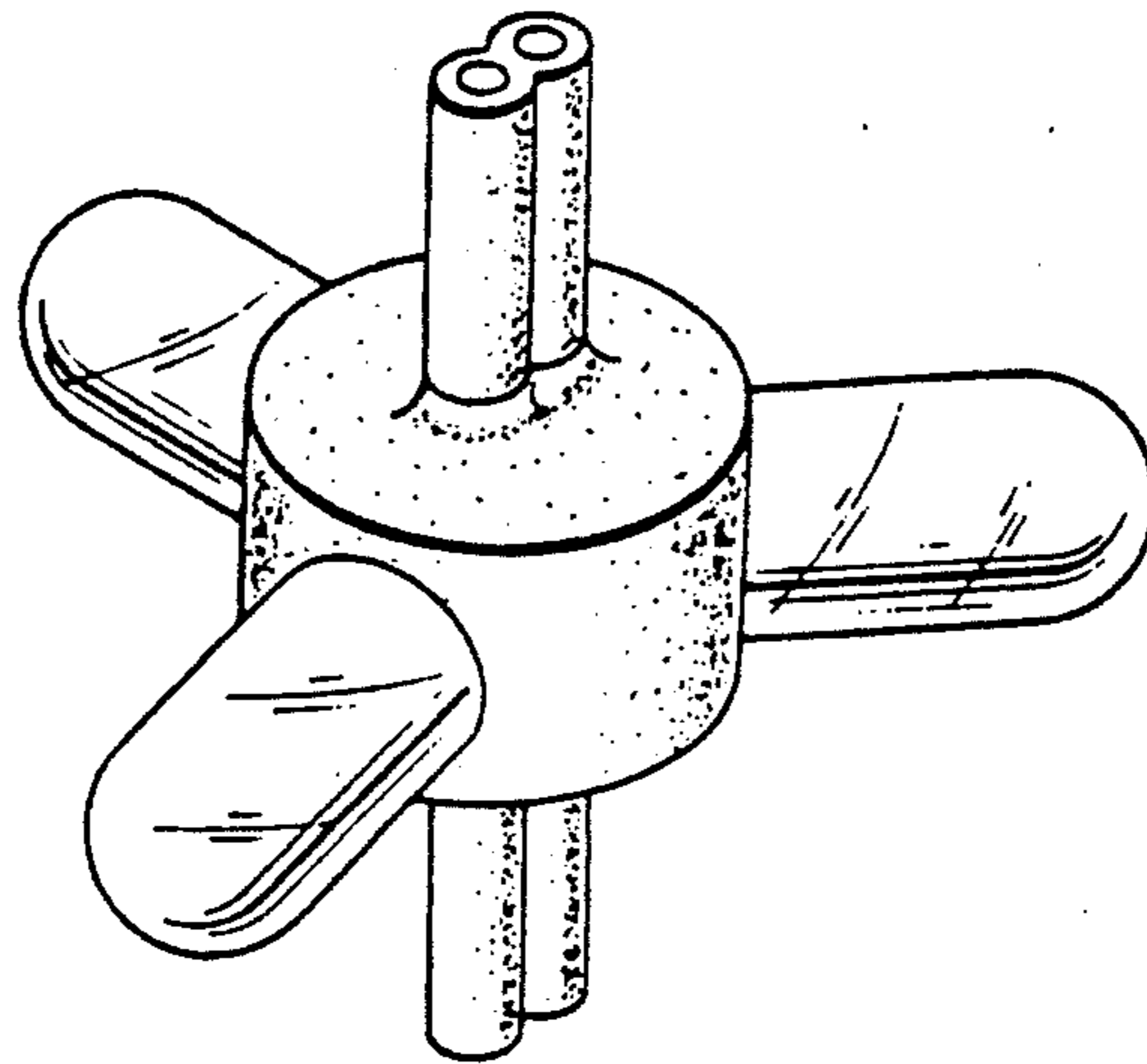


FIG. 2

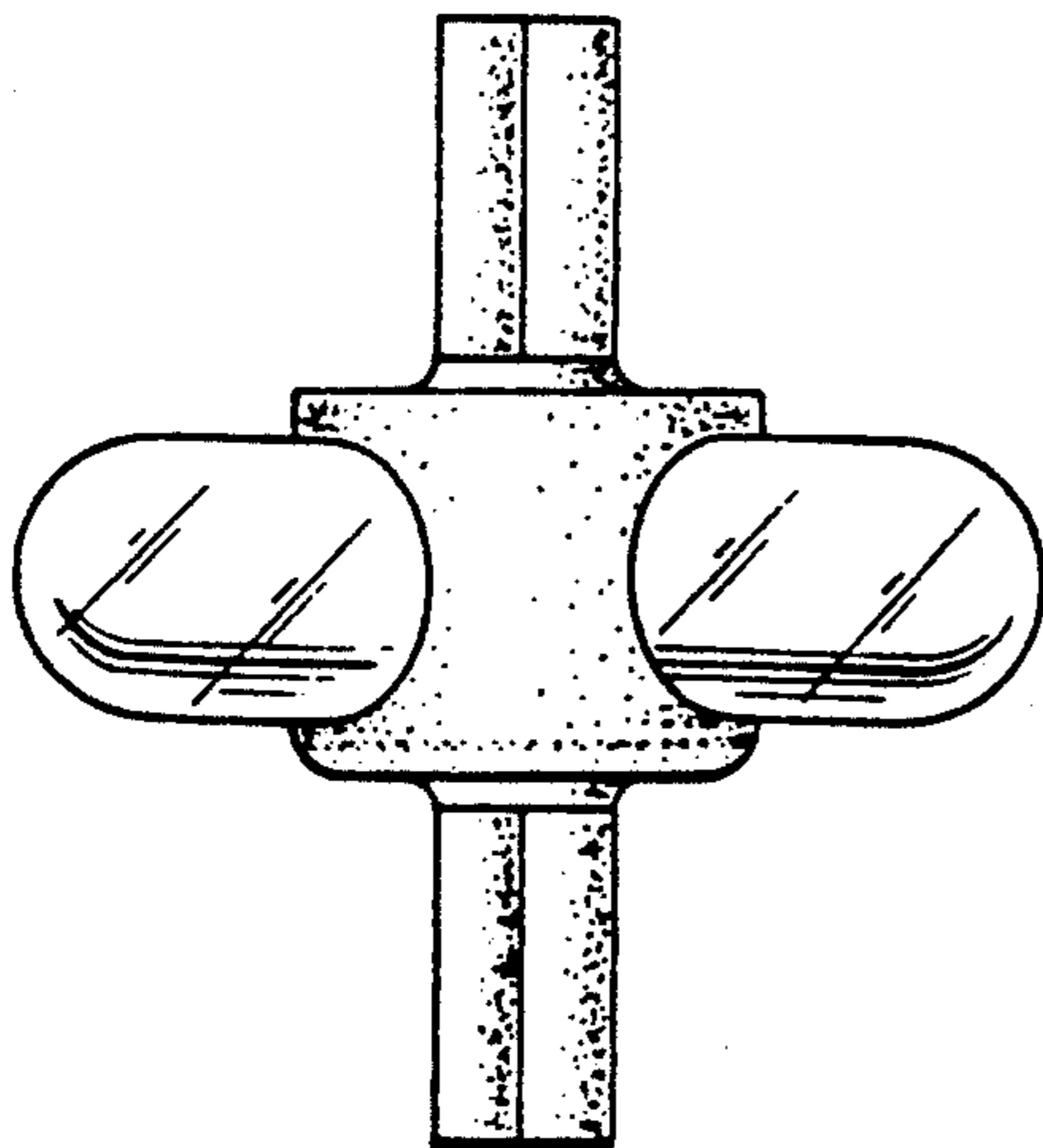


FIG. 3

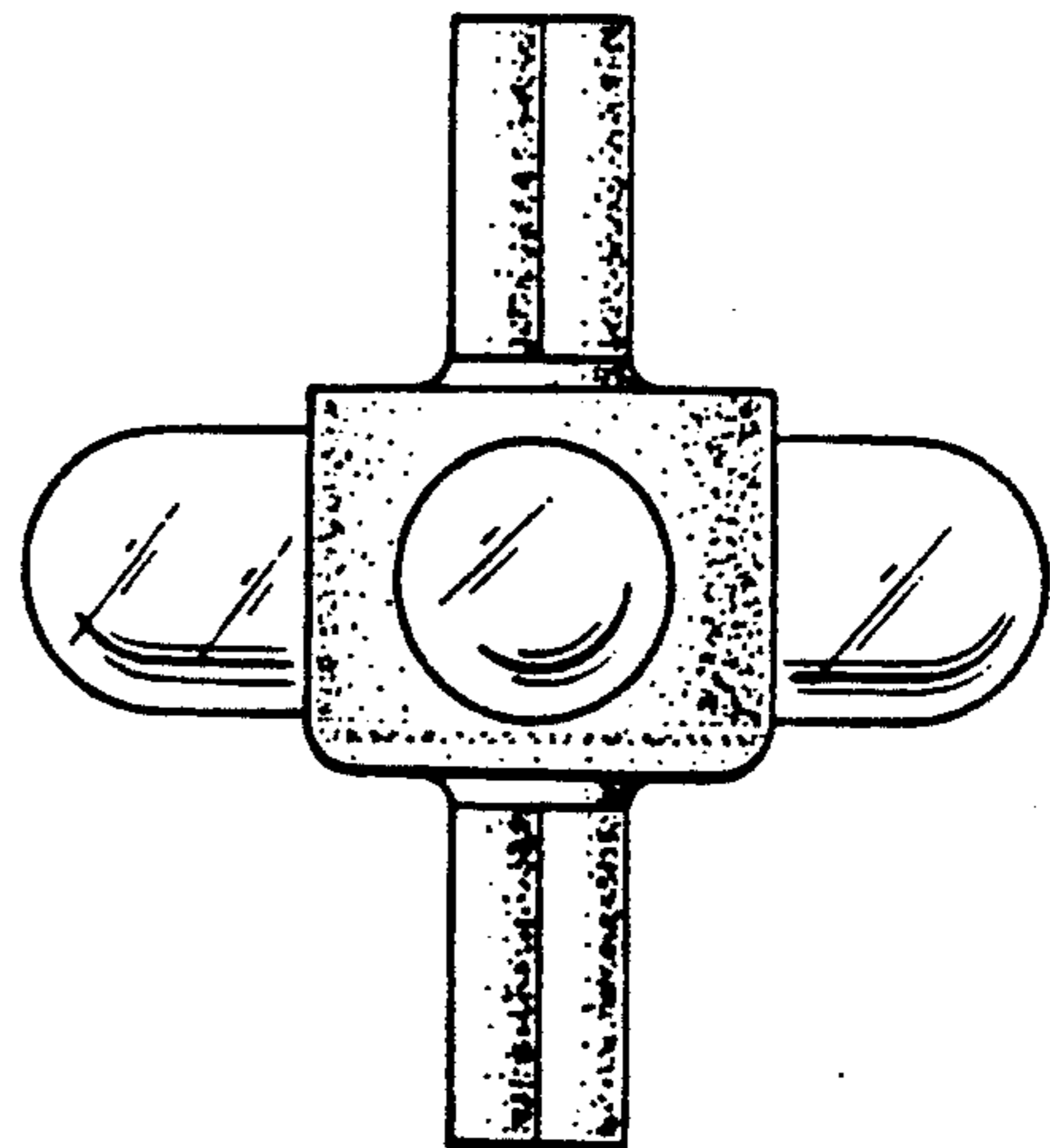


FIG. 4

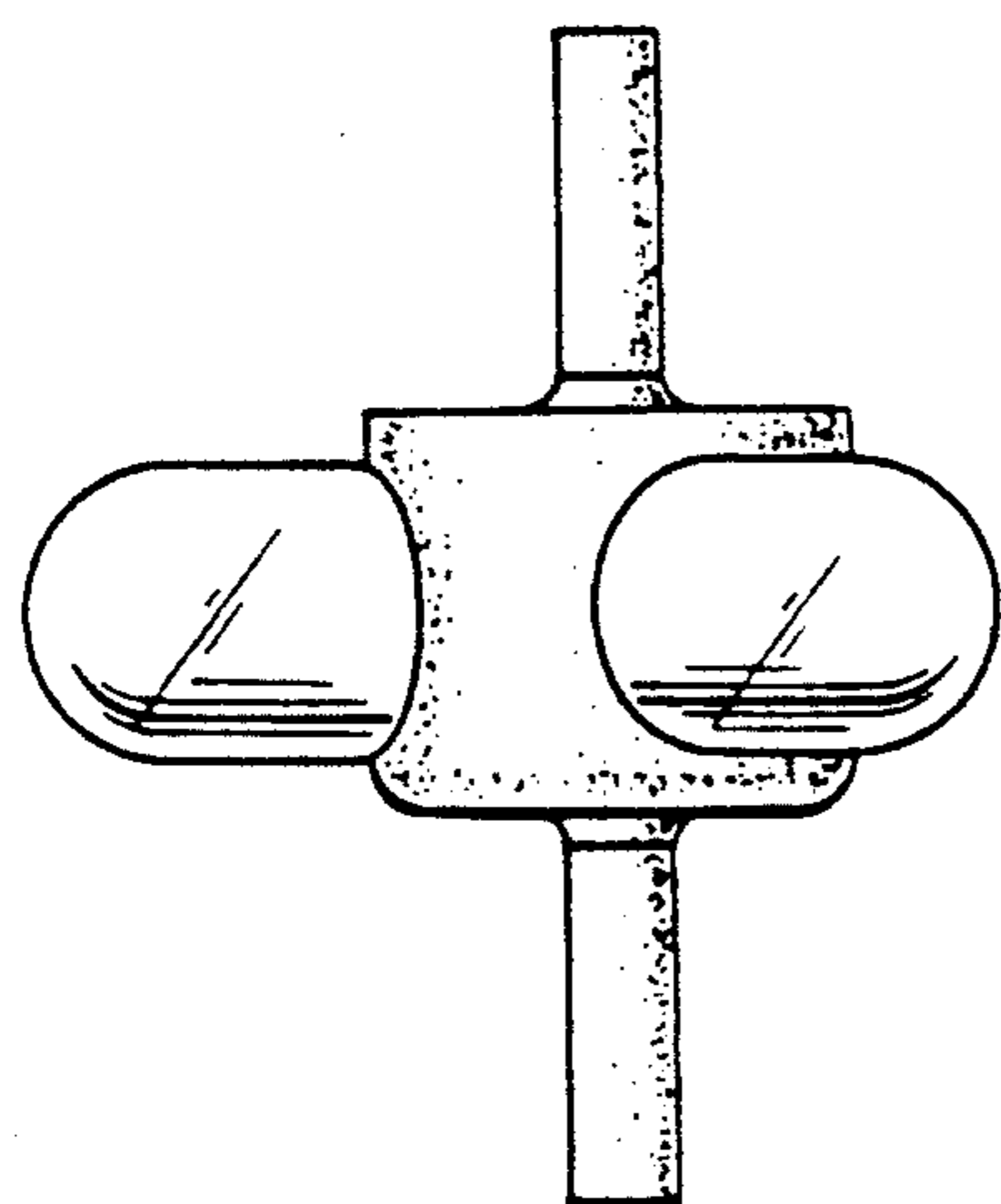


FIG. 5

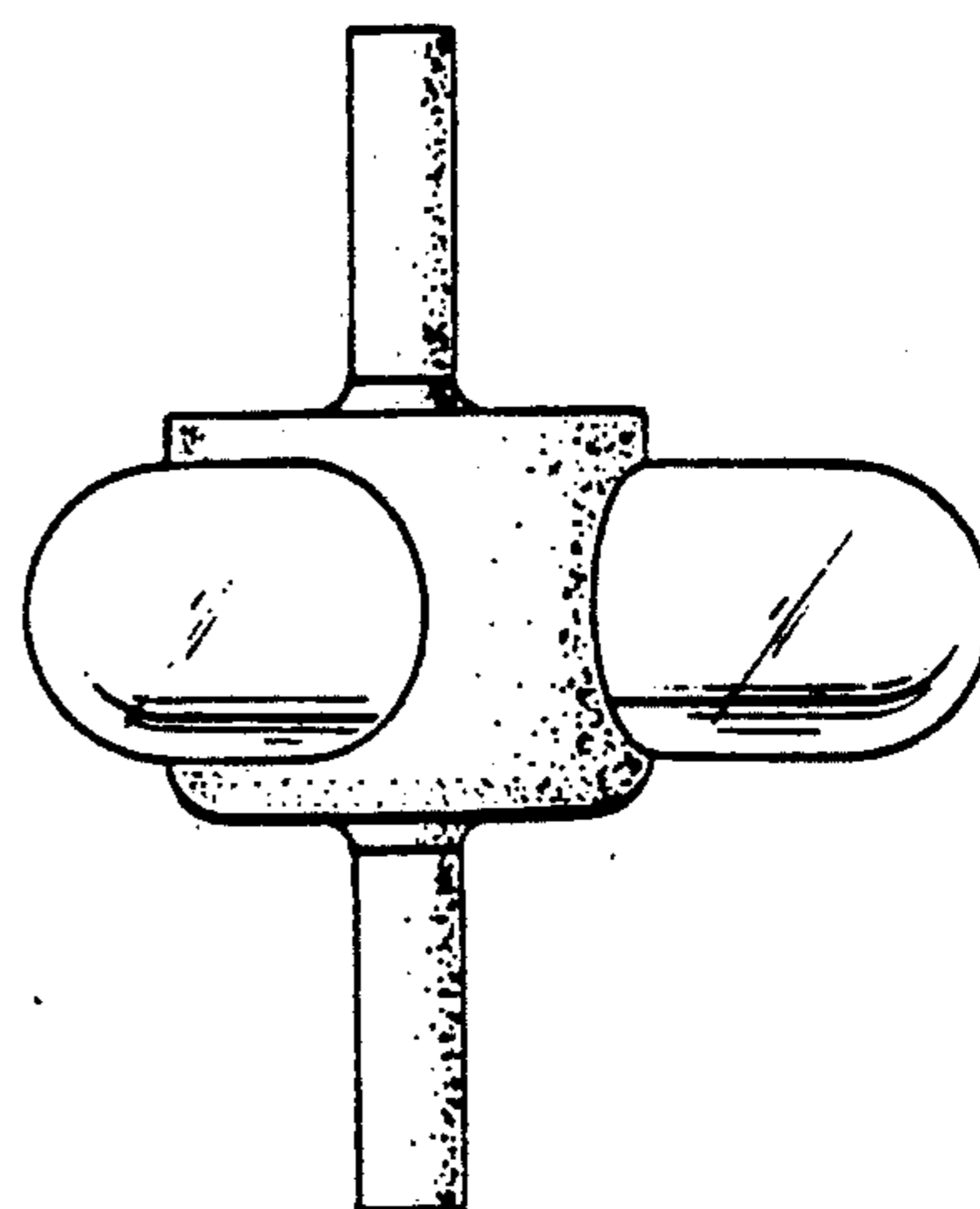


FIG. 6

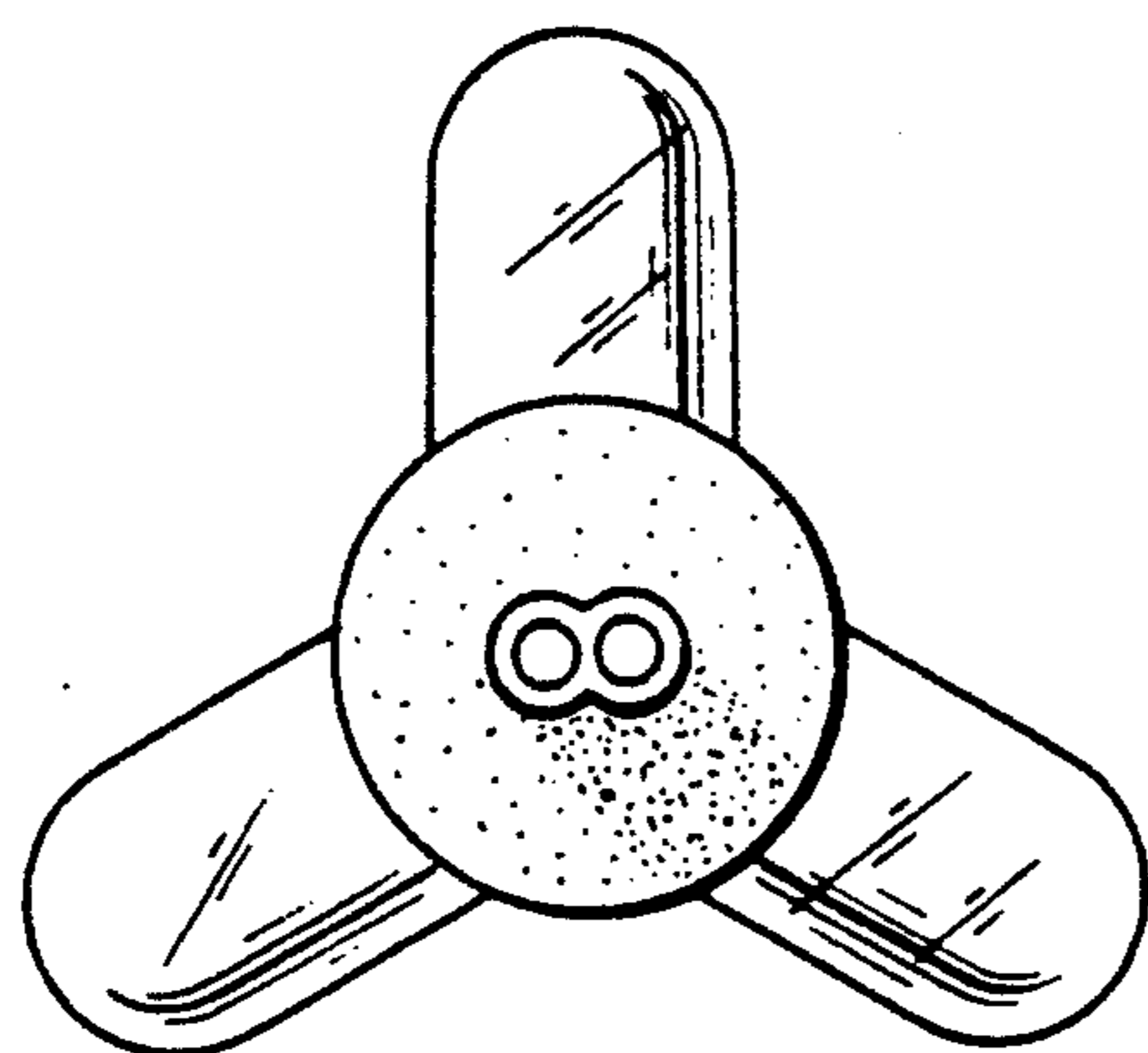
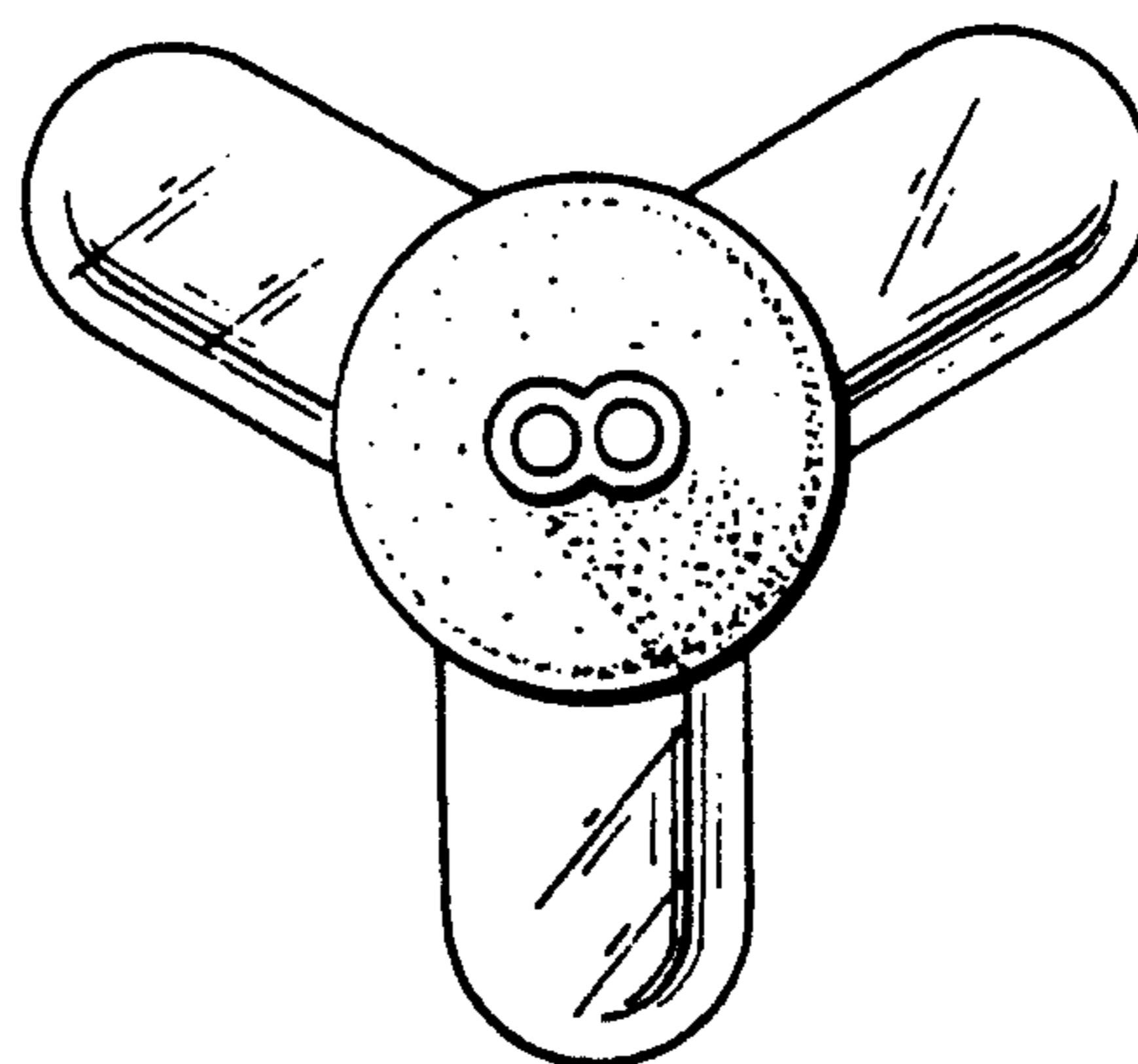


FIG. 7



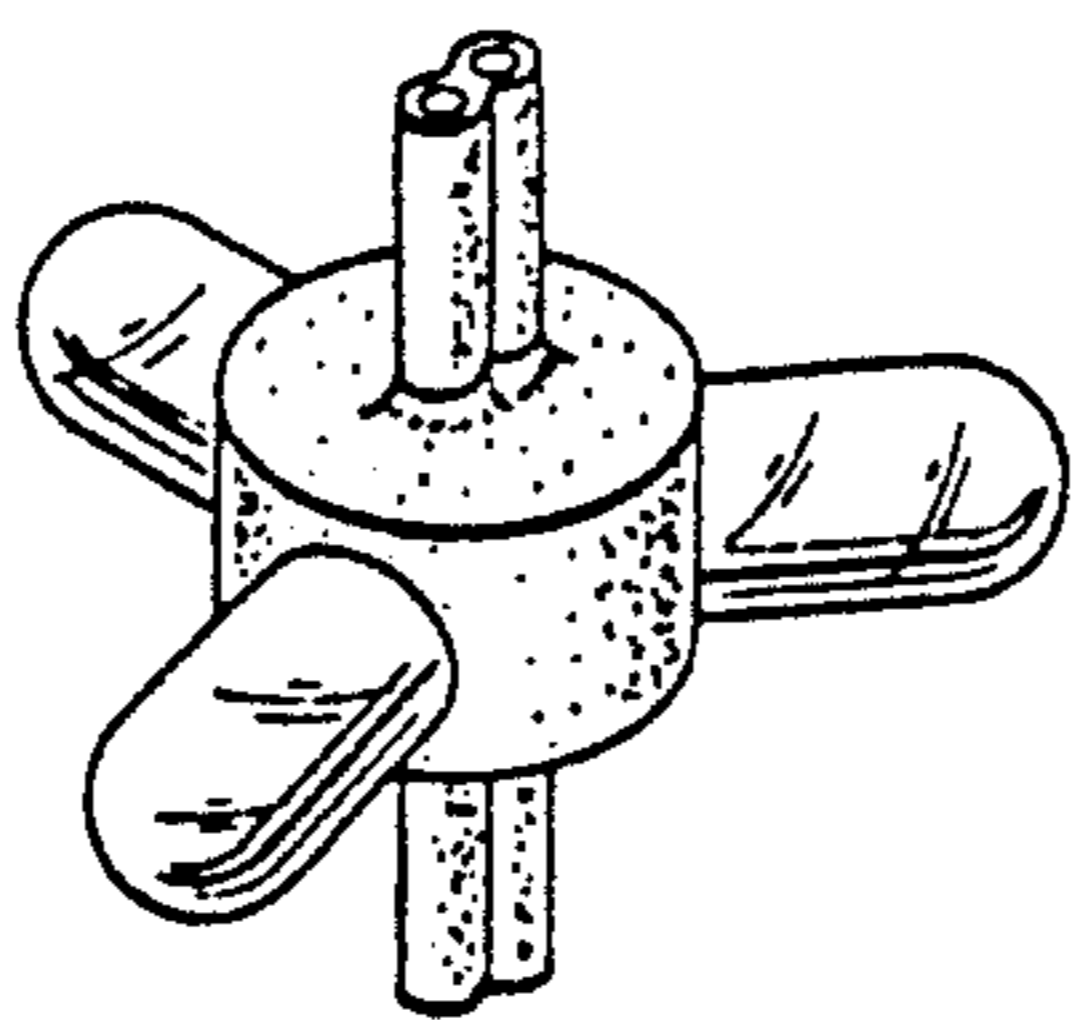


FIG. 8

