



US00D336527S

United States Patent [19]

[11] Patent Number: **Des. 336,527**

Cole

[45] Date of Patent: **** Jun. 15, 1993**

[54] **SKYLIGHT FRAME WINDOW EXTRUSION**

4,449,340	5/1984	Jentol et al.	49/DIG. 2
4,570,394	2/1986	Jentol et al.	52/200
4,796,400	1/1989	Mulder	49/DIG. 2

[75] Inventor: **Douglas L. Cole**, Seattle, Wash.

[73] Assignee: **Mikron Industries**, Kent, Wash.

[**] Term: **14 Years**

Primary Examiner—A. Hugo Word
Assistant Examiner—Doris Clark
Attorney, Agent, or Firm—Seed and Berry

[21] Appl. No.: **707,407**

[57] **CLAIM**

[22] Filed: **May 30, 1991**

The ornamental design for a skylight frame window extrusion, as shown and described.

[52] U.S. Cl. **D25/124**

[58] Field of Search D25/124-125,
D25/52; 49/504; 52/200

DESCRIPTION

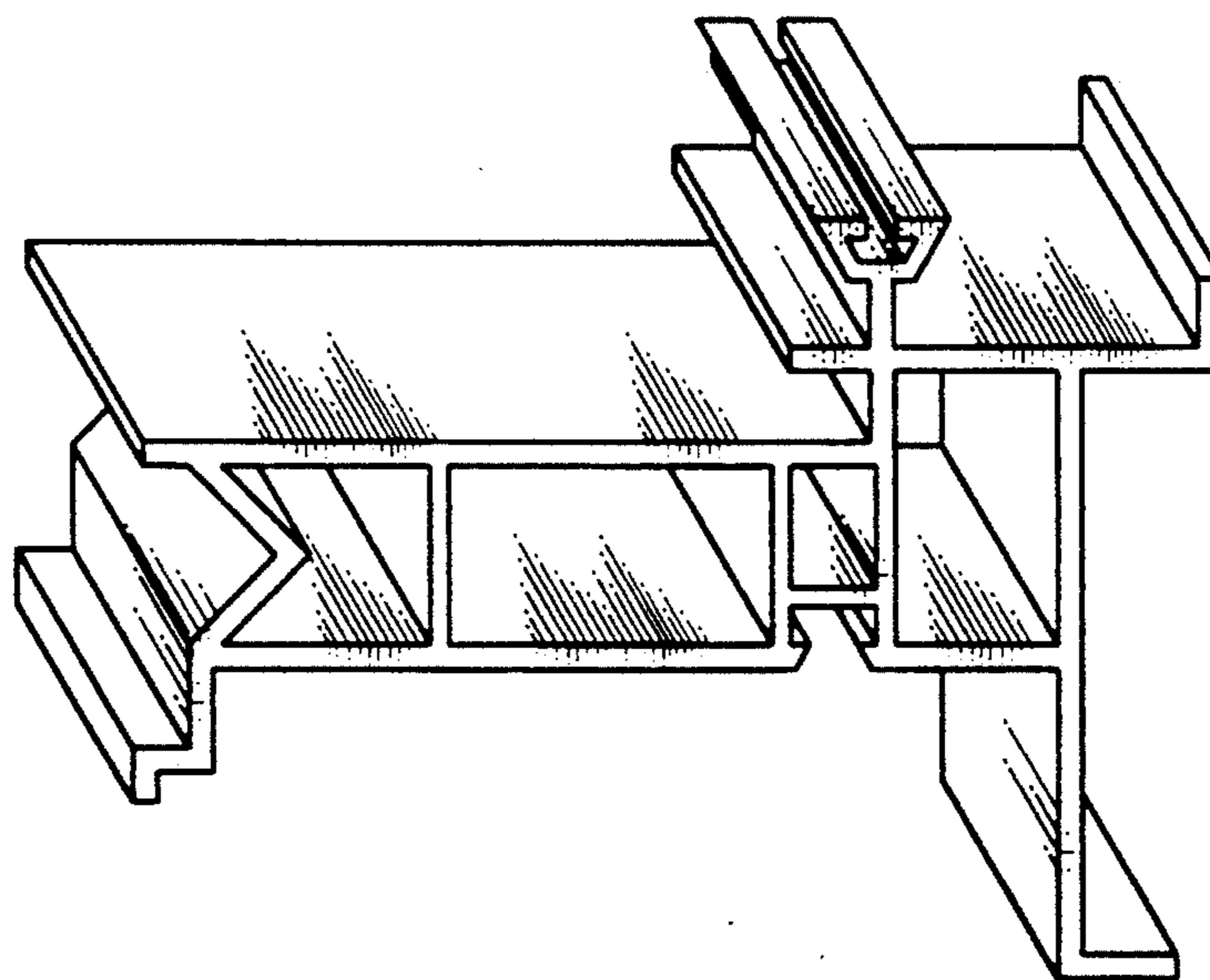
[56] **References Cited**

FIG. 1 is a perspective view of a skylight frame window extrusion showing my new design viewed from the top right; and,

U.S. PATENT DOCUMENTS

315,958	4/1885	Overman et al.	D25/52
4,409,767	10/1983	Jentol et al.	52/200

FIG. 2 is a perspective view thereof viewed from the bottom left.



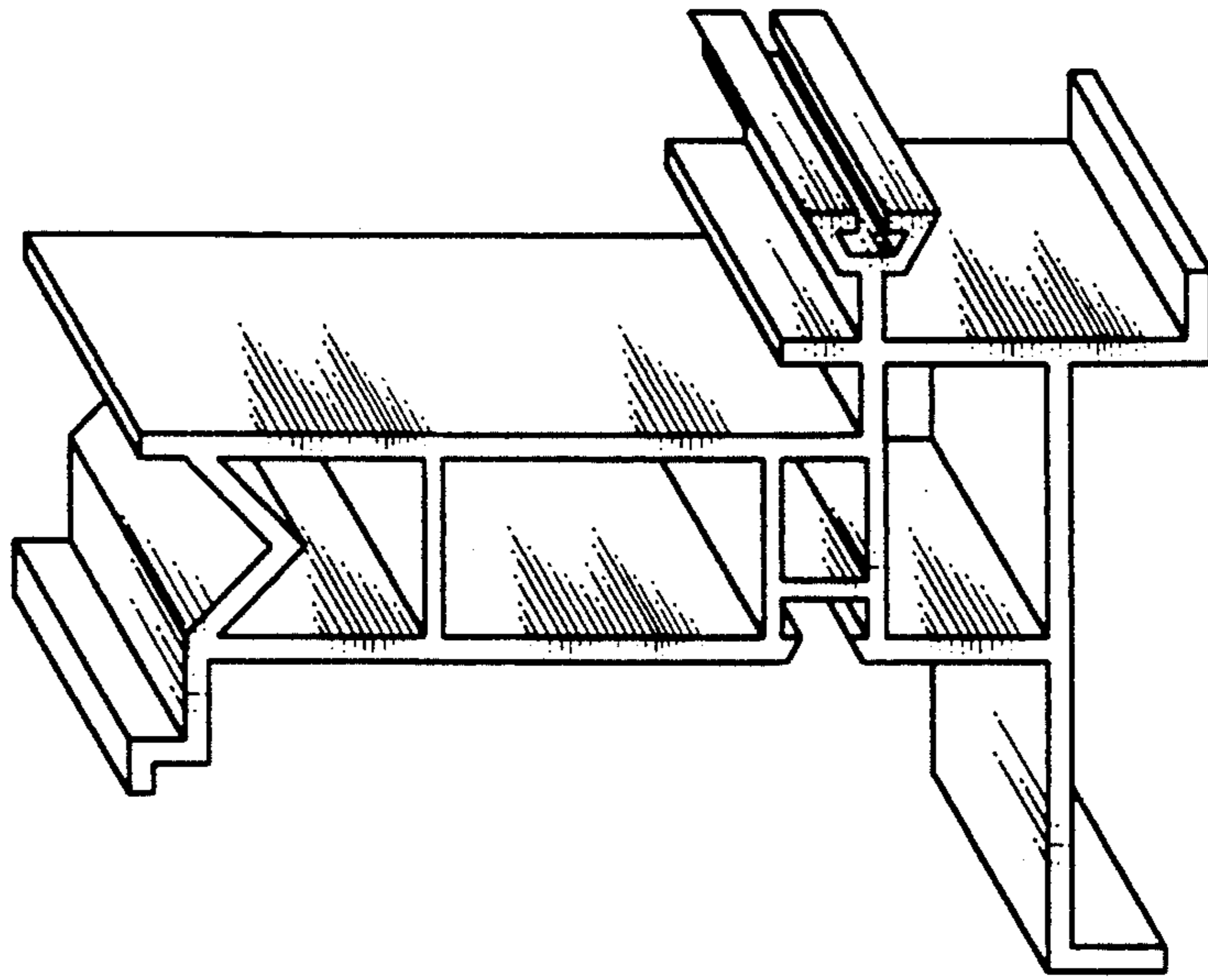


FIG. 1

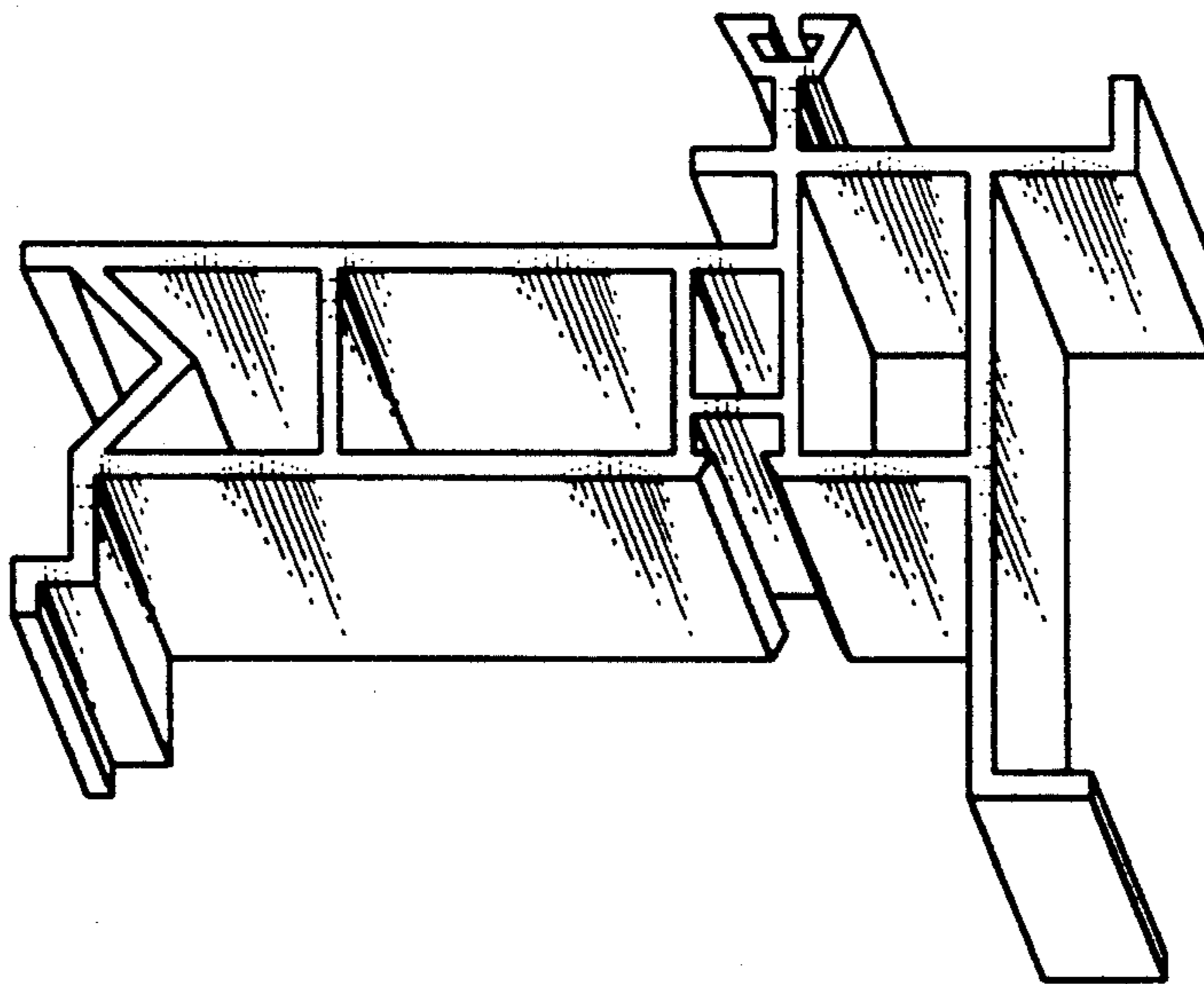


FIG. 2