



US00D336525S

United States Patent [19]

[11] Patent Number: **Des. 336,525**

Clemons

[45] Date of Patent: **** Jun. 15, 1993**

[54] **WATER BOTTLE SUPPORT TRACK**

[76] Inventor: **George J. Clemons**, 5691 Plunkett St., Hollywood, Fla. 33023

[**] Term: **14 Years**

[21] Appl. No.: **648,374**

[22] Filed: **Jan. 31, 1991**

[52] U.S. Cl. **D25/119; D6/513**

[58] Field of Search **D25/119-125; D6/546, 535, 552, 513; D7/616; D8/377, 380; 211/74-81; 248/102-106**

[56] **References Cited**

U.S. PATENT DOCUMENTS

D. 247,534	3/1978	Alexandre	D6/552
D. 268,809	5/1983	Marontate	D8/377
D. 280,047	8/1985	Benedict	D6/513
D. 311,127	10/1990	Strodtman	D8/380
1,171,262	2/1916	Sénégas	211/75
2,388,221	10/1945	Smith	D25/125
2,805,453	9/1957	Petronell et al.	D25/119
3,477,187	11/1969	Fruman	D25/119
4,093,076	6/1978	Newton	D7/616
4,130,977	12/1978	Taylor, Jr. et al.	D25/121
4,998,629	3/1991	Cheng	211/71

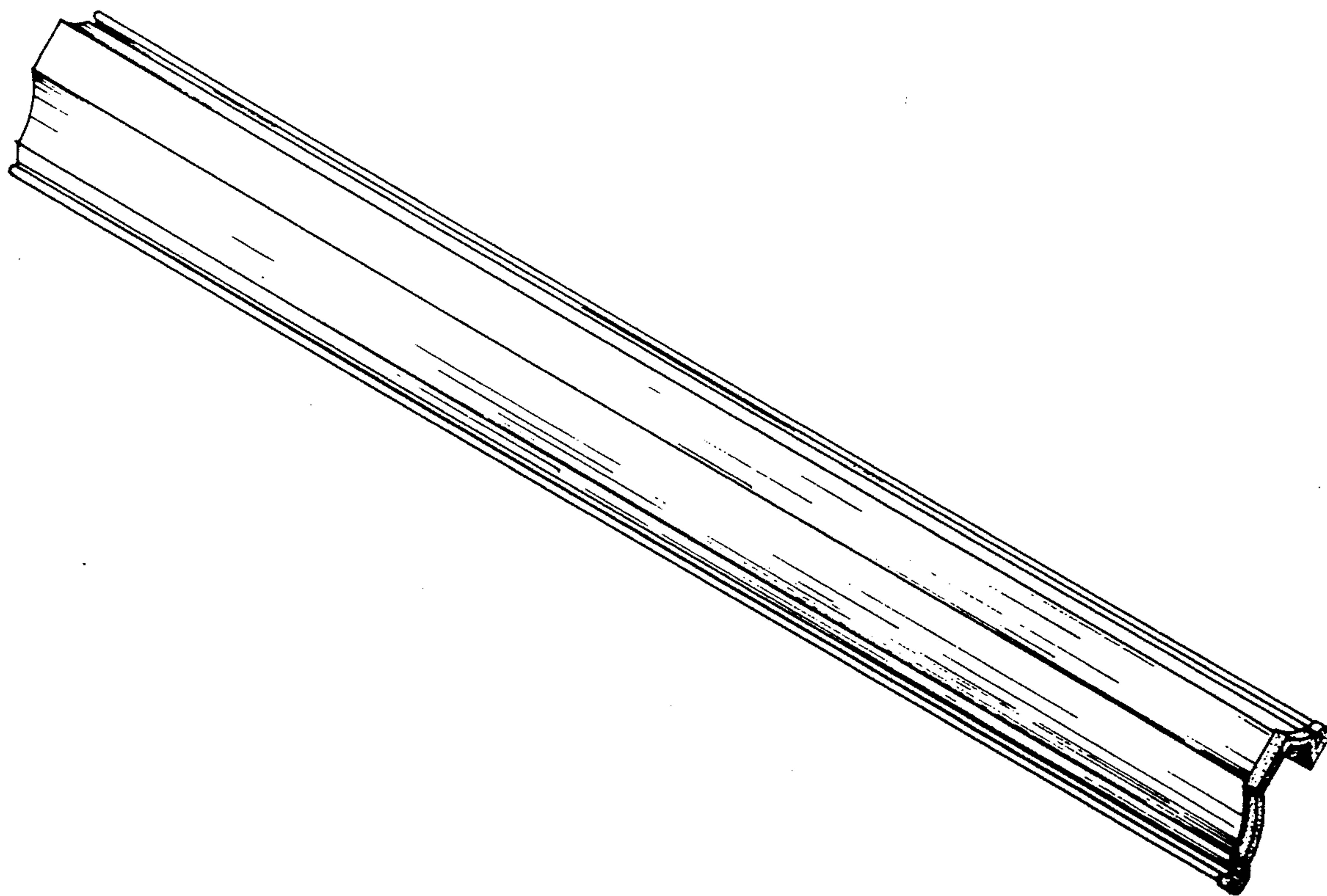
Primary Examiner—A. Hugo Word
Assistant Examiner—Doris Clark
Attorney, Agent, or Firm—Malloy, Downey & Malloy

[57] **CLAIM**

The ornamental design for a water bottle support track, as shown and described.

DESCRIPTION

FIG. 1 is a perspective view of a water bottle support track showing my new design;
FIG. 2 is a front elevational view thereof;
FIG. 3 is a rear elevational view thereof;
FIG. 4 is a left end elevational view thereof;
FIG. 5 is a right end elevational view thereof;
FIG. 6 is a top plan view thereof;
FIG. 7 is a bottom plan view thereof;
FIG. 8 is a perspective view of a second embodiment of a water bottle support track showing my new design;
FIG. 9 is a front elevational view thereof;
FIG. 10 is a rear elevational view thereof;
FIG. 11 is a left end elevational view thereof;
FIG. 12 is a right end elevational view thereof;
FIG. 13 is a top plan view thereof; and,
FIG. 14 is a bottom plan view thereof.



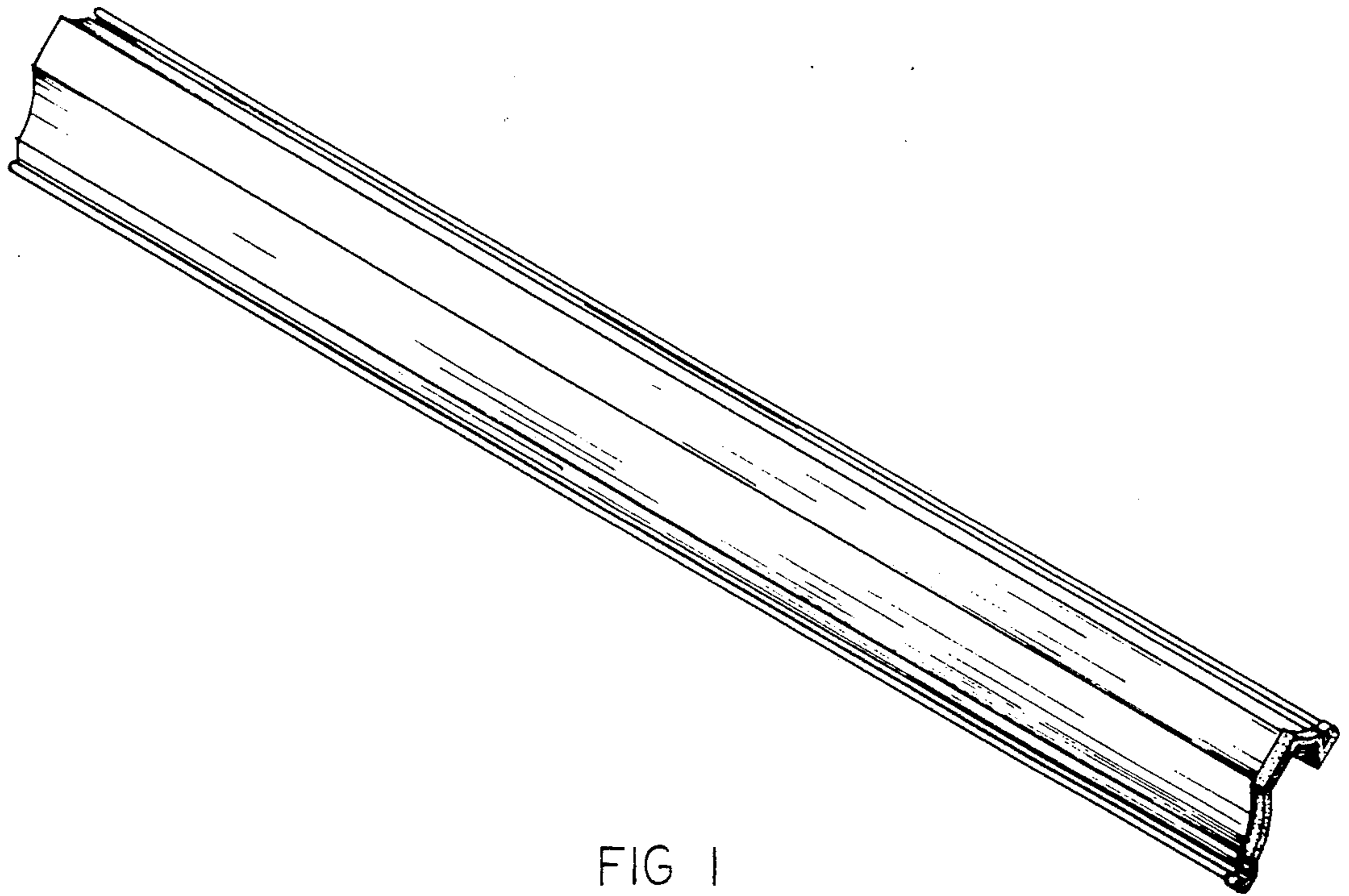


FIG 1

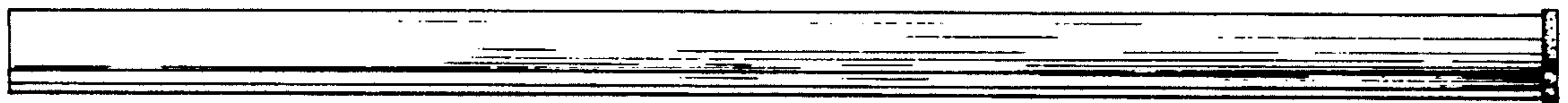


FIG 2

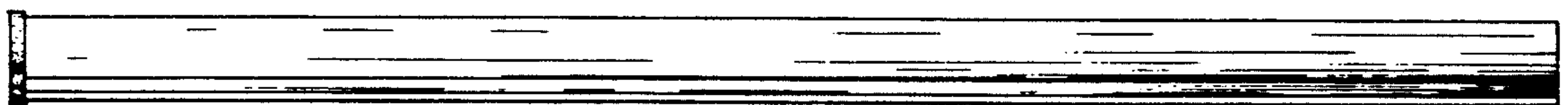


FIG 3



FIG 4



FIG 5

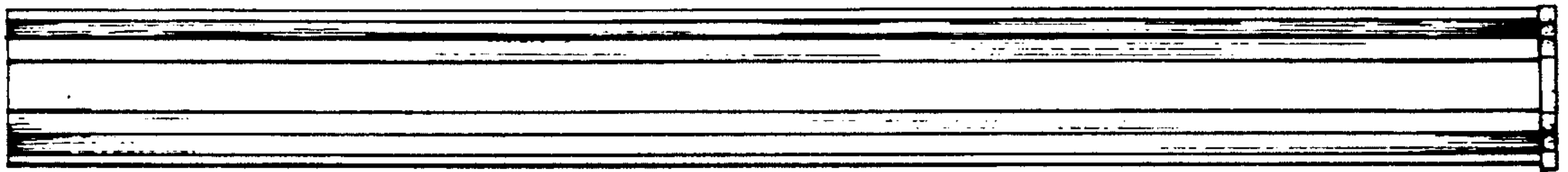


FIG 6

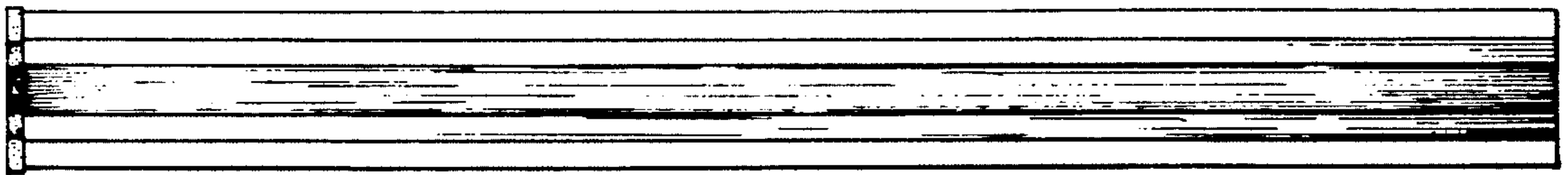


FIG 7

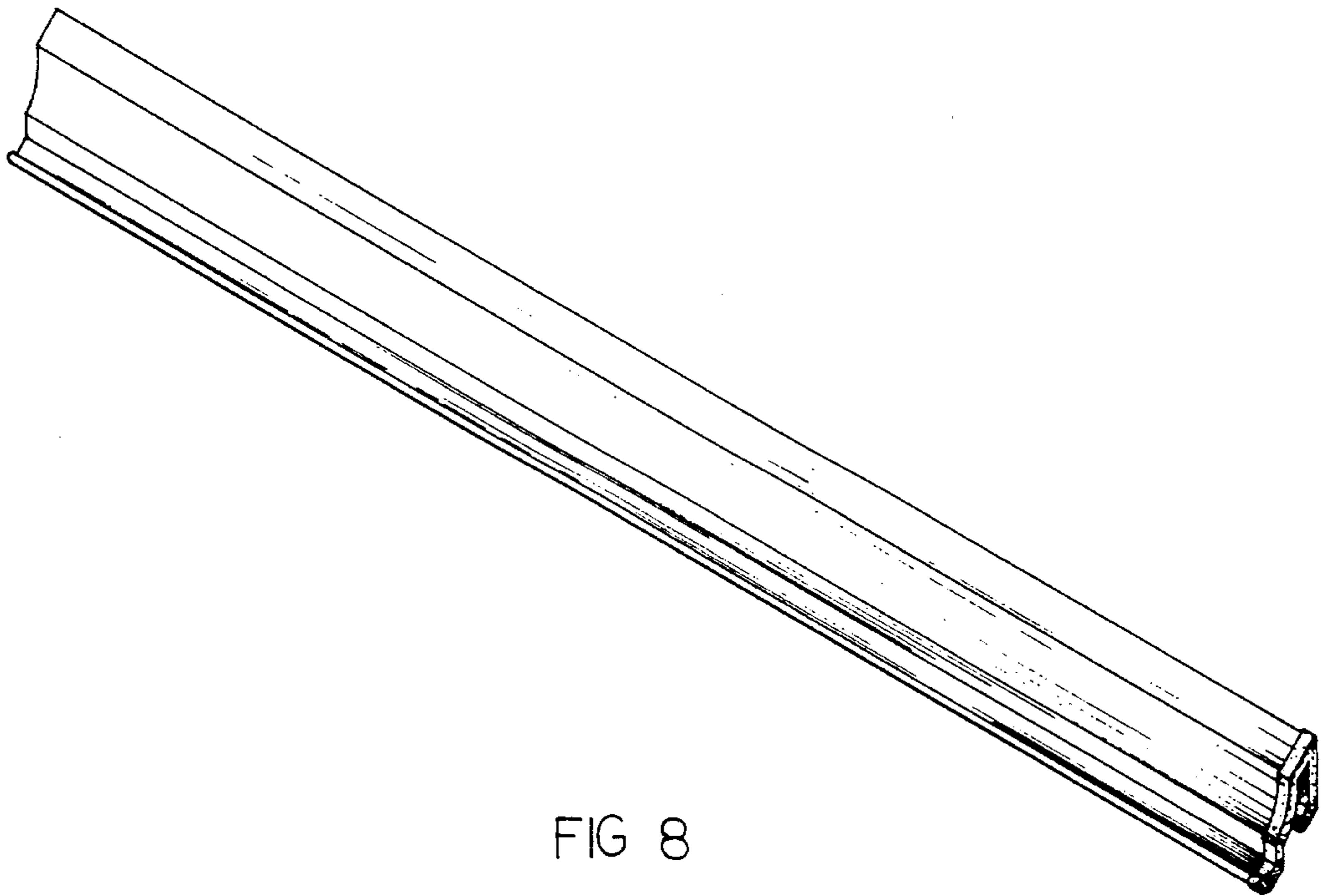


FIG 8

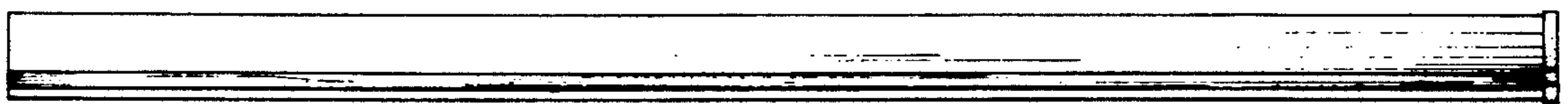


FIG 9

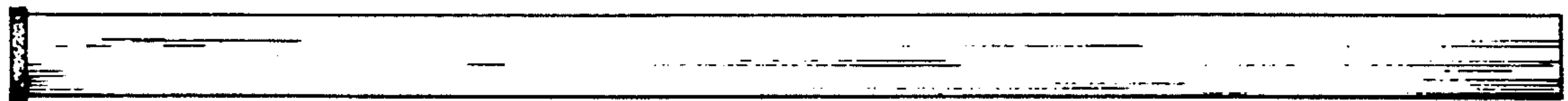


FIG 10



FIG 11



FIG 12

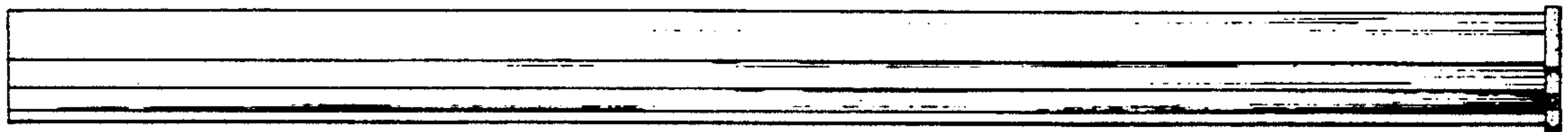


FIG 13

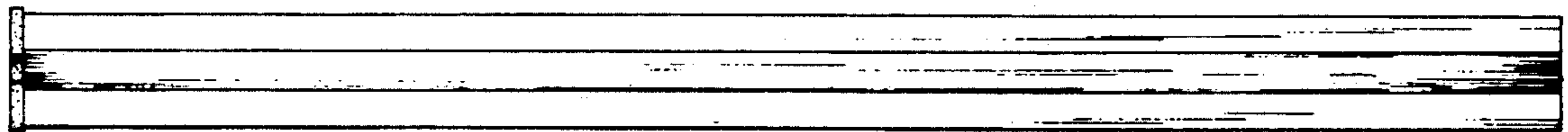


FIG 14