



US00D336519S

United States Patent [19]

[11] Patent Number: Des. 336,519

Greene et al.

[45] Date of Patent: ** Jun. 15, 1993

[54] **ADJUSTABLE MODULAR PROSTHETIC JOINT**

[75] Inventors: **Ted J. Greene, LaCanada; Dan J. Edwards, Sunland, both of Calif.**

[73] Assignee: **United States Manufacturing Company, San Gabriel, Calif.**

[**] Term: **14 Years**

[21] Appl. No.: **489,593**

[22] Filed: **Mar. 6, 1990**

[52] U.S. Cl. **D24/155**

[58] Field of Search **D24/155; 623/38, 39, 623/27**

[56] **References Cited**

U.S. PATENT DOCUMENTS

3,273,168	9/1966	Gardner et al.	623/38
3,424,908	12/1986	Waggott et al.	623/38
3,659,294	5/1972	Glabiszewski	623/38
4,608,054	8/1986	Schröder	623/39
4,676,800	6/1987	Chen	623/38
4,728,336	3/1988	Cooper	623/38

Primary Examiner—Stella Reid

Attorney, Agent, or Firm—Christie, Parker & Hale

[57] **CLAIM**

The ornamental design for an adjustable modular prosthetic joint, as shown and described.

DESCRIPTION

FIG. 1 is an exploded perspective view of an adjustable modular prosthetic joint, showing our new design, with male and female components disassembled;

FIG. 2 is a perspective view of the components of FIG. 1 is assembled;

FIG. 3 is a top view of the female component of the design shown in FIGS. 1 and 2.

FIG. 4 is a bottom view of the component shown in FIG. 3.

FIG. 5 is a side elevation view taken from the bottom of FIG. 3.

FIG. 6 is a side elevation view taken from the right side of FIG. 5.

FIG. 7 is a side elevation view taken from the right side of FIG. 6.

FIG. 8 is a side elevation view taken from the left side of FIG. 5.

FIG. 9 is a top view of a male component of the design shown in FIGS. 1 and 2.

FIG. 10 is an elevation view of the design shown in FIG. 9, all four sides being identical.

FIG. 11 is a bottom view of the component shown in FIG. 10.

FIG. 12 is a perspective view of an alternate embodiment of FIG. 1 including a female component identical to that shown in FIGS. 2-8 with an alternative design of the male component, disassembled.

FIG. 13 is a perspective view showing the female and male components of FIG. 12 assembled.

FIG. 14 is a top view of the male component shown in FIGS. 12 and 13.

FIG. 15 is a side elevation view of the male component with the other side being identical thereto; and,

FIG. 16 is a bottom view of the component shown in FIG. 15.

The broken line showing in FIGS. 1-8, 12 and 13 is for illustrative purposes only and forms no part of the claimed design.

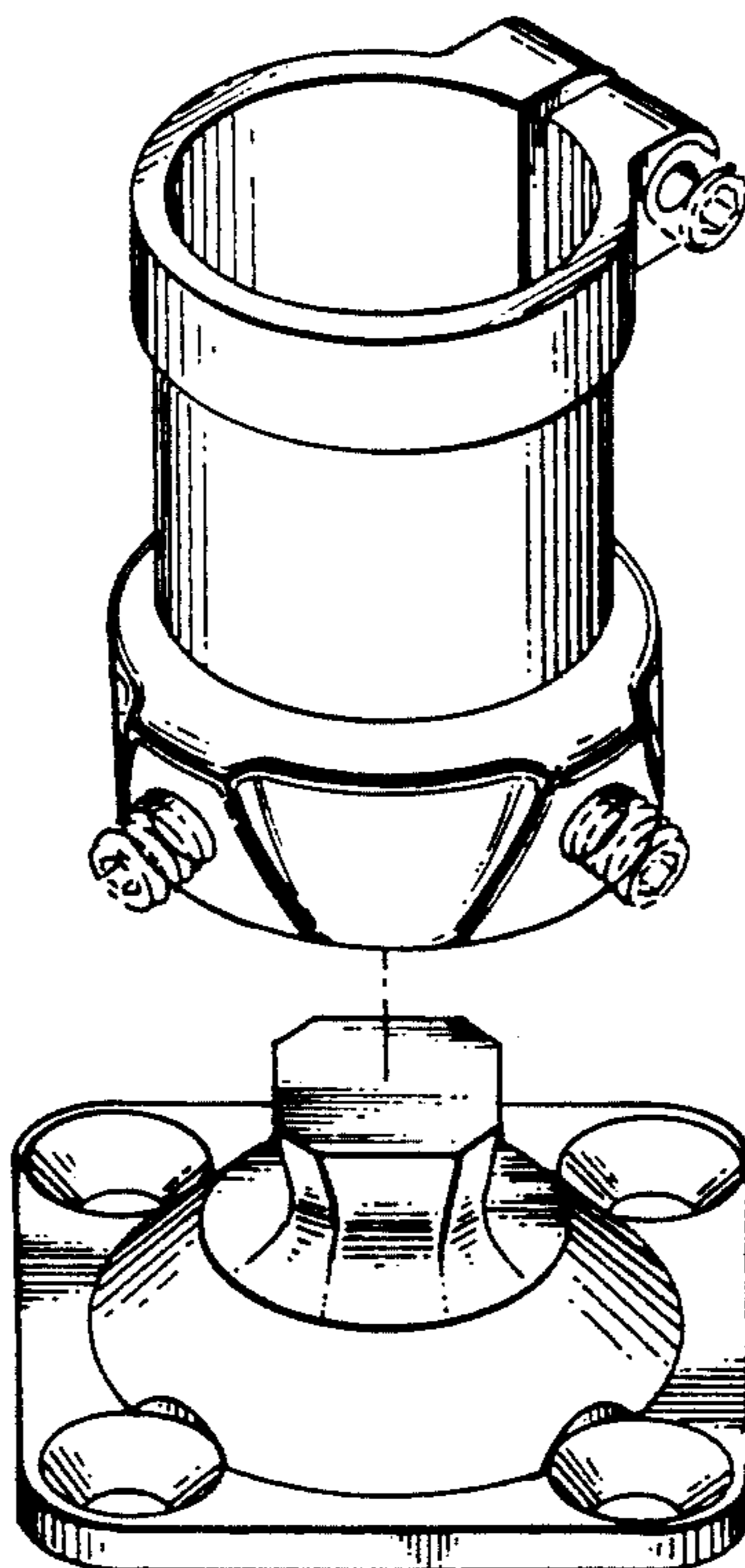


Fig. 1

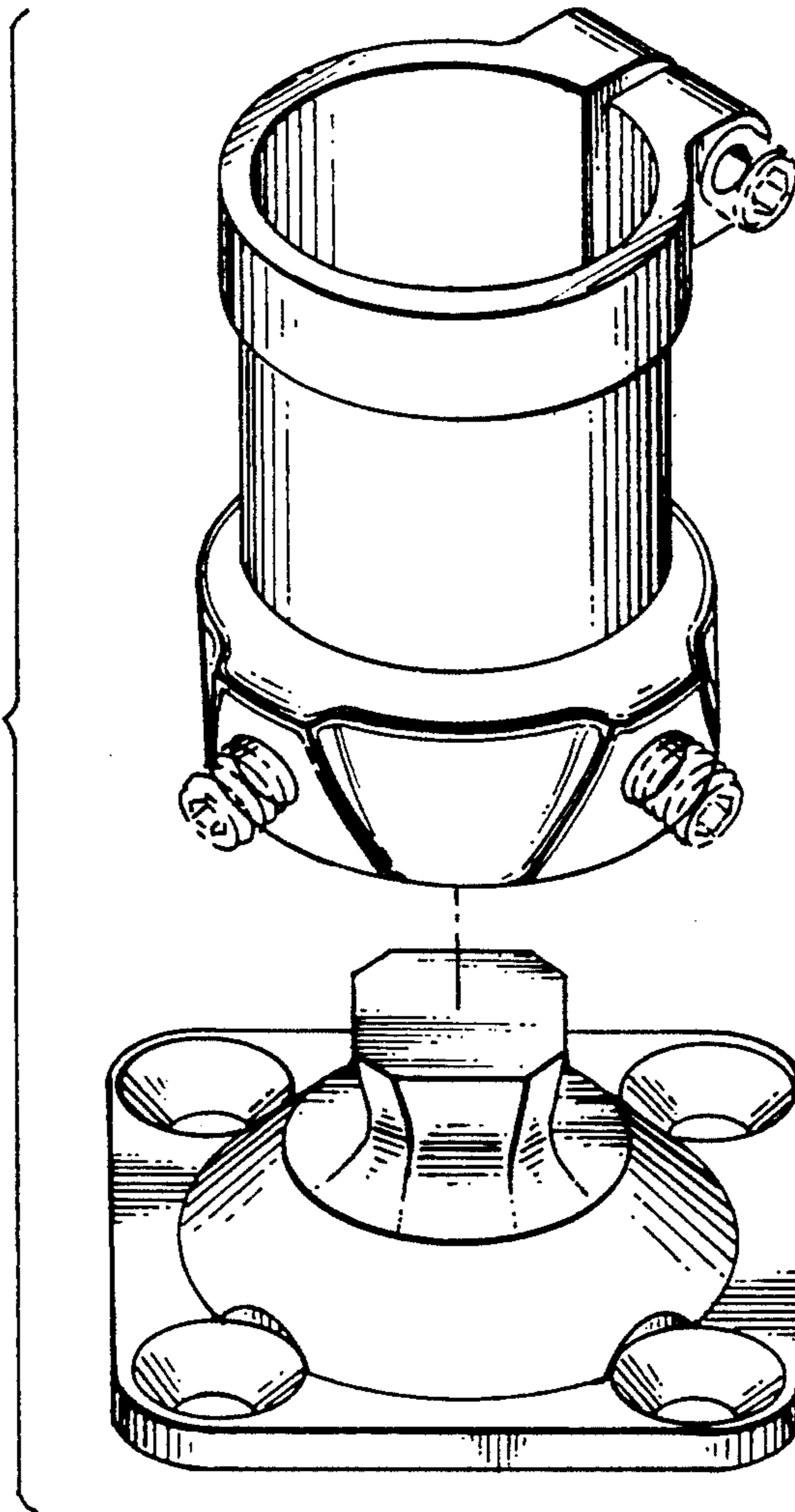


Fig. 2

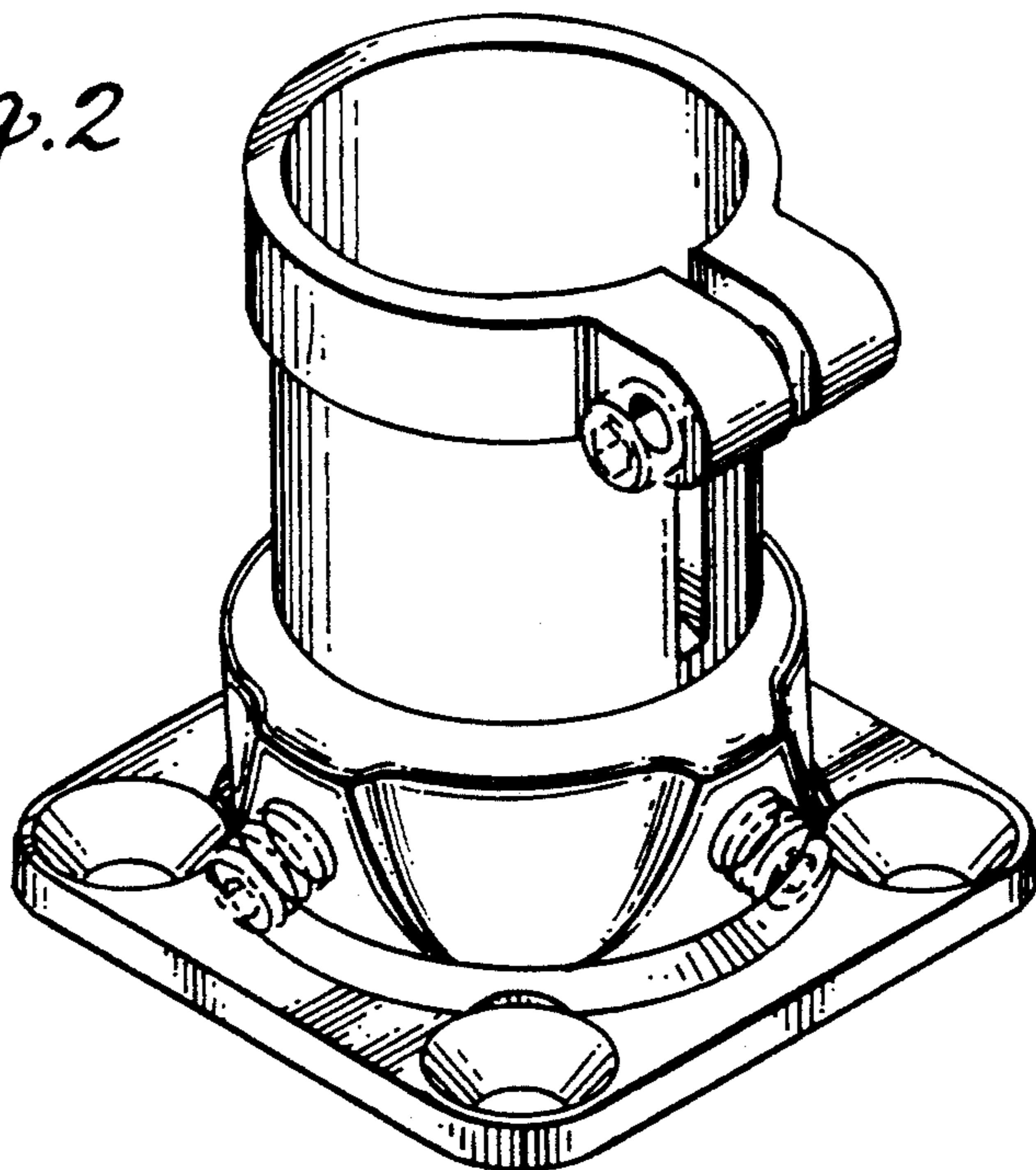


Fig 3

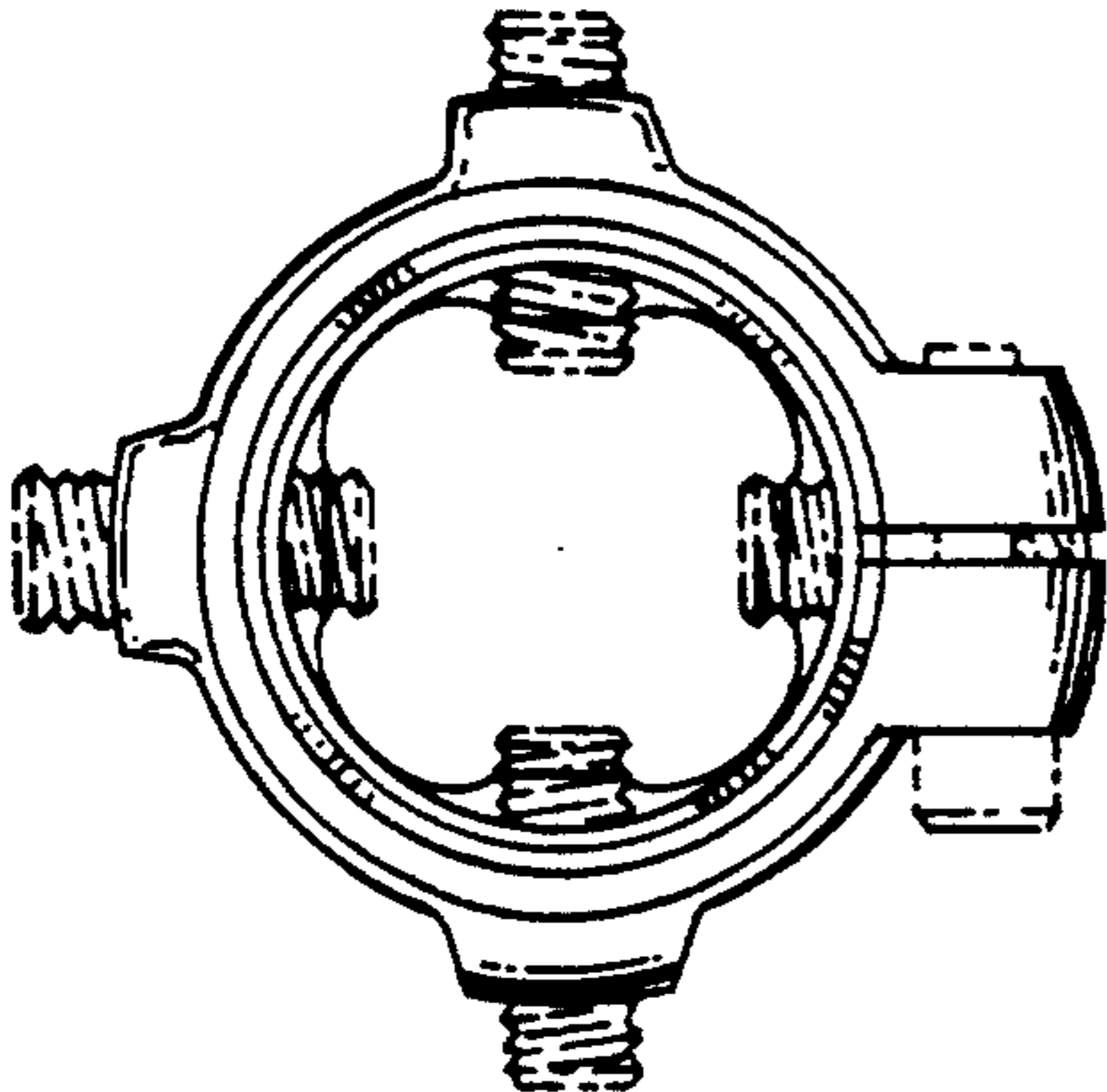


Fig 4

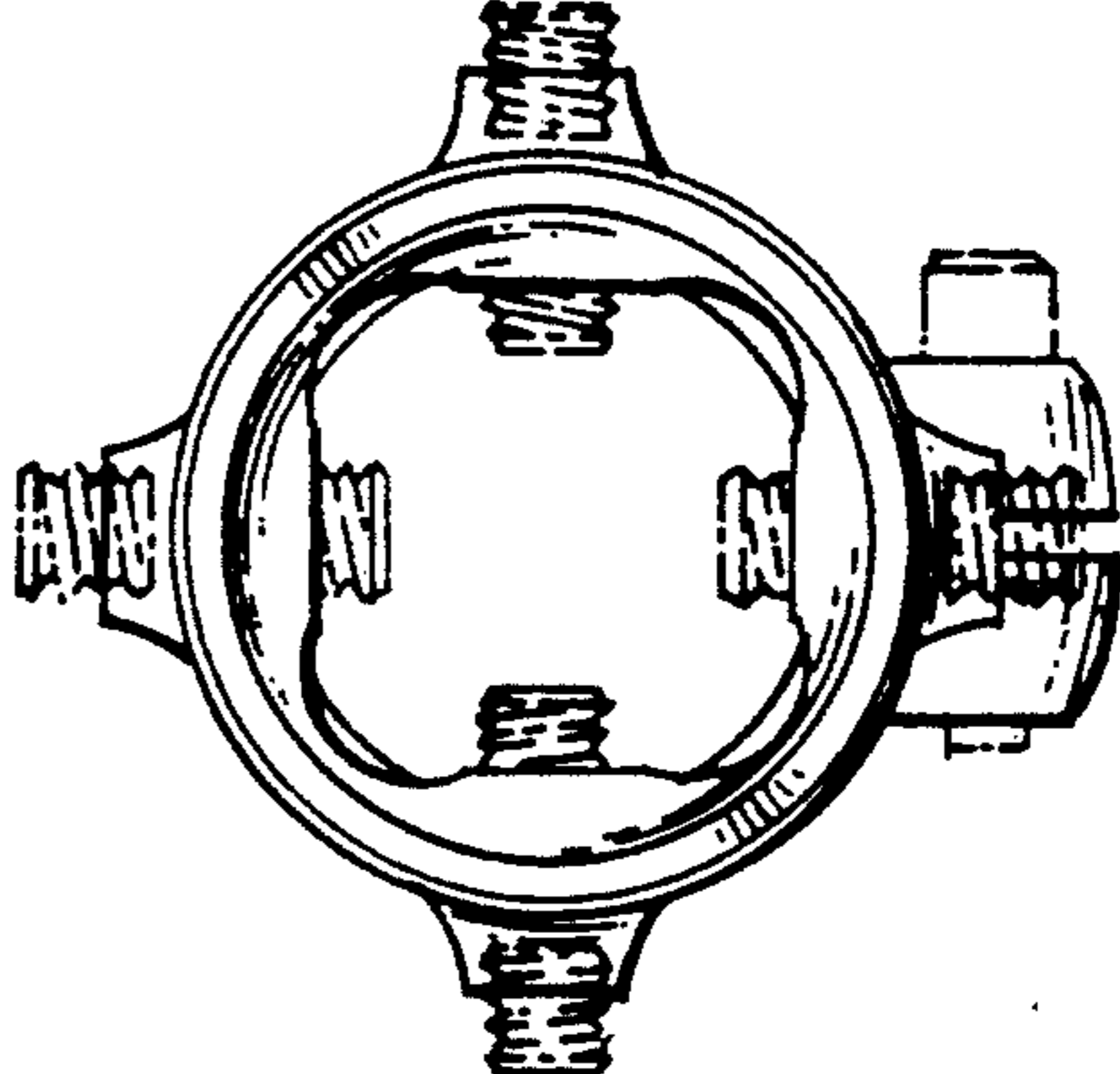


Fig 5

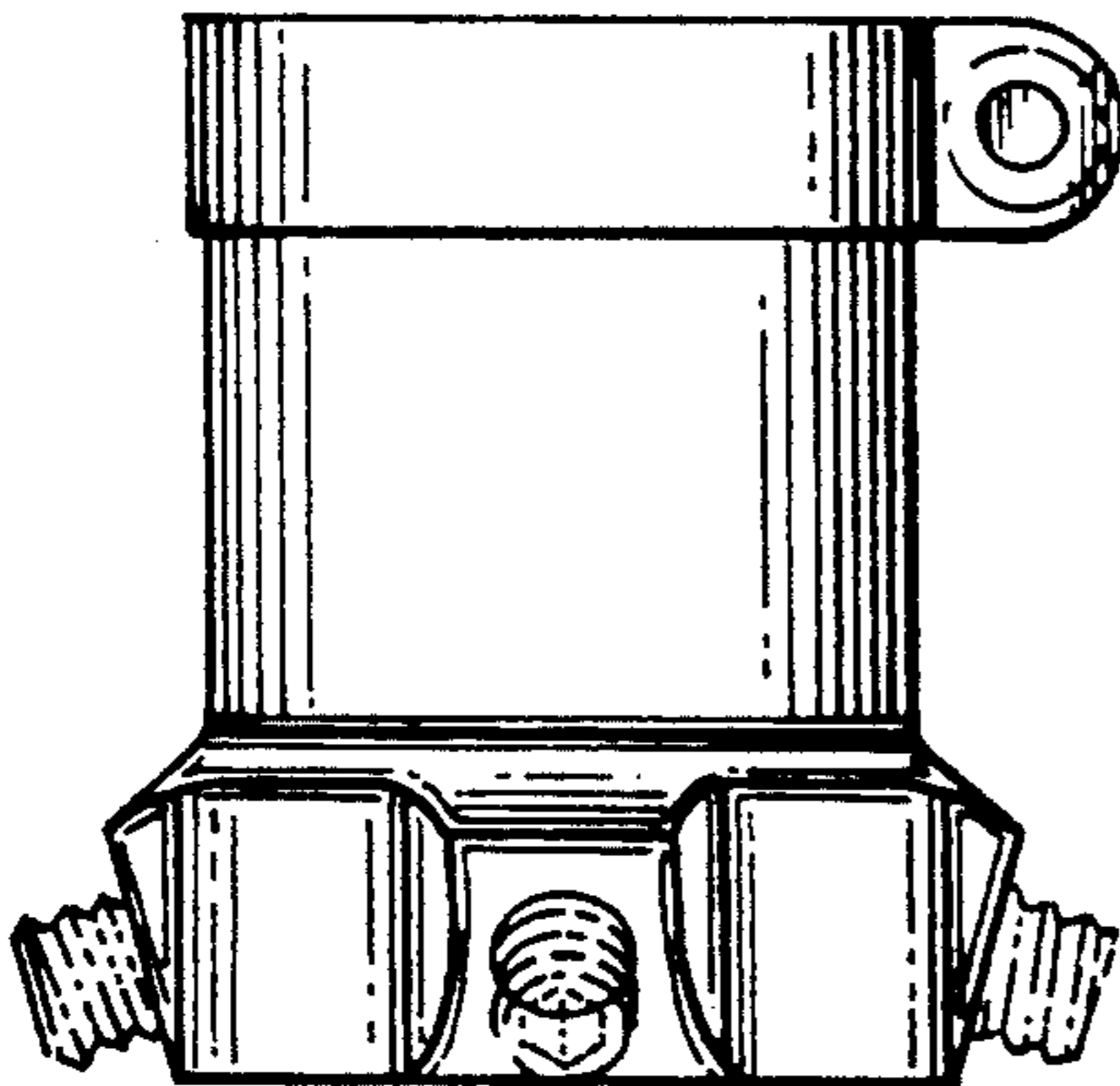


Fig 6

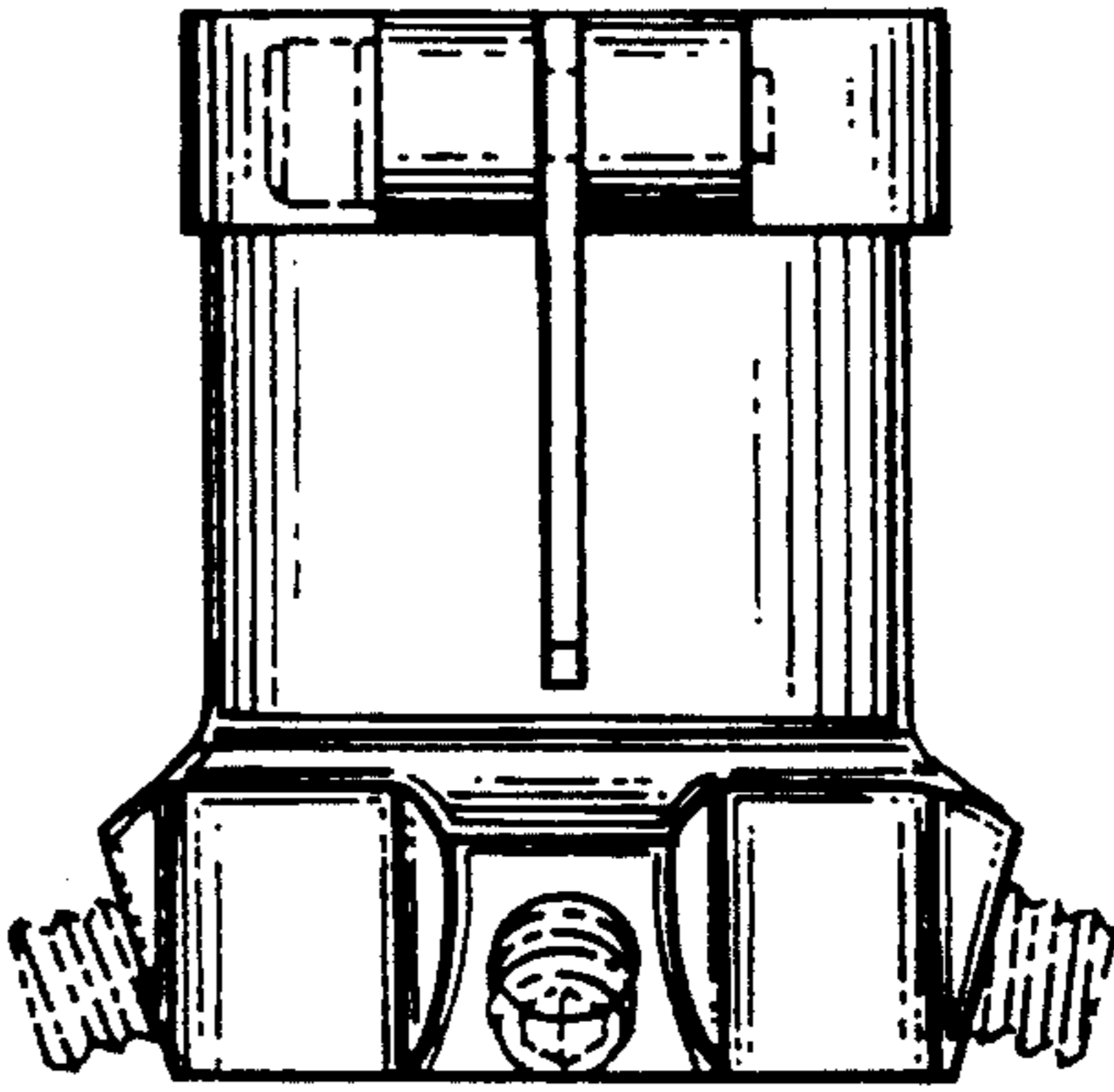


Fig 7

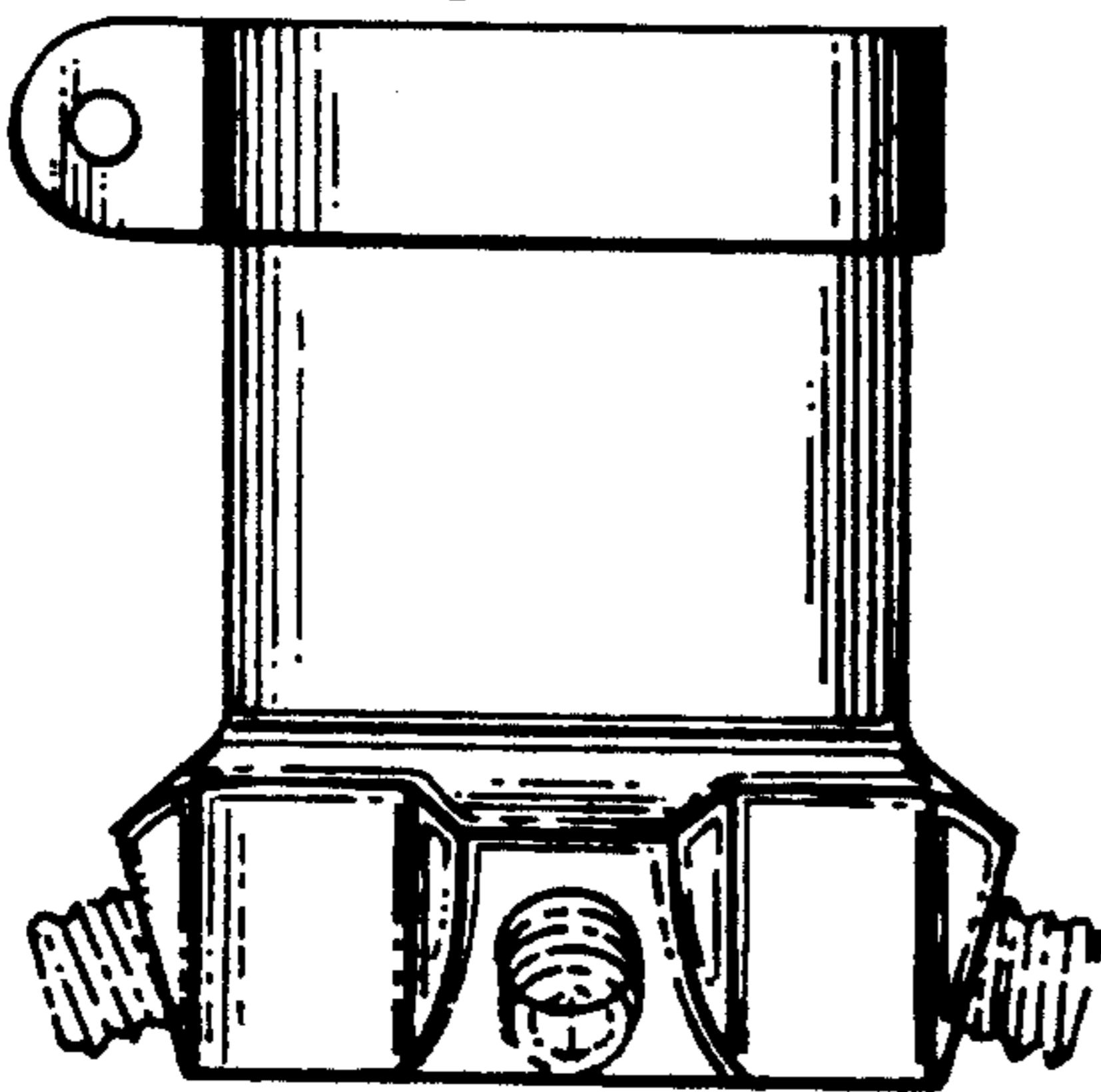


Fig 8

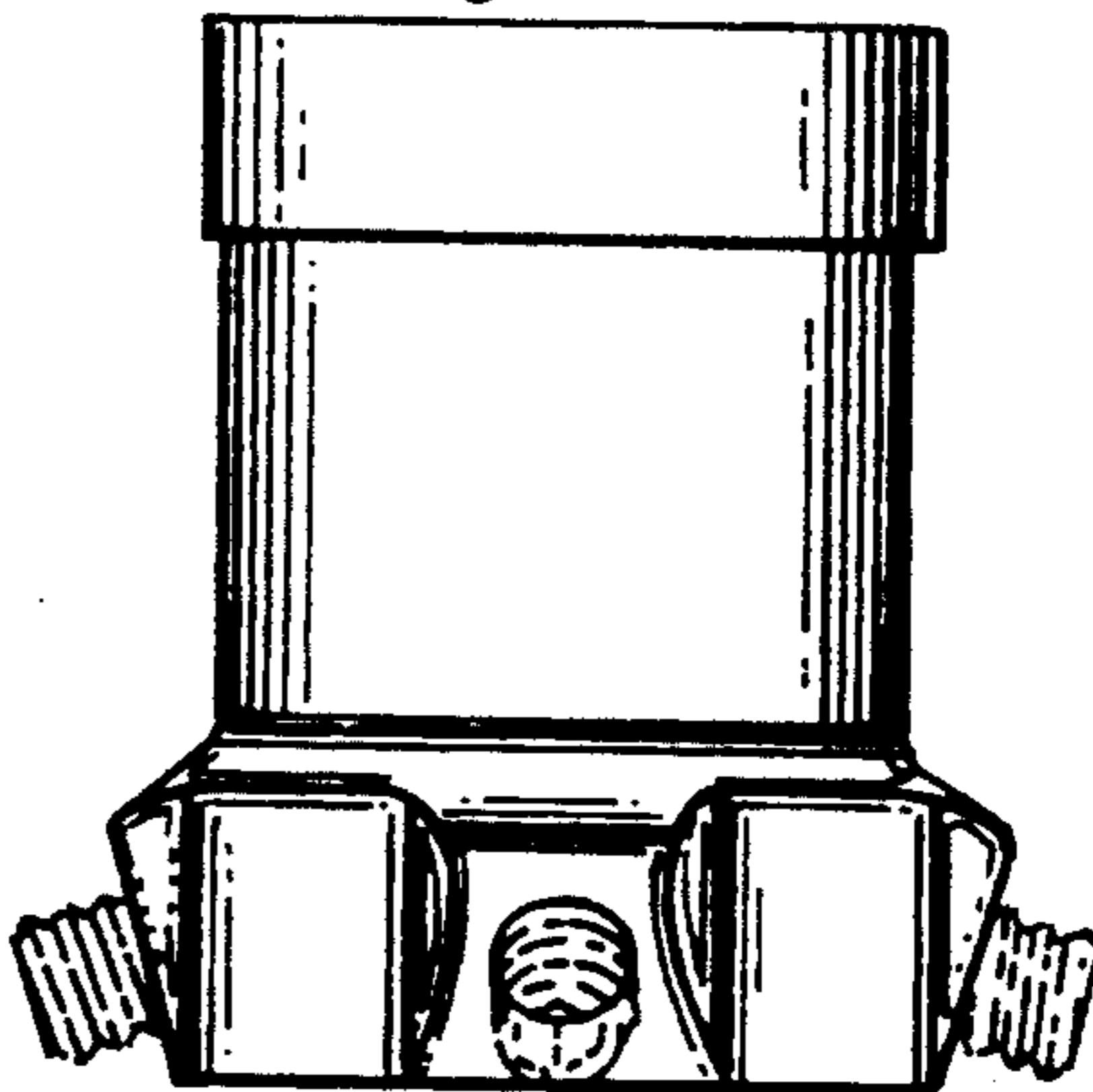


Fig 9

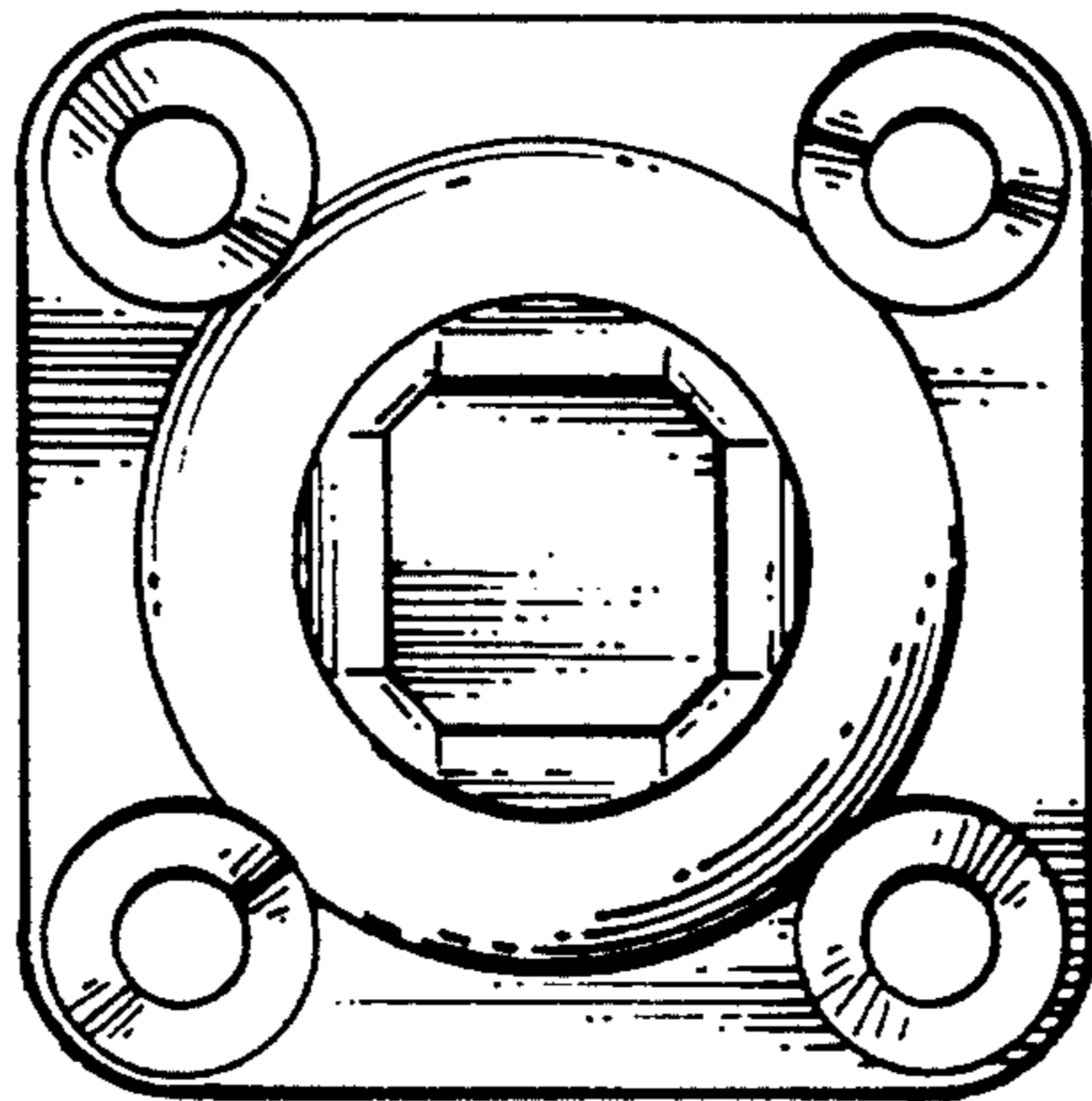


Fig 10



Fig 11

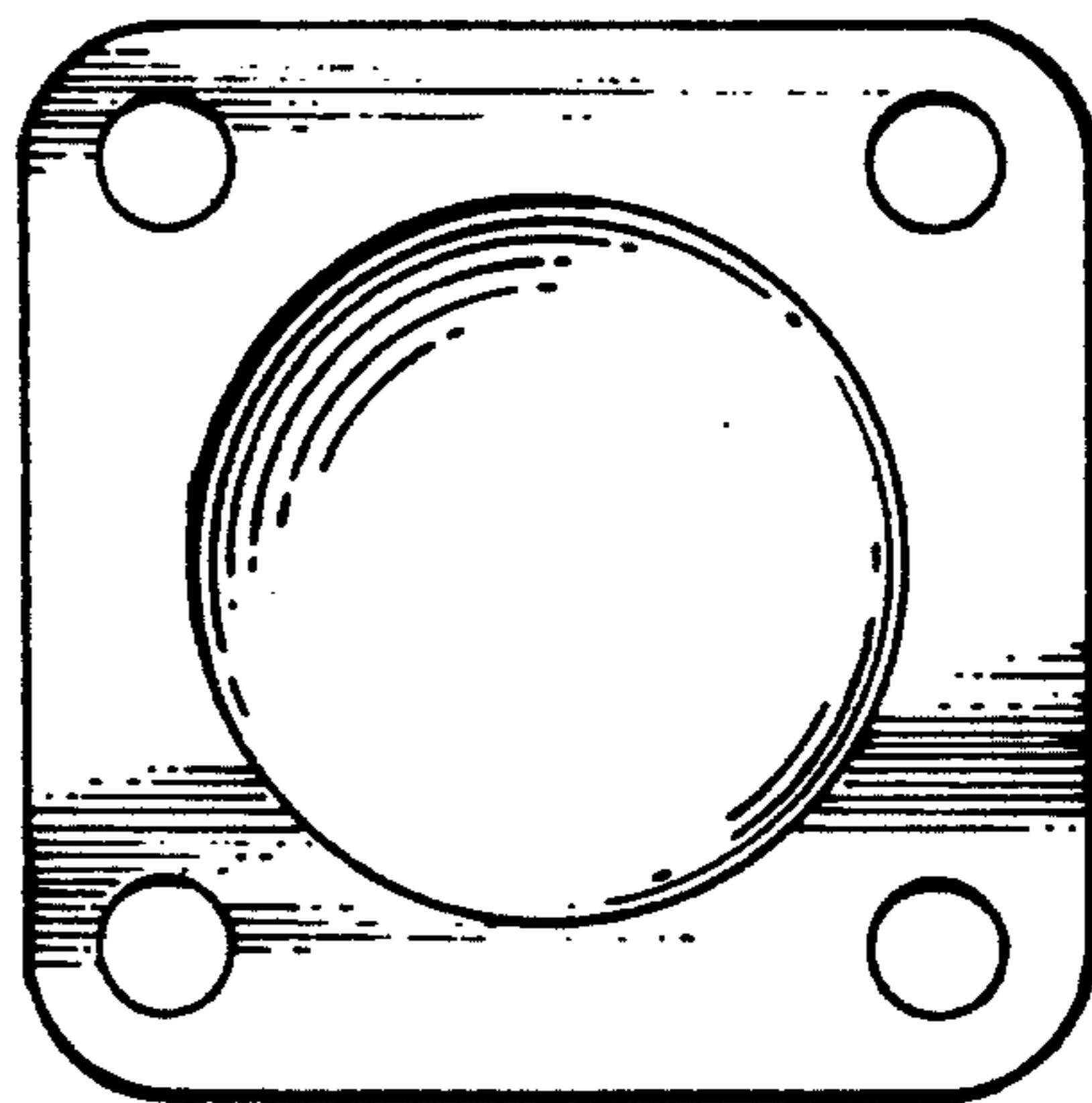


Fig 12

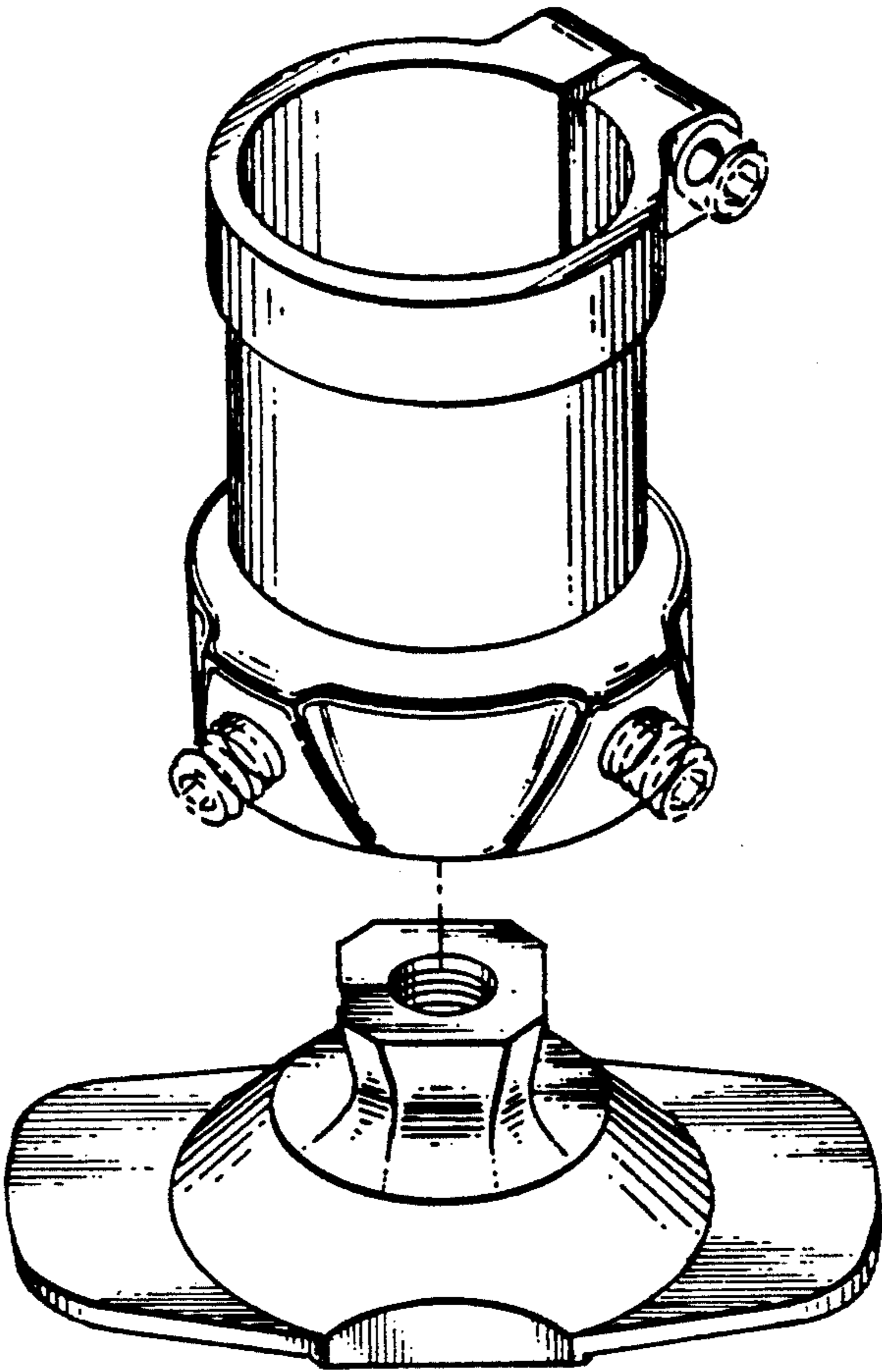


Fig 13

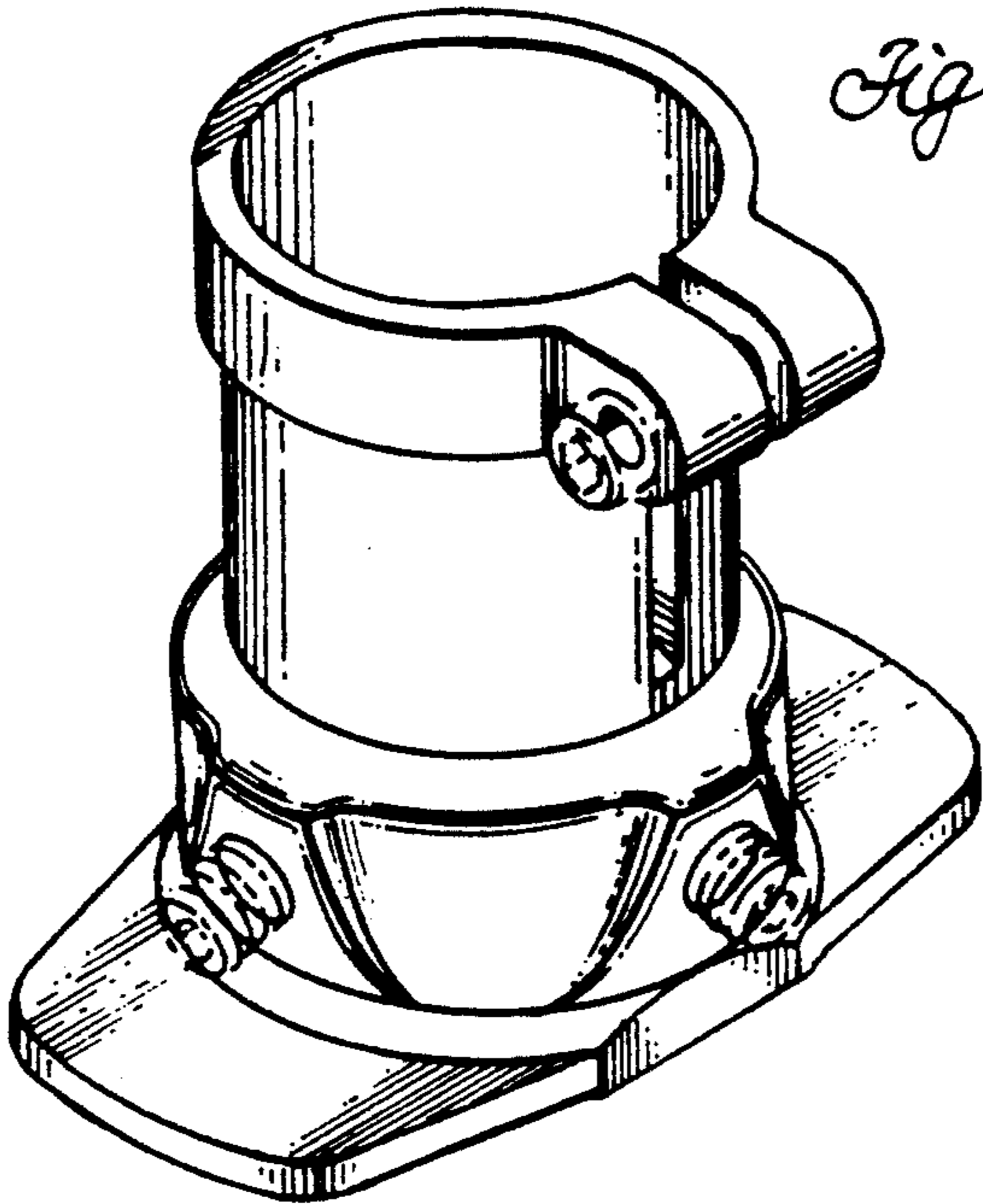


Fig 14

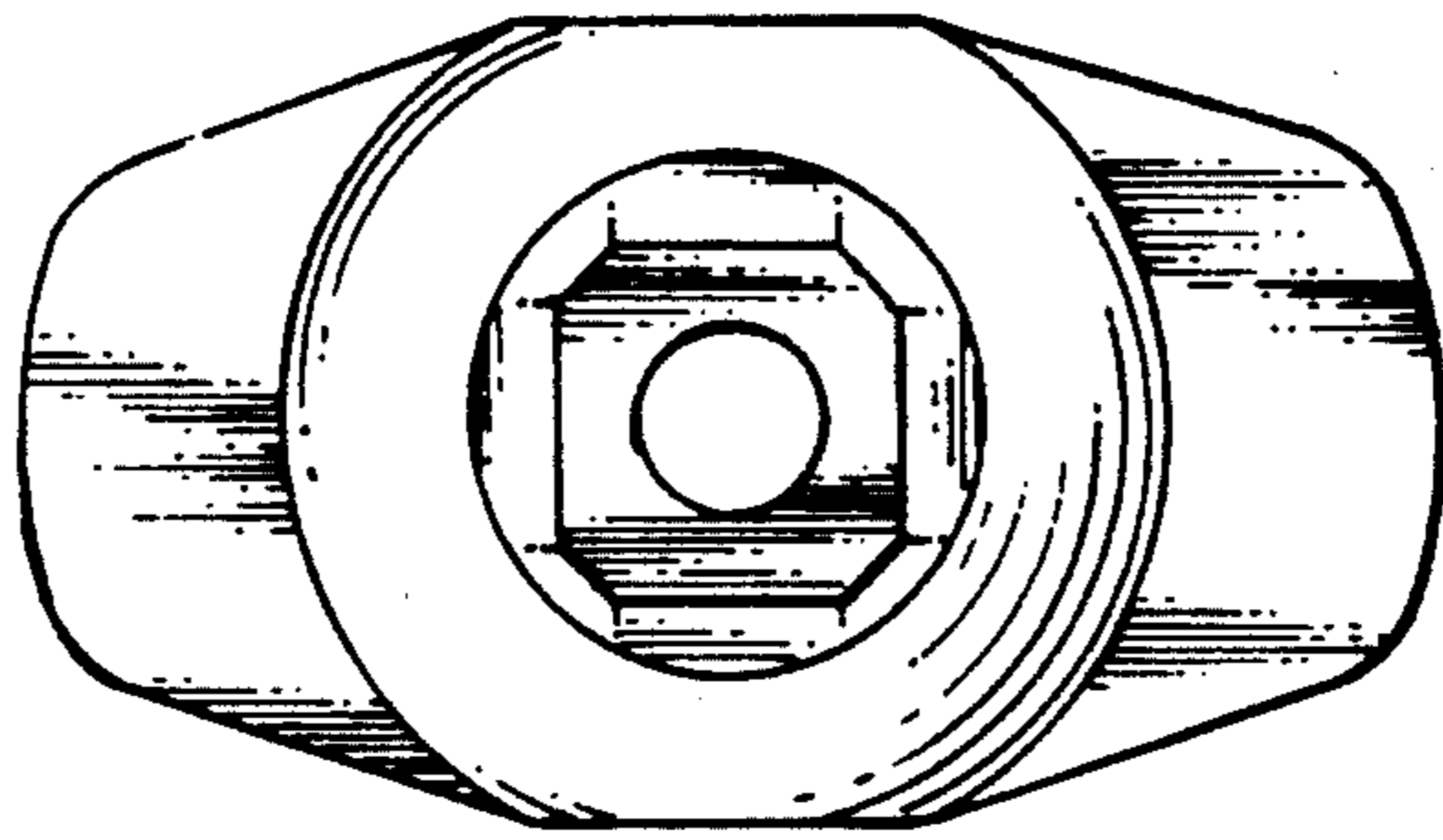


Fig 15

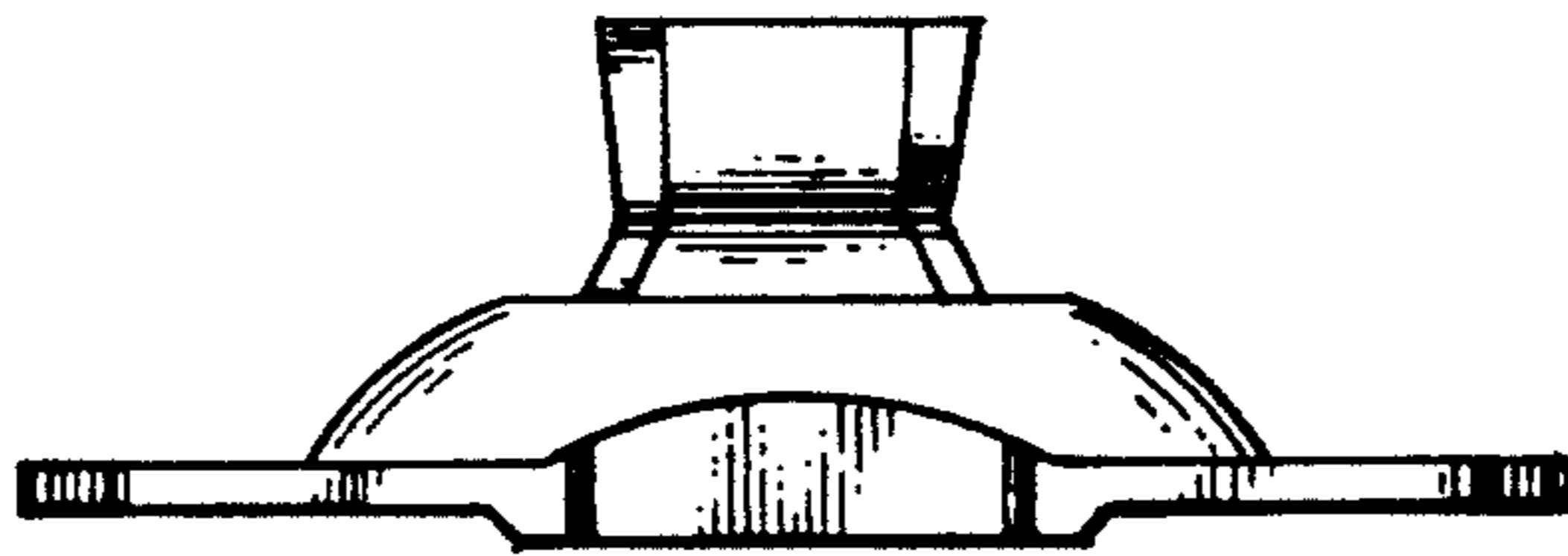


Fig 16

